

US00D533599S

(12) **United States Design Patent**
Bolter

(10) **Patent No.:** **US D533,599 S**

(45) **Date of Patent:** **** Dec. 12, 2006**

(54) **PRECISION TOSSING GAME**

(76) **Inventor:** **Steve W. Bolter**, 8050 Roepke Ct.,
Gregory, MI (US) 48317

(**) **Term:** **14 Years**

(21) **Appl. No.:** **29/210,727**

(22) **Filed:** **Aug. 6, 2004**

(51) **LOC (8) Cl.** **21-01**

(52) **U.S. Cl.** **D21/303**

(58) **Field of Classification Search** D21/300-304;
273/317, 336, 338, 339, 348, 398, 400-402
See application file for complete search history.

(56) **References Cited**

U.S. PATENT DOCUMENTS

2,050,914 A	8/1936	Anderson	
2,204,078 A *	6/1940	Ferrary	273/336
D245,931 S	9/1977	Alter et al.	
4,717,156 A	1/1988	Wright	
4,877,256 A	10/1989	Falloon	
4,968,041 A	11/1990	Calvo	
5,067,727 A *	11/1991	Crompton	273/336
5,123,656 A *	6/1992	Green	273/400

D341,381 S	* 11/1993	Niebling	D21/303
D341,382 S	* 11/1993	Deming et al.	D21/304
5,286,034 A	* 2/1994	Haverkate et al.	273/401
5,382,028 A	1/1995	Sciandra et al.	
D375,529 S	* 11/1996	Kohler	D21/303
D378,687 S	* 4/1997	Clark et al.	D21/304
D388,127 S	* 12/1997	Cavallone, Sr.	D21/304
D428,061 S	7/2000	Billodeau et al.	

* cited by examiner

Primary Examiner—Prabhakar Deshmukh

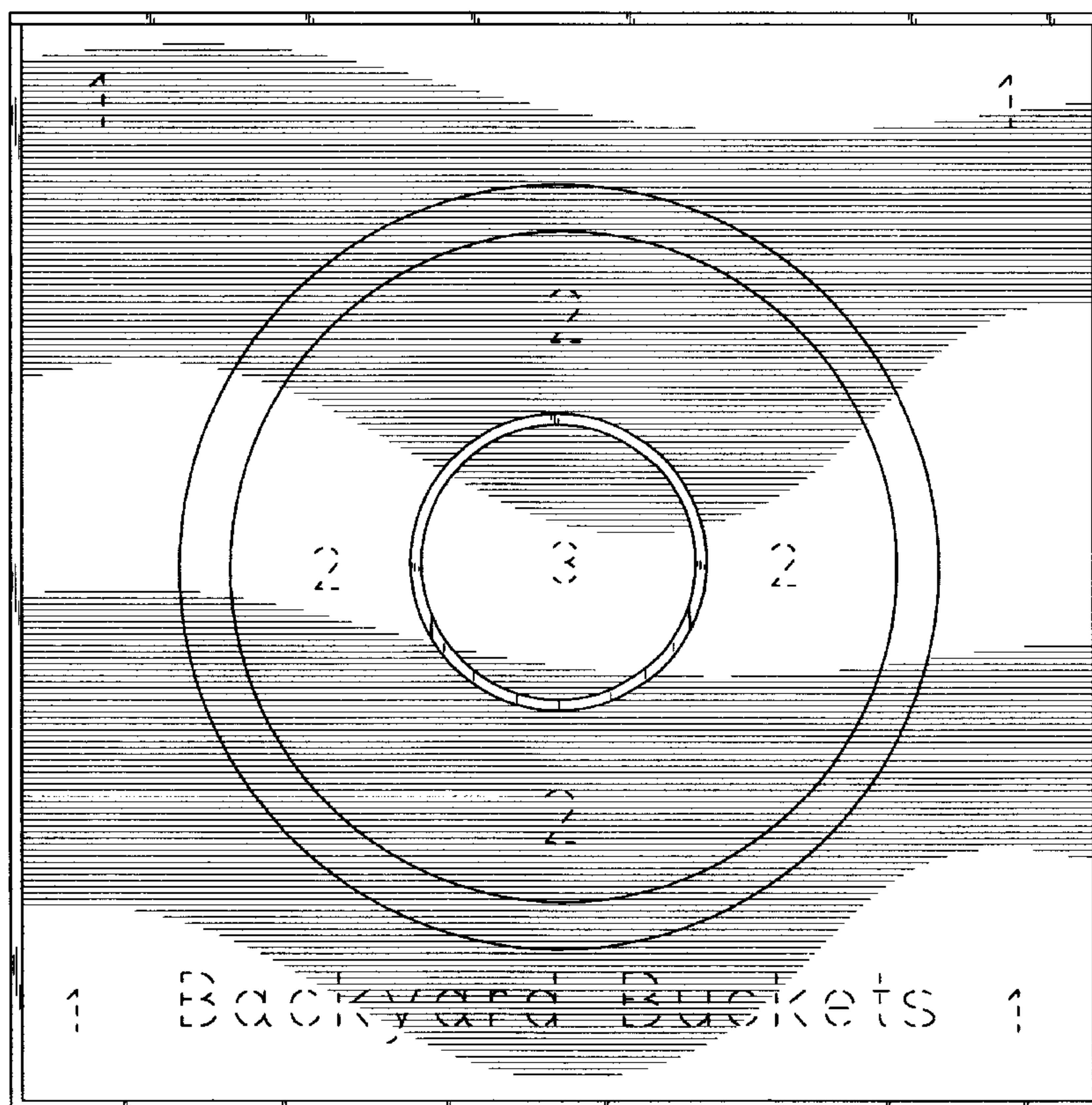
(57) **CLAIM**

The ornamental design for a precision tossing game, as shown and described.

DESCRIPTION

FIG. 1 is a front elevational view of a precision tossing game showing my new design;
FIG. 2 is a rear elevational view thereof;
FIG. 3 is a top plan view thereof;
FIG. 4 is a bottom plan view thereof; and,
FIG. 5 is a side elevational view thereof.
The broken lines showing of indicia are for illustrative purpose only and form no part of the claimed design.

1 Claim, 4 Drawing Sheets



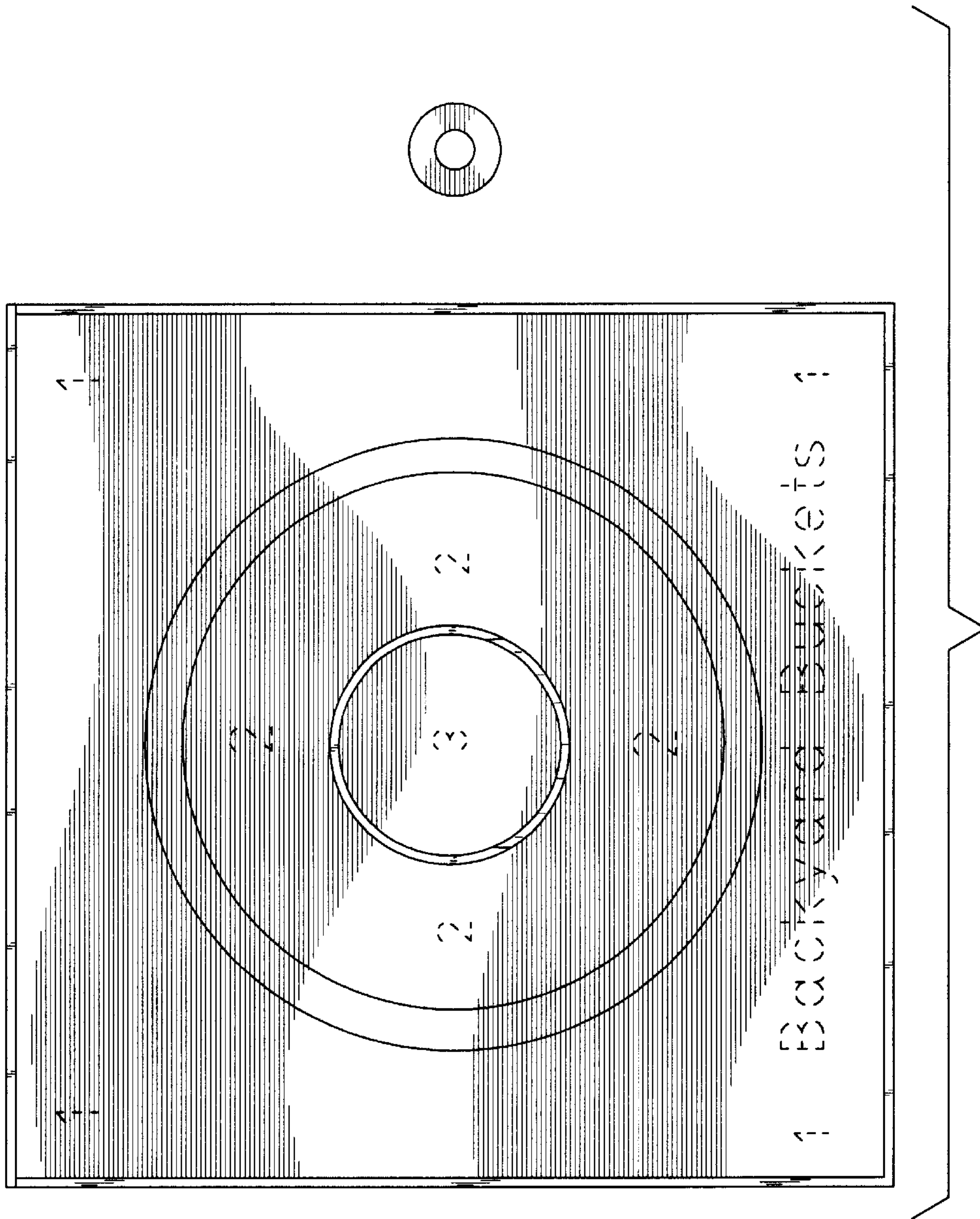
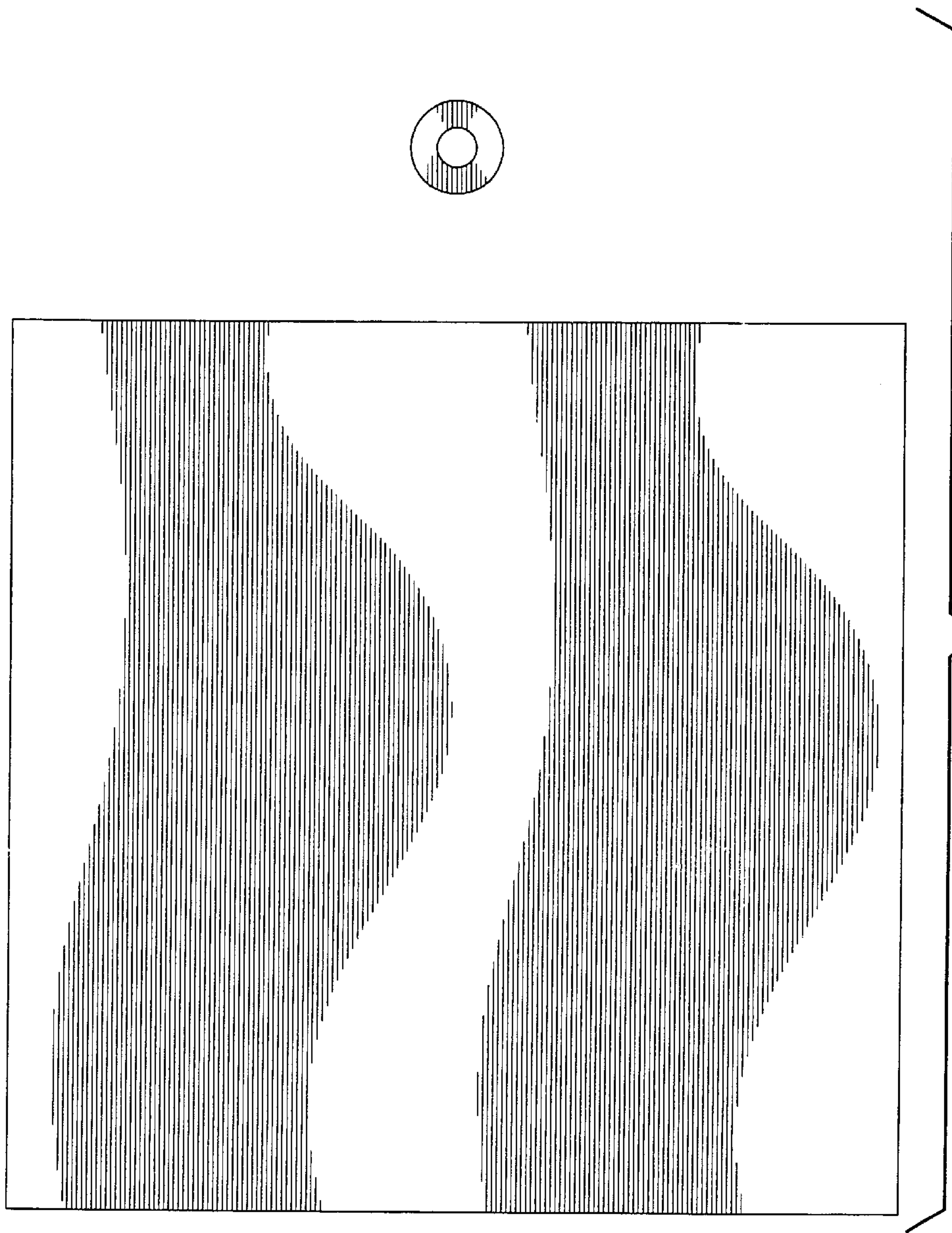


FIG. 1



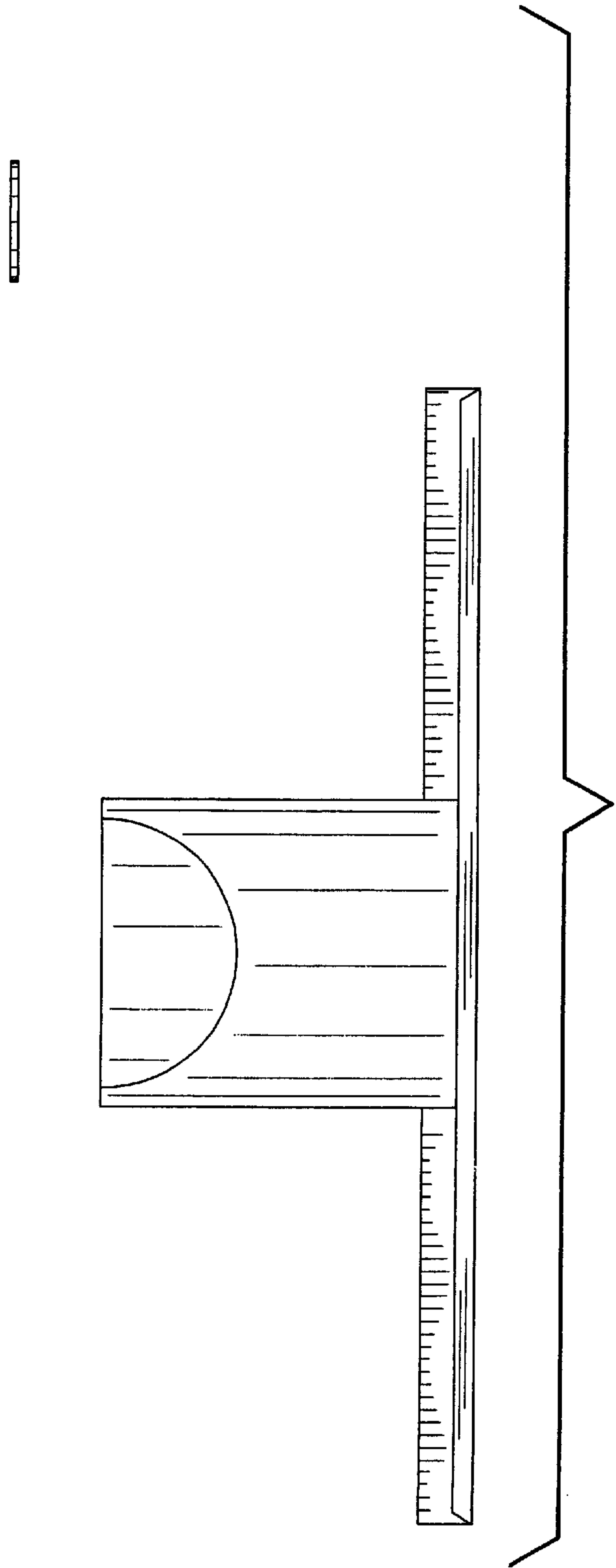


FIG. 3

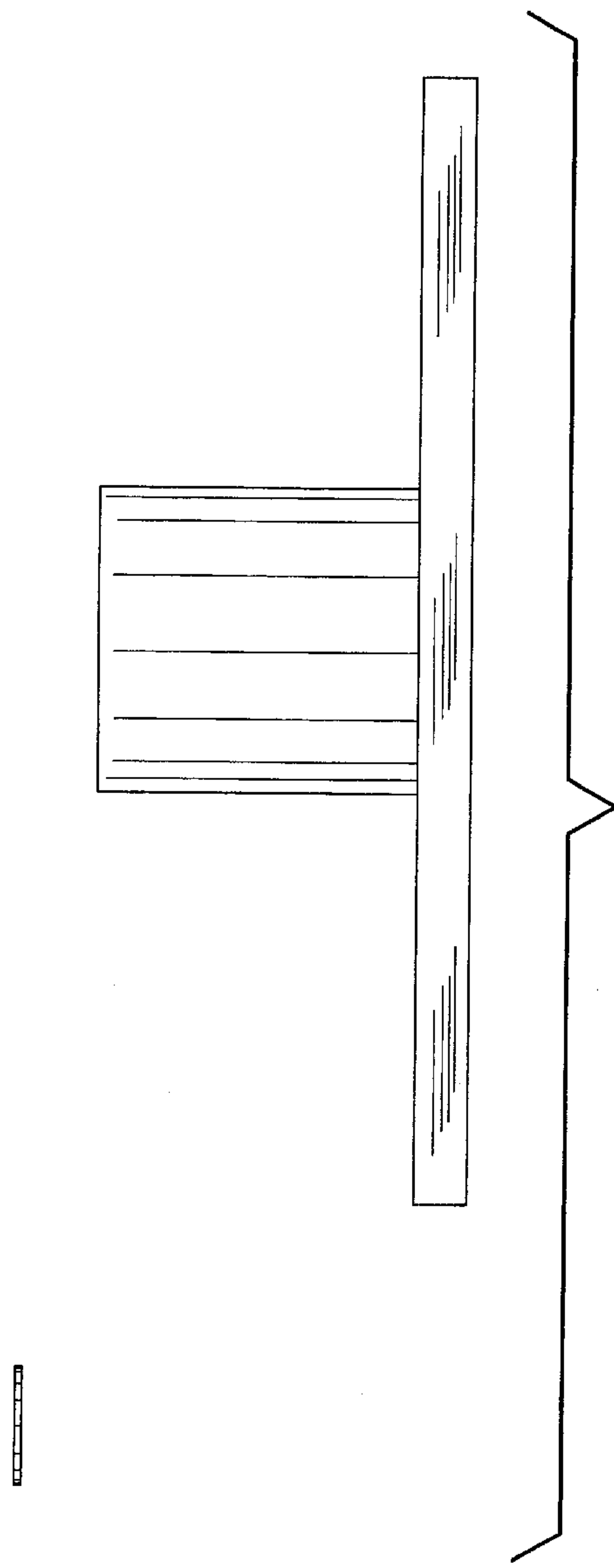


FIG. 4

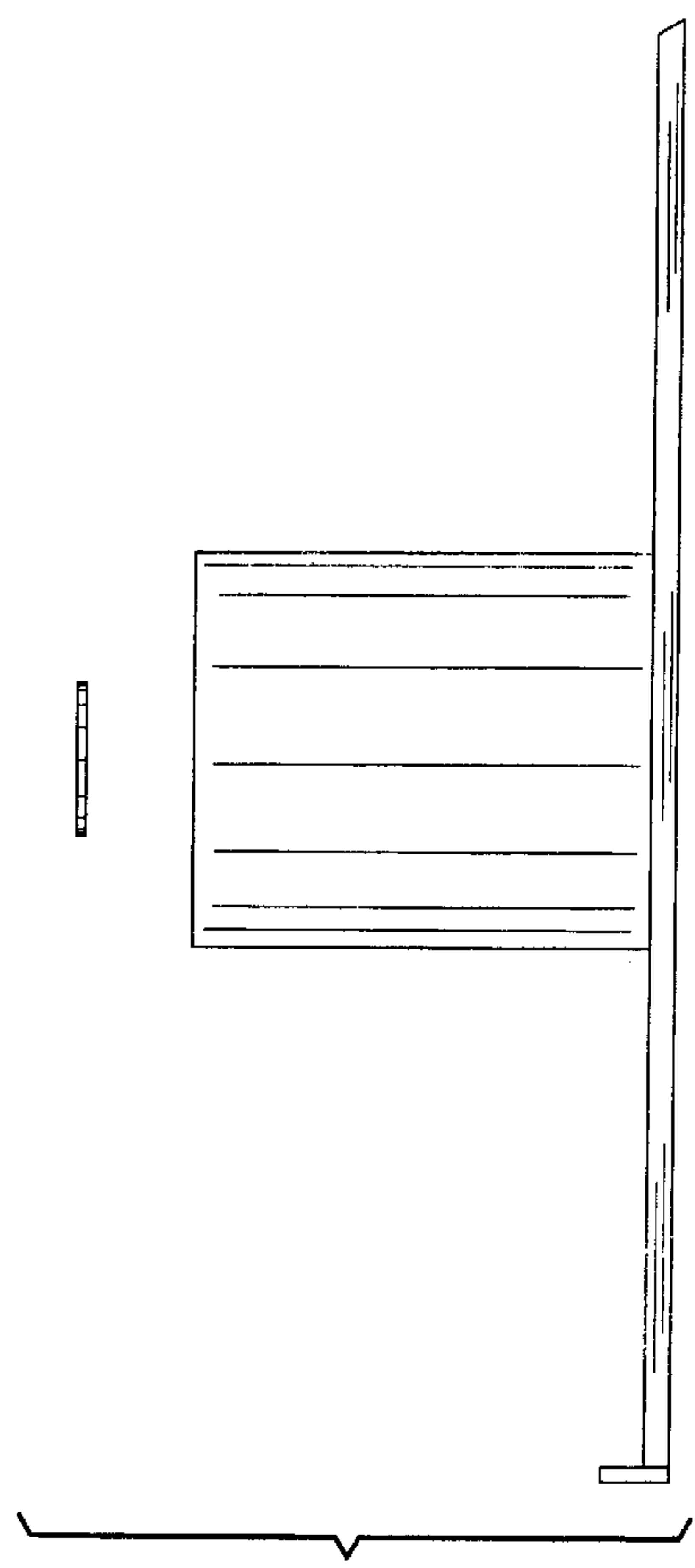


FIG. 5