



US00D533596S

(12) **United States Design Patent**
Braddock et al.

(10) **Patent No.:** **US D533,596 S**

(45) **Date of Patent:** **** Dec. 12, 2006**

(54) **CLIPBOARD**

(75) Inventors: **Bill Braddock**, New York, NY (US);
David Ortiz, New York, NY (US);
Lexie Spiro, New York, NY (US)

(73) Assignee: **The Buzz Group, LLC**, New York, NY (US)

(**) Term: **14 Years**

(21) Appl. No.: **29/219,778**

(22) Filed: **Dec. 22, 2004**

(51) **LOC (8) Cl.** **19-02**

(52) **U.S. Cl.** **D19/88**

(58) **Field of Classification Search** D6/406.3,
D6/420; D19/52, 78, 86, 87, 88, 90, 91, 92;
24/67.3, 67.5, 67.7; 211/50; 248/447, 452;
281/44, 45; 362/99

See application file for complete search history.

(56) **References Cited**

U.S. PATENT DOCUMENTS

D119,267 S * 3/1940 Kemp D19/22
D136,660 S * 11/1943 Kiser D19/78

D310,576 S * 9/1990 Narbut et al. D26/58
D313,819 S * 1/1991 Craft et al. D19/88
D324,399 S * 3/1992 Murphy D19/88
5,287,254 A * 2/1994 Solman 362/98
D383,496 S * 9/1997 Siegel et al. D19/88
D435,042 S * 12/2000 Sun D14/253

* cited by examiner

Primary Examiner—Elizabeth A. Albert

(74) *Attorney, Agent, or Firm*—Hogan & Hartson LLP

(57) **CLAIM**

The ornamental design for a clipboard, as shown and described.

DESCRIPTION

FIG. 1 is a perspective view of the clipboard;
FIG. 2 is a perspective view of the clipboard with a screen pulled forward;
FIG. 3 is a top view of the clipboard;
FIG. 4 is a back view of the clipboard;
FIG. 5 is a first side view of the clipboard;
FIG. 6 is a second side view of the clipboard;
FIG. 7 is a back end view of the clipboard; and,
FIG. 8 is a top end view of the clipboard.

1 Claim, 6 Drawing Sheets

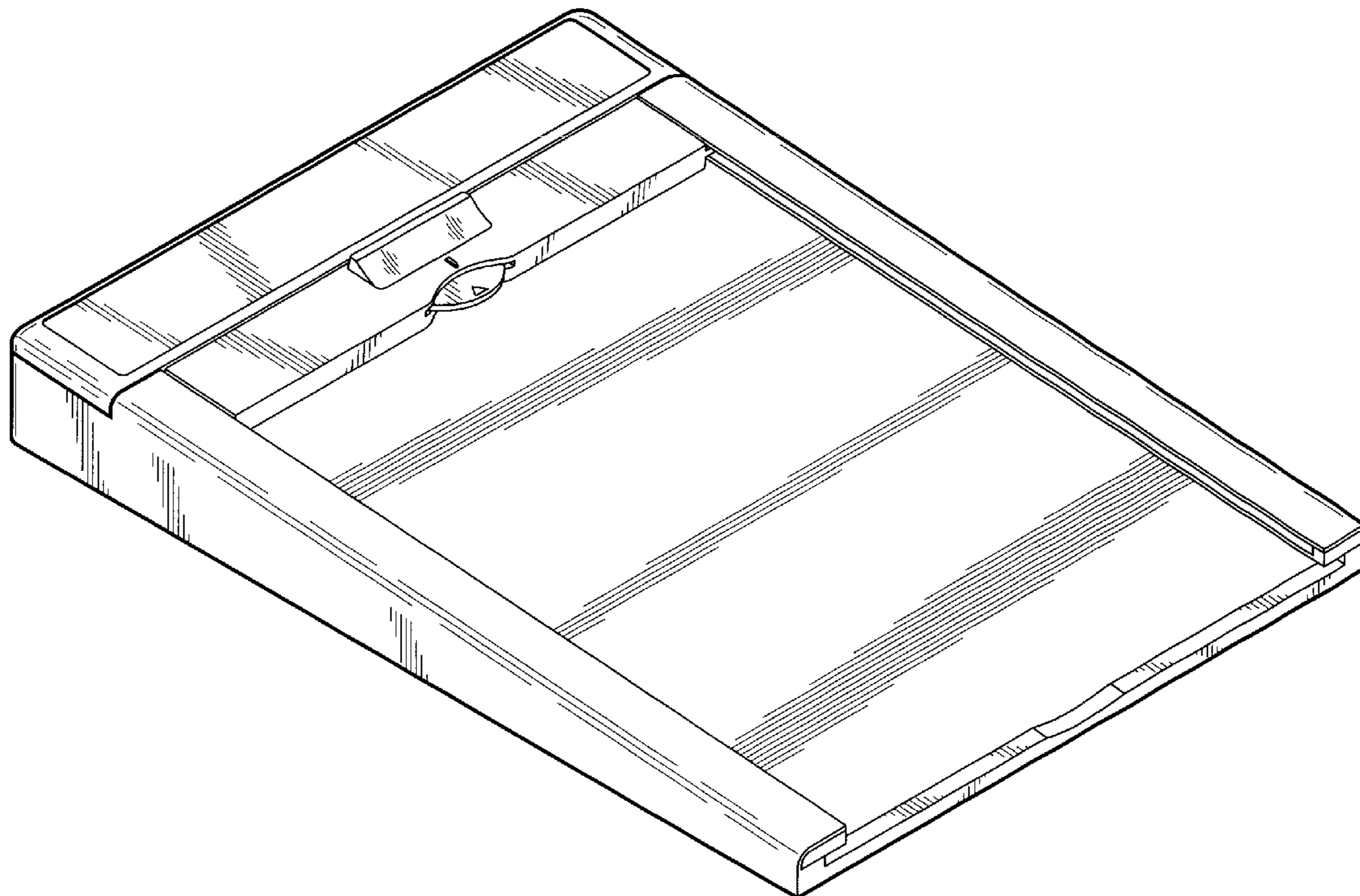


Fig. 1

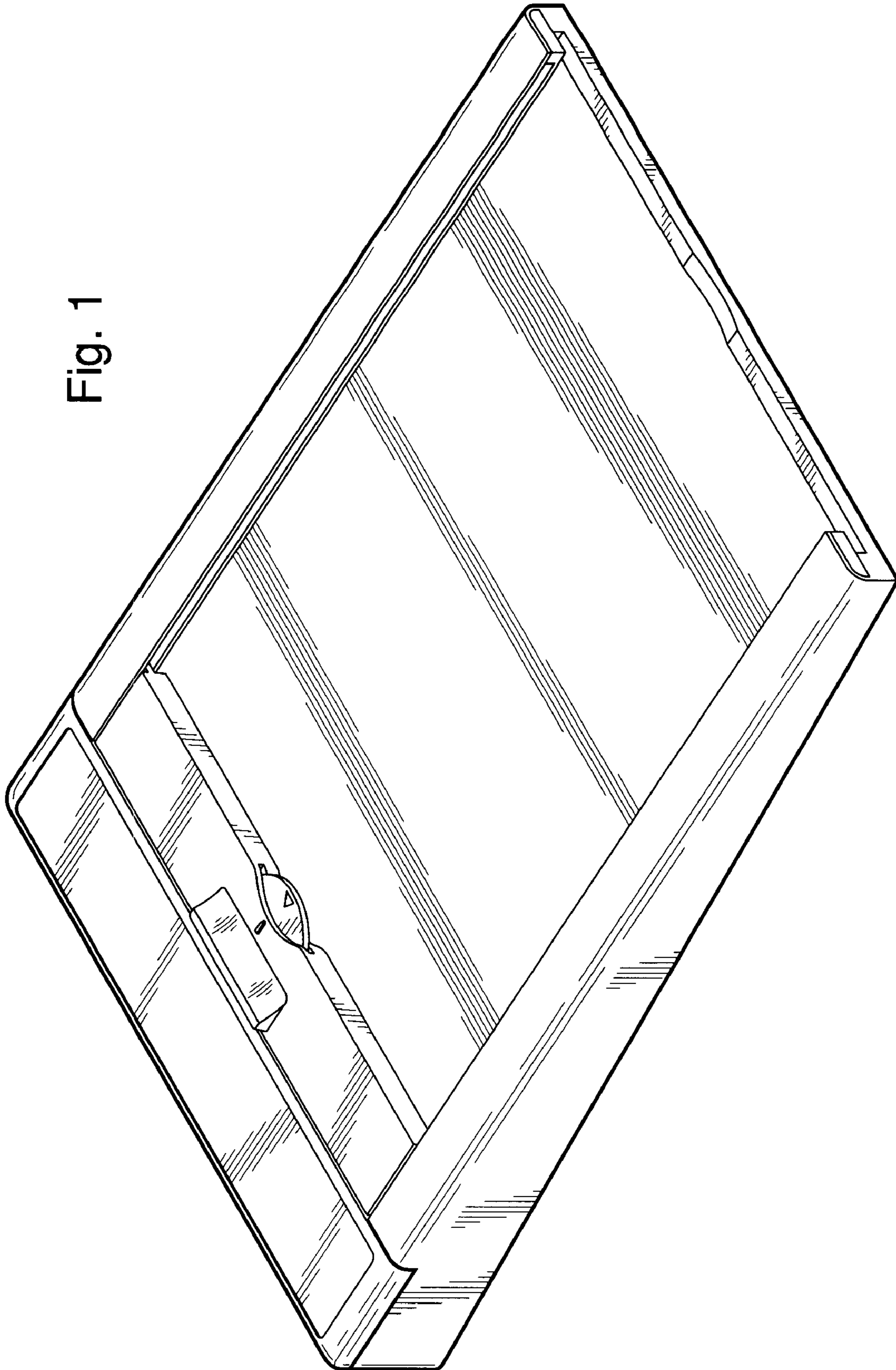


Fig. 2

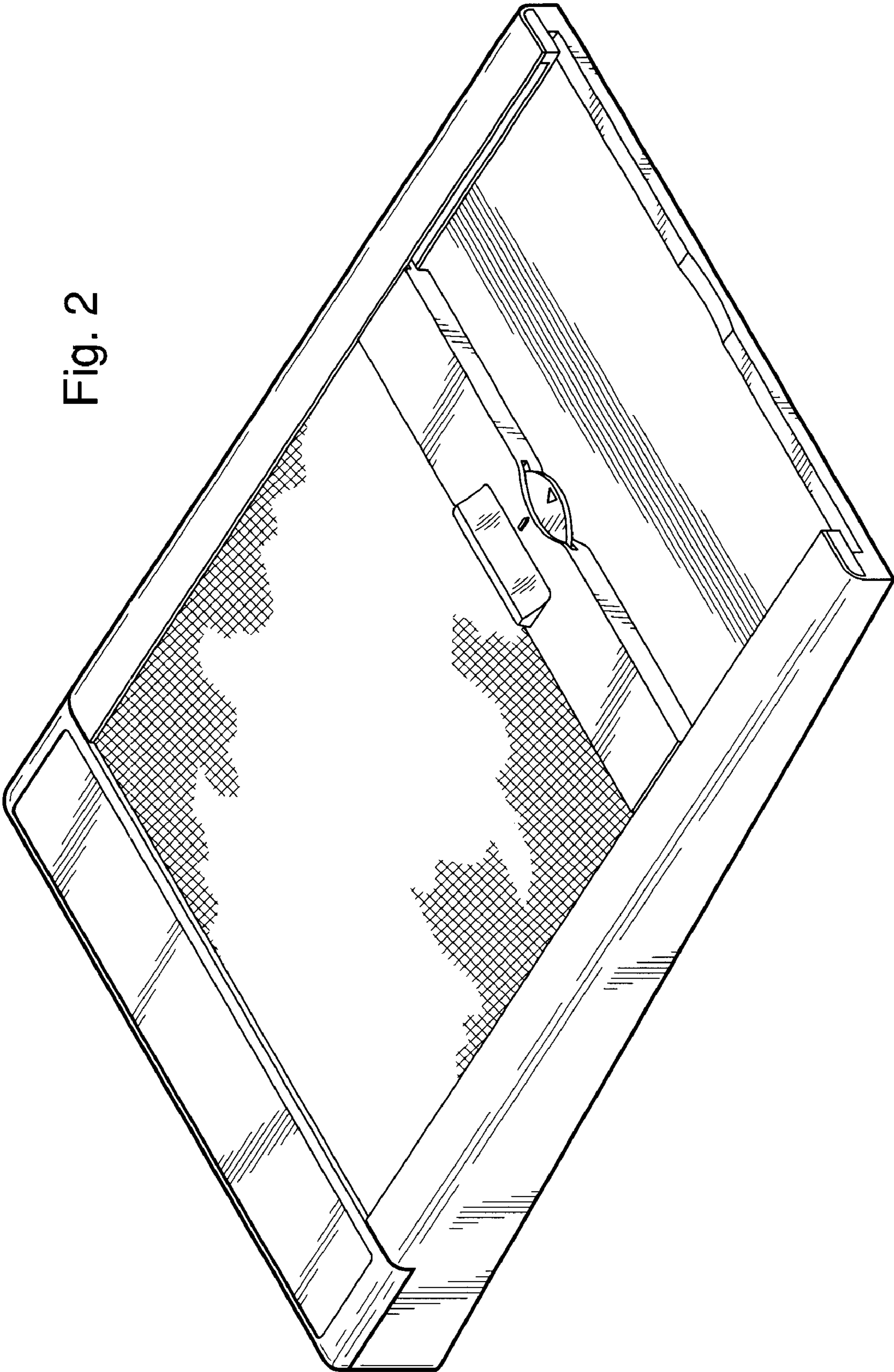


Fig. 3

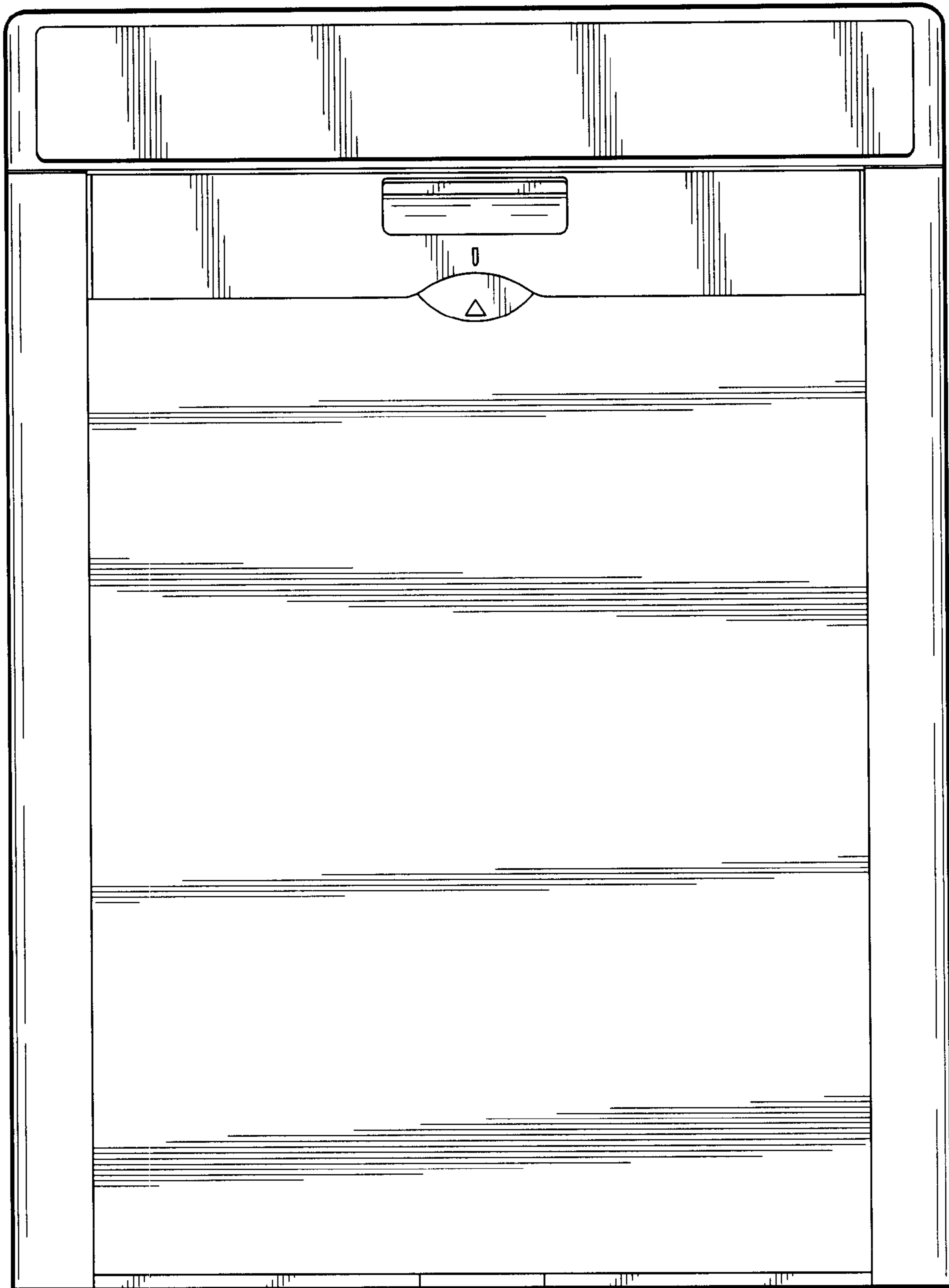


Fig. 4

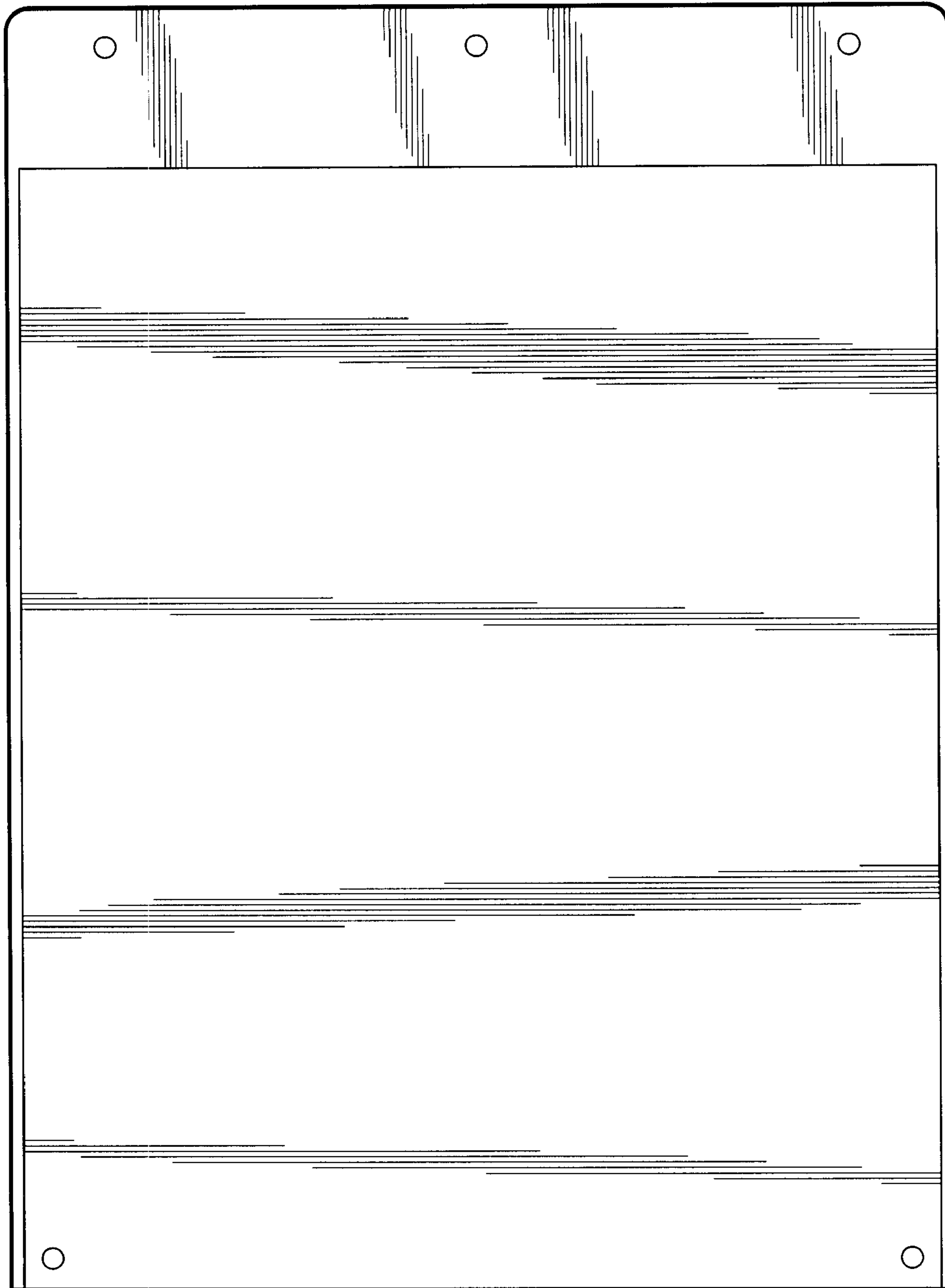


Fig. 5

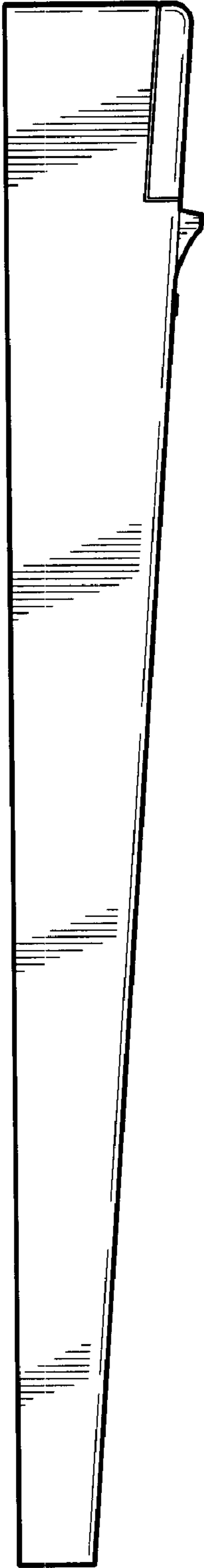


Fig. 6

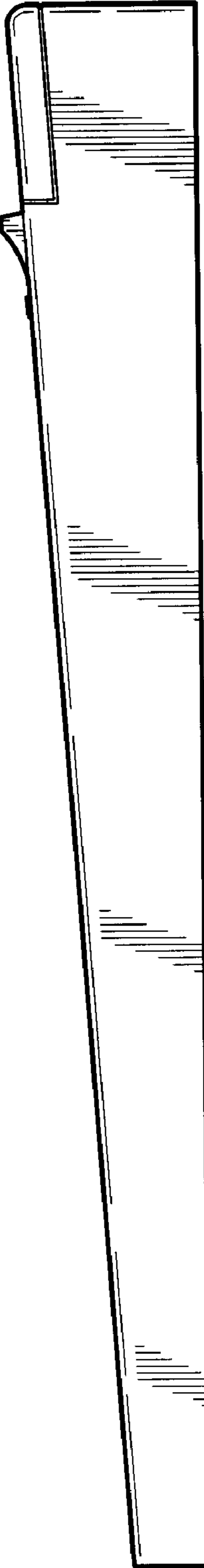


Fig. 7

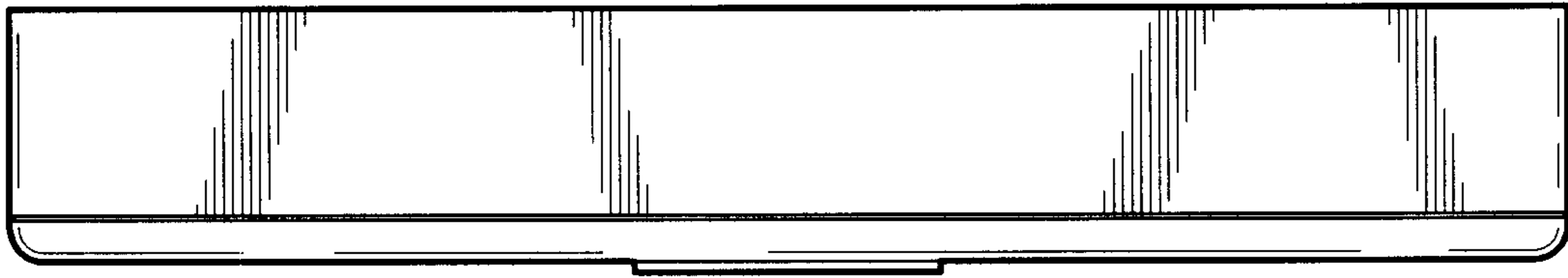


Fig. 8

