



US00D533591S

(12) **United States Design Patent**  
**Togawa**

(10) **Patent No.:** **US D533,591 S**

(45) **Date of Patent:** **\*\* Dec. 12, 2006**

(54) **BALLPOINT PEN**

(75) Inventor: **Keiko Togawa**, Shinjuku-ku (JP)

(73) Assignee: **Zebra Co., Ltd.**, Tokyo (JP)

(\*\*) Term: **14 Years**

(21) Appl. No.: **29/231,478**

(22) Filed: **Jun. 6, 2005**

(30) **Foreign Application Priority Data**

Dec. 9, 2004 (JP) ..... 2004-037636

(51) **LOC (8) Cl.** ..... **19-06**

(52) **U.S. Cl.** ..... **D19/49**

(58) **Field of Classification Search** ..... D19/35,  
D19/36, 41, 42, 43, 44, 45, 46, 47, 48, 49,  
D19/50, 51, 54, 55, 56, 57; 24/11 R, 11 HC,  
24/11 F, 11 P; 401/48, 52, 88, 95, 96, 97,  
401/99, 100, 104-109, 192, 195

See application file for complete search history.

(56) **References Cited**

**U.S. PATENT DOCUMENTS**

D324,543 S	*	3/1992	Poisson	.....	D19/49
D397,150 S	*	8/1998	Izushima	.....	D19/51
D404,428 S	*	1/1999	Takahashi	.....	D19/49
D438,245 S	*	2/2001	Hollington et al.	.....	D19/50
D445,453 S	*	7/2001	Hasegawa	.....	D19/43
D512,458 S	*	12/2005	Shiina	.....	D19/49

\* cited by examiner

*Primary Examiner*—Elizabeth A. Albert

(74) *Attorney, Agent, or Firm*—Senniger Powers

(57) **CLAIM**

The ornamental design for a ballpoint pen, as shown and described.

**DESCRIPTION**

FIG. 1 is a Perspective View of a ballpoint pen showing my new design;

FIG. 2 is a Front Elevation View thereof;

FIG. 3 is a Rear Elevation View thereof;

FIG. 4 is a Left Side View thereof;

FIG. 5 is a Right Side View thereof;

FIG. 6 is a Top Plan View thereof;

FIG. 7 is a Bottom Plan View thereof;

FIG. 8 is a Cross-Sectional View taken along the line 8—8 in FIG. 6;

FIG. 9 is an enlarged cross-sectional view taken along the line 9—9 in FIG. 2;

FIG. 10 is an enlarged cross-sectional view taken along the line 10—10 in FIG. 2;

FIG. 11 is a front elevation view thereof, lined for transparency, the clip also being transparent;

FIG. 12 is another right side view thereof, lined for transparency;

FIG. 13 is a front elevation view thereof, shown in a state of use; and,

FIG. 14 is an enlarged cross-sectional view thereof, taken along the line 14—14 in FIG. 13, shown in a state of use.

**1 Claim, 5 Drawing Sheets**



FIG. 1

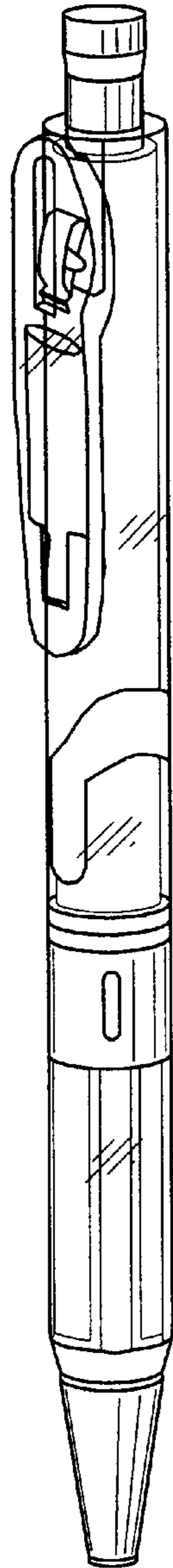


FIG. 2

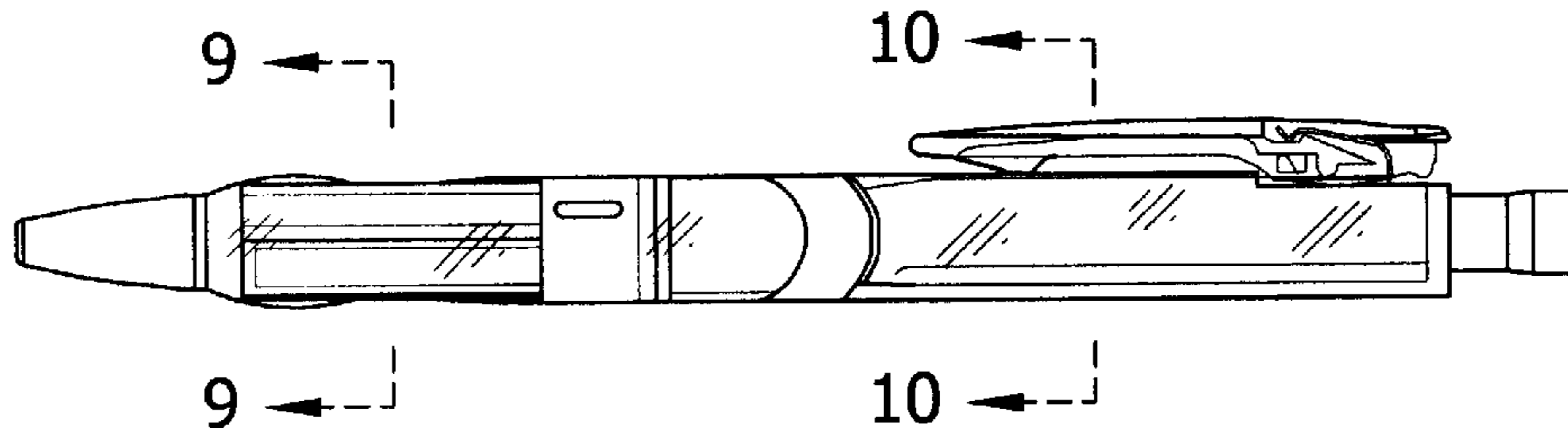


FIG. 3

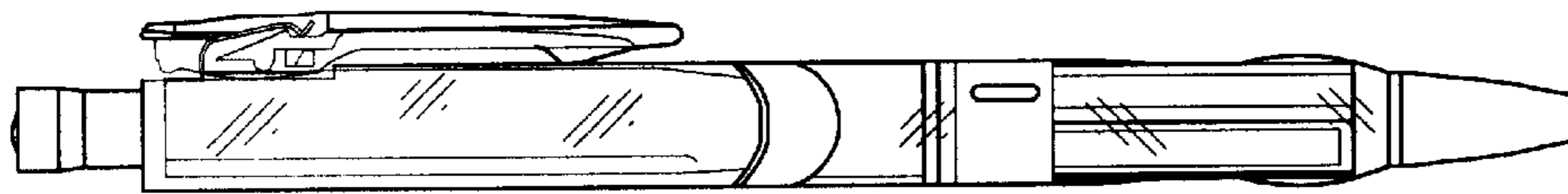


FIG. 4

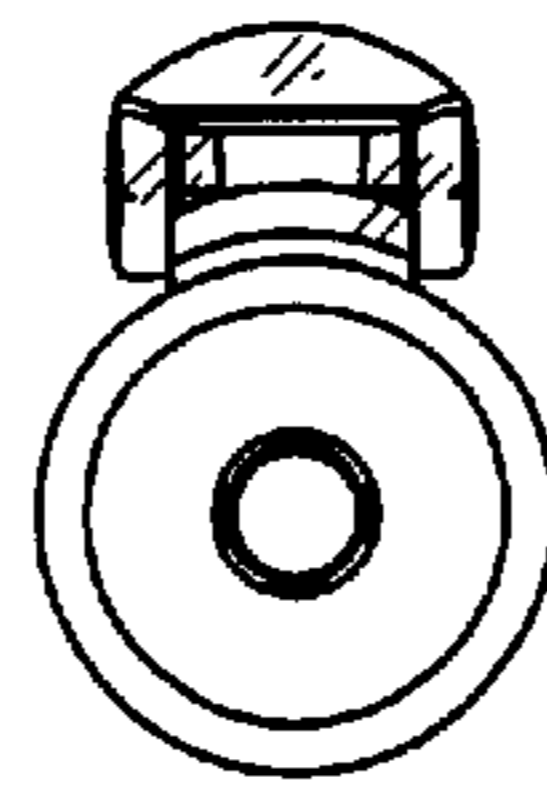


FIG. 5

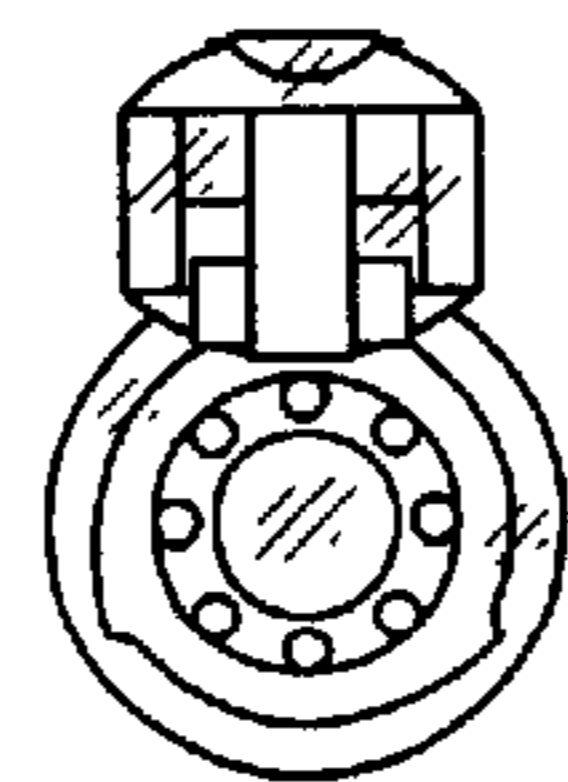


FIG. 6

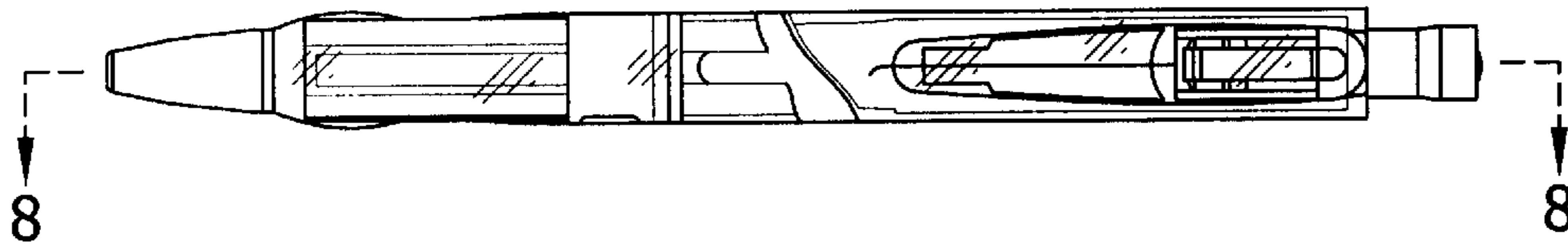


FIG. 7



FIG. 8

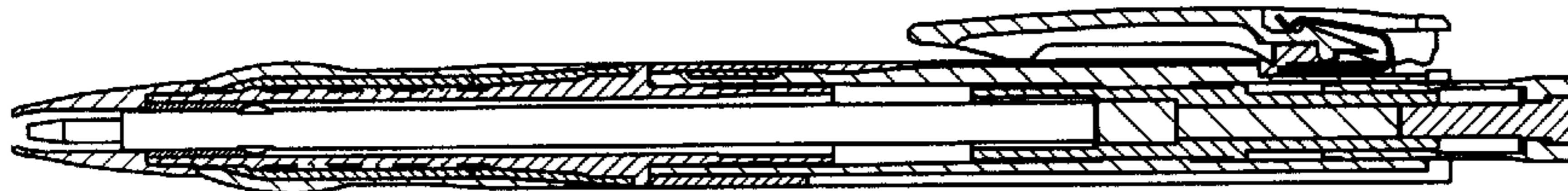


FIG. 9

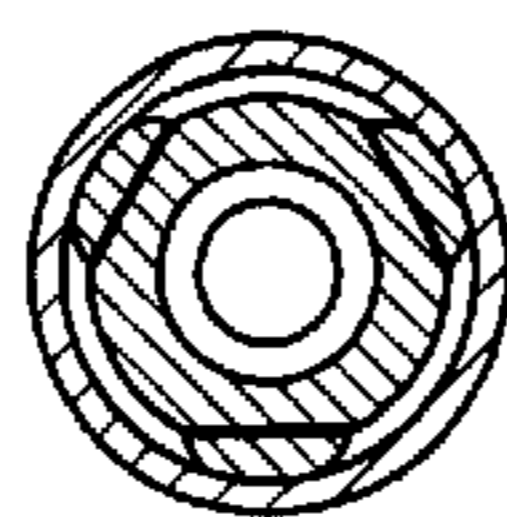


FIG. 10

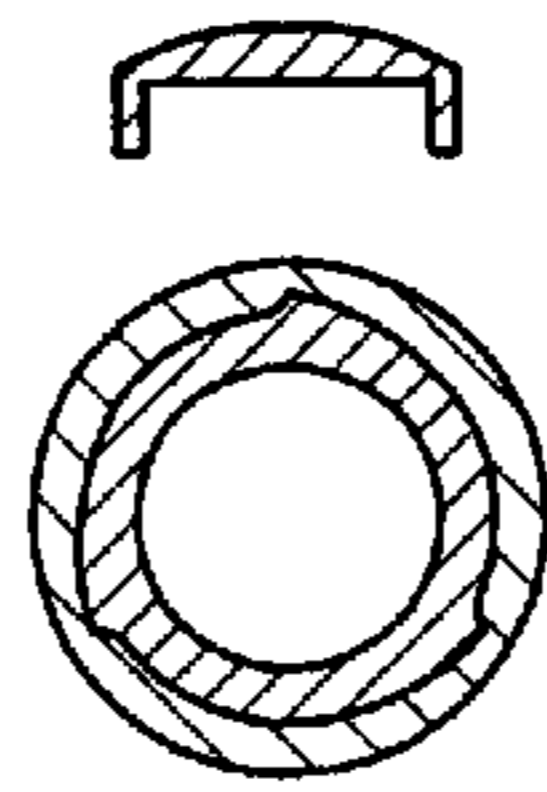


FIG. 11

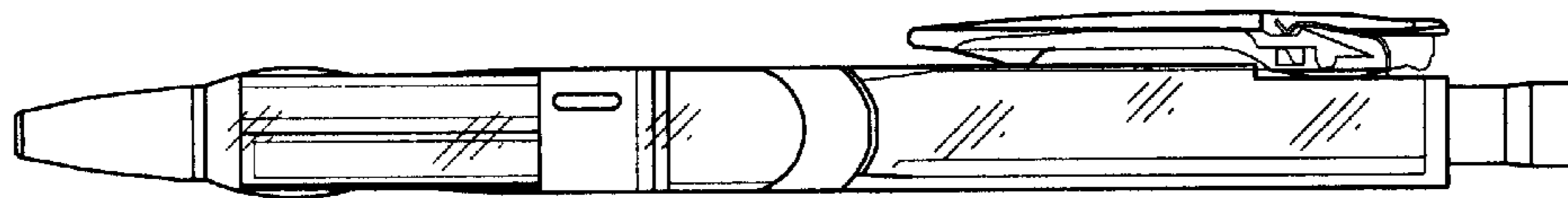


FIG. 12

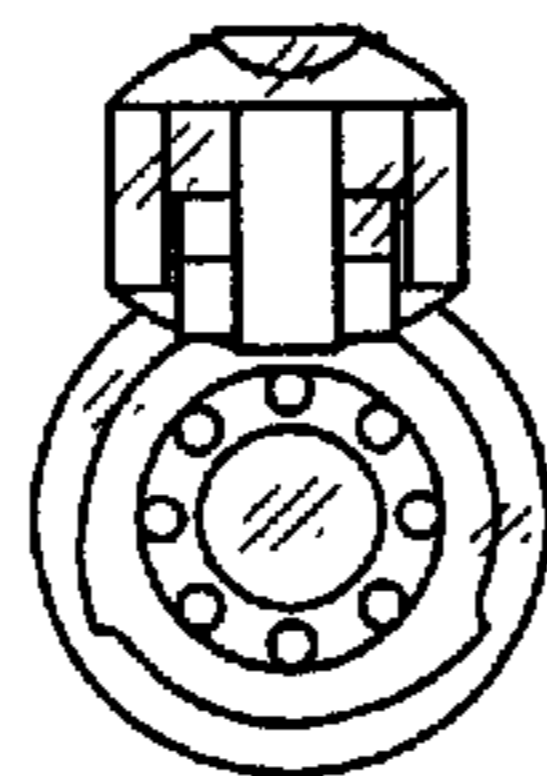


FIG. 13

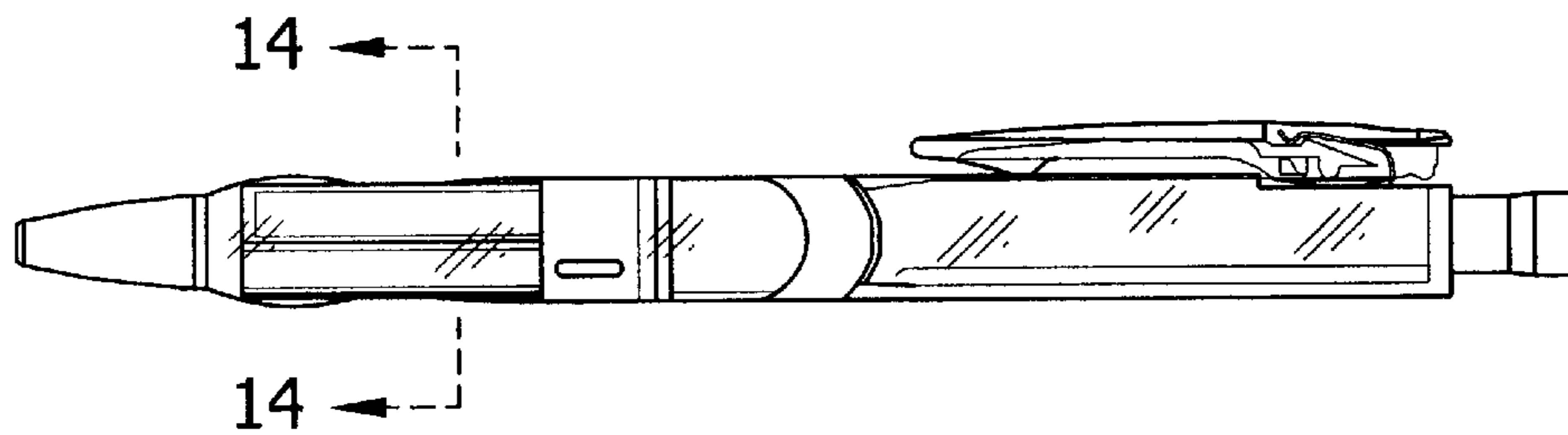


FIG. 14

