



US00D533587S

(12) **United States Design Patent**
Andoh

(10) **Patent No.:** **US D533,587 S**

(45) **Date of Patent:** **** Dec. 12, 2006**

(54) **CARTRIDGE**

(75) **Inventor:** **Kikuo Andoh**, Odawara (JP)

(73) **Assignee:** **Fuji Photo Film Co., Ltd.**,
Minamiashigara (JP)

(**) **Term:** **14 Years**

(21) **Appl. No.:** **29/196,669**

(22) **Filed:** **Jan. 5, 2004**

(30) **Foreign Application Priority Data**

Jul. 7, 2003 (JP) 2003-019495

(51) **LOC (8) Cl.** **18-02**

(52) **U.S. Cl.** **D18/56; 347/86**

(58) **Field of Classification Search** D18/40,
D18/43, 56; 347/86, 87; D9/560

See application file for complete search history.

(56) **References Cited**

U.S. PATENT DOCUMENTS

D237,583 S	*	11/1975	Kemp	D9/684
D290,225 S	*	6/1987	Carlson	D9/521
D292,267 S	*	10/1987	Costa	D9/747
5,022,547 A	*	6/1991	Spangler et al.	220/23.4
6,183,075 B1	*	2/2001	Sasaki	347/86
6,216,942 B1	*	4/2001	Kittscher	229/4.5
D475,296 S	*	6/2003	Lee	D9/560

6,698,872 B1	*	3/2004	Hou et al.	347/86
D494,851 S	*	8/2004	Uchiyama	D18/43
D500,681 S	*	1/2005	Uchiyama	D9/560
D501,138 S	*	1/2005	Uchiyama	D9/439

* cited by examiner

Primary Examiner—Cathy Anne MacCormac

(74) *Attorney, Agent, or Firm*—Oliff & Berridge, PLC

(57) **CLAIM**

The ornamental design for a cartridge, as shown and described.

DESCRIPTION

The nature of this product is a cartridge comprising a cardboard cartridge box containing (3) replenisher containers in a row for replenishing processing solution to an automatic processor. The cartridge is flipped upside down and inserted into an automatic processor, allowing one-step exchange of the cartridge. The cartridge supplies the solution, is used, and removed as is.

FIG. 1 is a perspective view of the cartridge;

FIG. 2 is a front view thereof;

FIG. 3 is a right side view thereof;

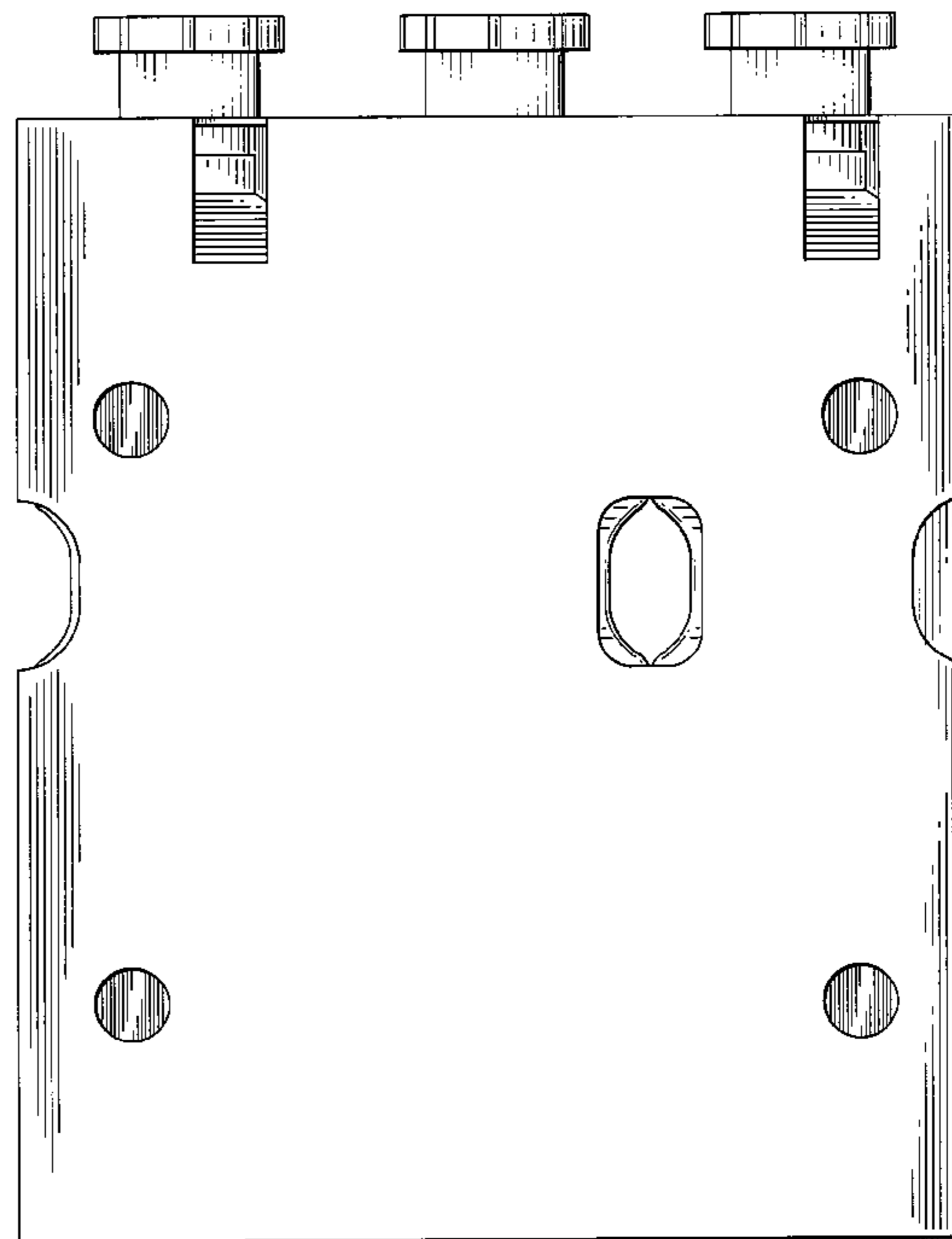
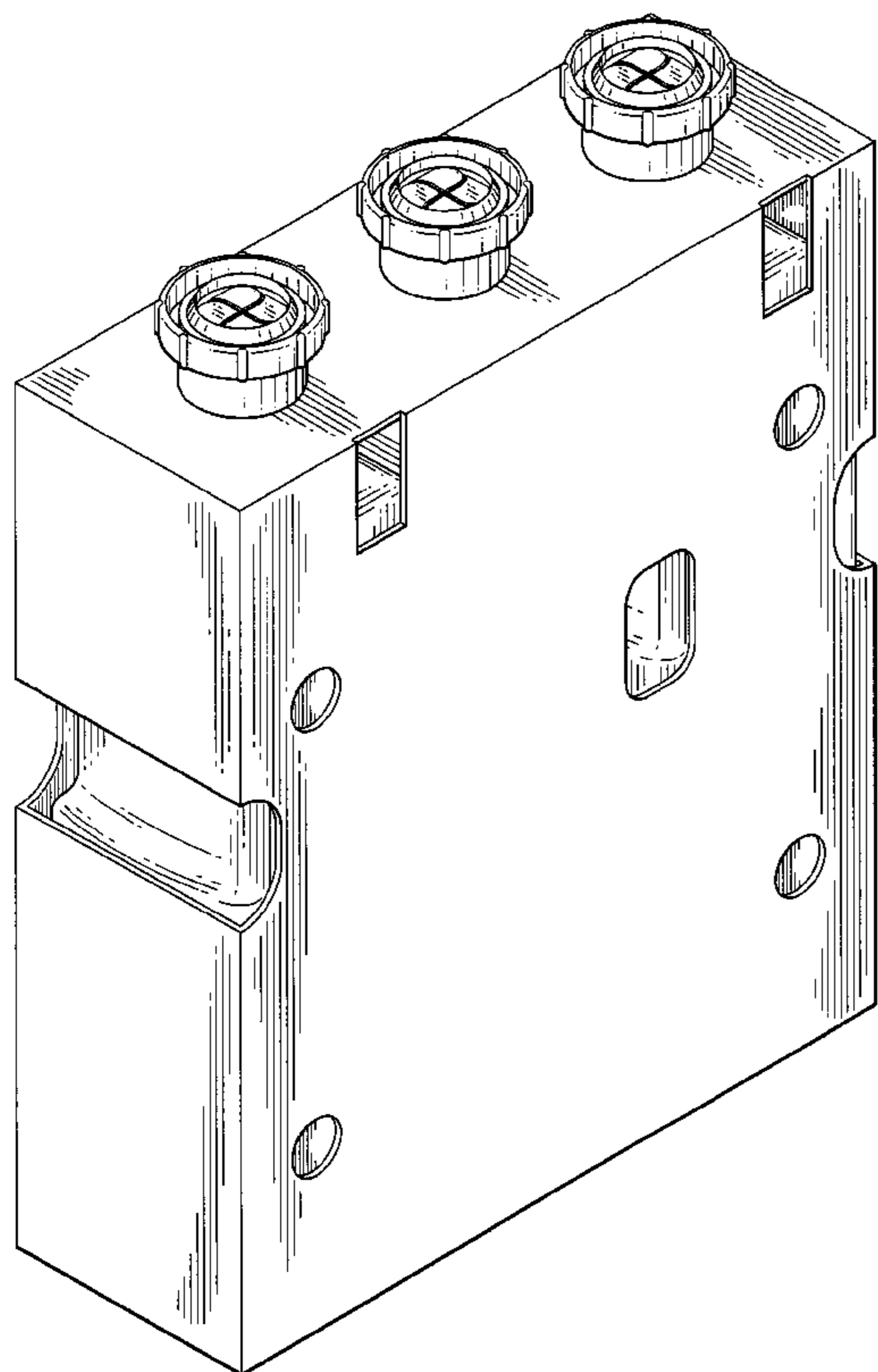
FIG. 4 is a left side view thereof;

FIG. 5 is a top view thereof; and,

FIG. 6 is a bottom view thereof.

The rear view is not part of the claimed design.

1 Claim, 5 Drawing Sheets



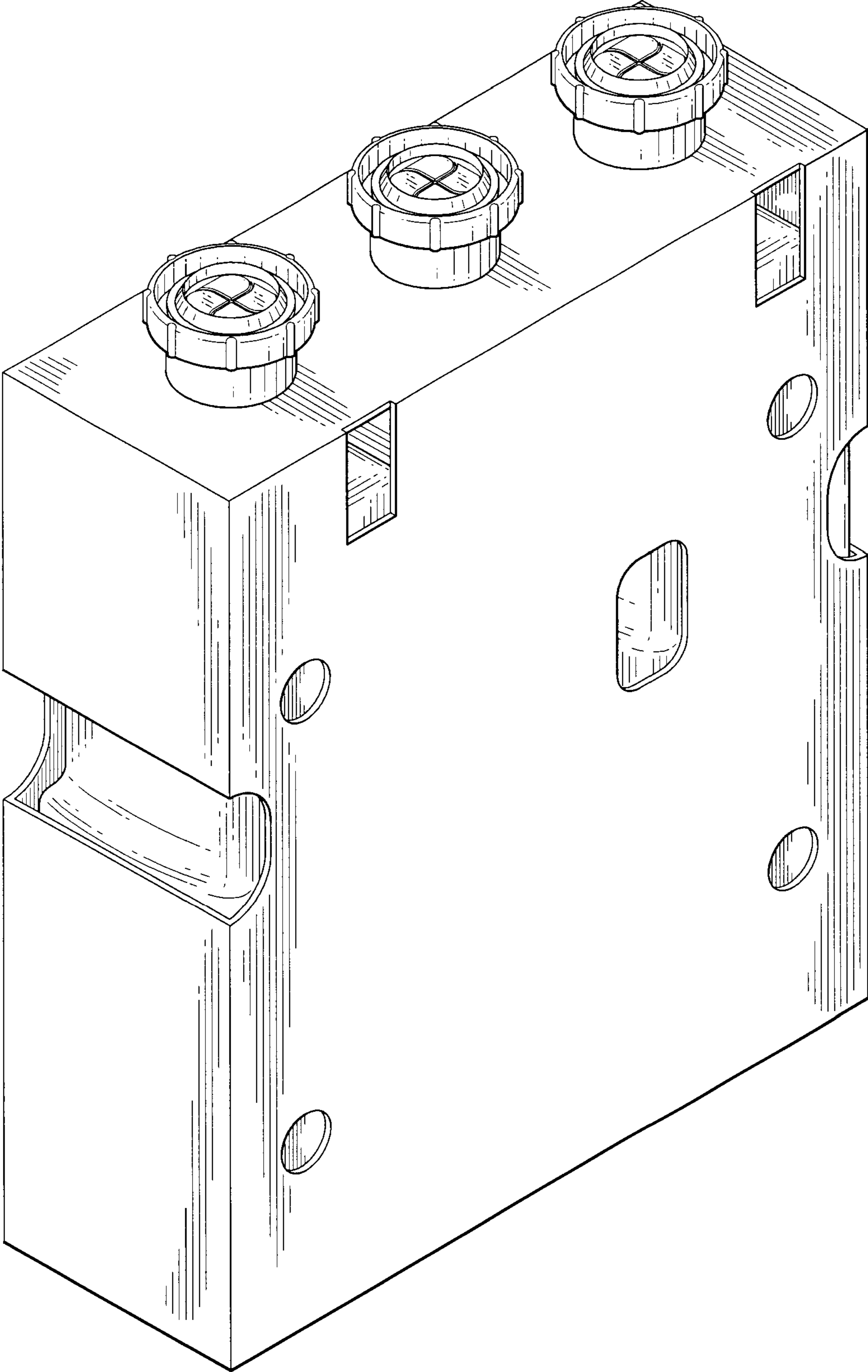


FIG. 1

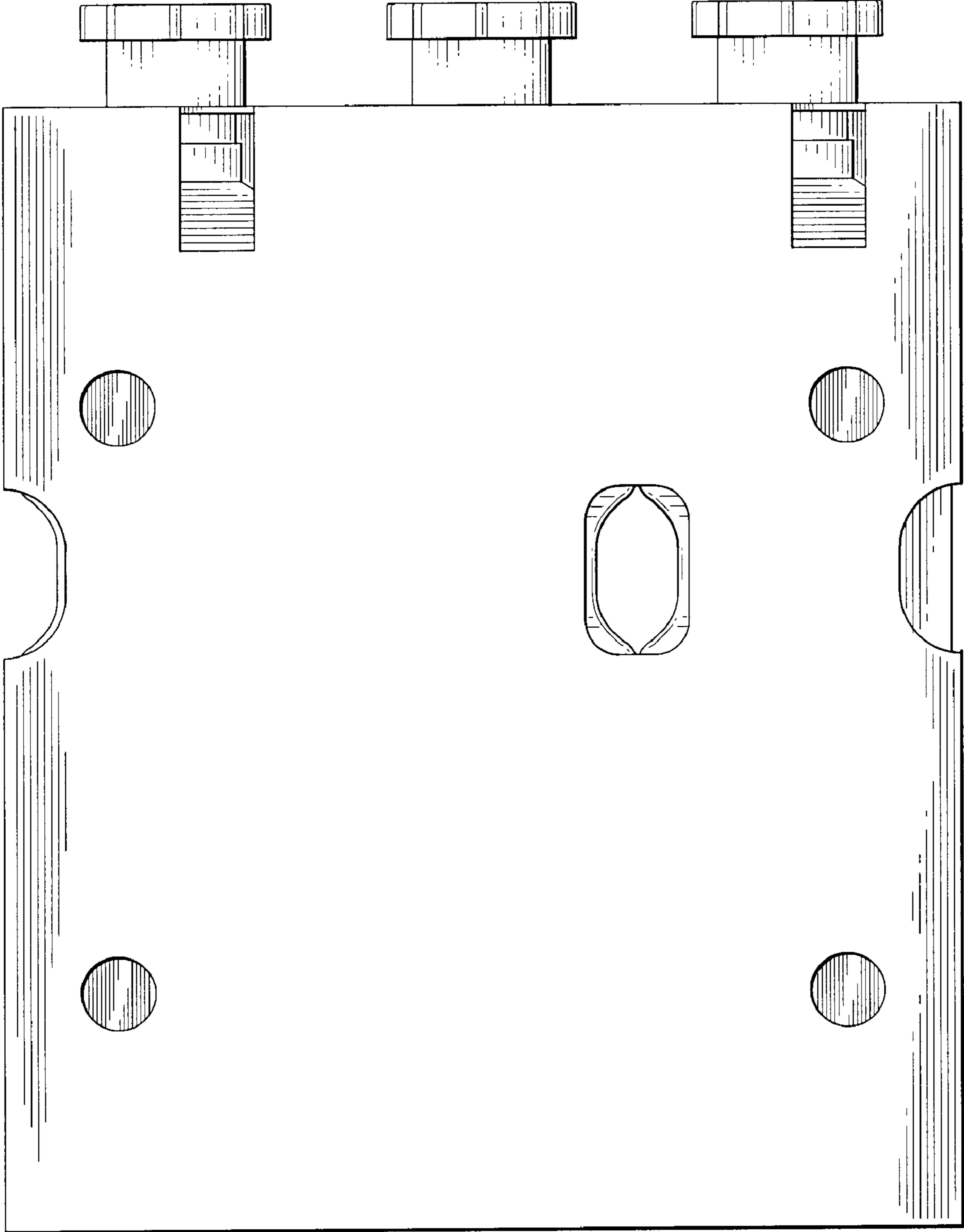


FIG. 2

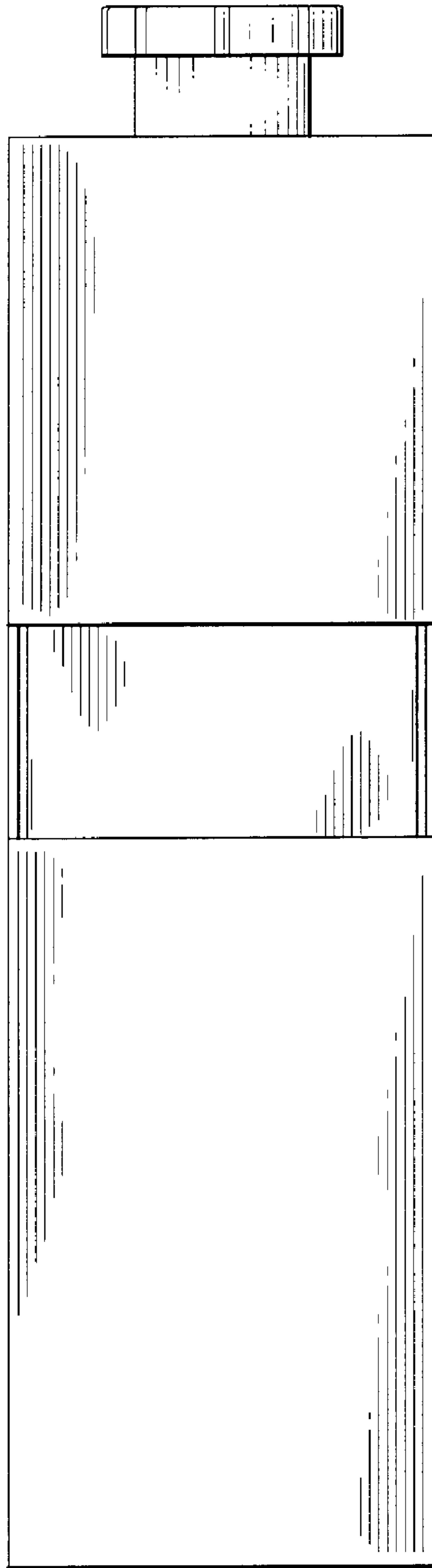


FIG. 3

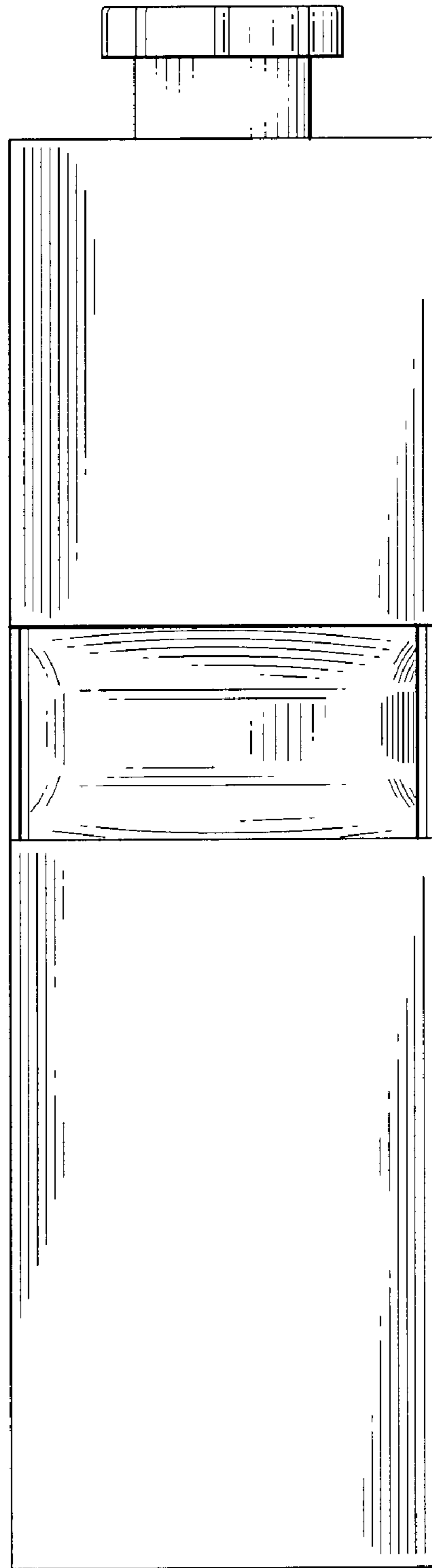


FIG. 4

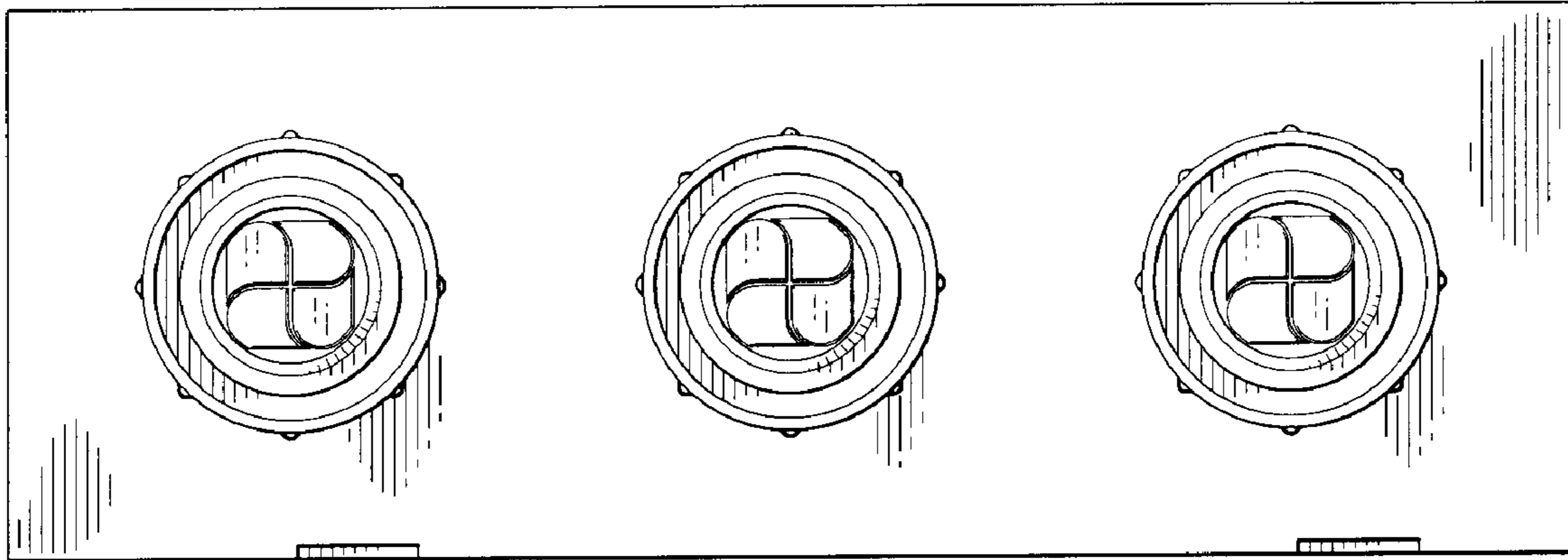


FIG. 5

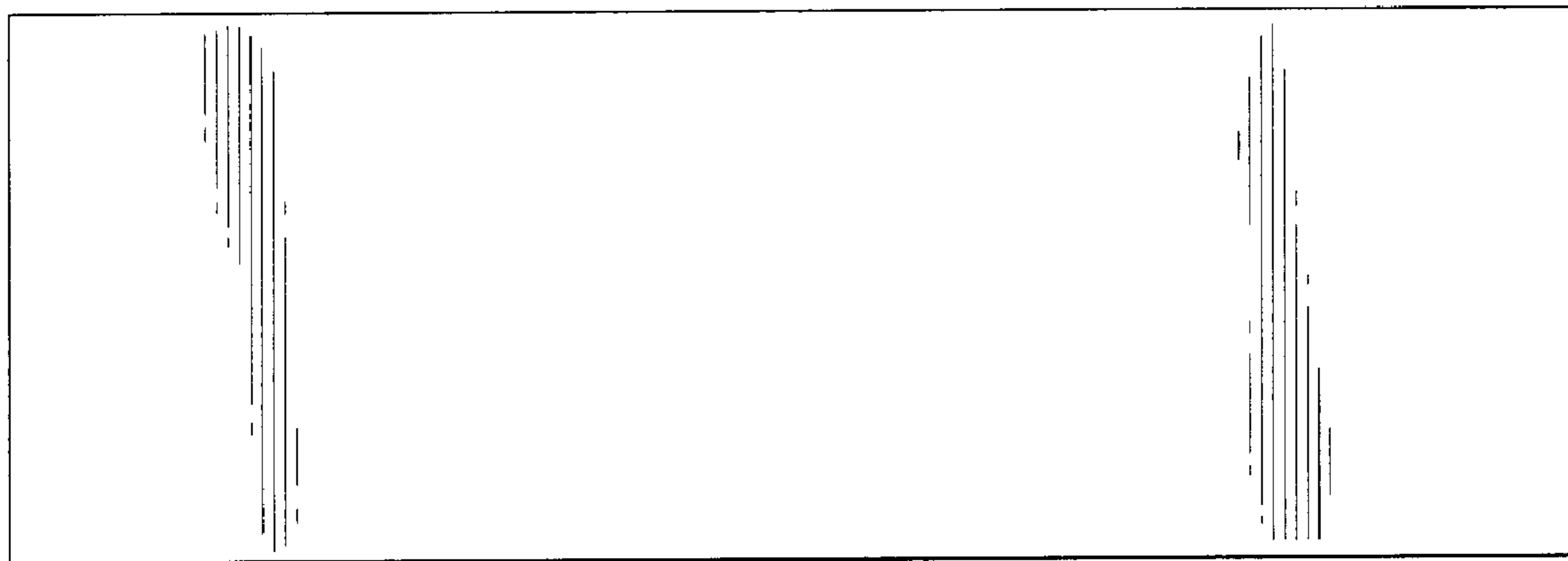


FIG. 6