



US00D533585S

(12) **United States Design Patent**
Park et al.

(10) **Patent No.:** **US D533,585 S**

(45) **Date of Patent:** **** Dec. 12, 2006**

(54) **DIGITAL PHOTO PRINTER**

D497,941 S * 11/2004 Antunes D18/50
D519,549 S * 4/2006 Tanio D18/50

(75) Inventors: **Gyeong-Sun Park**, Seoul (KR);
Bong-Uk Lim, Seoul (KR); **Yun-Gi Hong**, Seoul (KR)

OTHER PUBLICATIONS

U.S. Appl. No. 29/236,964, Applicant: Gyeong-Sun Park, et al., filed Aug. 24, 2005 entitled Digital Photo Printer.

U.S. Appl. No. 29/231,251, Applicant: Bong-Uk Lim, et al., filed Jun. 2, 2005 entitled Photo Printer.

(73) Assignee: **Samsung Electronics Co., Ltd.**,
Kyunggi-do (KR)

(**) Term: **14 Years**

* cited by examiner

(21) Appl. No.: **29/236,962**

Primary Examiner—Cathy Anne MacCormac

(22) Filed: **Aug. 24, 2005**

(74) *Attorney, Agent, or Firm*—Flynn, Thiel, Boutell & Tanis, P.C.

(51) **LOC (8) Cl.** **14-02**

(57) **CLAIM**

(52) **U.S. Cl.** **D18/50**

The ornamental design for a digital photo printer, as shown and described.

(58) **Field of Classification Search** D18/36–39,
D18/53–54, 54.1, 55; D14/420–425, 356–357,
D14/361–363; D16/246–248, 237; 399/107;
400/613, 613.1–613.4, 691–694
See application file for complete search history.

DESCRIPTION

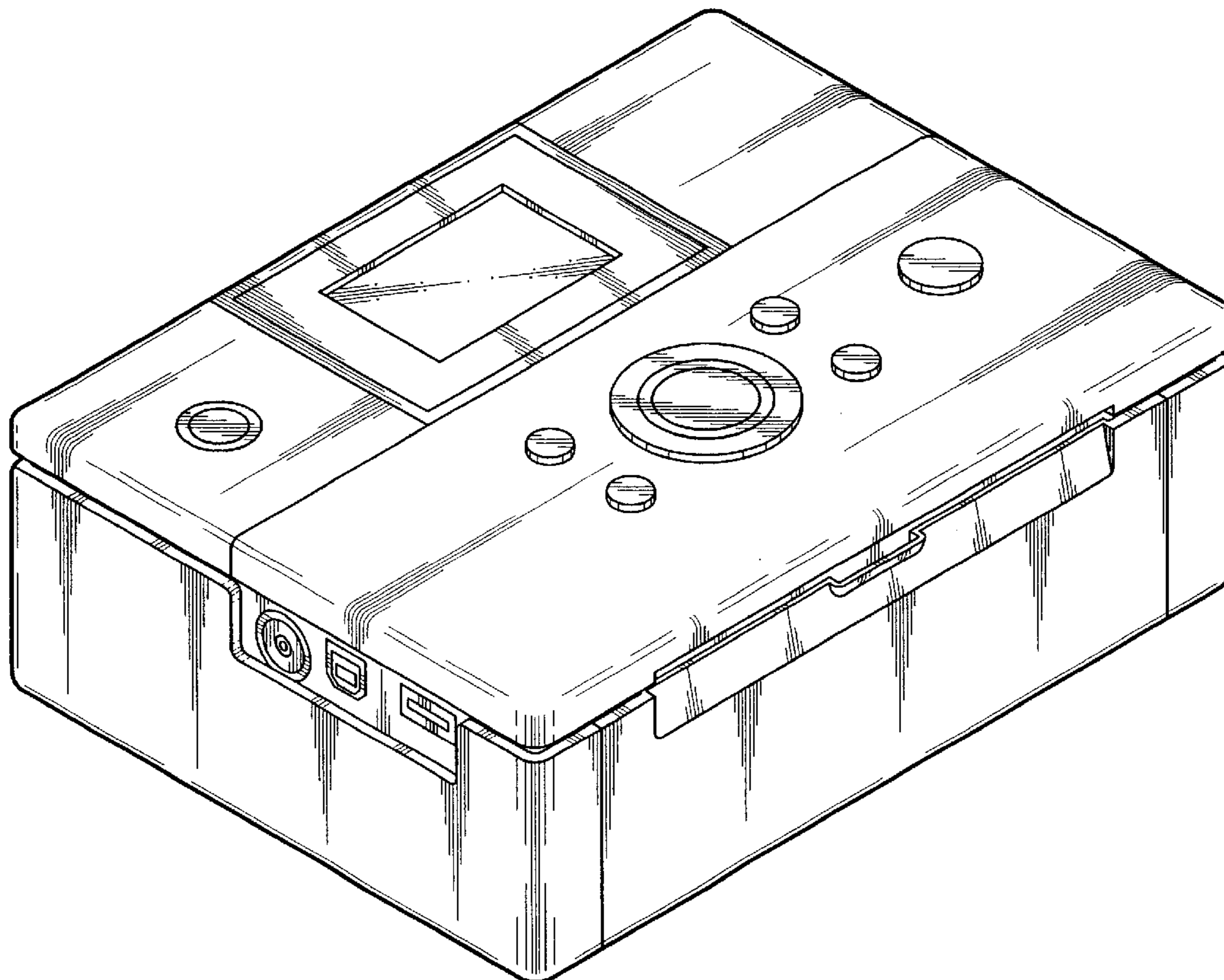
(56) **References Cited**

FIG. 1. is a top front perspective view of a digital photo printer showing our new design;
FIG. 2. is a front elevational view thereof;
FIG. 3. is a rear elevational view thereof;
FIG. 4. is a left side elevational view thereof;
FIG. 5. is a right side elevational view thereof;
FIG. 6. is a top plan view thereof; and,
FIG. 7. is a bottom plan view thereof.

U.S. PATENT DOCUMENTS

D294,371 S * 2/1988 Phleps D16/247
D377,034 S * 12/1996 Matsushita D16/202
D436,371 S * 1/2001 Shimamura D18/50
D444,811 S * 7/2001 Yamamoto D18/50
D470,164 S * 2/2003 Obata D16/237
D474,499 S * 5/2003 Isono D18/50

1 Claim, 4 Drawing Sheets



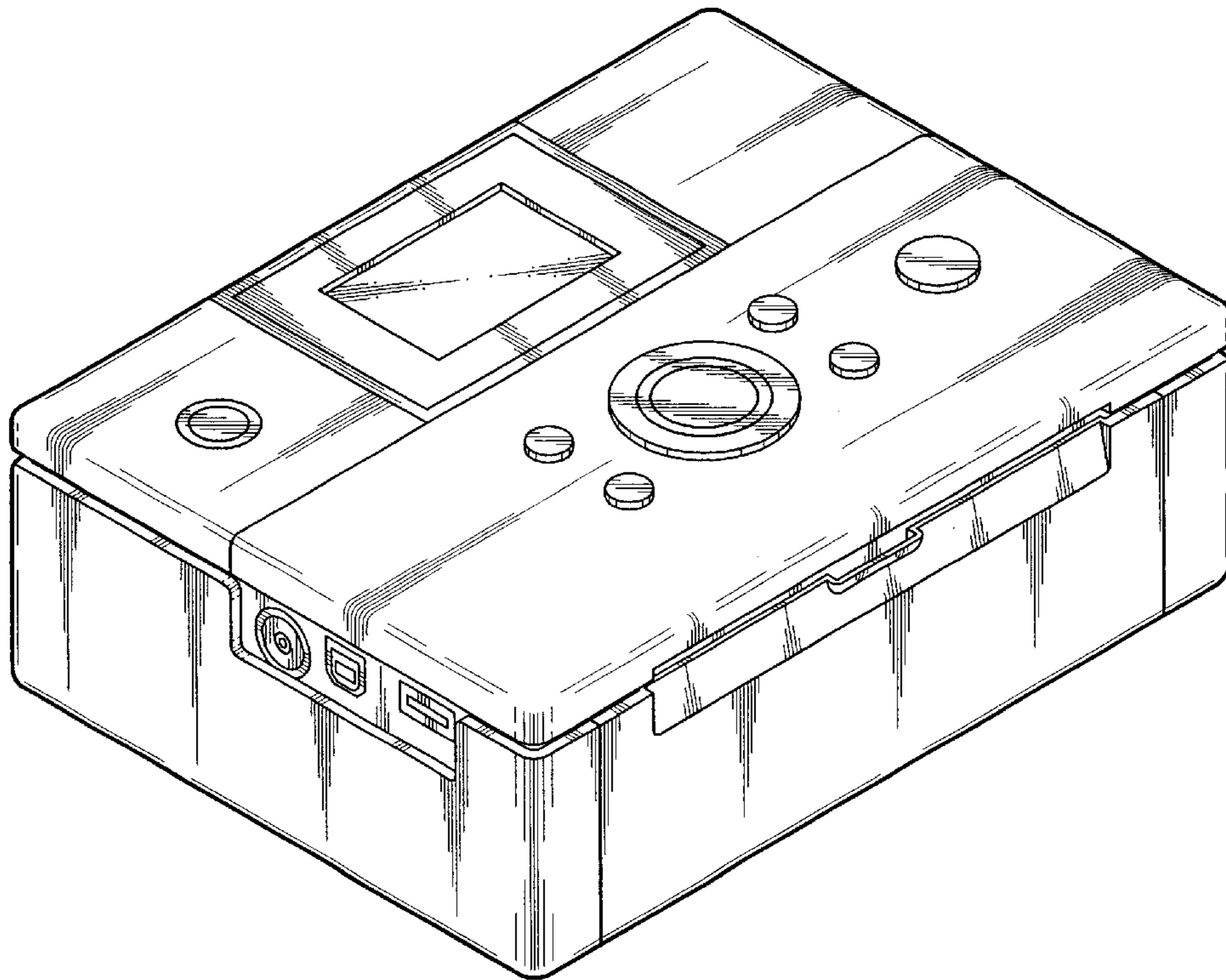


FIG. 1

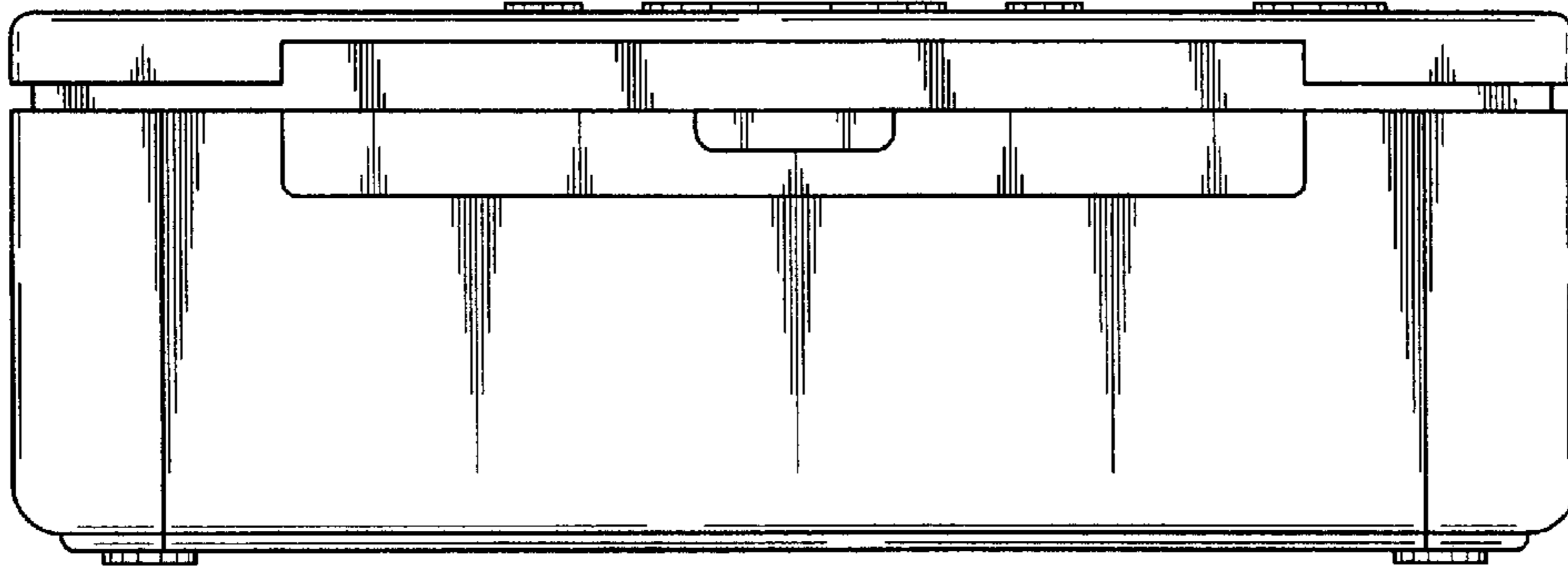


FIG. 2

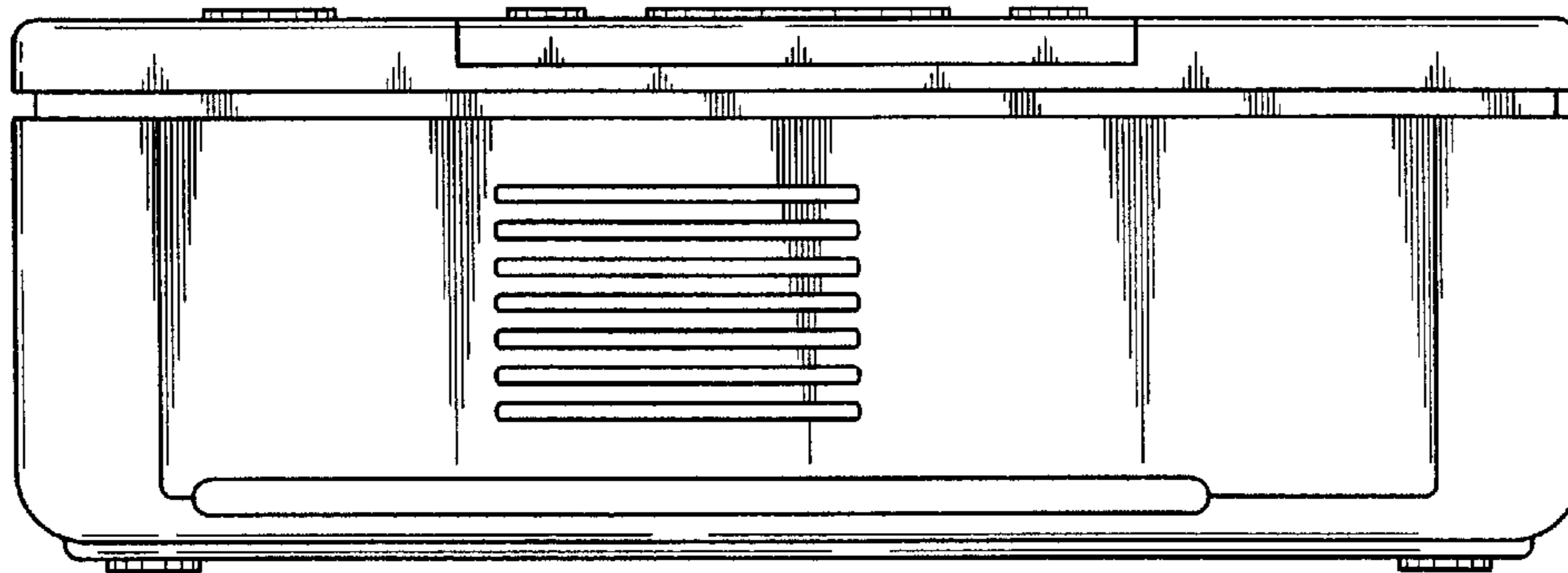


FIG. 3

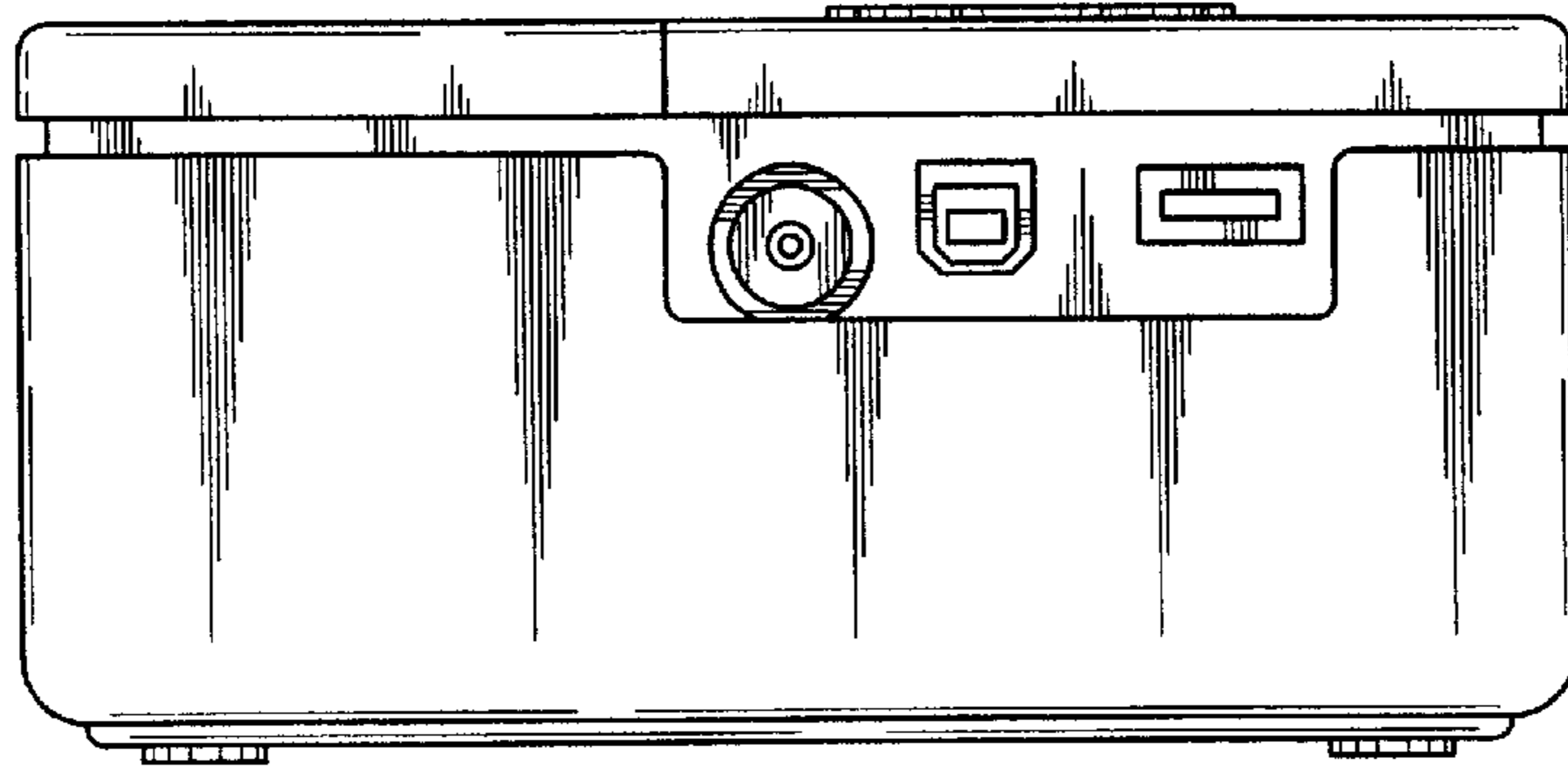


FIG. 4

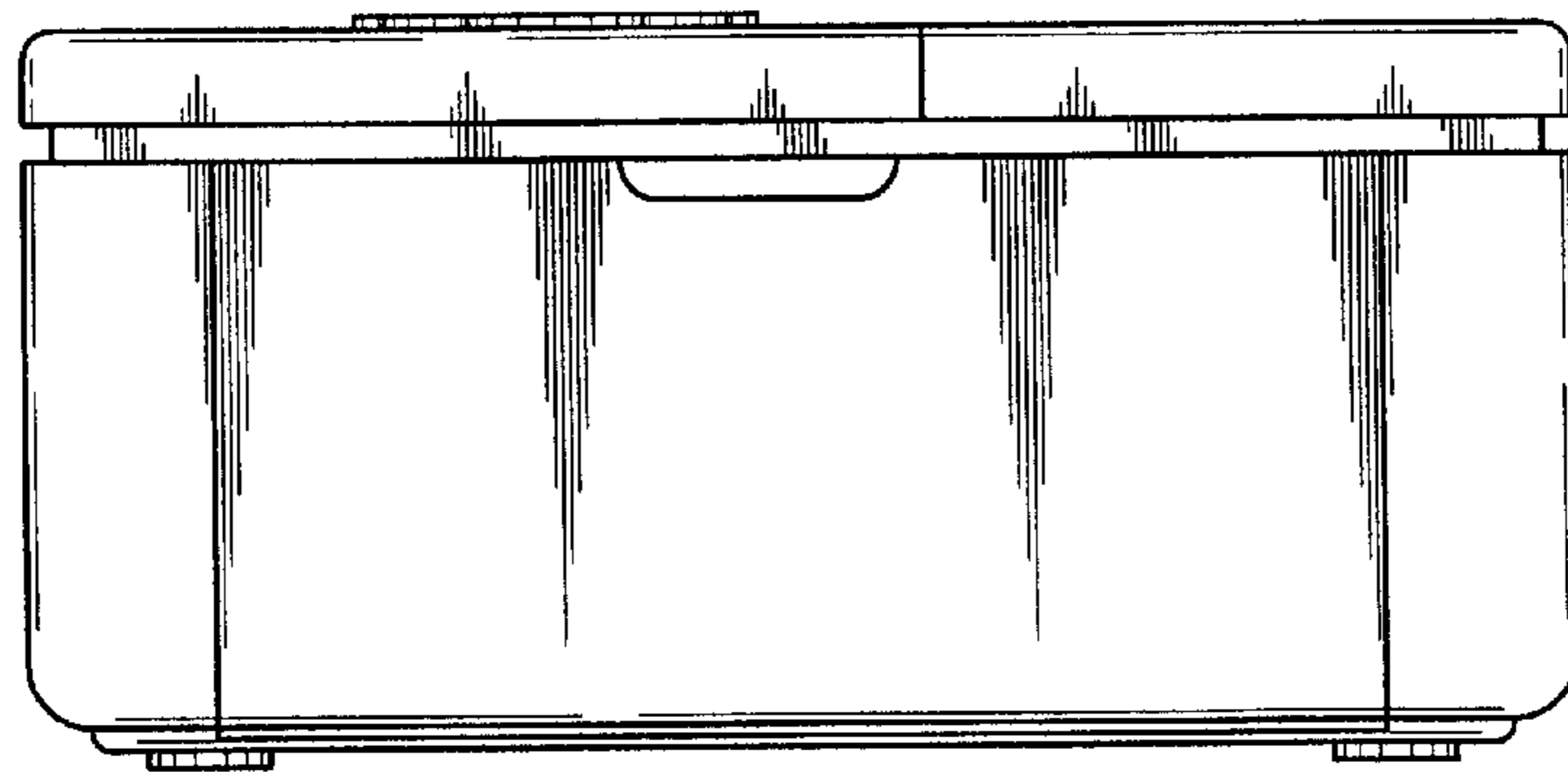


FIG. 5

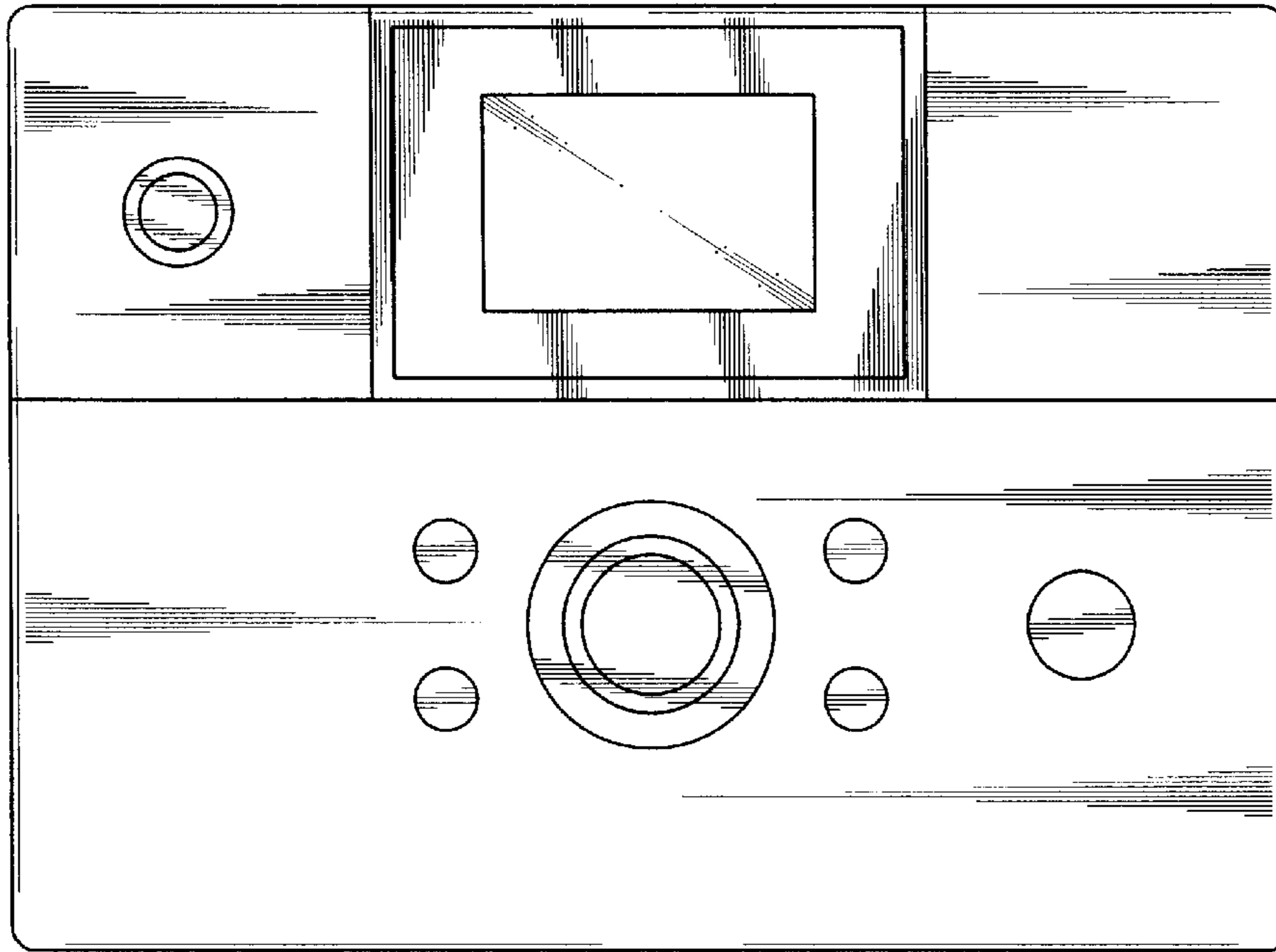


FIG. 6

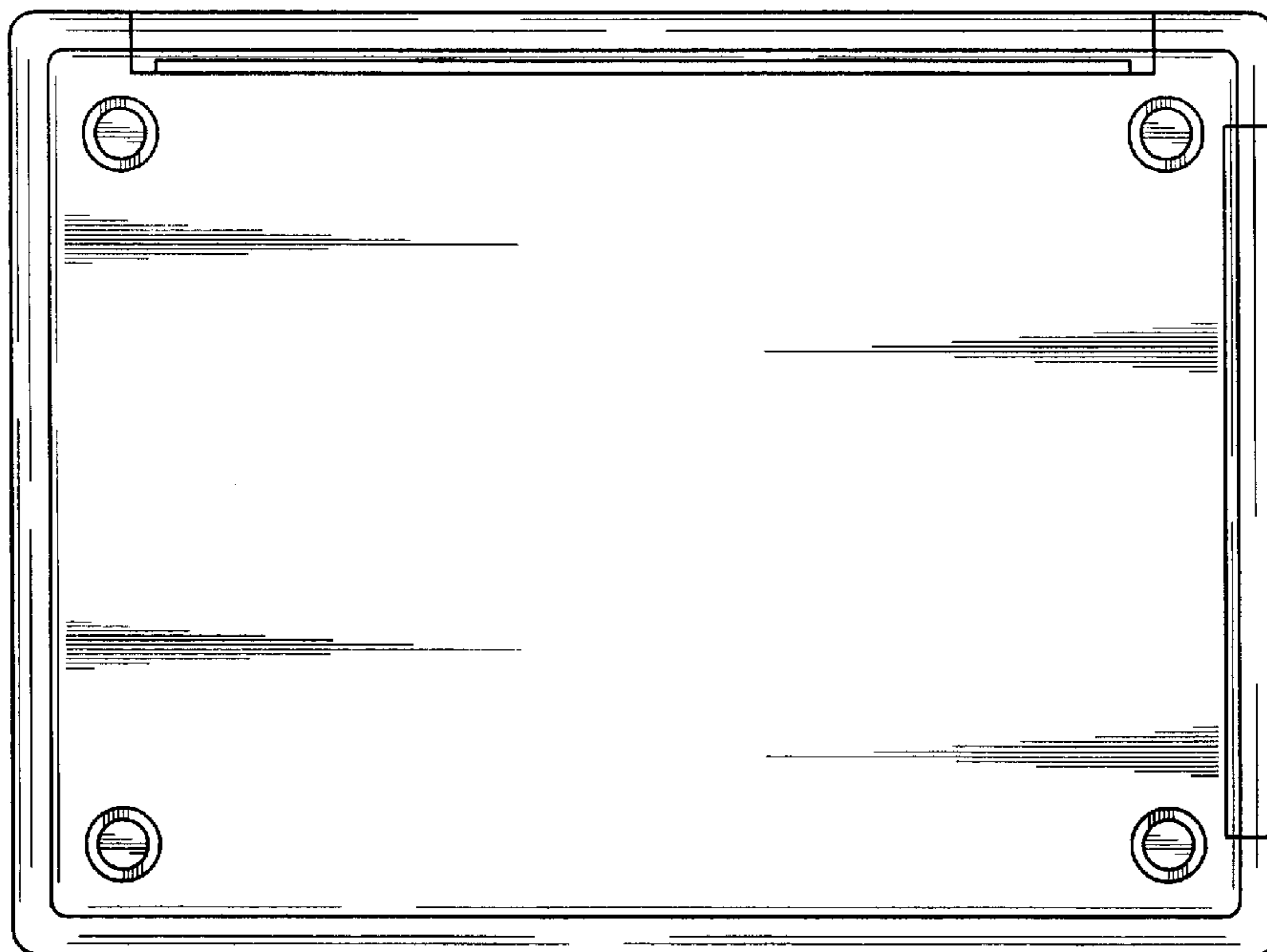


FIG. 7