



US00D533584S

(12) **United States Design Patent**
Katayama et al.

(10) **Patent No.:** **US D533,584 S**

(45) **Date of Patent:** **** Dec. 12, 2006**

(54) **PRINTER**

(75) Inventors: **Shigeharu Katayama**, Kakamigahara (JP); **Yasutake Yamaguchi**, Chiryu (JP); **Yousuke Mase**, Chita-gun (JP); **Shinji Kojima**, Nagoya (JP)

(73) Assignee: **Brother Industries, Inc.**, Nagoya (JP)

(**) Term: **14 Years**

(21) Appl. No.: **29/225,709**

(22) Filed: **Mar. 21, 2005**

(30) **Foreign Application Priority Data**

Sep. 30, 2004 (JP) 2004-029830

(51) **LOC (8) Cl.** **14-02**

(52) **U.S. Cl.** **D18/50**

(58) **Field of Classification Search** D18/36-39, D18/51, 53-54, 54.1, 55; D14/420-425, D14/462-470; 399/107; 400/613, 613.1-613.4, 400/691-694

See application file for complete search history.

(56) **References Cited**

U.S. PATENT DOCUMENTS

D158,027 S * 4/1950 Teague D14/463

D232,866 S	*	9/1974	Mann	D18/53
D239,029 S	*	3/1976	Conway et al.	D14/385
D277,856 S	*	3/1985	Lewellen	D14/304
D322,966 S	*	1/1992	Kasano et al.	D14/381
D344,546 S	*	2/1994	Mustard	D18/53
D386,173 S	*	11/1997	Scibora et al.	D14/420
D387,337 S	*	12/1997	Sween et al.	D14/420
D399,523 S	*	10/1998	Takenouchi	D18/36
D432,563 S	*	10/2000	Lin et al.	D18/50

* cited by examiner

Primary Examiner—Cathy Anne MacCormac

(74) *Attorney, Agent, or Firm*—Oliff & Berridge, PLC

(57) **CLAIM**

The ornamental design for a printer, as shown and described.

DESCRIPTION

FIG. 1 is a front perspective view of a printer;

FIG. 2 is a rear perspective view thereof;

FIG. 3 is a front view thereof;

FIG. 4 is a top view thereof;

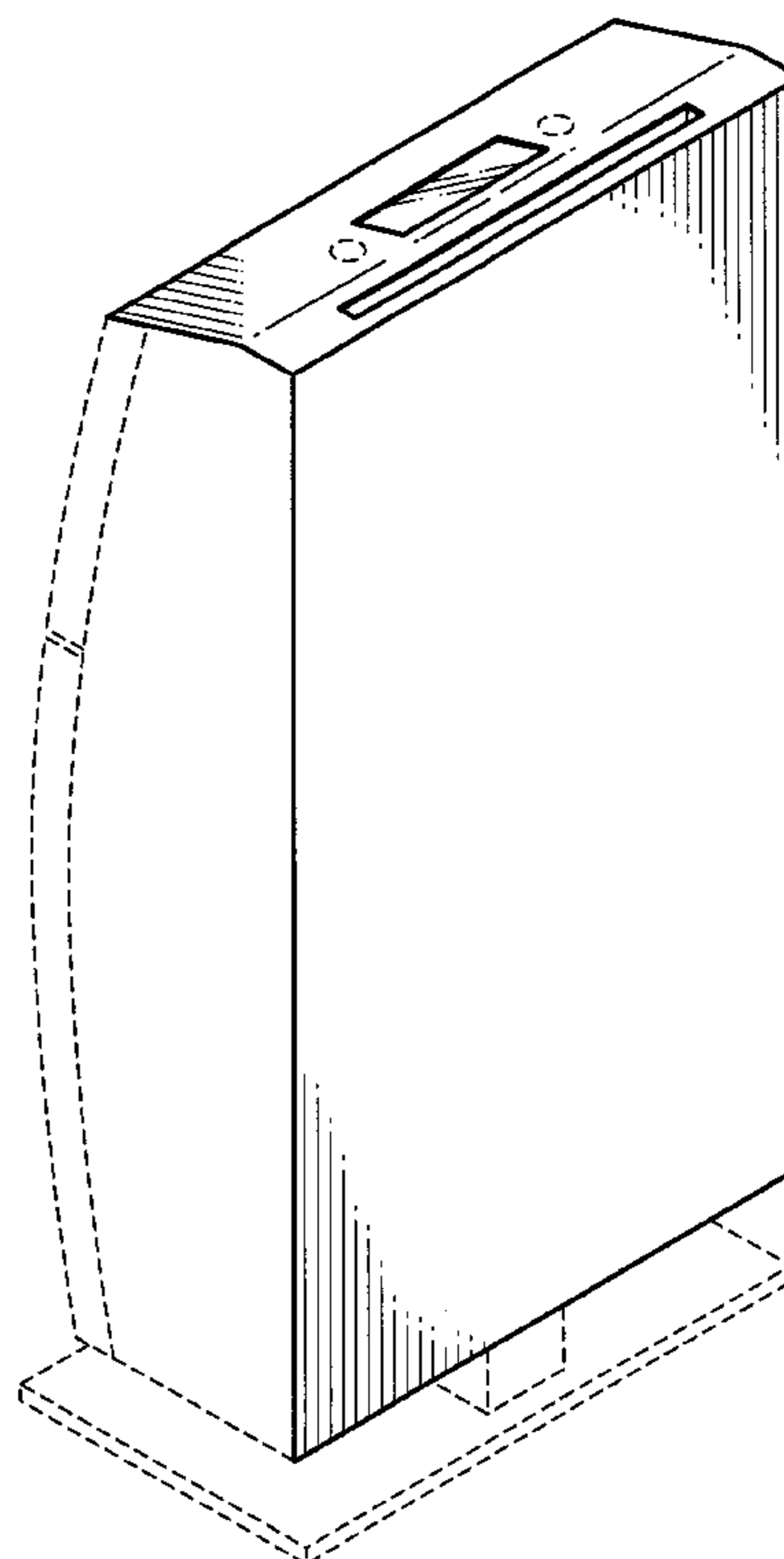
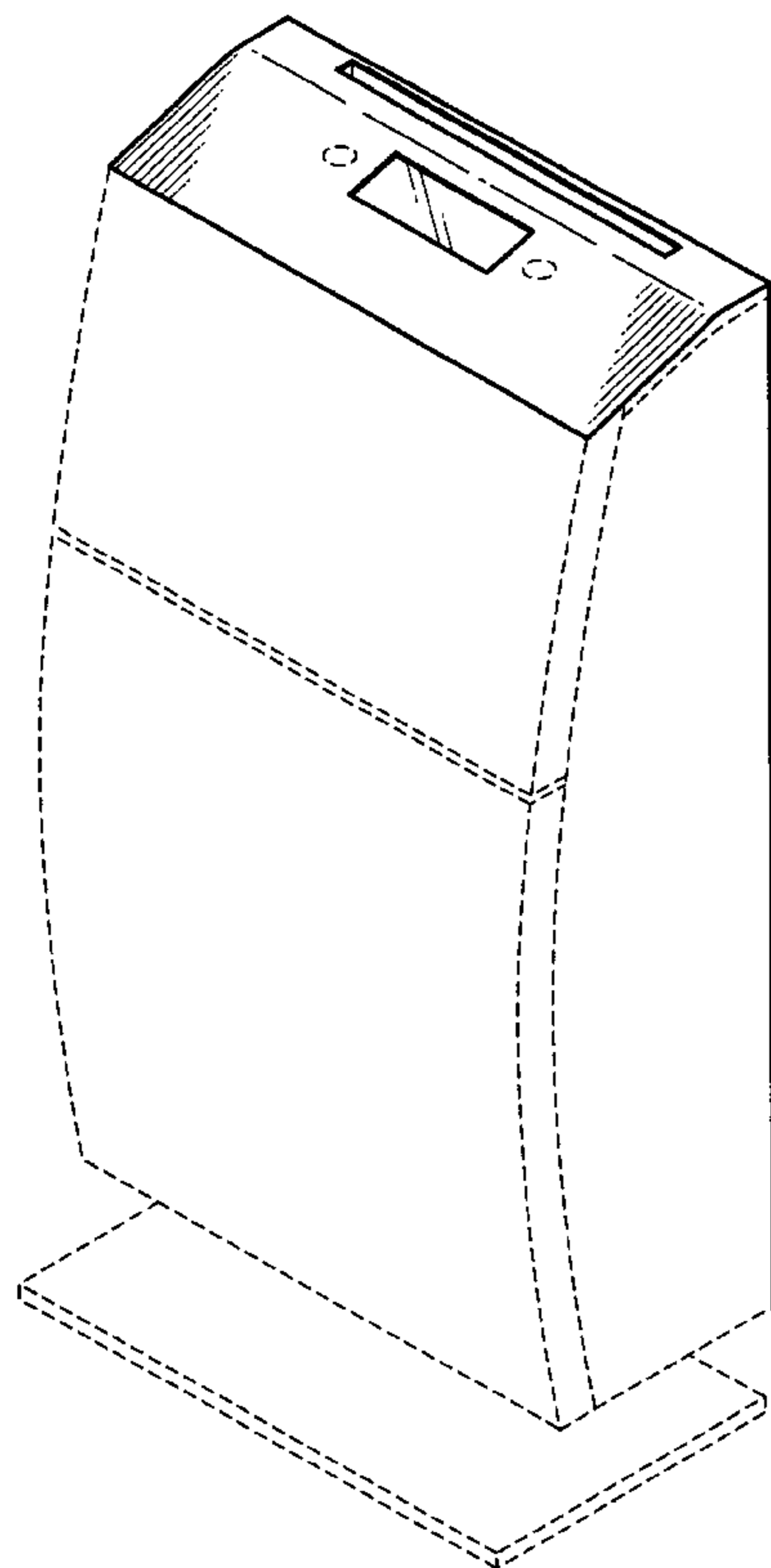
FIG. 5 is a right side view thereof;

FIG. 6 is a left side view thereof; and,

FIG. 7 is a rear view thereof.

The broken lines are for illustrative purposes only and form no part of the claimed design.

1 Claim, 5 Drawing Sheets



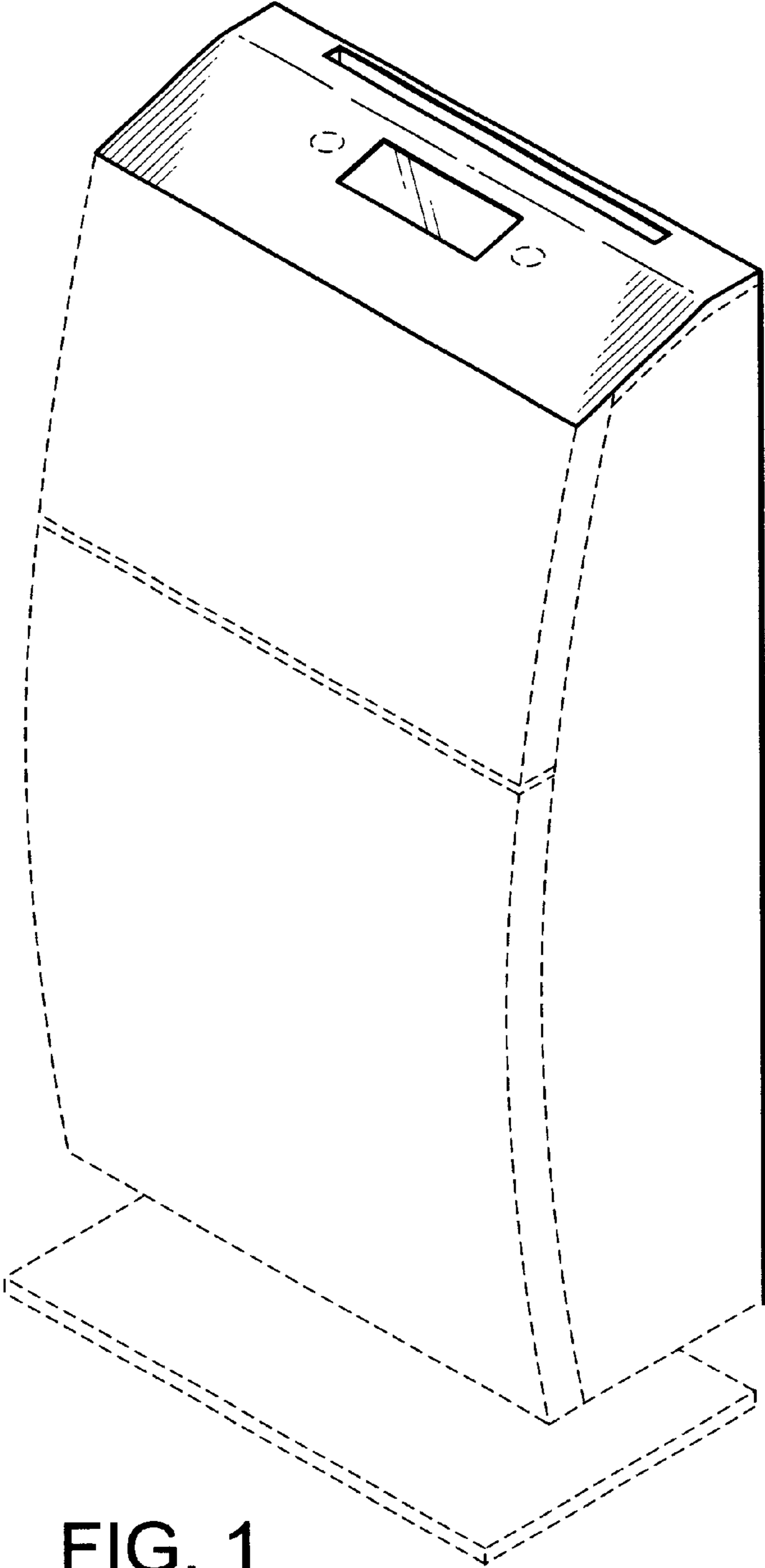


FIG. 1

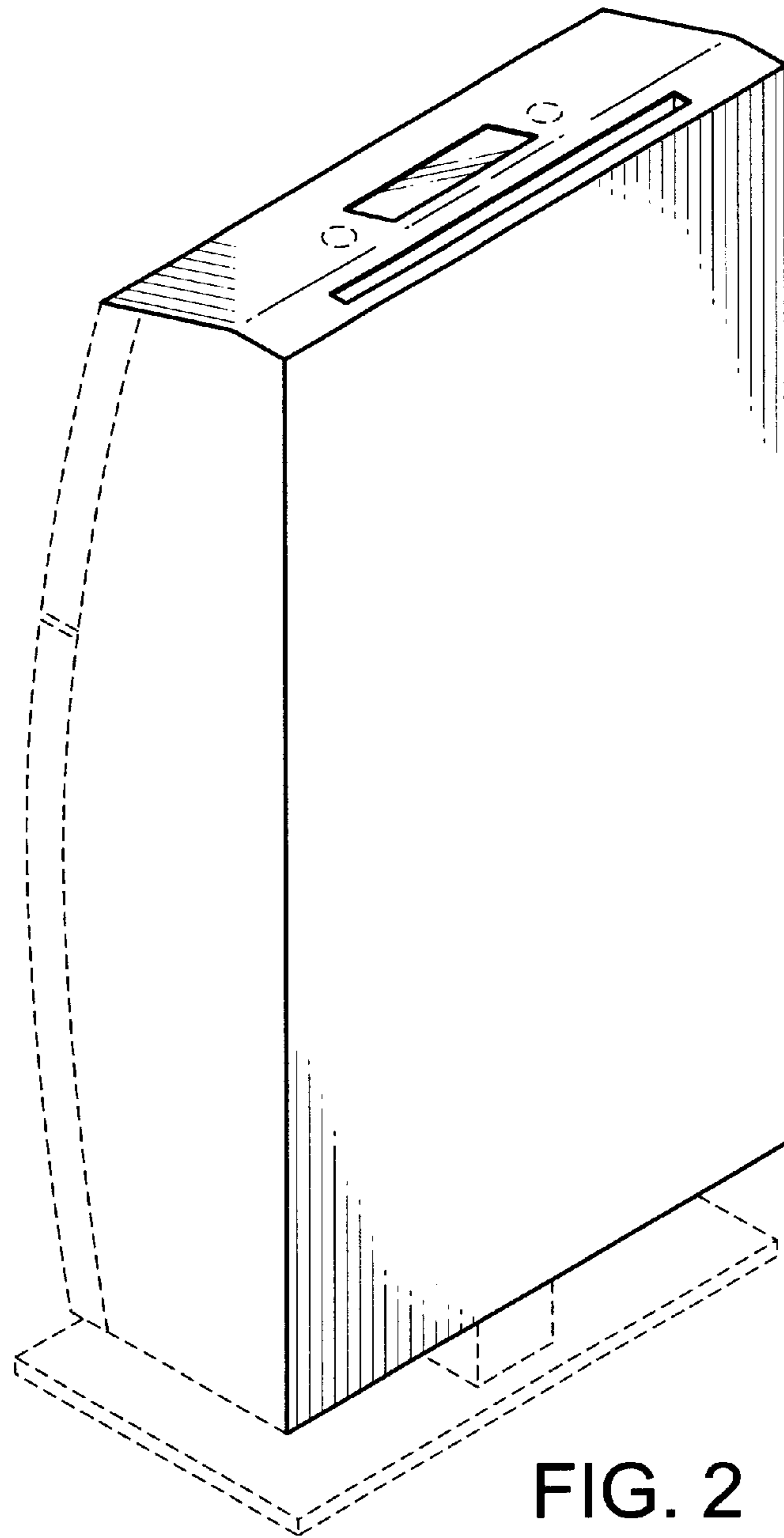


FIG. 2

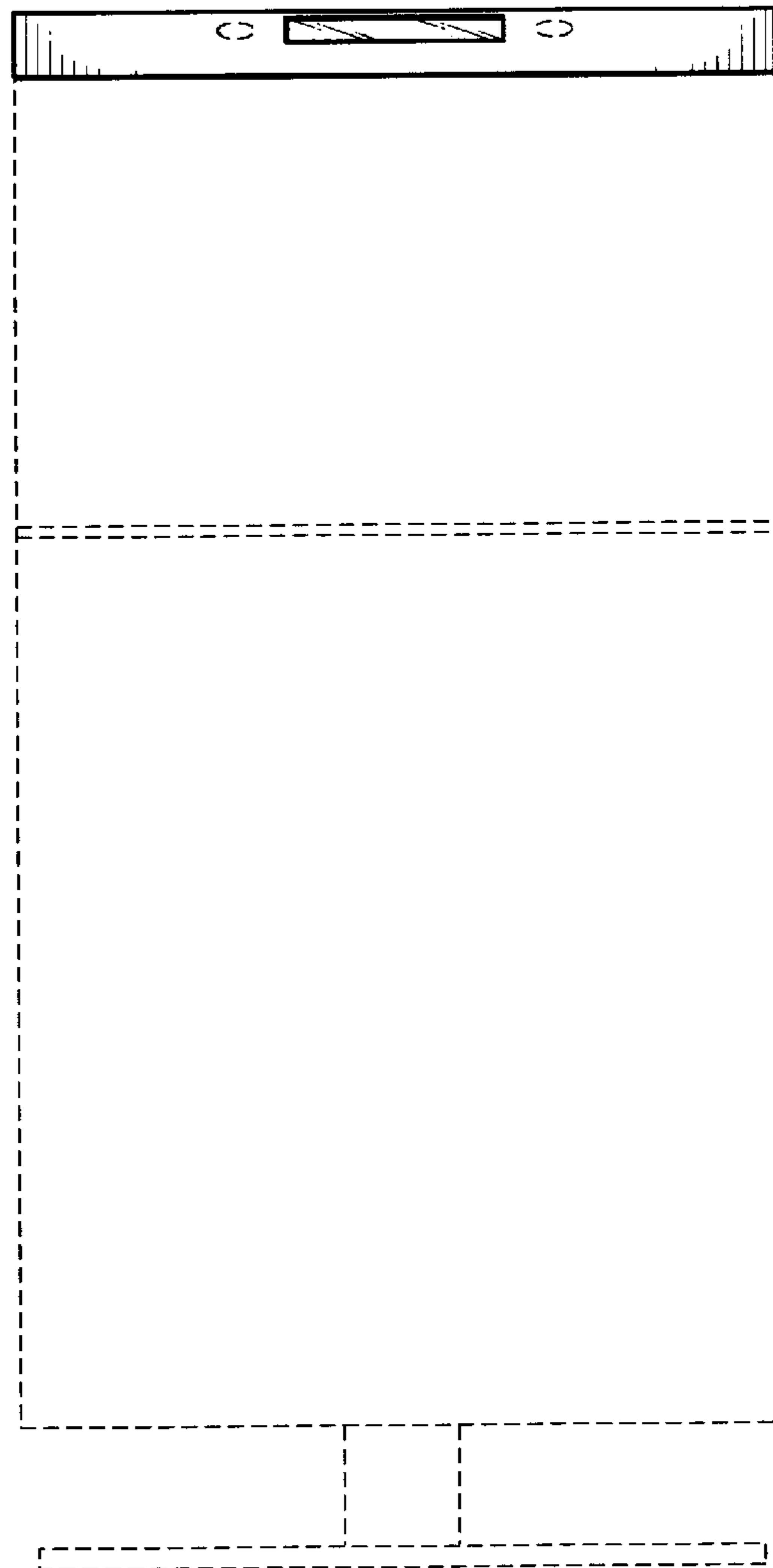


FIG. 3

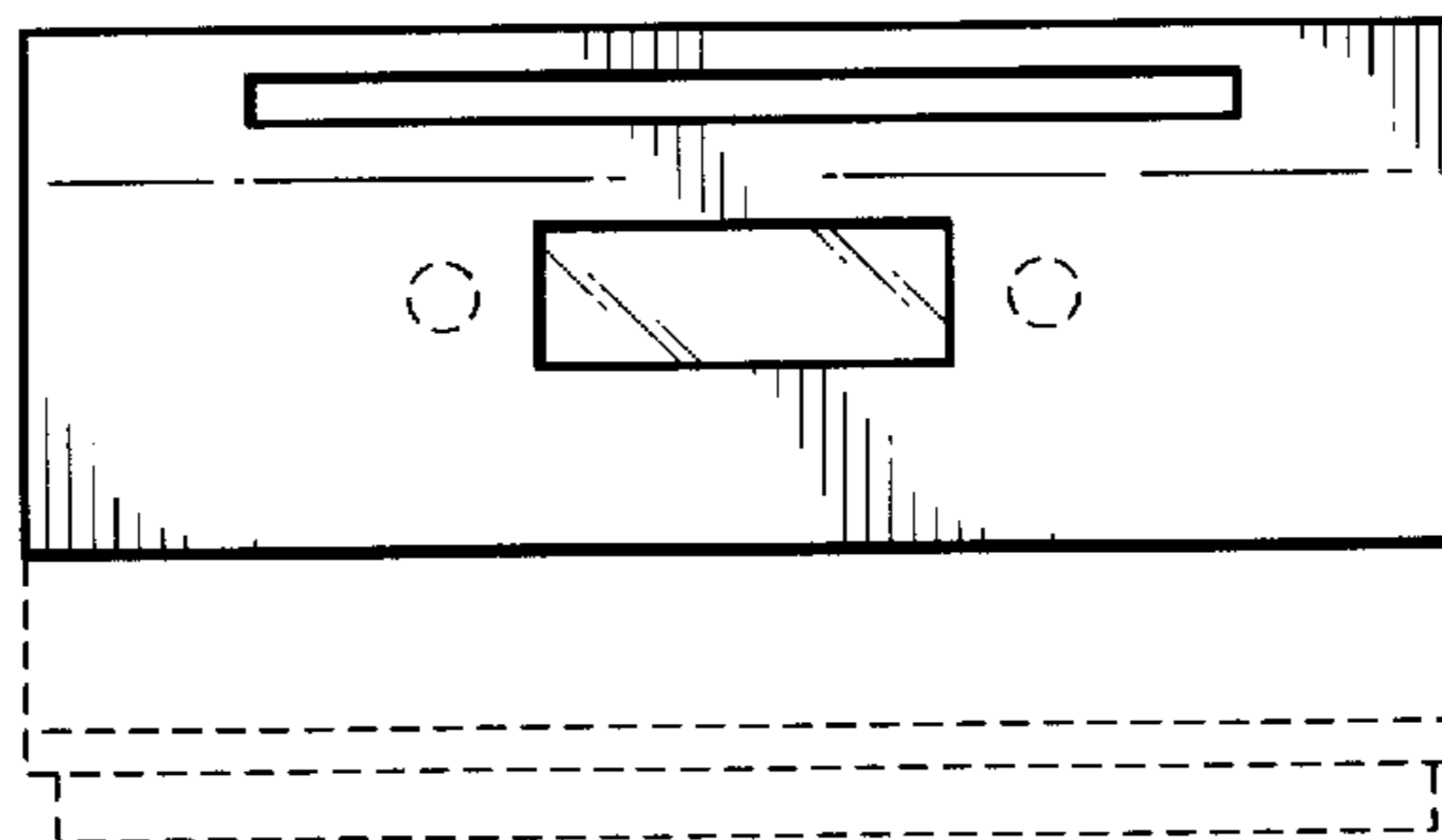


FIG. 4

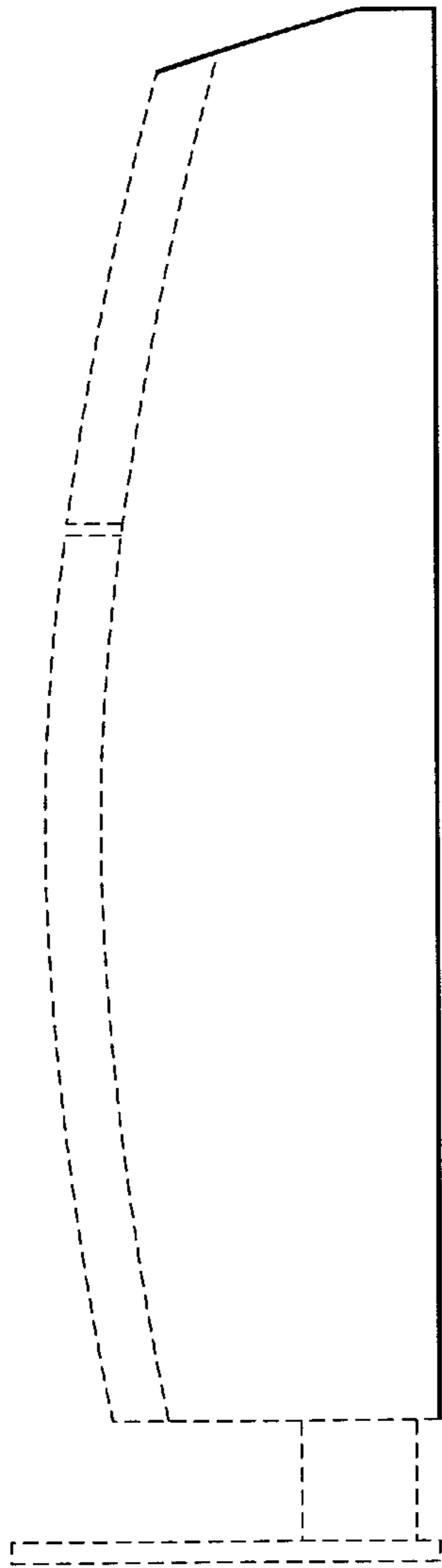


FIG. 5

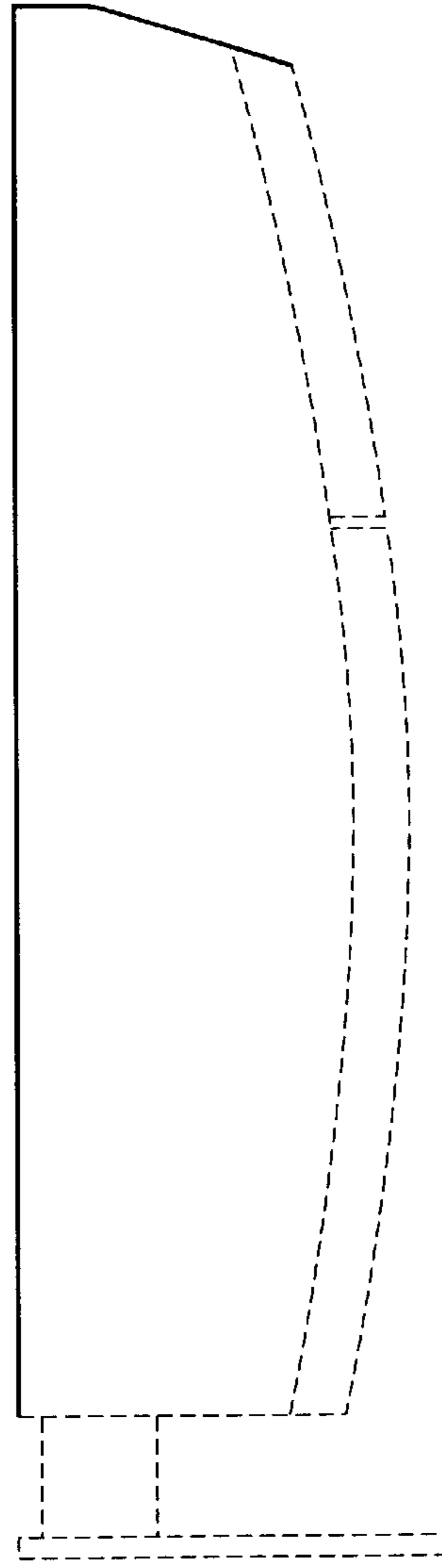


FIG. 6

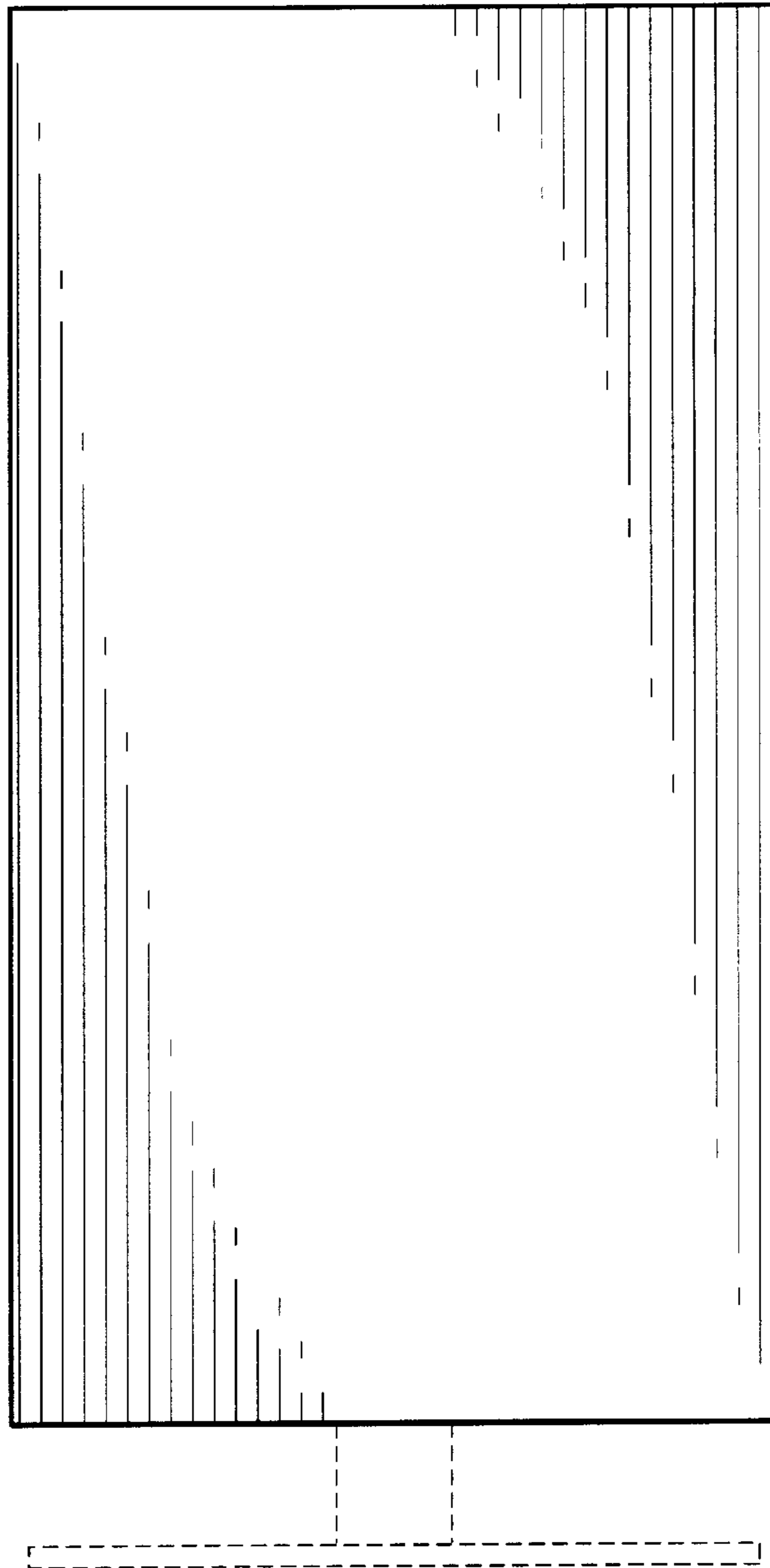


FIG. 7

UNITED STATES PATENT AND TRADEMARK OFFICE
CERTIFICATE OF CORRECTION

PATENT NO. : Des. 533,584 S
APPLICATION NO. : 29/225709
DATED : December 12, 2006
INVENTOR(S) : Shigeharu Katayama et al.

Page 1 of 1

It is certified that error appears in the above-identified patent and that said Letters Patent is hereby corrected as shown below:

On the Title Page:
Please delete the following:

(73) Assignee: Brother Industries, Inc., Nagoya (JP)

and replace with:

(73) Assignee: Brother Industries, Ltd., Nagoya (JP)

Signed and Sealed this

Fourth Day of December, 2007

A handwritten signature in black ink on a light gray dotted background. The signature reads "Jon W. Dudas" in a cursive, stylized font.

JON W. DUDAS

Director of the United States Patent and Trademark Office