



US00D533581S

(12) **United States Design Patent**
Di Anna

(10) **Patent No.:** **US D533,581 S**

(45) **Date of Patent:** **** Dec. 12, 2006**

(54) **SHREDDING CHAMBER SCREEN**

(76) **Inventor:** **Guisepe Di Anna**, 5912 Garst Rd.,
Modesto, CA (US) 95357

(**) **Term:** **14 Years**

(21) **Appl. No.:** **29/228,238**

(22) **Filed:** **Apr. 20, 2005**

(51) **LOC (8) Cl.** **18-04**

(52) **U.S. Cl.** **D18/34.9**

(58) **Field of Classification Search** D14/356,
D14/443, 441; D13/83, 64; D19/65, 72; D18/46,
D18/56, 34.1-34.9, 99, 54, 50; D15/72, 138,
D15/31, 141; D6/491, 432; 83/167, 289,
83/302, 203, 523, 633; 241/169.1, 36, 154,
241/157, 222, 224, 168, 284, 295, 37.5, 285.1-2,
241/100, 236; D8/99, 105; D7/372, 383
See application file for complete search history.

(56) **References Cited**

U.S. PATENT DOCUMENTS

D23,950 S	*	1/1895	Missroon	D15/138
D223,180 S	*	3/1972	Bryne	D24/144
D286,044 S	*	10/1986	Kando	D18/46
D330,813 S	*	11/1992	Spitzer et al.	D6/432
D368,202 S	*	3/1996	Goble	D7/372
D401,945 S	*	12/1998	Cunningham et al.	D15/31
D449,850 S	*	10/2001	Ho	D18/34.6
D456,825 S	*	5/2002	Lutz et al.	D15/138

D507,903 S	*	8/2005	Pingel	D6/491
D511,521 S	*	11/2005	Schmidt et al.	D14/441
D511,777 S	*	11/2005	Schmidt et al.	D14/441

FOREIGN PATENT DOCUMENTS

GB 1059171 * 11/1989

* cited by examiner

Primary Examiner—Charles A. Rademaker

(74) *Attorney, Agent, or Firm*—R. Micheal West

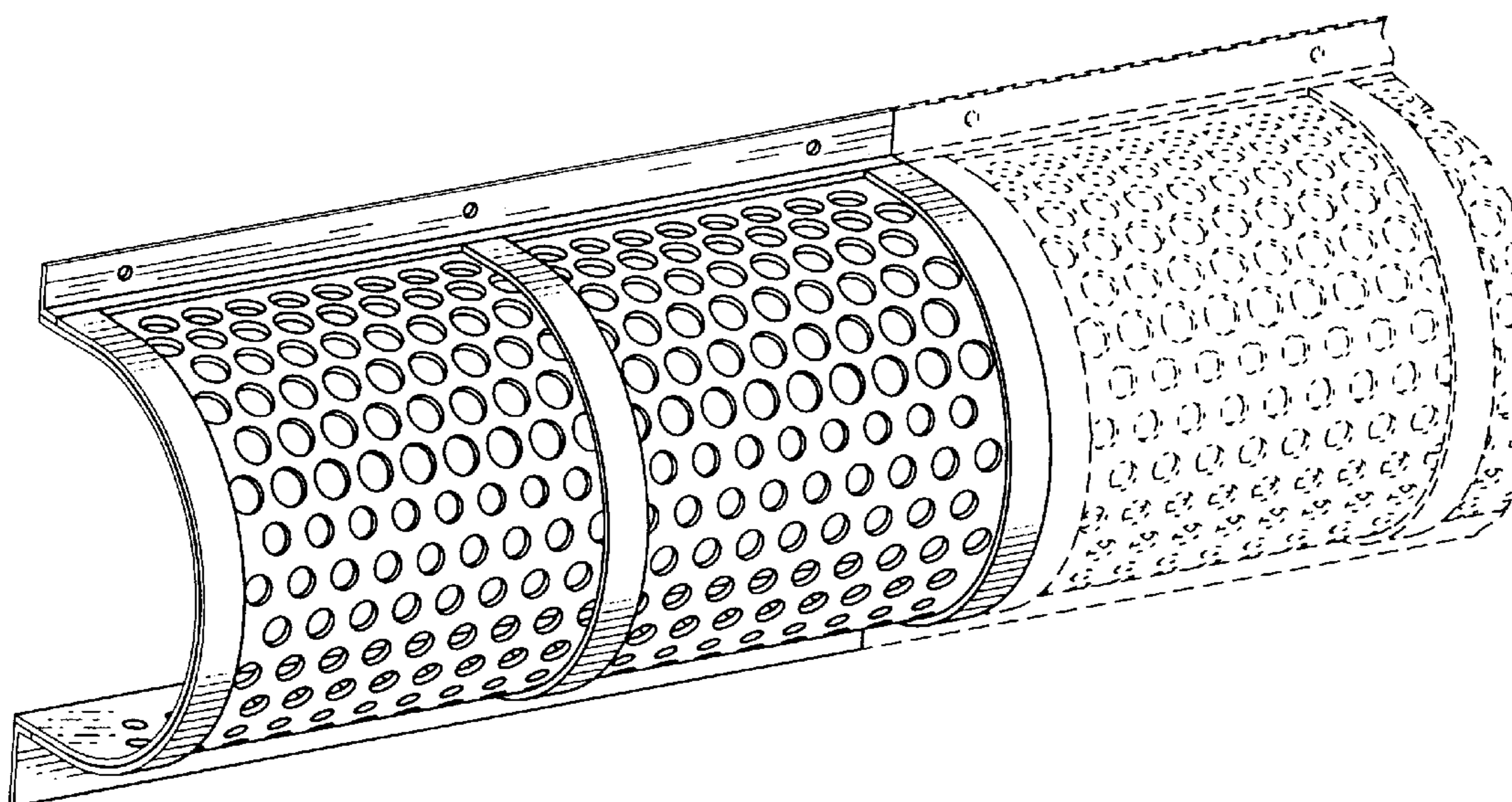
(57) **CLAIM**

The ornamental design for a shredding chamber screen, as shown and described.

DESCRIPTION

FIG. 1 is a left front perspective view of a shredding chamber screen, showing my new design; FIG. 2 is a top plan view, thereof; FIG. 3 is a front elevational view, thereof; FIG. 4 is a bottom plan view, thereof; FIG. 5 is a rear elevational view, thereof; FIG. 6 is a left-side elevational view, the right-side elevational view being substantially a mirror image, thereof; and, FIG. 7 is a layout view, showing the hole pattern, thereof. The broken line showing of environment in FIG. 1 is for illustrative purposes only and forms no part of the claimed design.

1 Claim, 2 Drawing Sheets



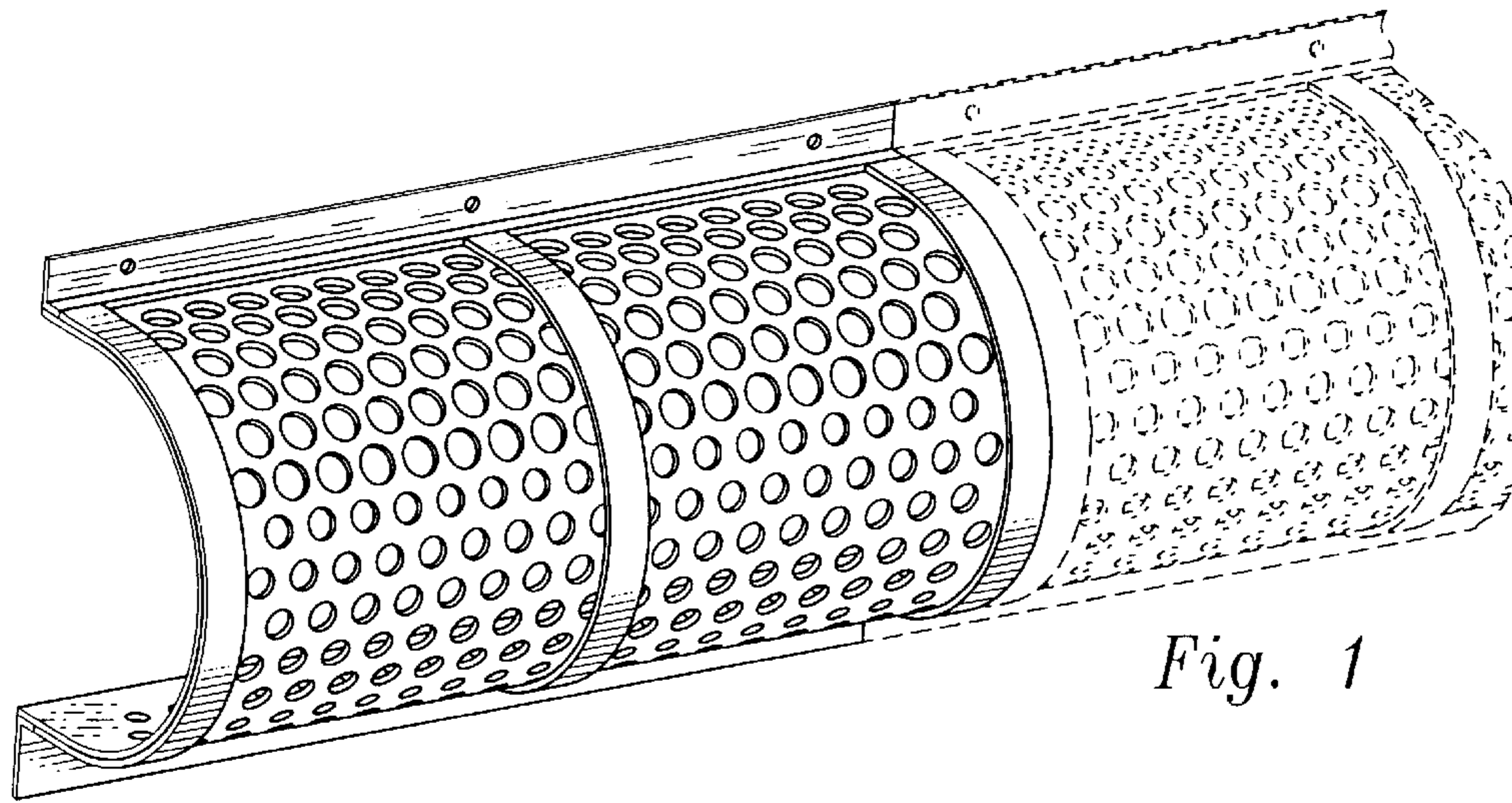


Fig. 1

Fig. 2

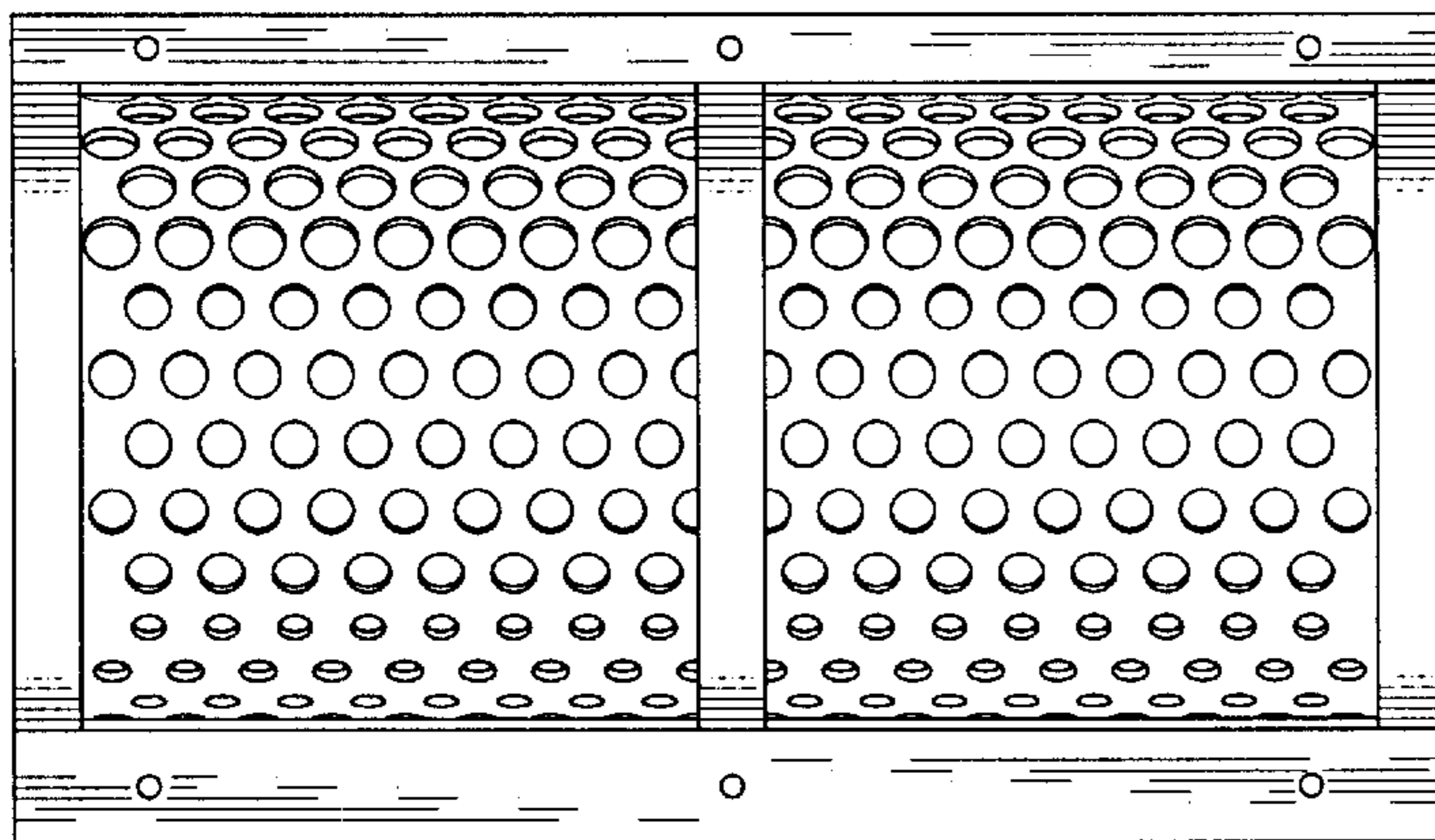
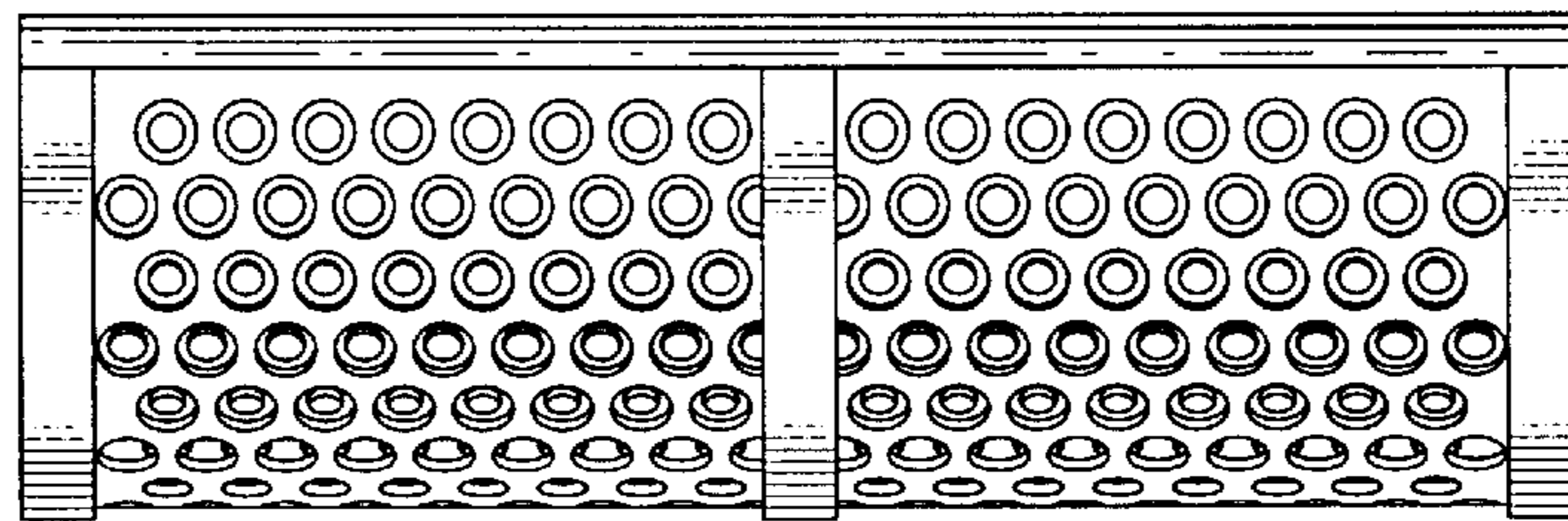
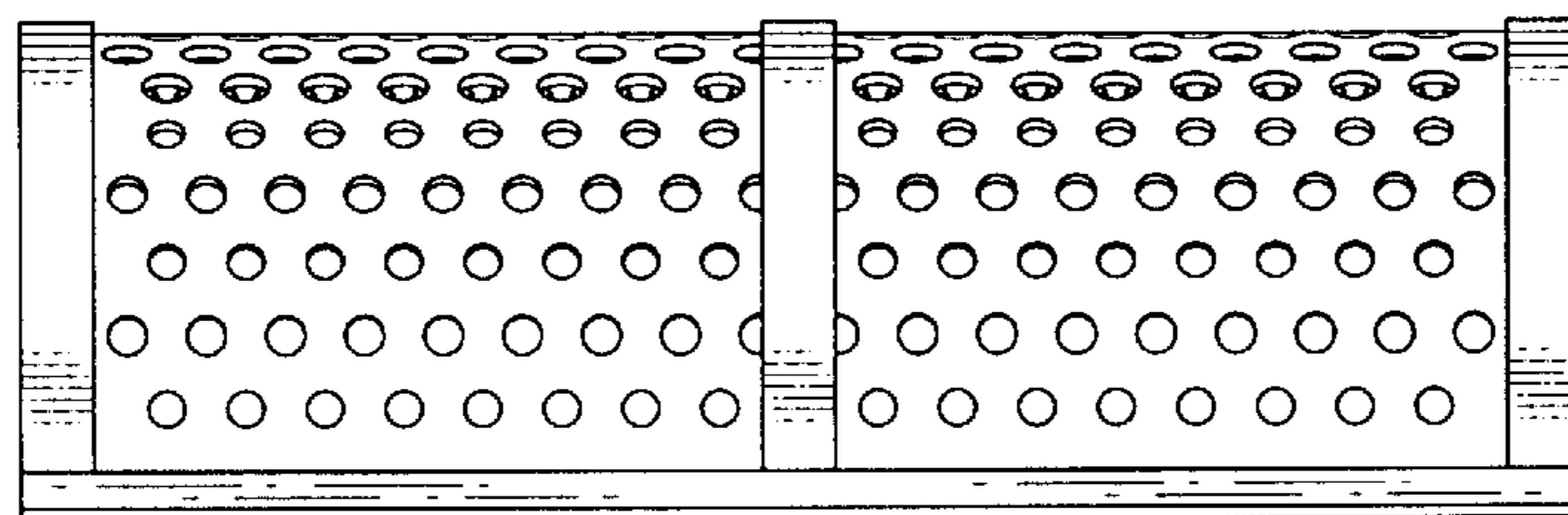


Fig. 3

Fig. 4



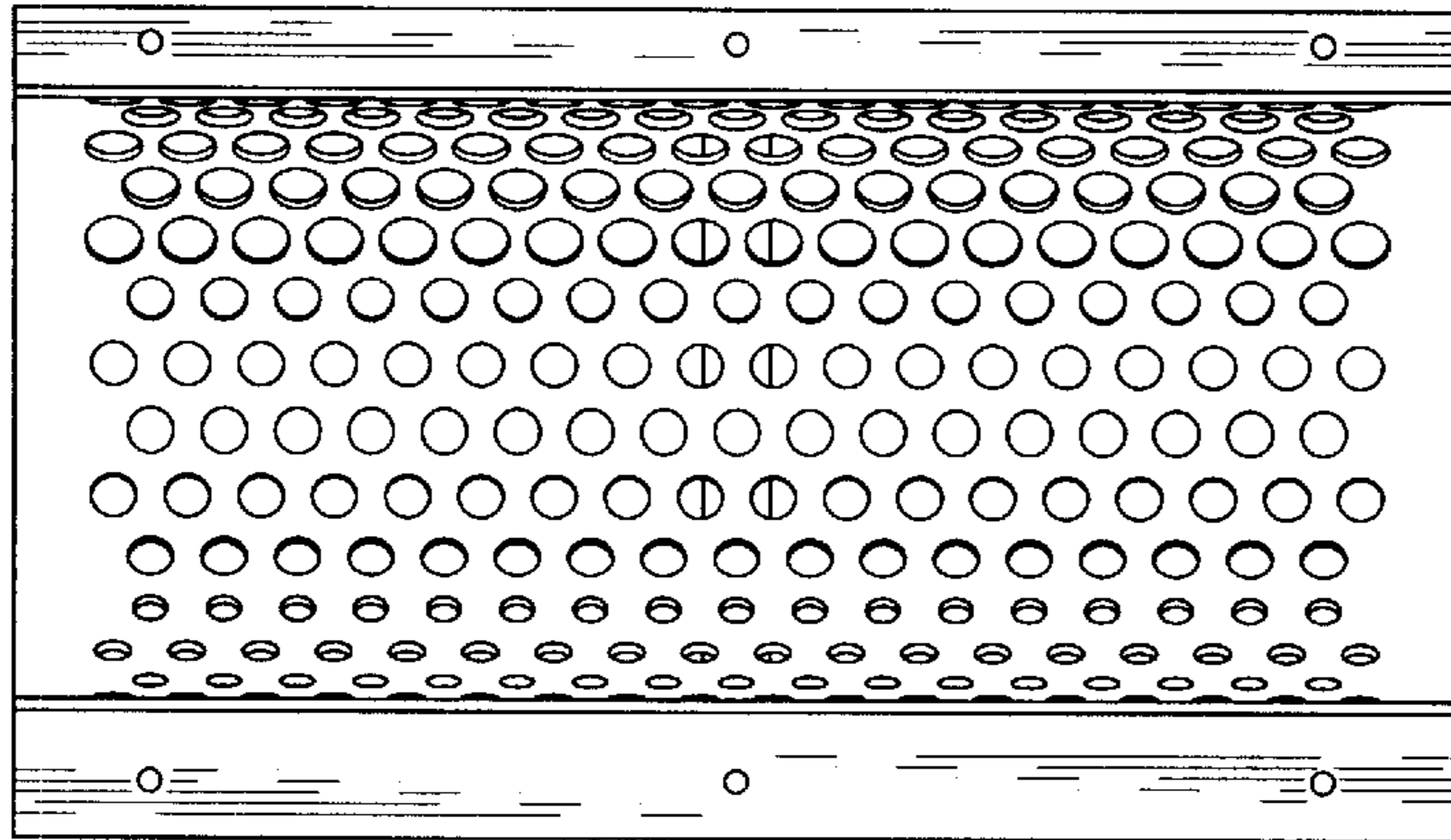


Fig. 5

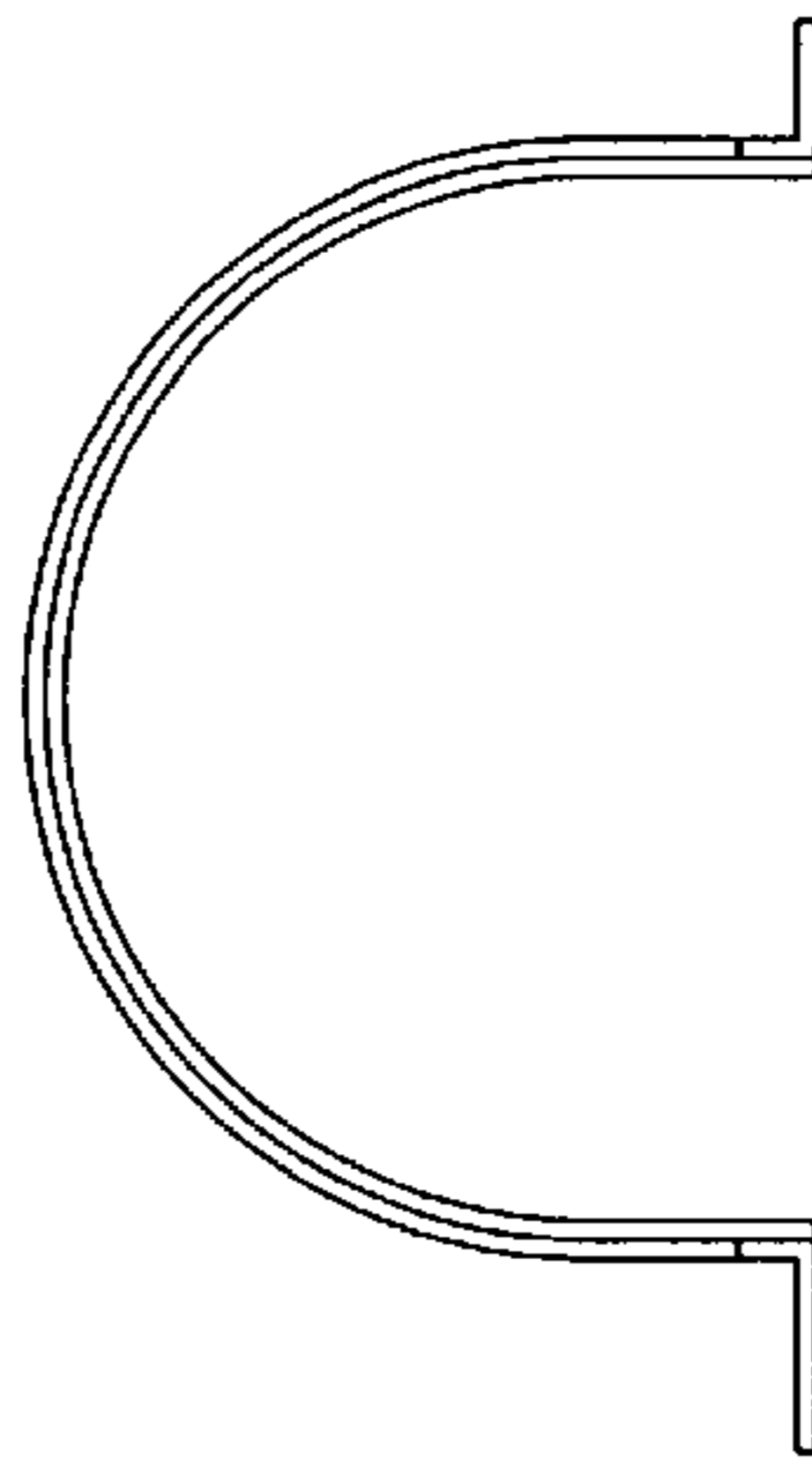


Fig. 6

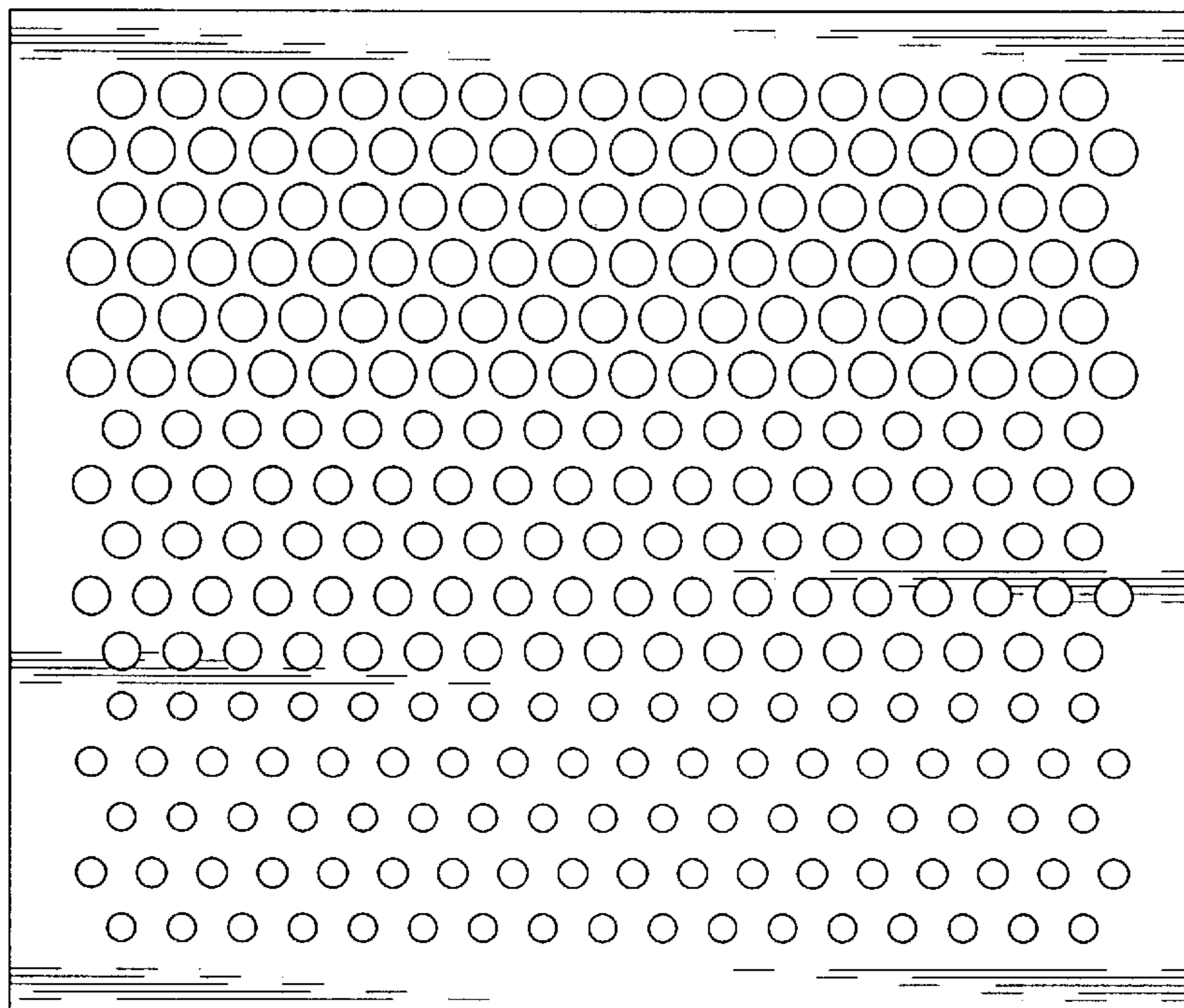


Fig. 7