



US00D533578S

(12) **United States Design Patent** (10) **Patent No.:** **US D533,578 S**
Oka (45) **Date of Patent:** **** Dec. 12, 2006**

(54) **TRIPOD**

(75) Inventor: **Hiroki Oka**, Tokyo (JP)

(73) Assignee: **Sony Corporation**, Tokyo (JP)

(**) Term: **14 Years**

(21) Appl. No.: **29/234,611**

(22) Filed: **Jul. 21, 2005**

(30) **Foreign Application Priority Data**

Apr. 28, 2005 (JP) D2005-012788

(51) **LOC (8) Cl.** **16-05**

(52) **U.S. Cl.** **D16/244**

(58) **Field of Classification Search** D16/242,
D16/244, 245; 248/168, 169, 170, 171, 183.2,
248/188.5, 188.6, 188.7; 396/419, 428
See application file for complete search history.

(56) **References Cited**

U.S. PATENT DOCUMENTS

2,226,827 A * 12/1940 Moore 248/183.2
3,963,207 A * 6/1976 Guasti 248/168
D243,328 S * 2/1977 Kawazoe D16/244
D326,105 S * 5/1992 Doi D16/244
D335,298 S * 5/1993 Hanke D16/244
D508,938 S * 8/2005 Murray et al. D16/244

FOREIGN PATENT DOCUMENTS

JP 06-018797 U 3/1994

OTHER PUBLICATIONS

Web page "8062135," http://www.kodak.com/eknec/Page-Querier.jhtml?pq-path=463&pq-locale=en_US, 1 sheet, Kodak (May 2005).

Web page "Canon Mini Tripod7," [http://www.amazon.com/exec/obidos/tg/detail/-/B00005MEP4/ref=pd_sxp_f/104-16 . . .](http://www.amazon.com/exec/obidos/tg/detail/-/B00005MEP4/ref=pd_sxp_f/104-16...), 1 sheet, Canon (May 2005).

* cited by examiner

Primary Examiner—Adir Aronovich

(74) *Attorney, Agent, or Firm*—Rader, Fishman & Grauer PLLC

(57) **CLAIM**

The ornamental design for a tripod, as shown and described.

DESCRIPTION

FIG. 1 is a perspective view of a tripod showing my new design;

FIG. 2 is a front elevational view thereof;

FIG. 3 is a rear elevational view thereof;

FIG. 4 is a left side elevational view thereof;

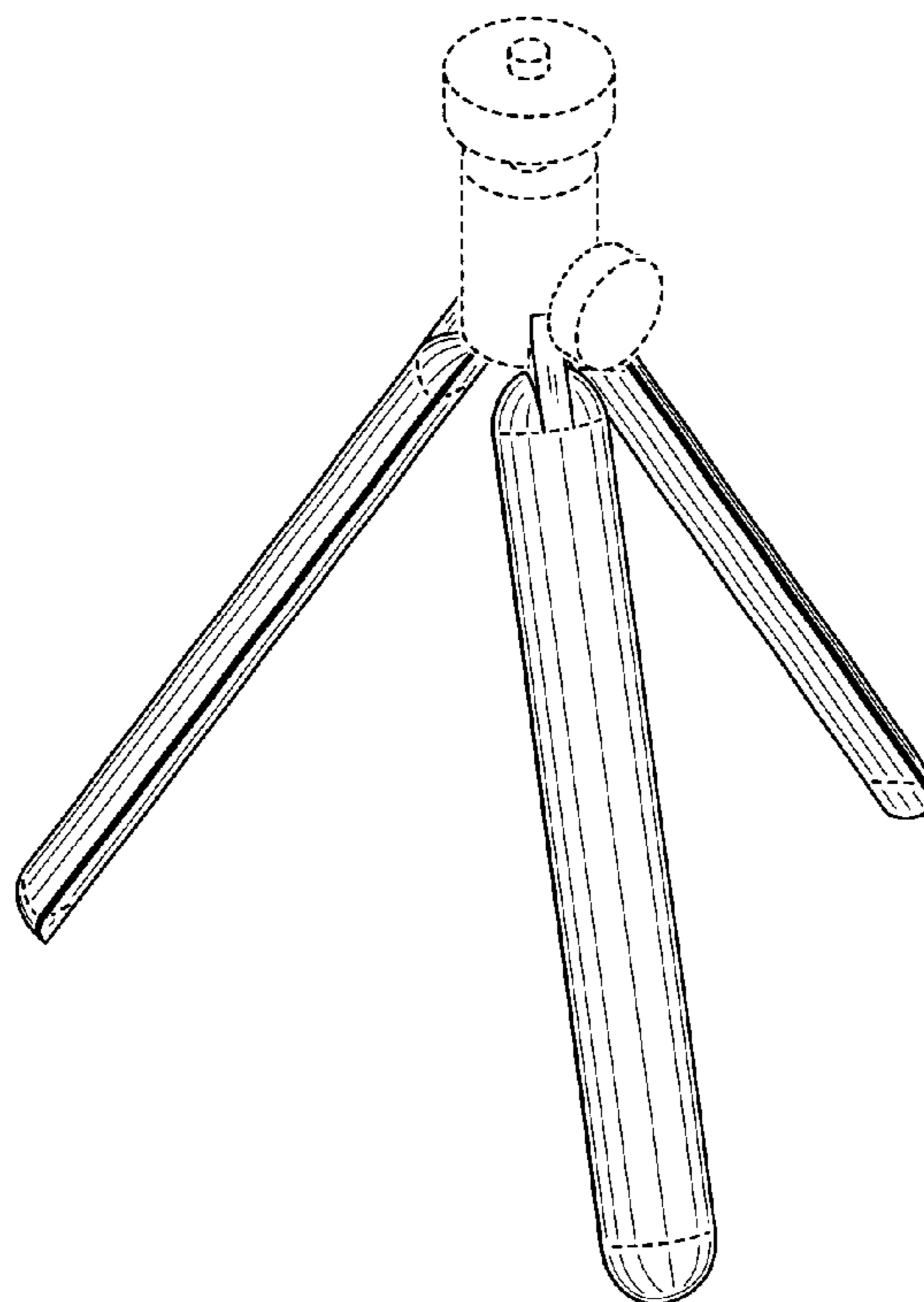
FIG. 5 is a right side elevational view thereof;

FIG. 6 is a top plan view thereof; and,

FIG. 7 is a bottom plan view thereof.

Portions of FIGS. 1-7 that are shown as broken lines are for illustrative purpose only and form no part of the claimed design.

1 Claim, 7 Drawing Sheets



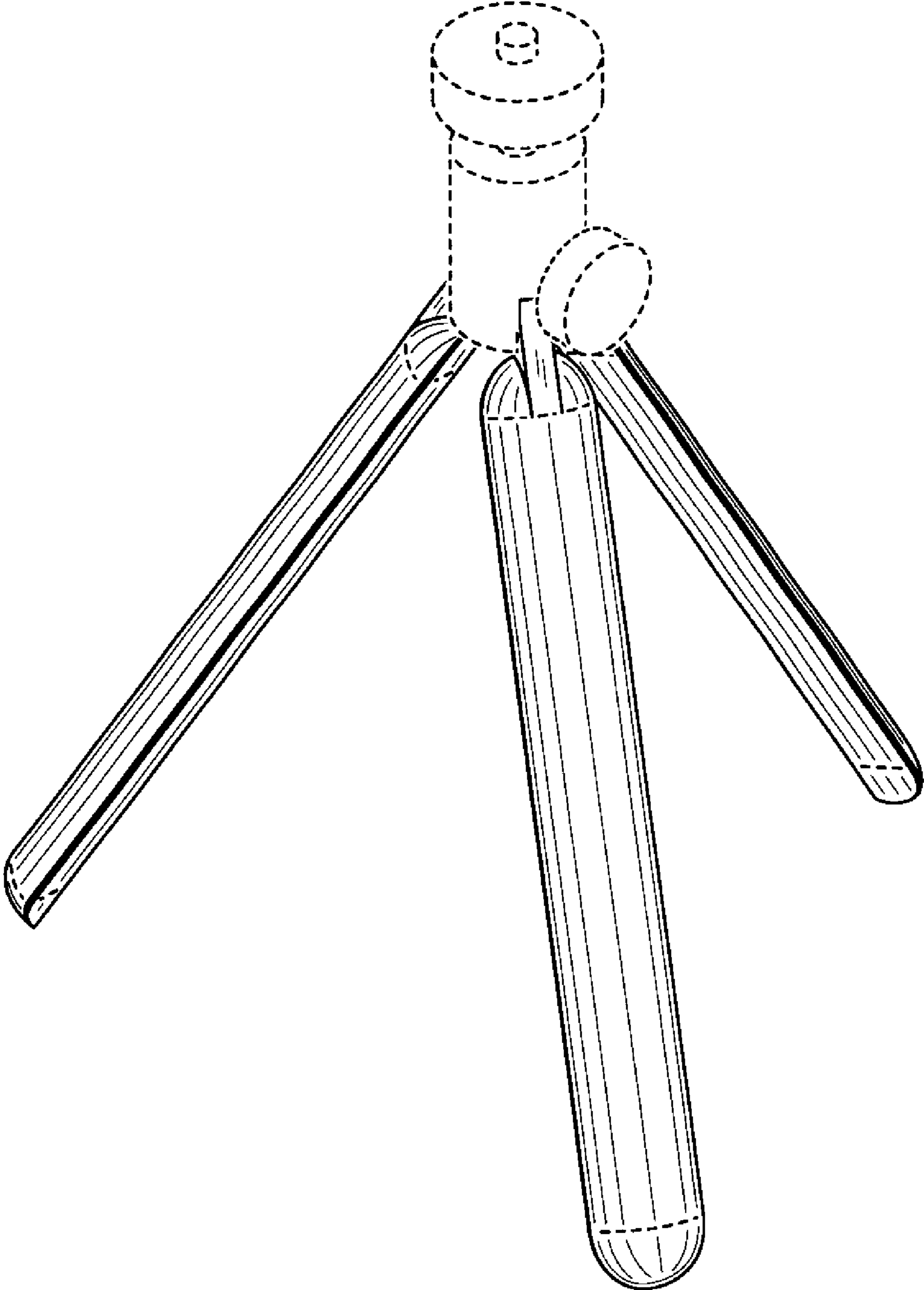


FIG. 1

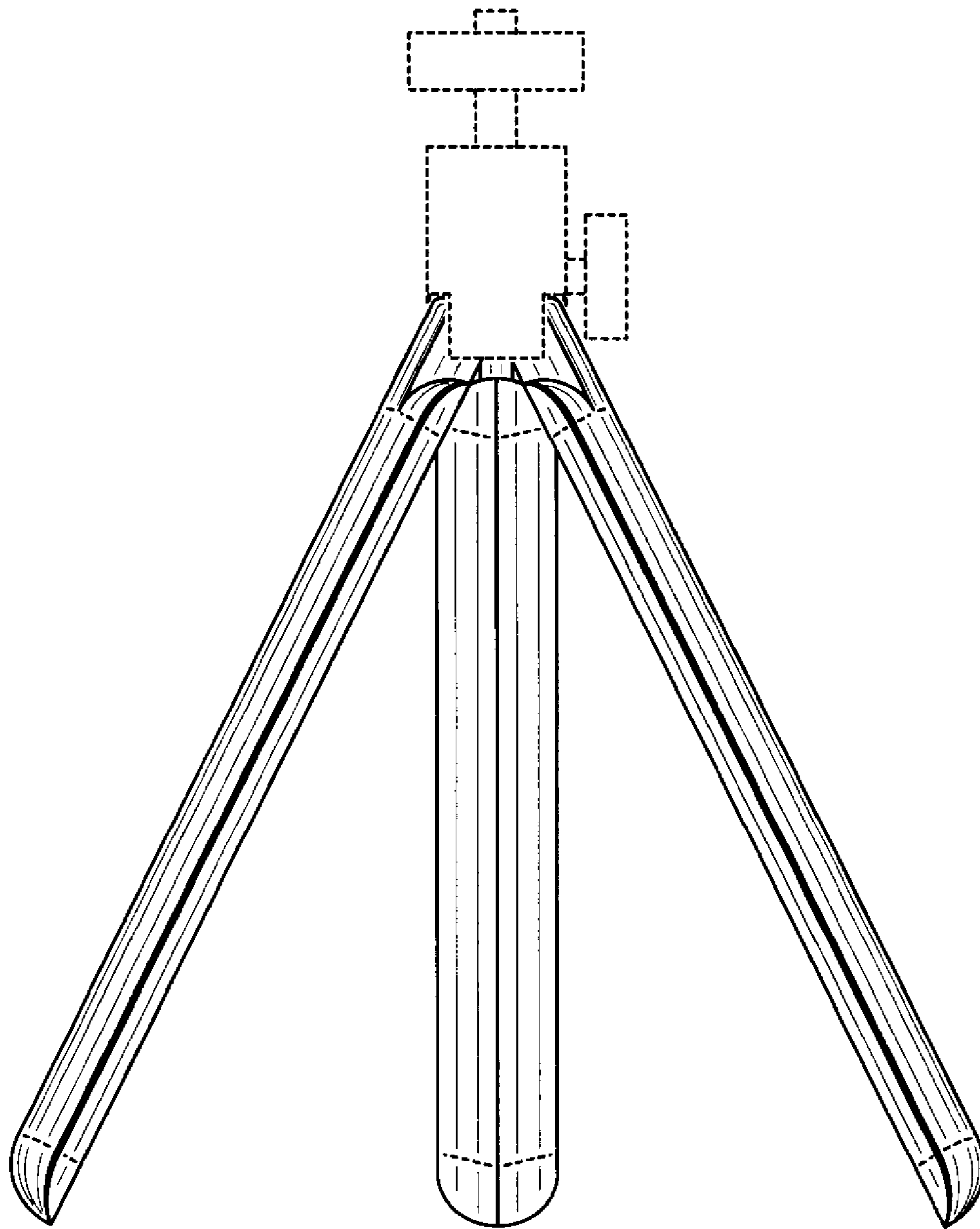


FIG. 2

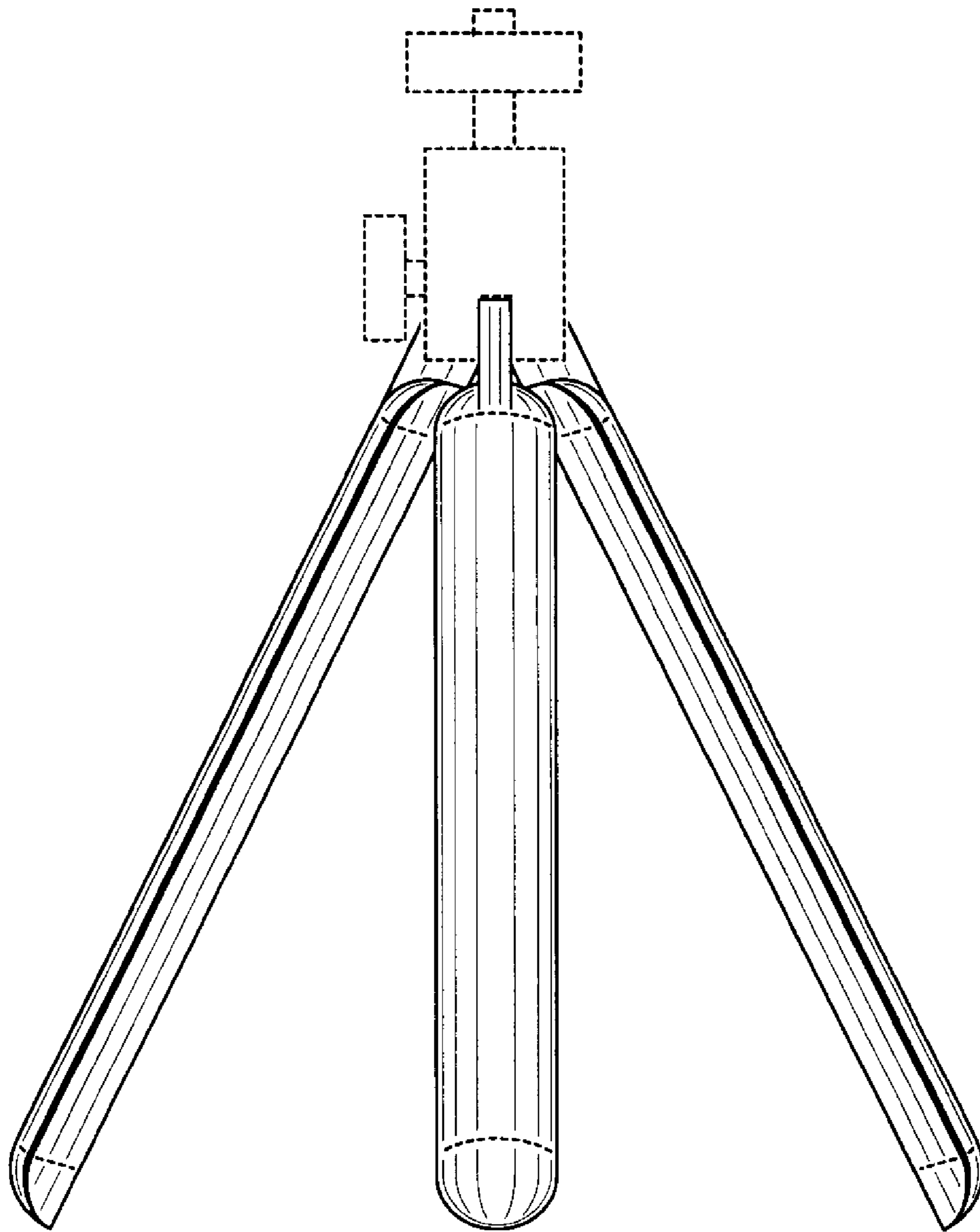


FIG. 3

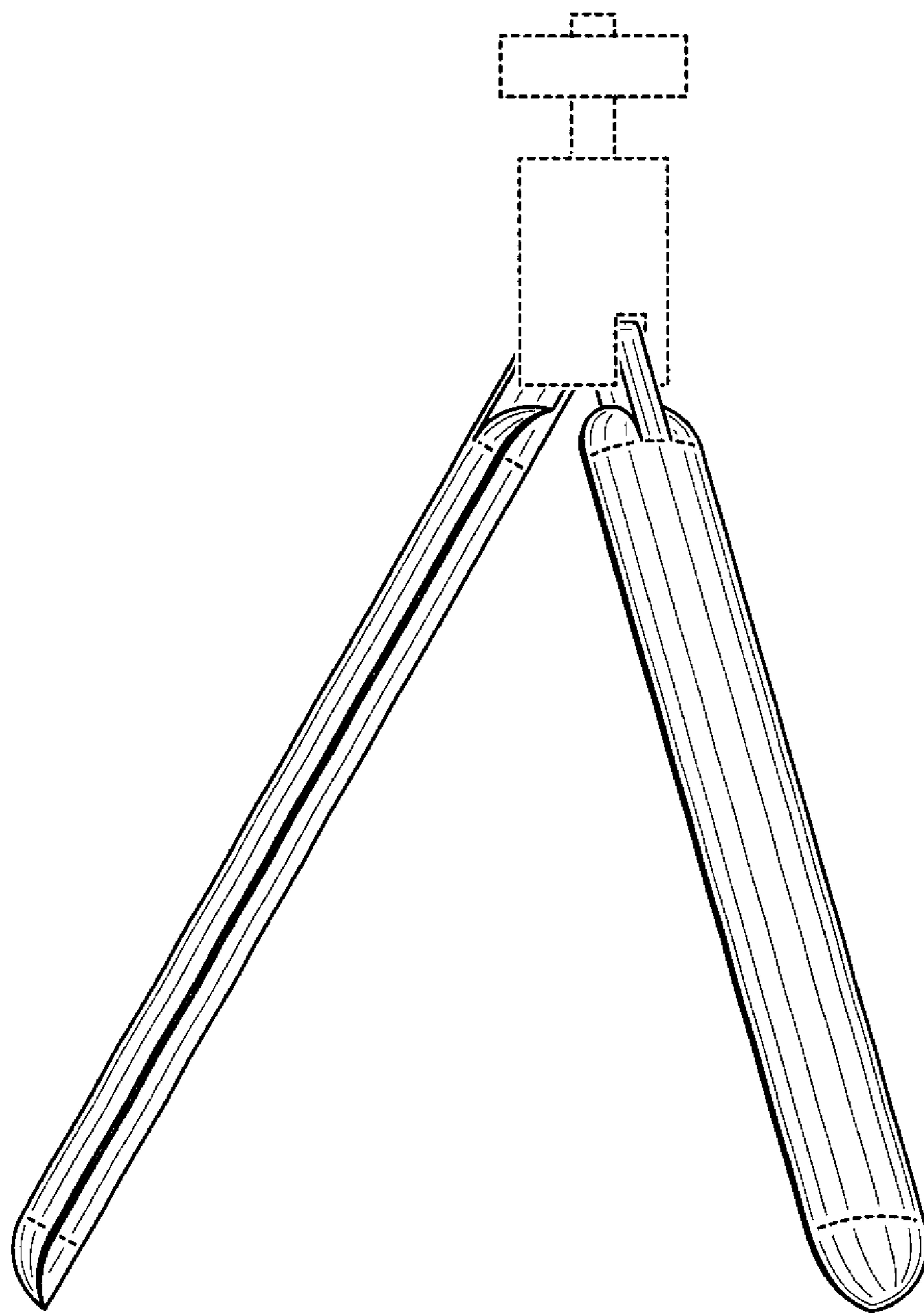


FIG. 4

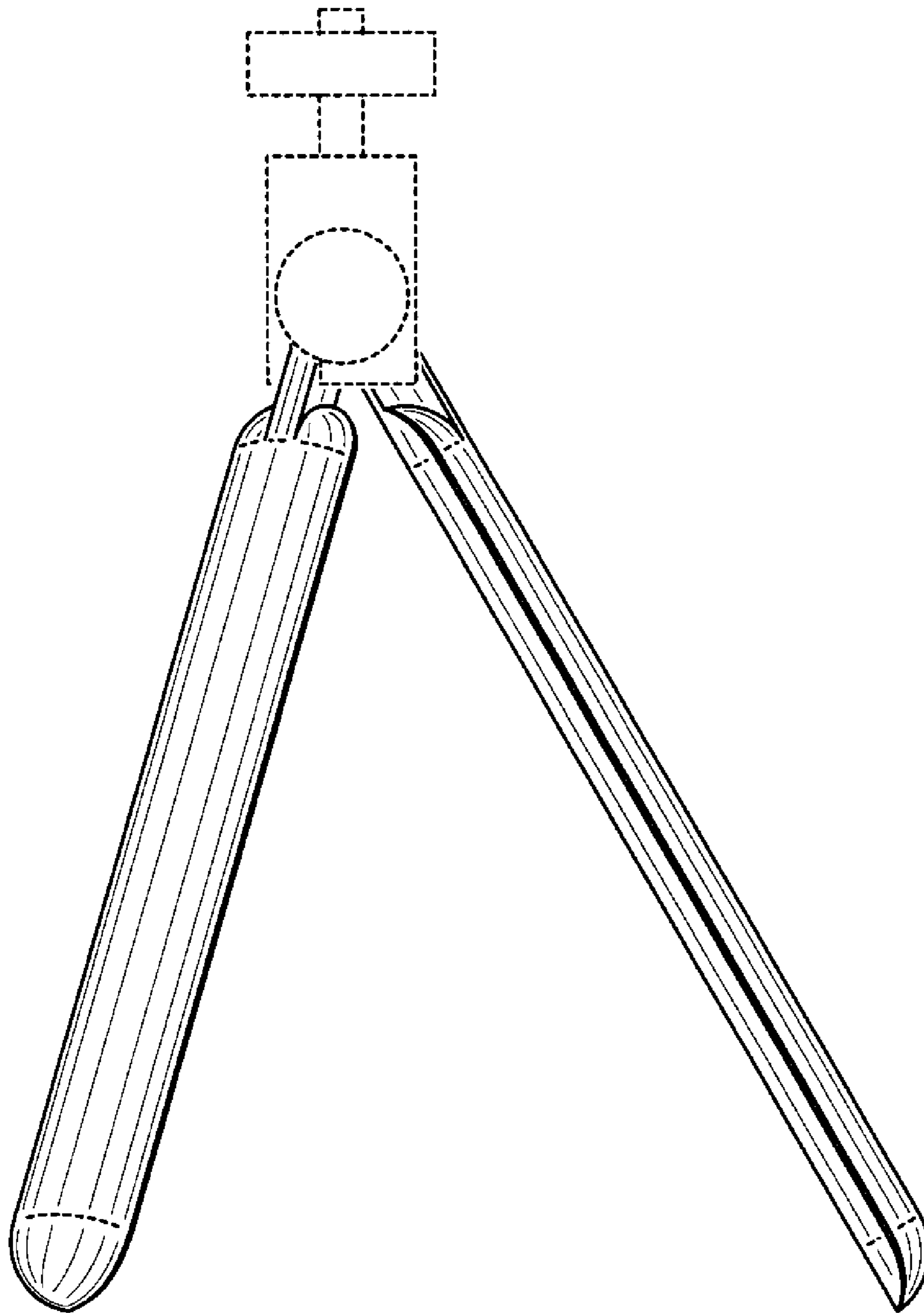


FIG. 5

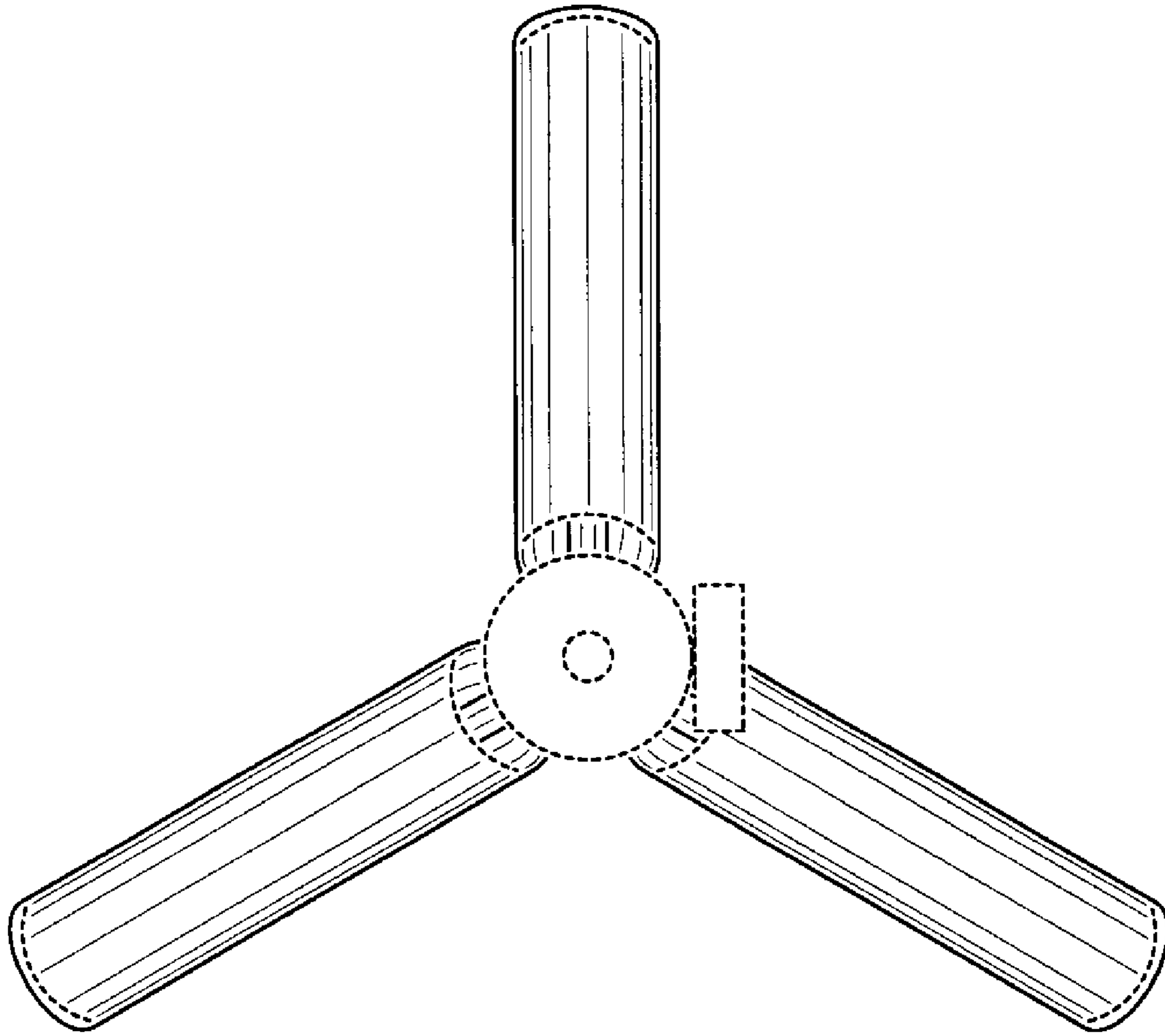


FIG. 6

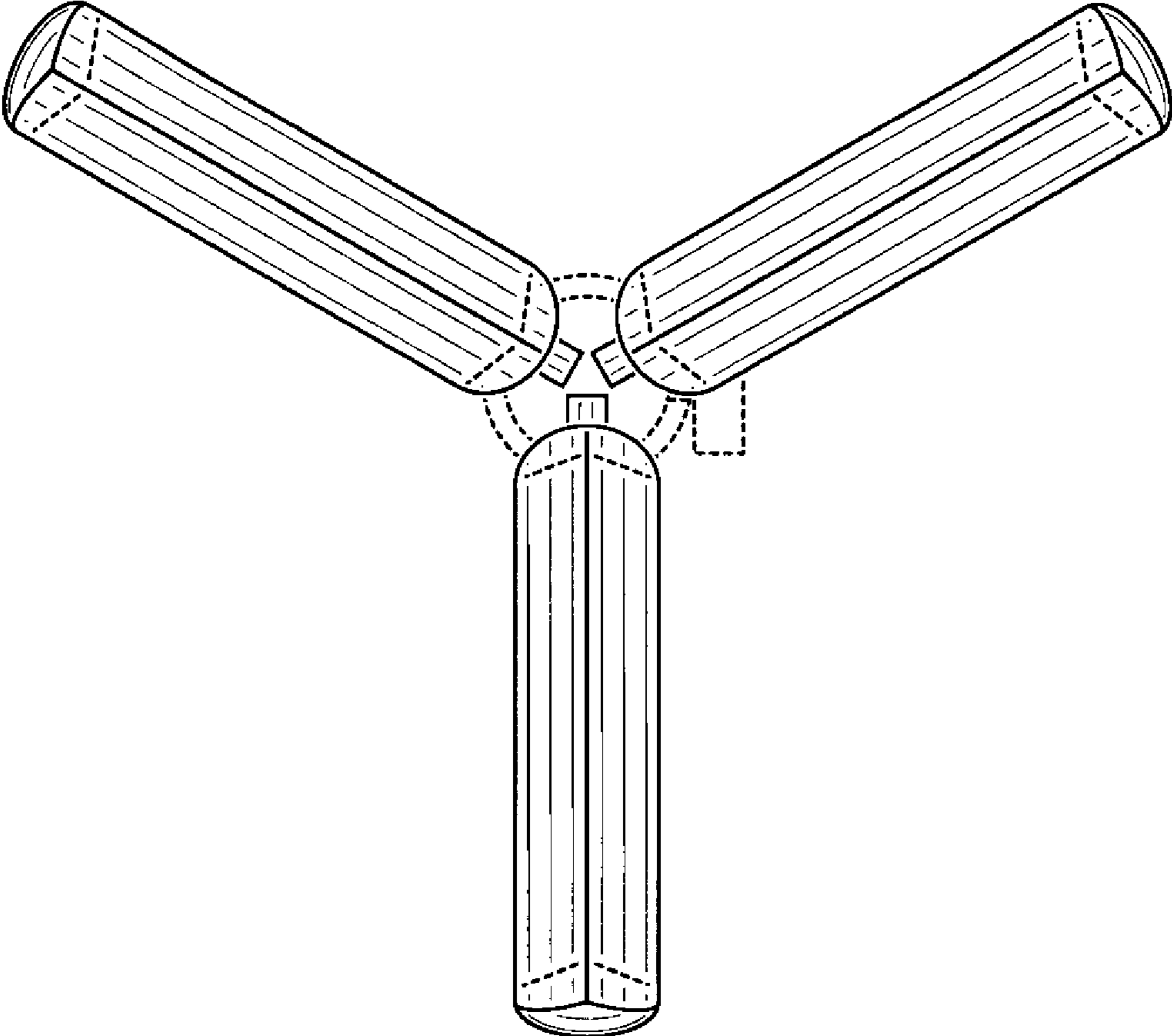


FIG. 7