



US00D533577S

(12) **United States Design Patent**
Ishii

(10) **Patent No.:** **US D533,577 S**

(45) **Date of Patent:** **** Dec. 12, 2006**

(54) **CRADLE**

D483,052 S * 12/2003 Utsunomiya D16/242
D508,459 S * 8/2005 Yoshida D13/108
D520,945 S * 5/2006 Hayamizu D13/108

(75) Inventor: **Daisuke Ishii**, Tokyo (JP)

* cited by examiner

(73) Assignee: **Sony Corporation**, Tokyo (JP)

Primary Examiner—Adir Aronovich
(74) *Attorney, Agent, or Firm*—Rader, Fishman & Grauer
PLLC

(**) Term: **14 Years**

(21) Appl. No.: **29/245,641**

(22) Filed: **Dec. 28, 2005**

(57) **CLAIM**

(30) **Foreign Application Priority Data**

The ornamental design for a cradle, as shown.

Sep. 29, 2005 (JP) 2005-028274

DESCRIPTION

(51) **LOC (8) Cl.** **16-05**

FIG. 1 is a perspective view of a cradle showing my new design;

(52) **U.S. Cl.** **D16/242**

FIG. 2 is a front elevational view thereof;

(58) **Field of Classification Search** D16/219,

FIG. 3 is a rear elevational view thereof;

D16/237, 242; 224/908; 248/127, 176.1,

FIG. 4 is a left side elevational view thereof;

248/346.1, 346.3; 396/419

FIG. 5 is a right side elevational view thereof;

See application file for complete search history.

FIG. 6 is a top plan view thereof; and,

FIG. 7 is a bottom plan view thereof.

(56) **References Cited**

U.S. PATENT DOCUMENTS

D355,415 S * 2/1995 Isozaki D16/237

1 Claim, 7 Drawing Sheets

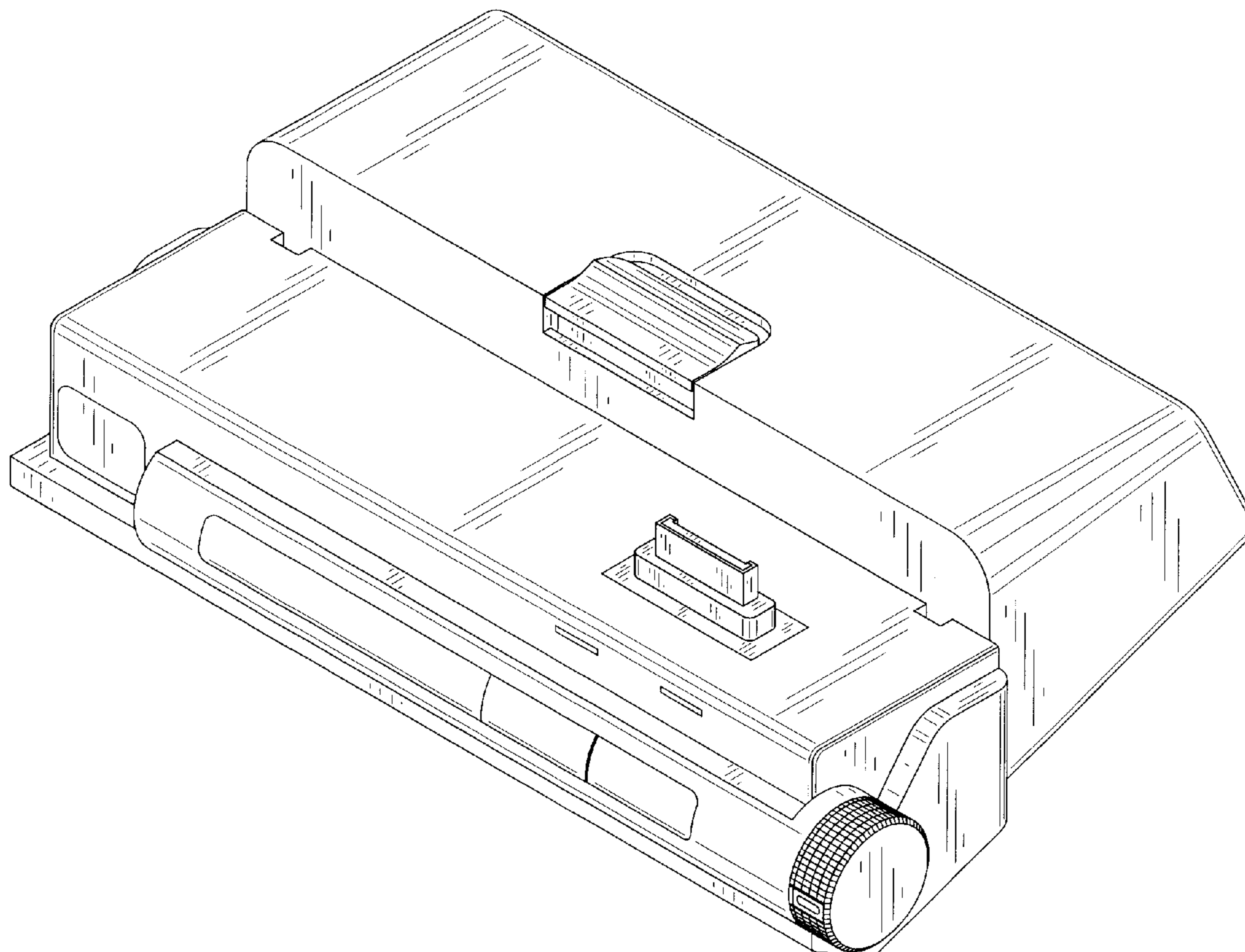


Fig.1

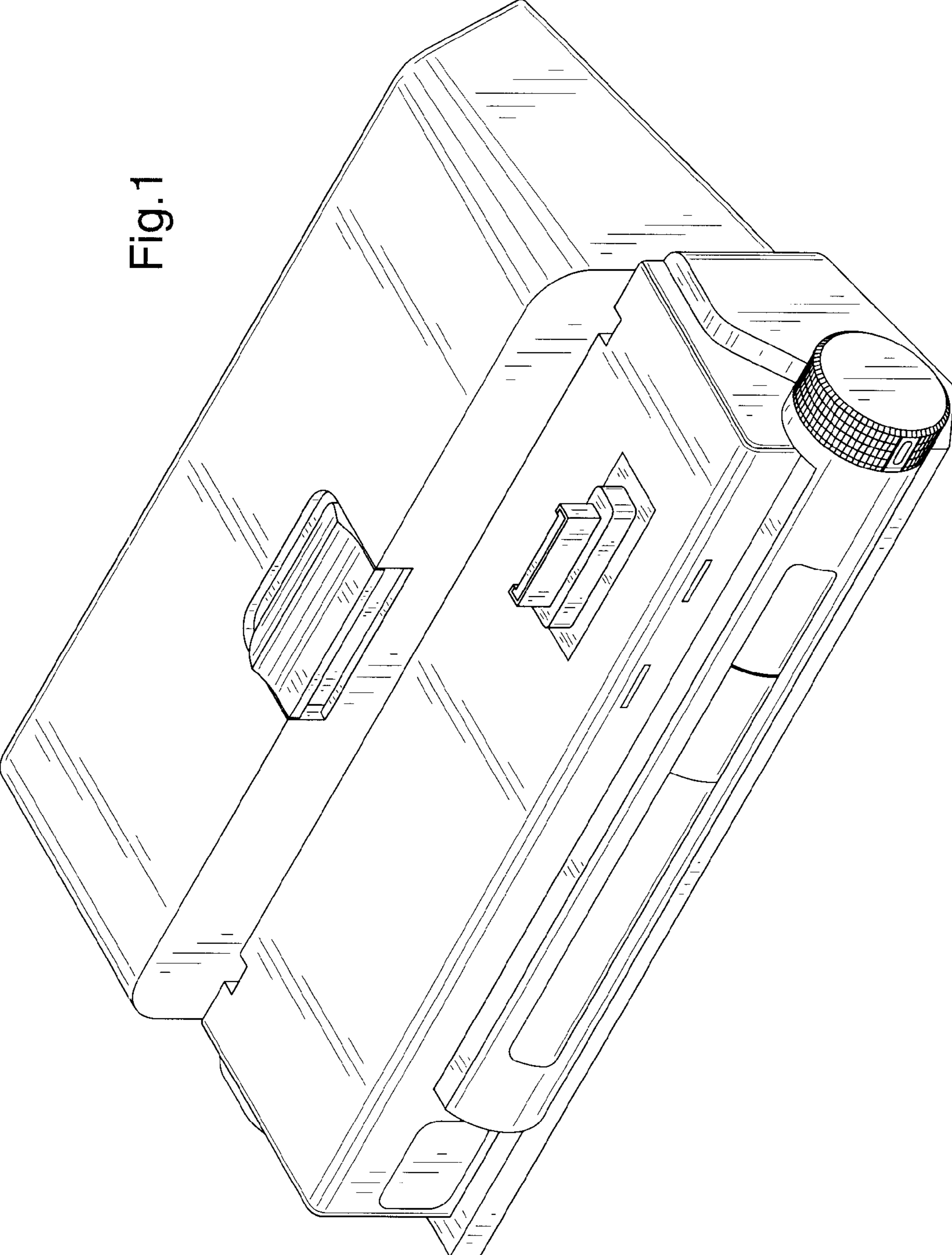


Fig.2

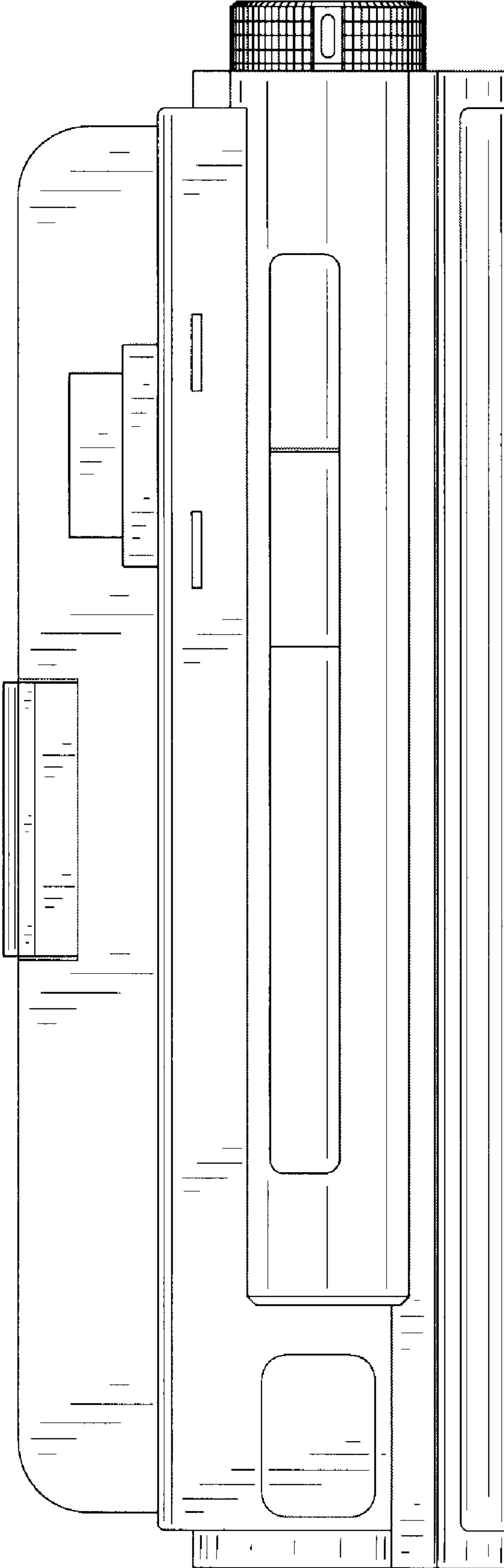


Fig.3



Fig. 4

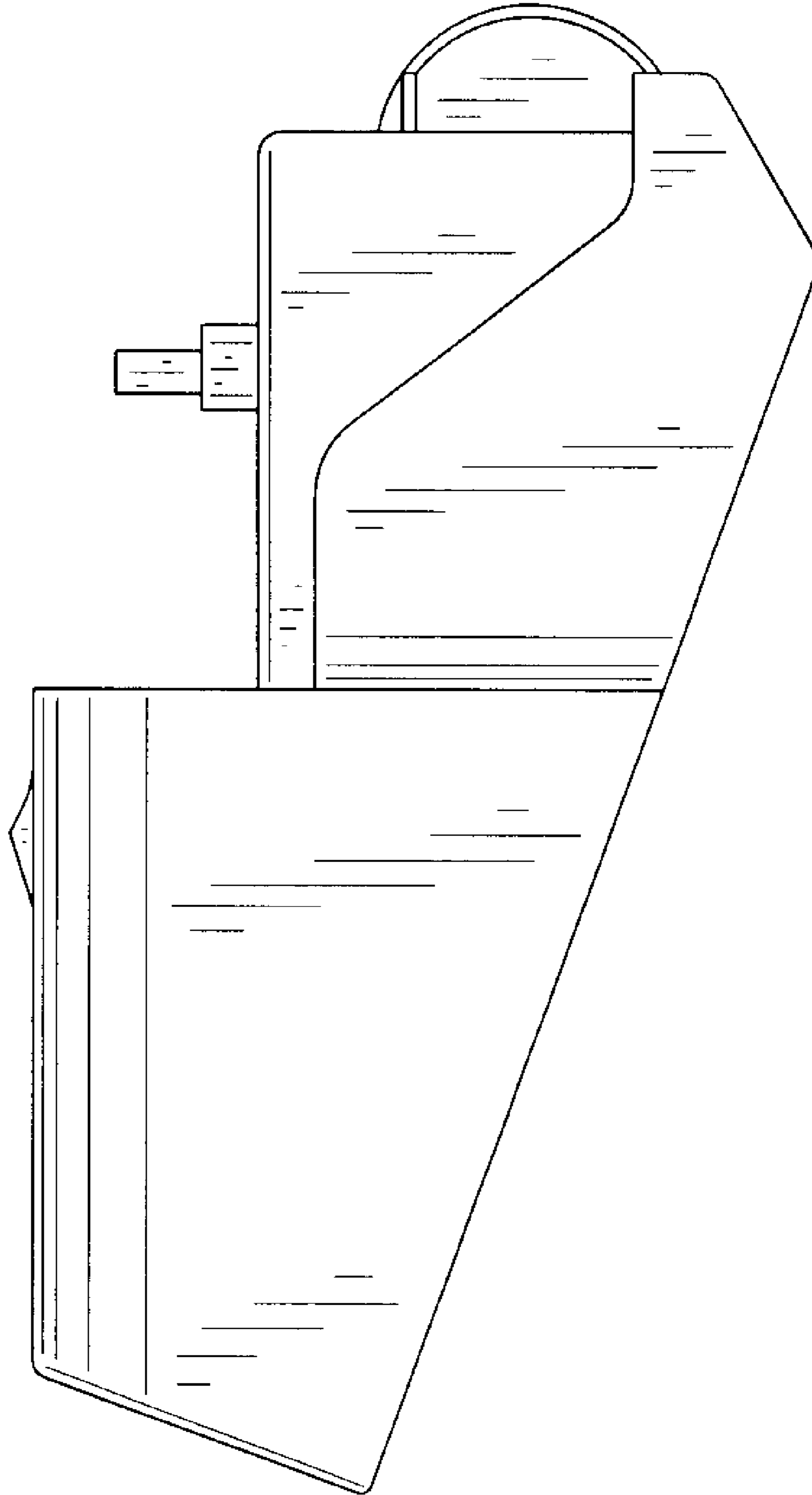


Fig.5

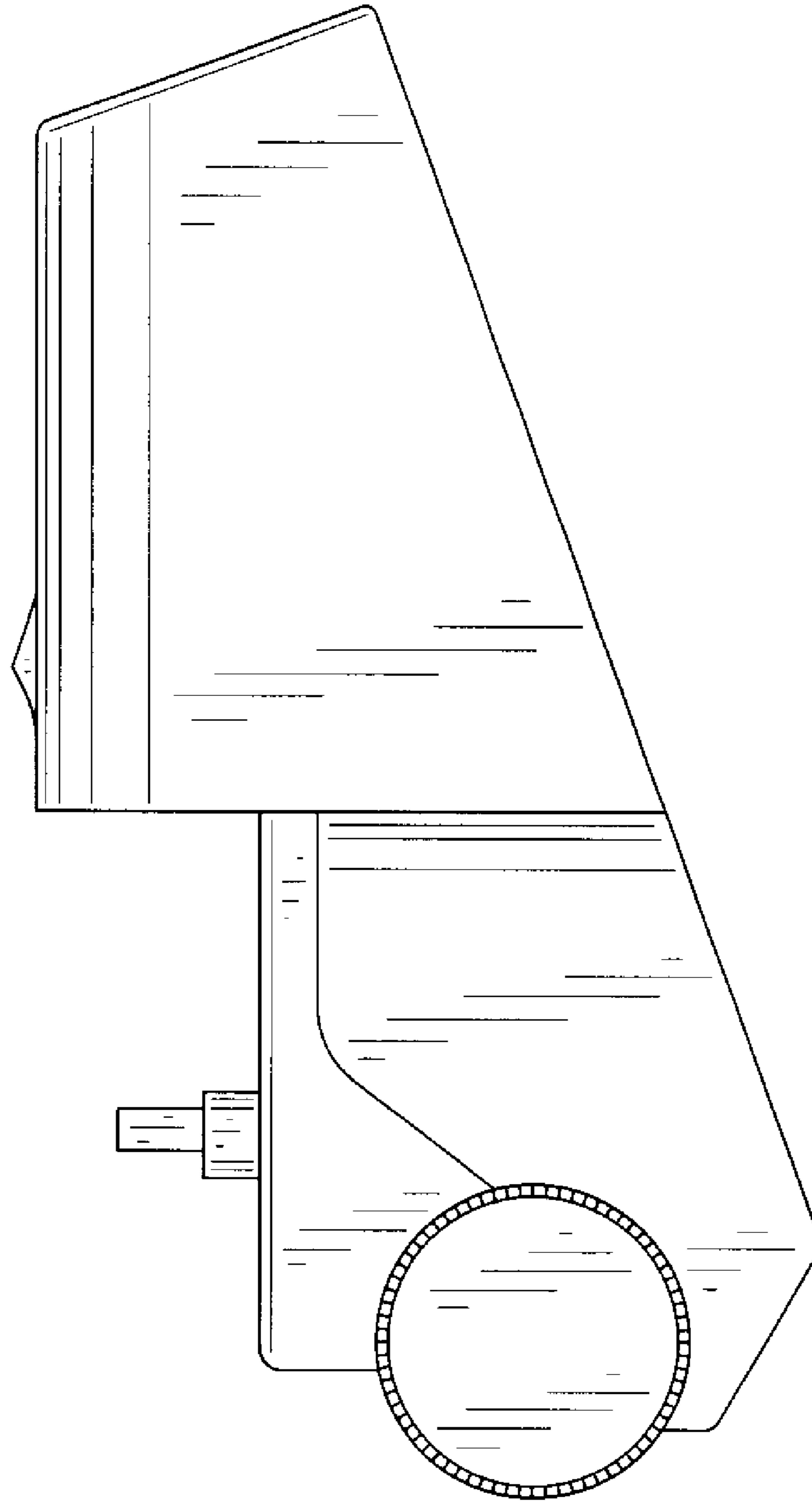


Fig.6

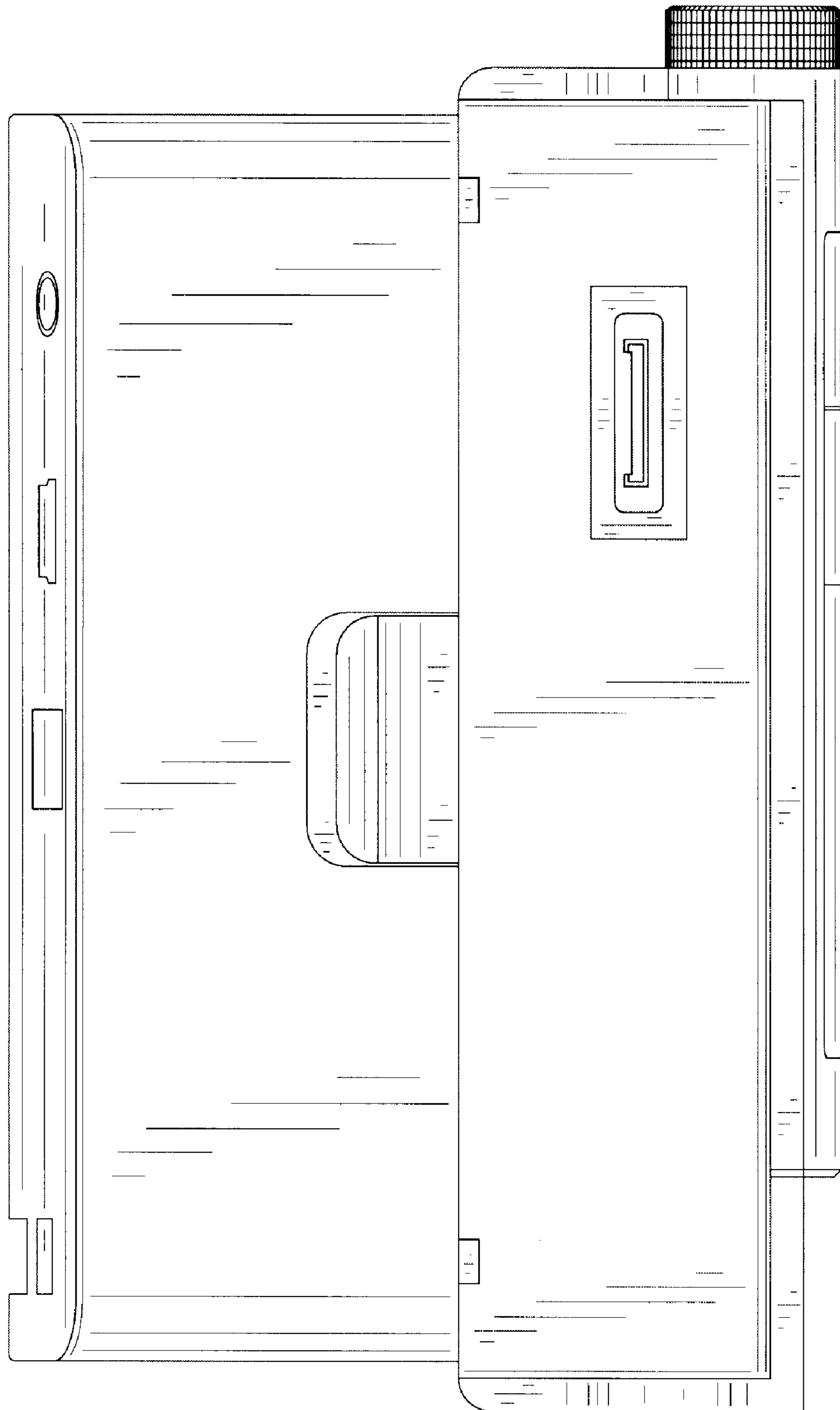


Fig.7

