



US00D533576S

(12) **United States Design Patent**
Martres et al.

(10) **Patent No.:** **US D533,576 S**

(45) **Date of Patent:** **** Dec. 12, 2006**

(54) **CAMERA**

(75) Inventors: **Eduardo Martres**, Fort Collins, CO (US); **Nathan Mortensen**, Berthoud, CO (US); **Fred O. Stephens**, Loveland, CO (US); **Oscar Enrique Pena Angarita**, London (GB); **Leon Thomas Lee Marsh**, Shere (GB)

(73) Assignee: **Hewlett-Packard Development Company, L.P.**, Houston, TX (US)

(**) Term: **14 Years**

(21) Appl. No.: **29/230,723**

(22) Filed: **May 24, 2005**

(51) **LOC (8) Cl.** **16-01**

(52) **U.S. Cl.** **D16/218; D16/202**

(58) **Field of Classification Search** D16/200-205, D16/208, 209, 218; 348/373-376; 358/909.1; 396/535-541

See application file for complete search history.

(56) **References Cited**

U.S. PATENT DOCUMENTS

D388,449 S * 12/1997 Ohi et al. D16/202

D447,759 S * 9/2001 Jin D16/209
D499,128 S * 11/2004 Martres et al. D16/218
D503,417 S * 3/2005 Kawase D16/202
2005/0012852 A1 * 1/2005 Gann et al. 348/373

* cited by examiner

Primary Examiner—Adir Aronovich

(57) **CLAIM**

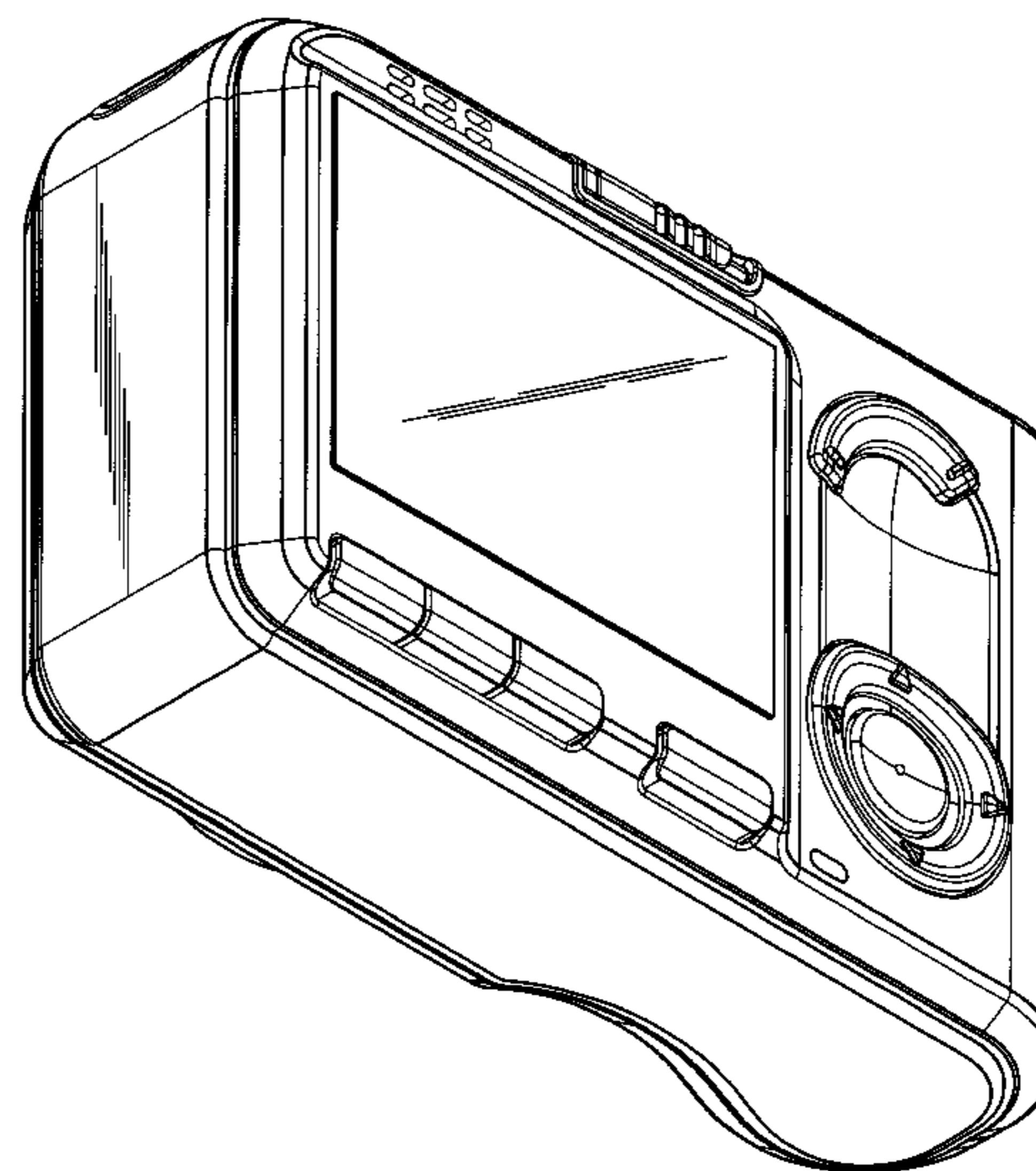
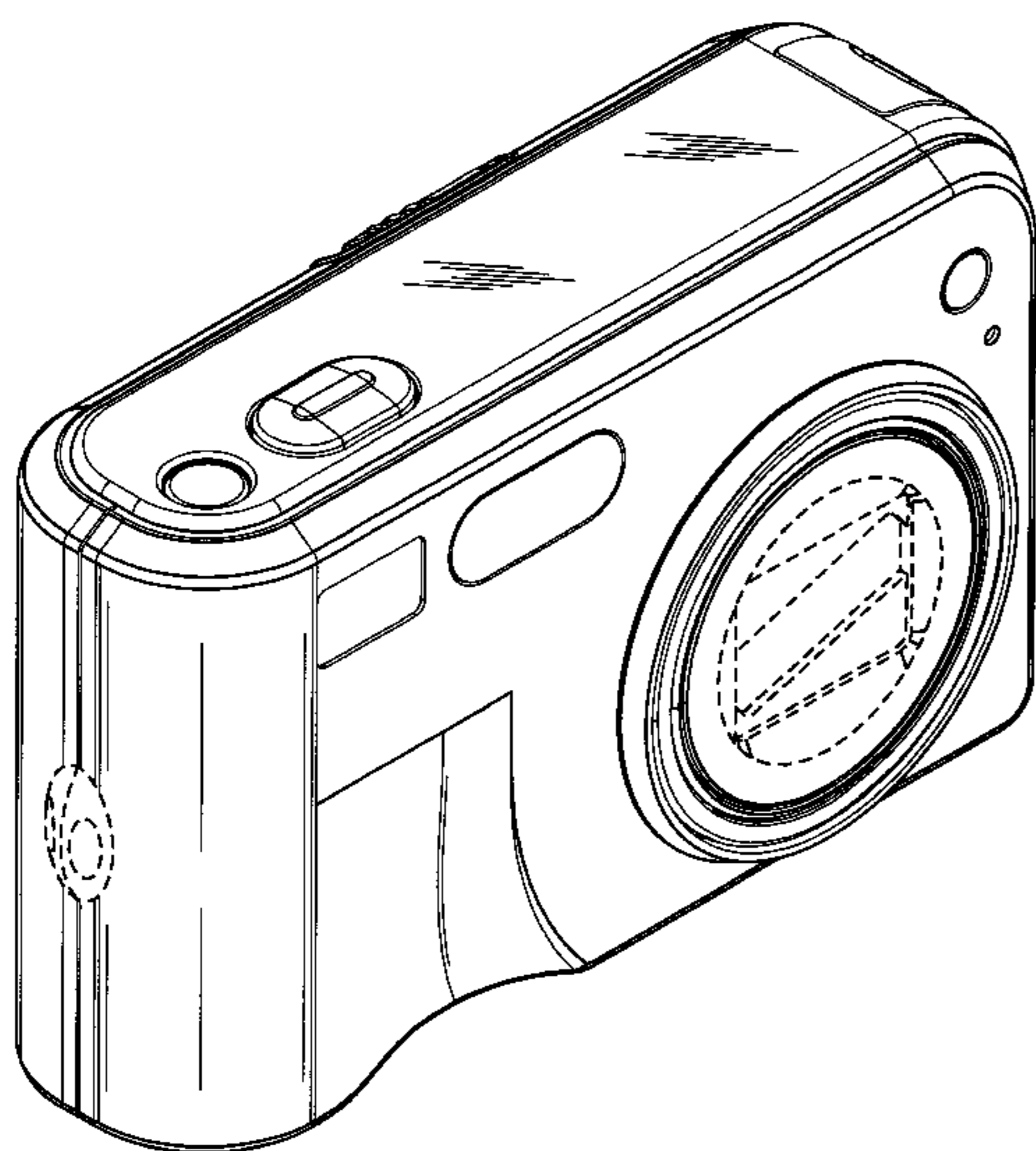
The ornamental design for a camera, as shown and described.

DESCRIPTION

FIG. 1 is a top, front, left side isometric view of a camera; FIG. 2 is a bottom, rear, right side isometric view thereof; FIG. 3 is a front elevation view thereof; FIG. 4 is a rear elevation view thereof; FIG. 5 is a top plan view thereof; FIG. 6 is a bottom plan view thereof; FIG. 7 is a left side elevation view thereof; and, FIG. 8 is a right side elevation view thereof.

The portions of the camera in broken lines are shown for illustrative purposes only and form no part of the claimed design.

1 Claim, 8 Drawing Sheets



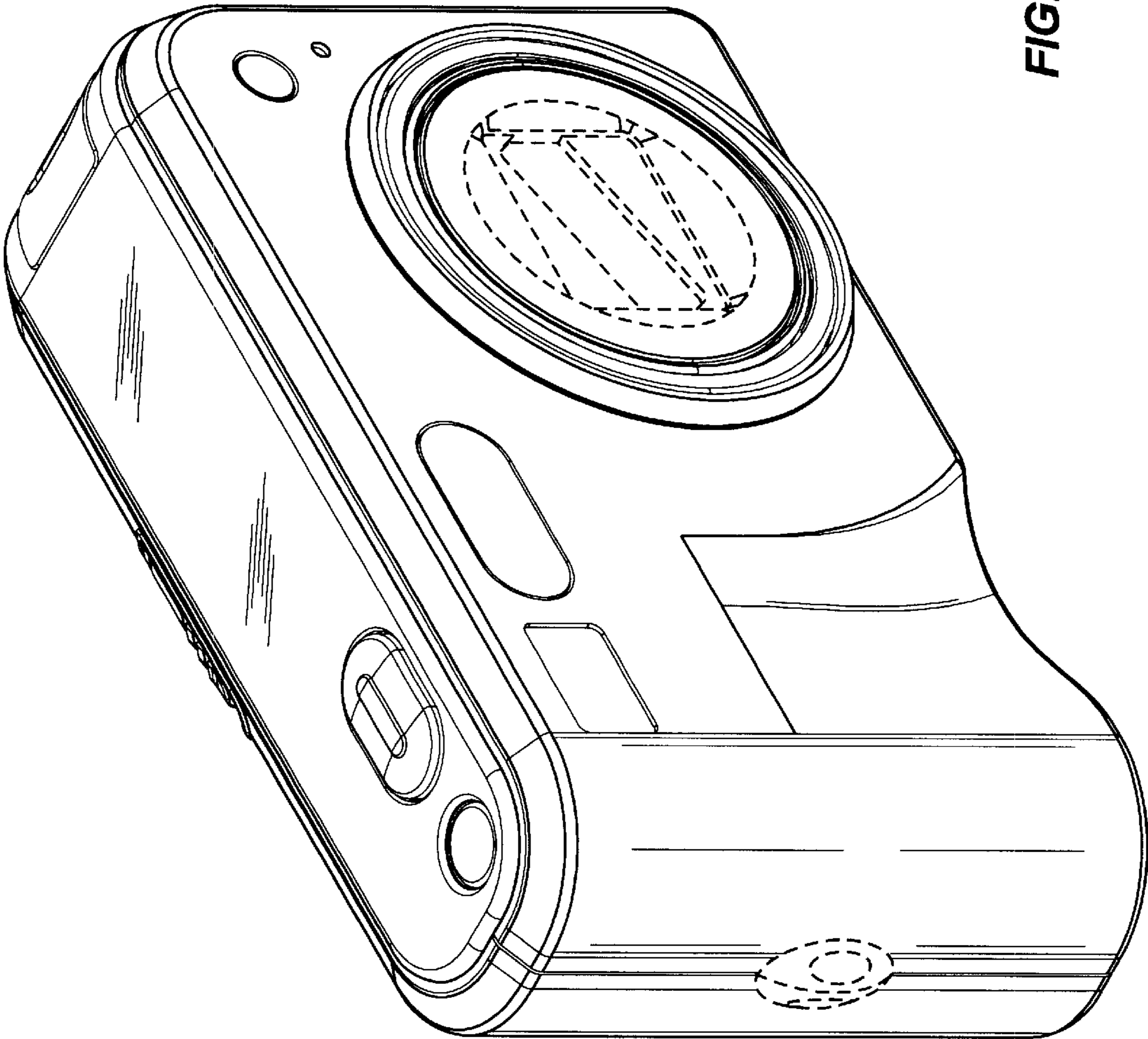


FIG. 1

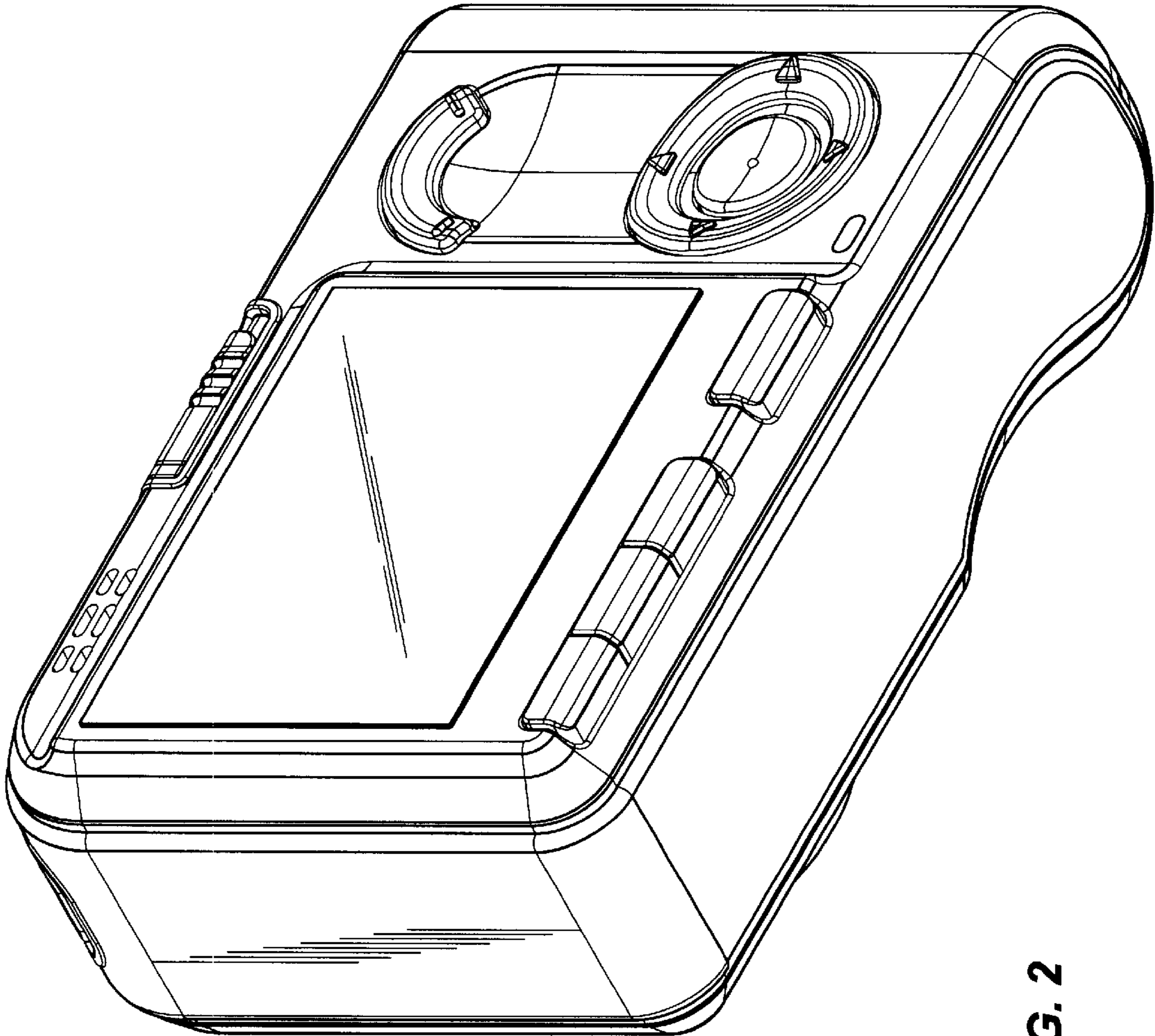


FIG. 2

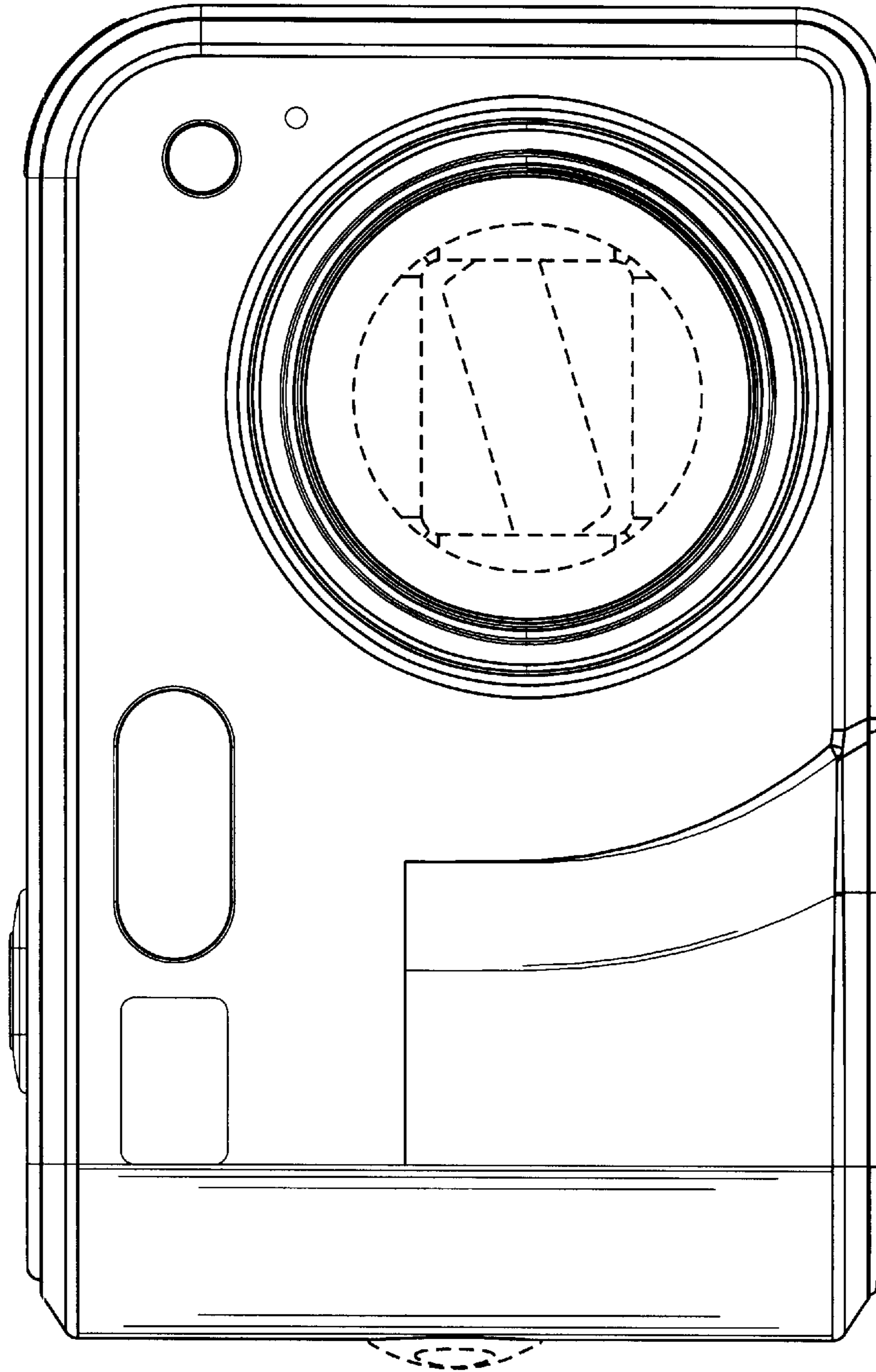


FIG. 3

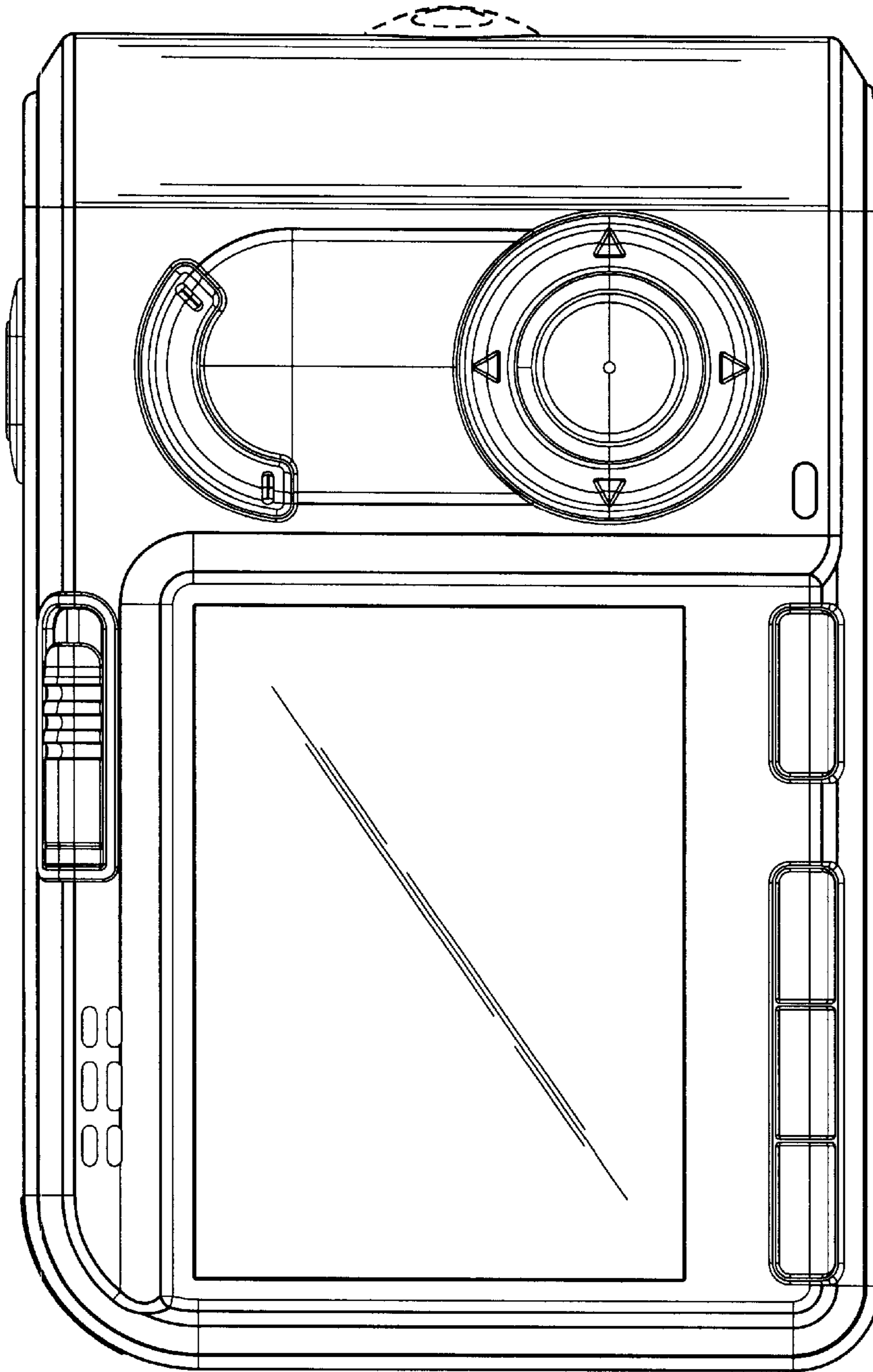


FIG. 4

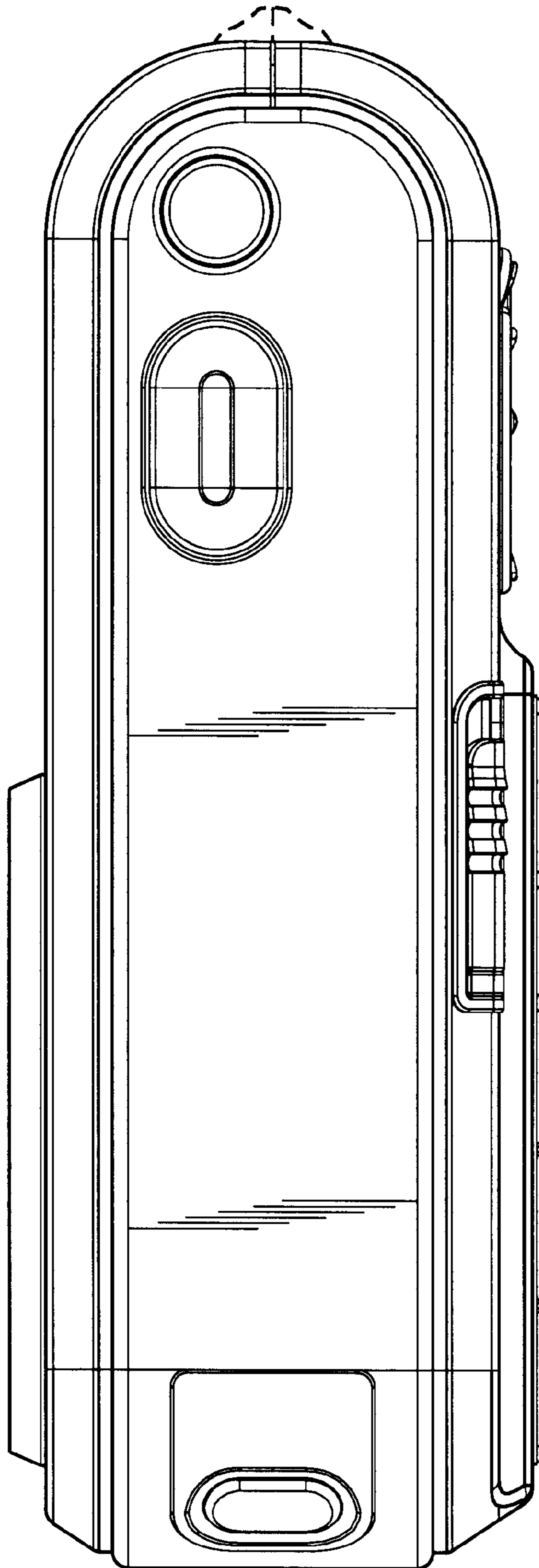


FIG. 5

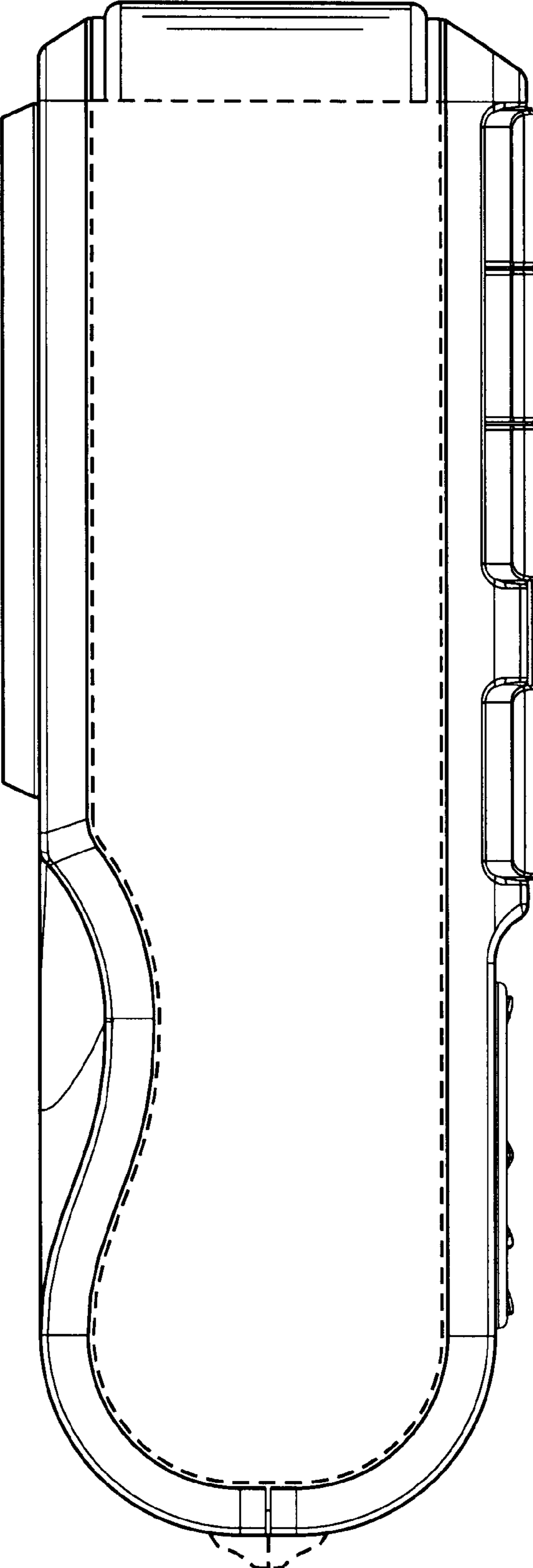


FIG. 6

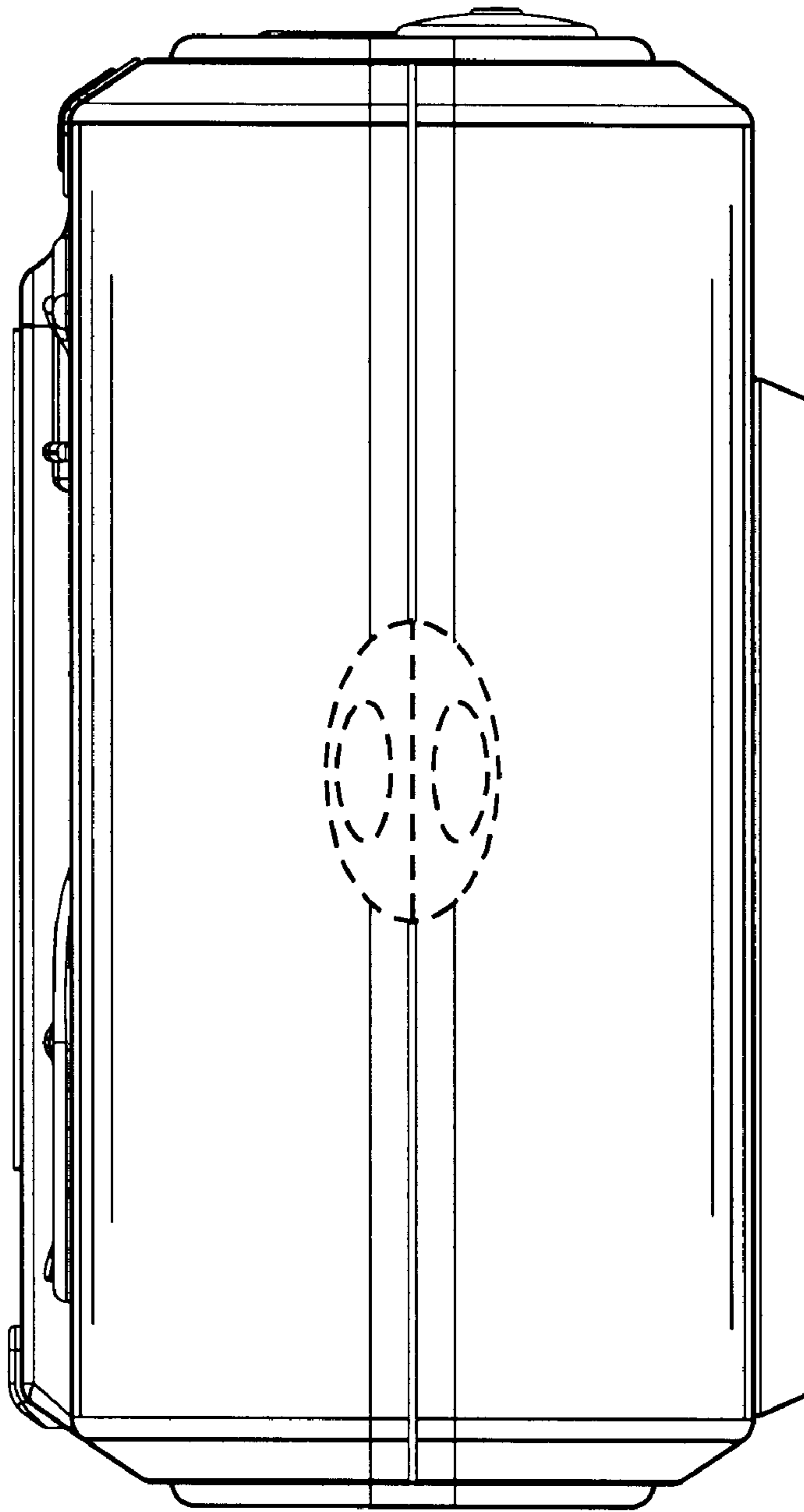


FIG. 7

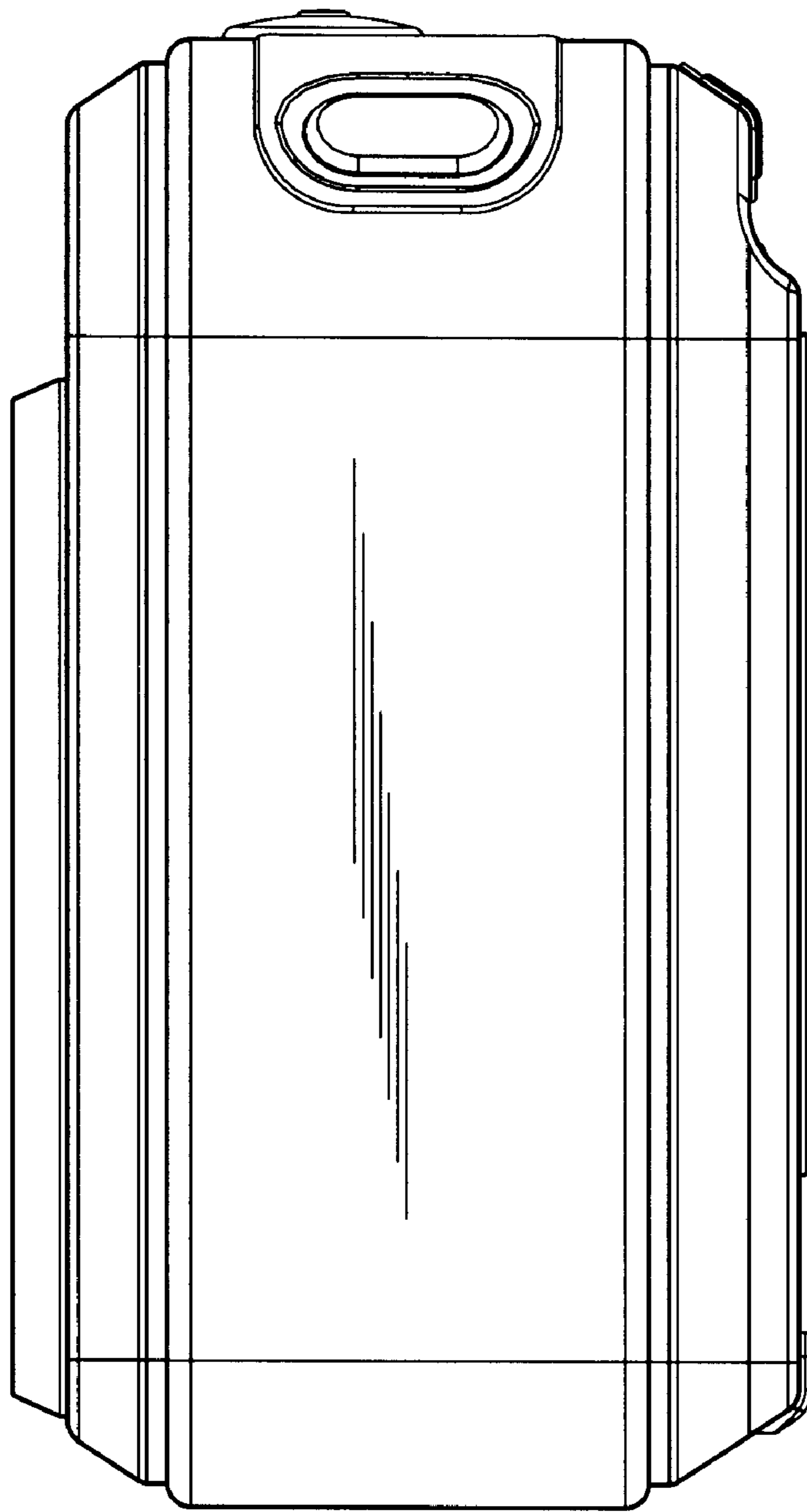


FIG. 8