



US00D533575S

(12) **United States Design Patent**  
**Reawsanguanwong et al.**

(10) **Patent No.:** **US D533,575 S**  
(45) **Date of Patent:** **\*\* Dec. 12, 2006**

(54) **CAMERA**

(75) Inventors: **Kittichai Reawsanguanwong**,  
Singapore (SG); **Anthony Kok Chong**  
**Oh**, Singapore (SG); **Kin Fui Chong**,  
Singapore (SG)

(73) Assignee: **Creative Technology Ltd**, Singapore  
(SG)

(\*\*) Term: **14 Years**

(21) Appl. No.: **29/251,070**

(22) Filed: **Jan. 3, 2006**

(51) **LOC (8) Cl.** ..... **16-01**

(52) **U.S. Cl.** ..... **D16/202**

(58) **Field of Classification Search** ..... D16/200–205,  
D16/208, 218, 219, 242; 248/121, 126, 918;  
348/14.08, 14.09, 14.1, 373–376; 358/909.1;  
396/419, 427, 535–541

See application file for complete search history.

(56) **References Cited**

**U.S. PATENT DOCUMENTS**

D390,244 S	*	2/1998	Yamakawa et al.	.....	D16/202
D394,274 S	*	5/1998	Suzuki	.....	D16/202
D399,860 S	*	10/1998	Huang	.....	D16/202
5,855,343 A	*	1/1999	Krekelberg	.....	248/121
D430,587 S	*	9/2000	Summit	.....	D16/202
D455,165 S	*	4/2002	Tsang et al.	.....	D16/202

D475,070 S	*	5/2003	Ogura	.....	D16/202
6,705,774 B1	*	3/2004	Tashiro et al.	.....	396/427
D505,146 S	*	5/2005	Ou	.....	D16/203
2005/0247845 A1	*	11/2005	Li et al.	.....	248/918

**OTHER PUBLICATIONS**

AMAZON.COM web site featuring Ezonec 3 in 1 PC Camera (E&306) 5 pages, Aug. 23, 2004. Date first available for sale on Amazon: Sep. 29, 2003.\*

\* cited by examiner

*Primary Examiner*—Adir Aronovich

(74) *Attorney, Agent, or Firm*—P. Francois de Villiers

(57) **CLAIM**

The ornamental design for a camera, substantially as shown and described.

**DESCRIPTION**

FIG. 1 is a perspective front view of a camera in accordance with the present design;

FIG. 2 is a perspective rear view of the camera shown in FIG. 1;

FIG. 3 is a front view of the camera shown in FIG. 1;

FIG. 4 is a rear view of the camera shown in FIG. 1;

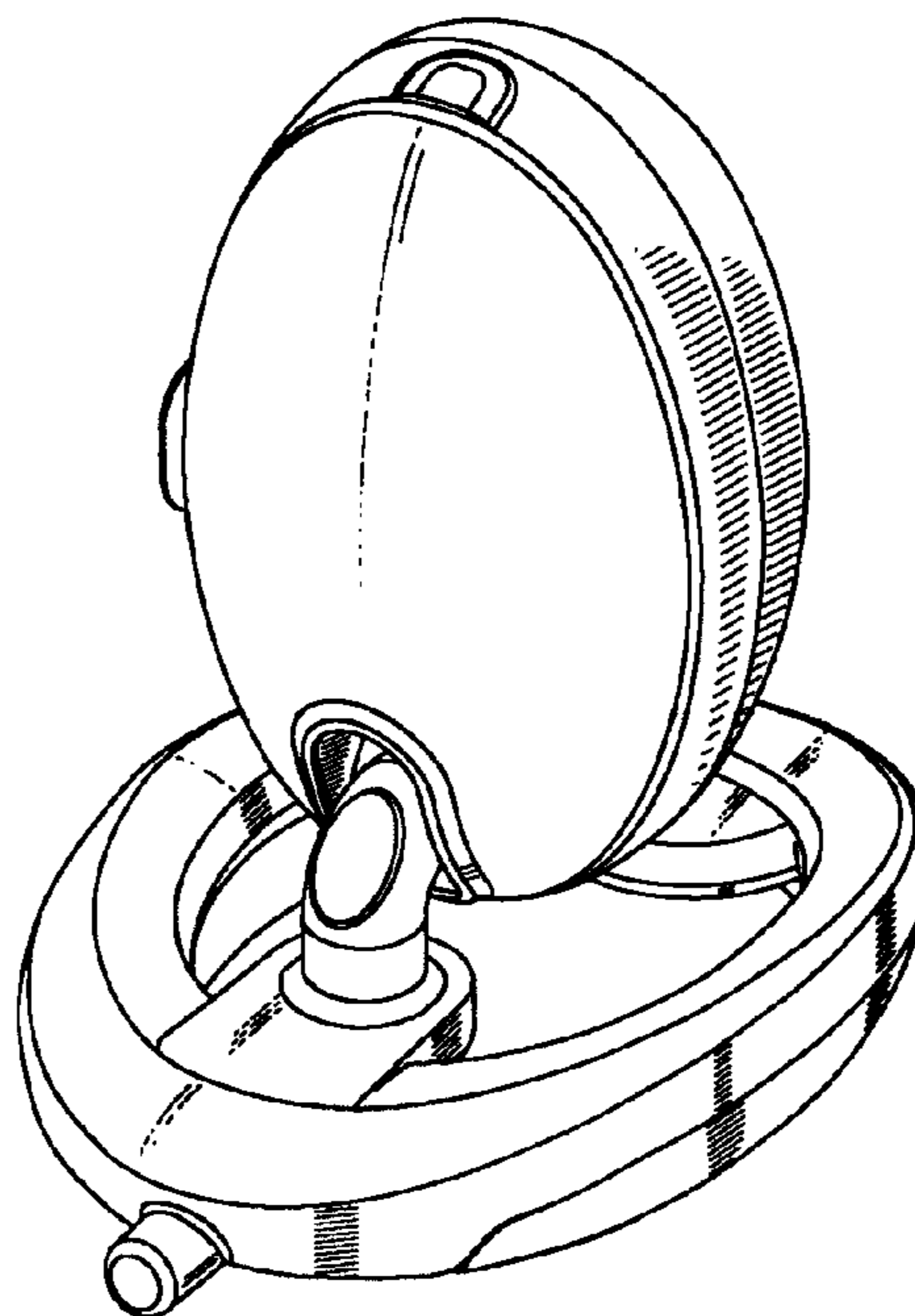
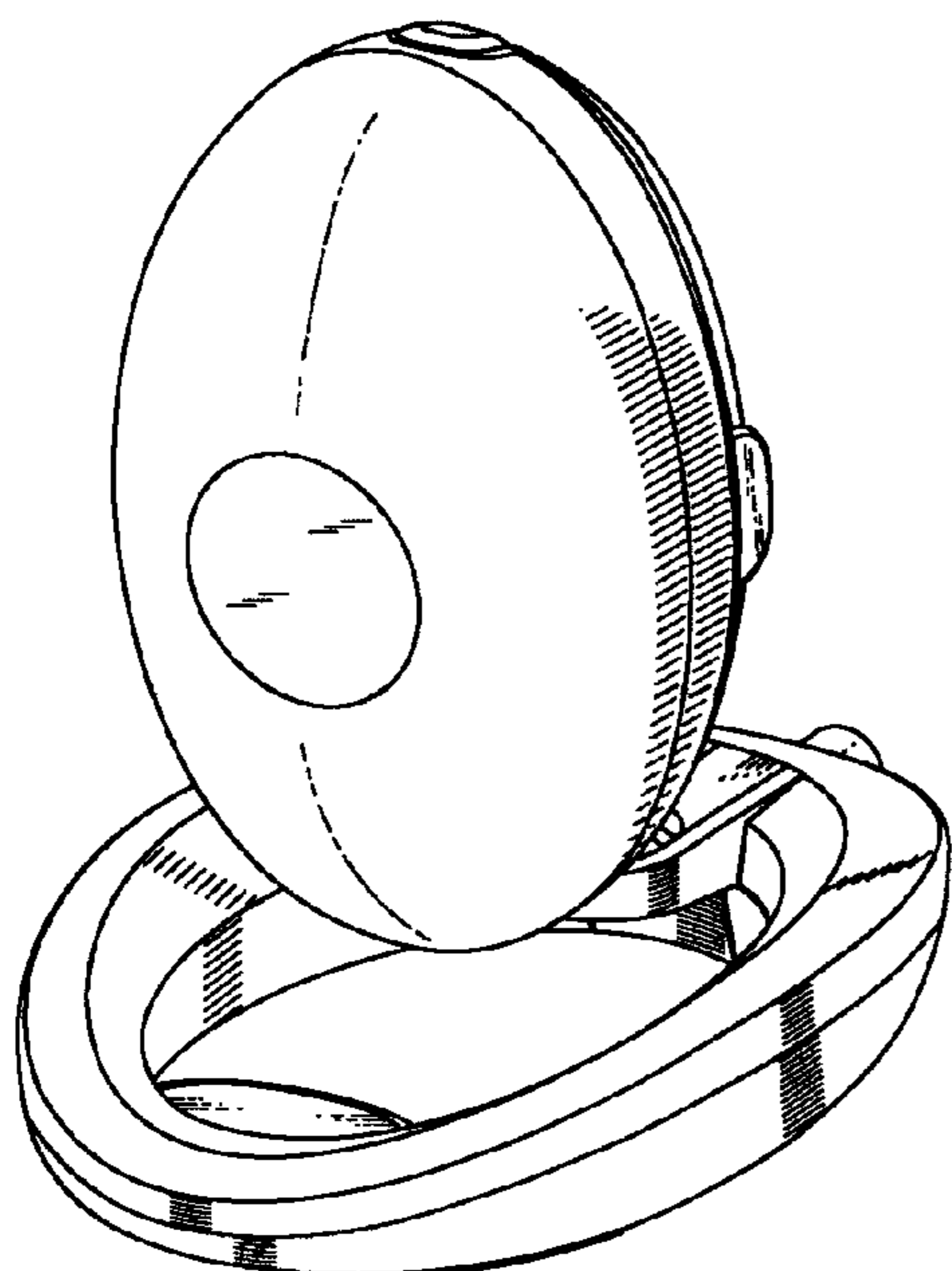
FIG. 5 is a left side view of the camera shown in FIG. 1;

FIG. 6 is a right side view of the camera shown in FIG. 1;

FIG. 7 is a top view of the camera shown in FIG. 1; and,

FIG. 8 is a bottom view of the camera shown in FIG. 1.

**1 Claim, 4 Drawing Sheets**



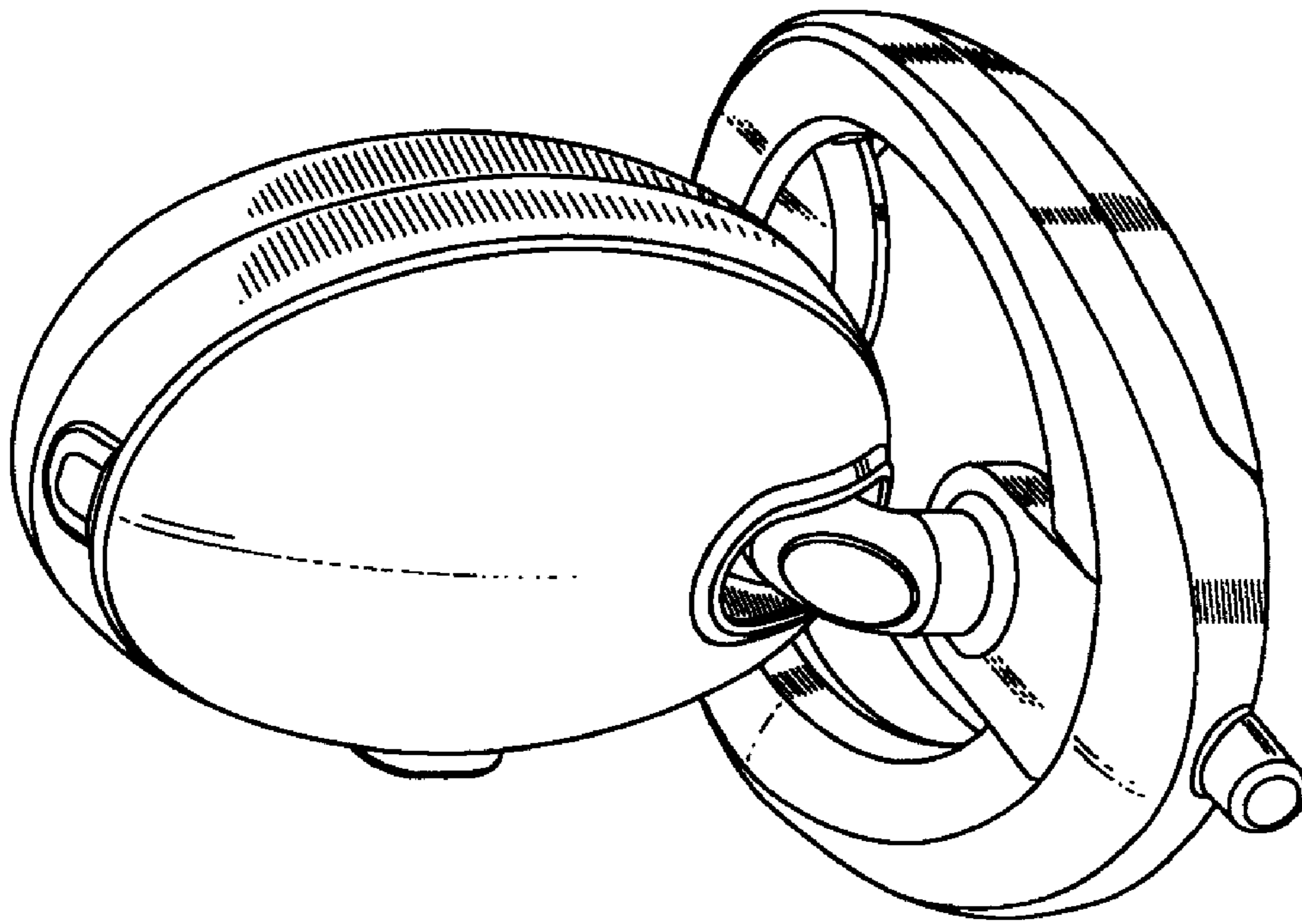


FIG. 2

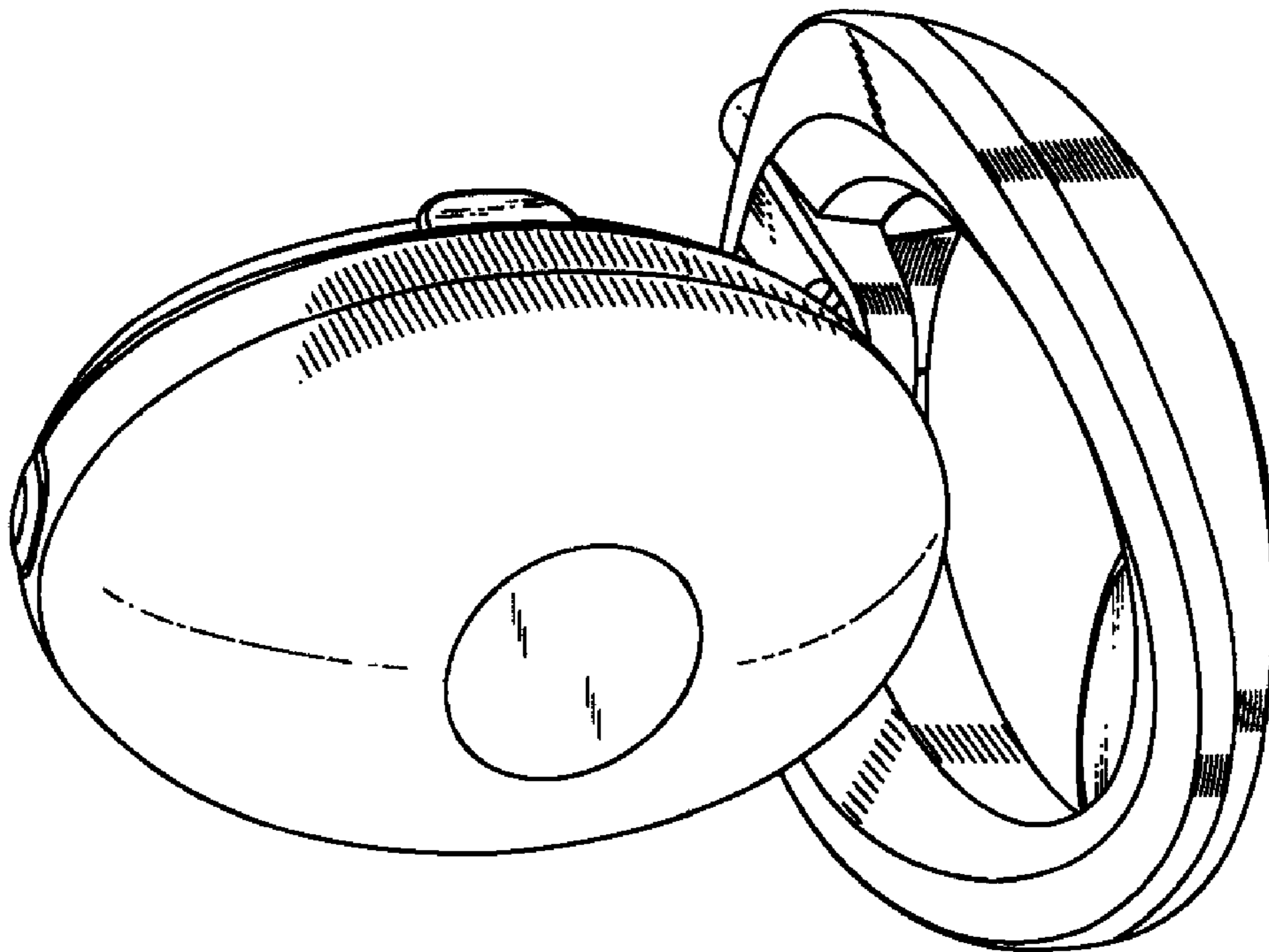


FIG. 1

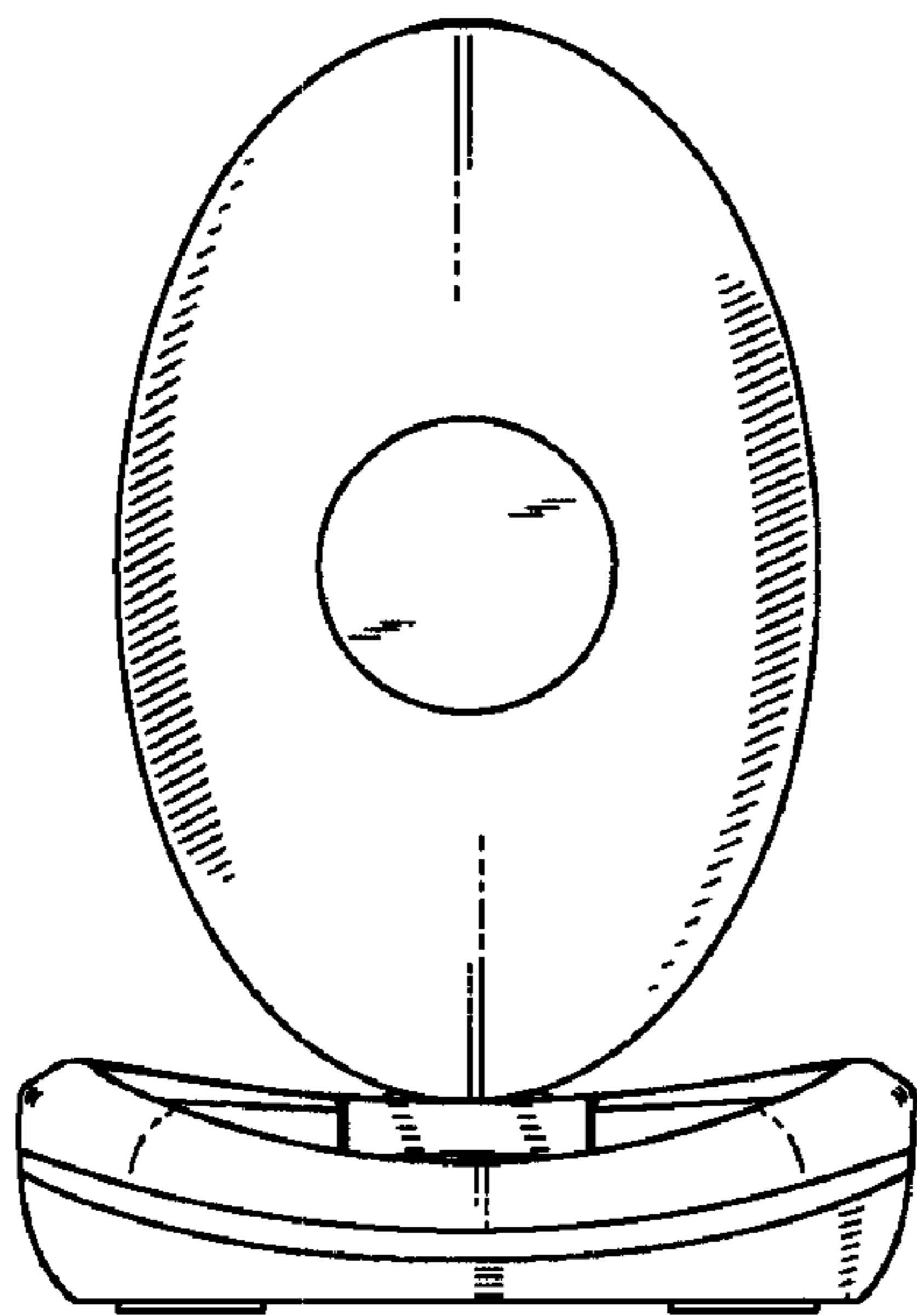


FIG. 3

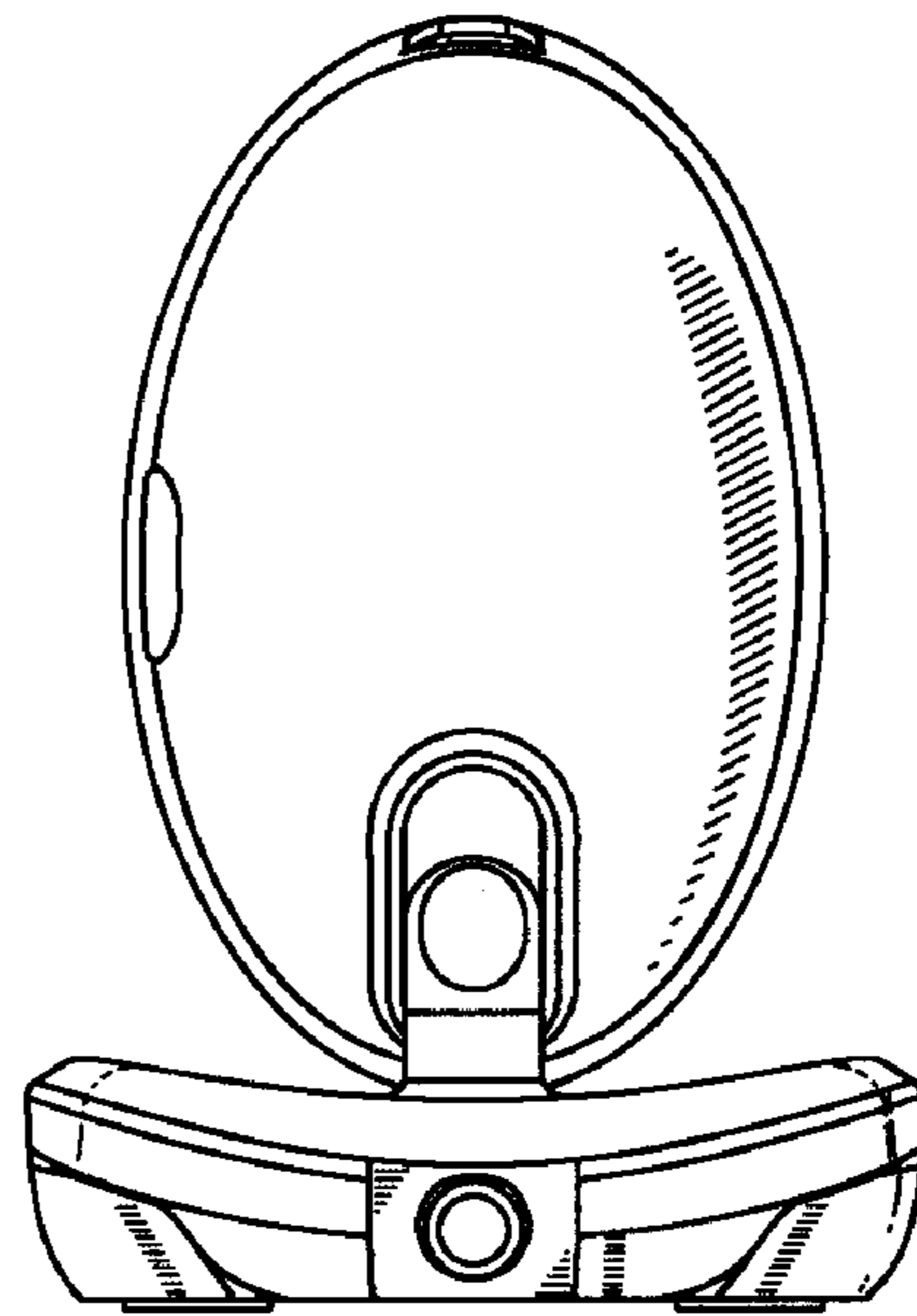


FIG. 4

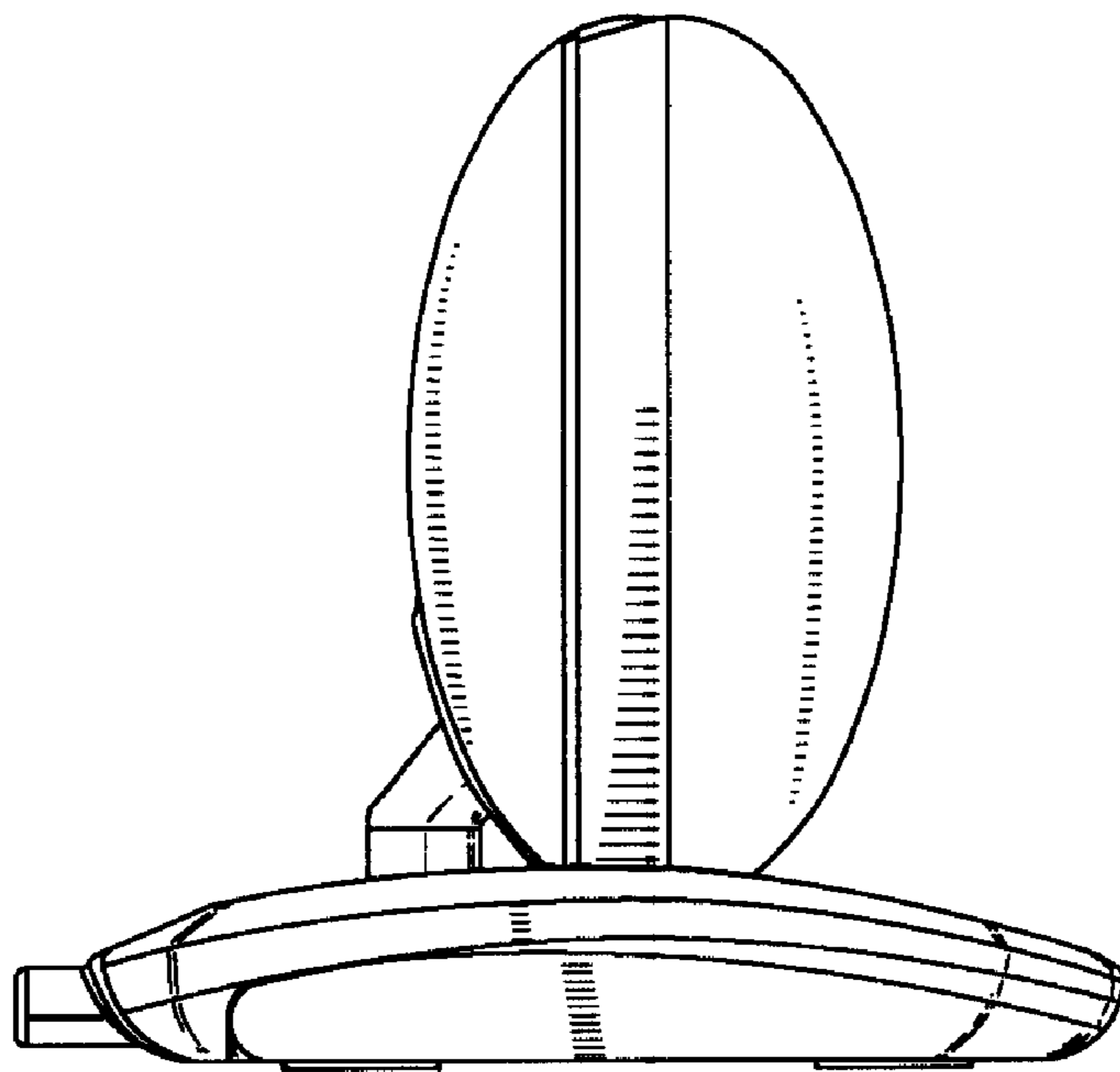


FIG. 5

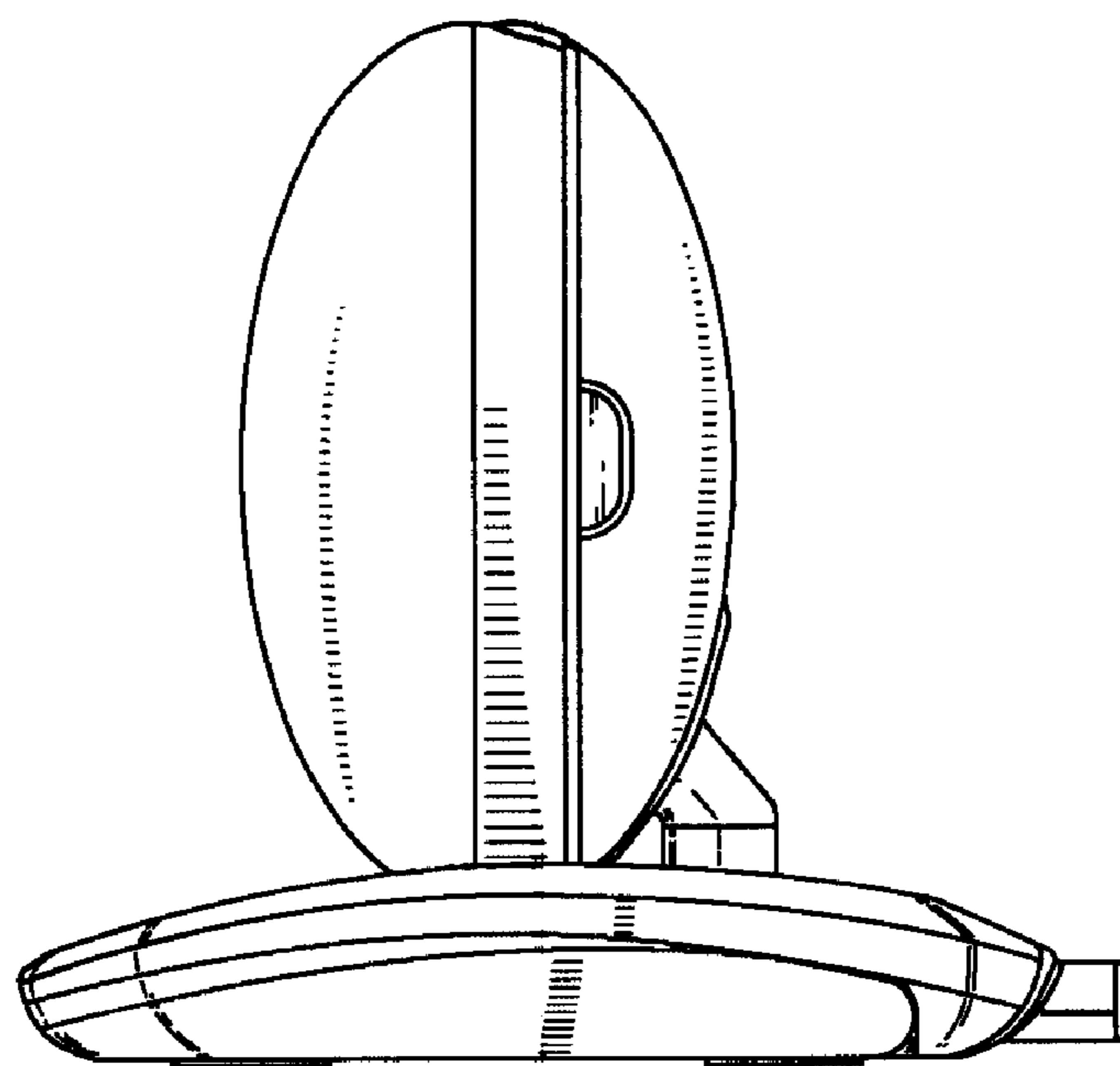


FIG. 6

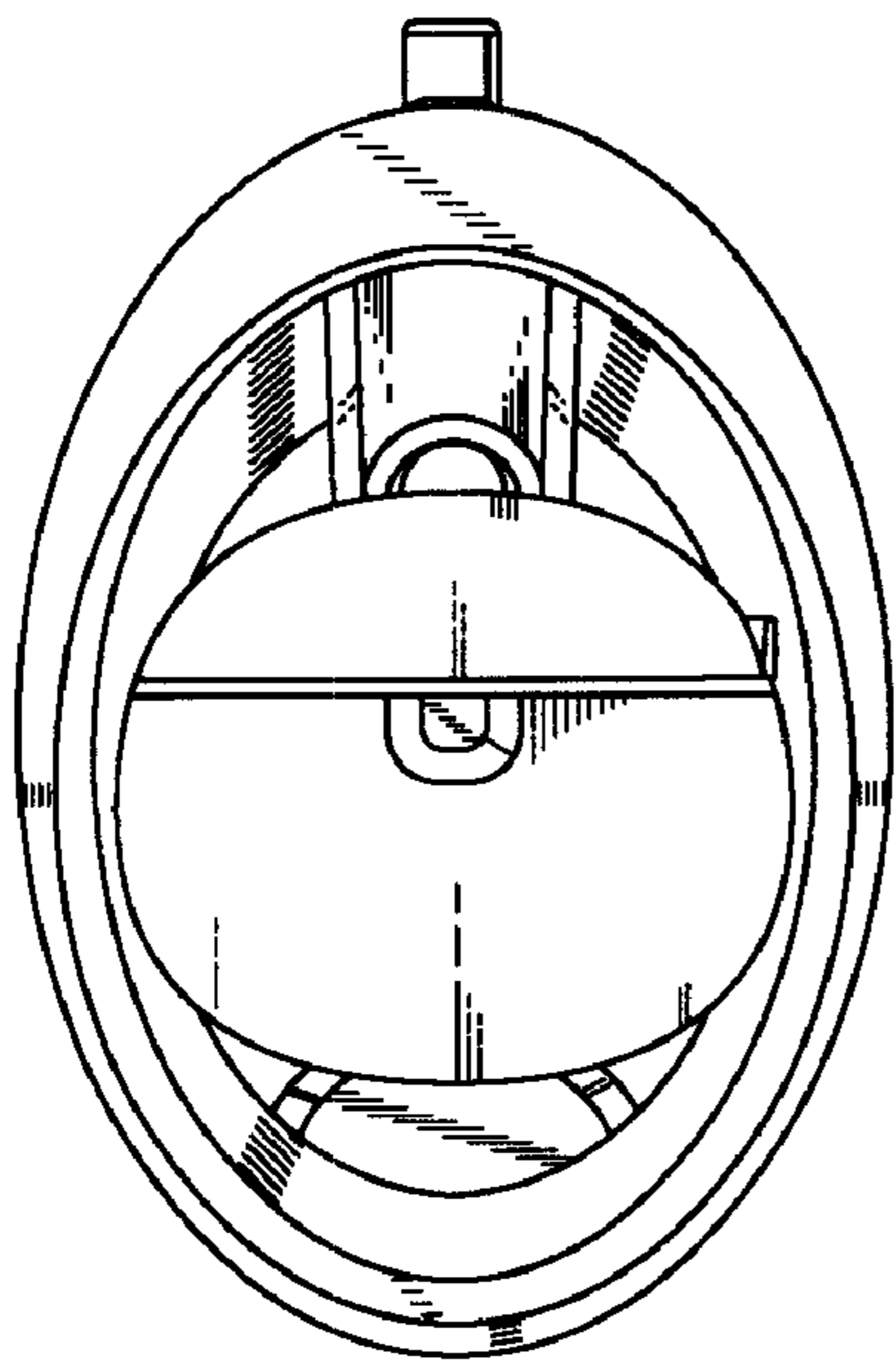


FIG. 7

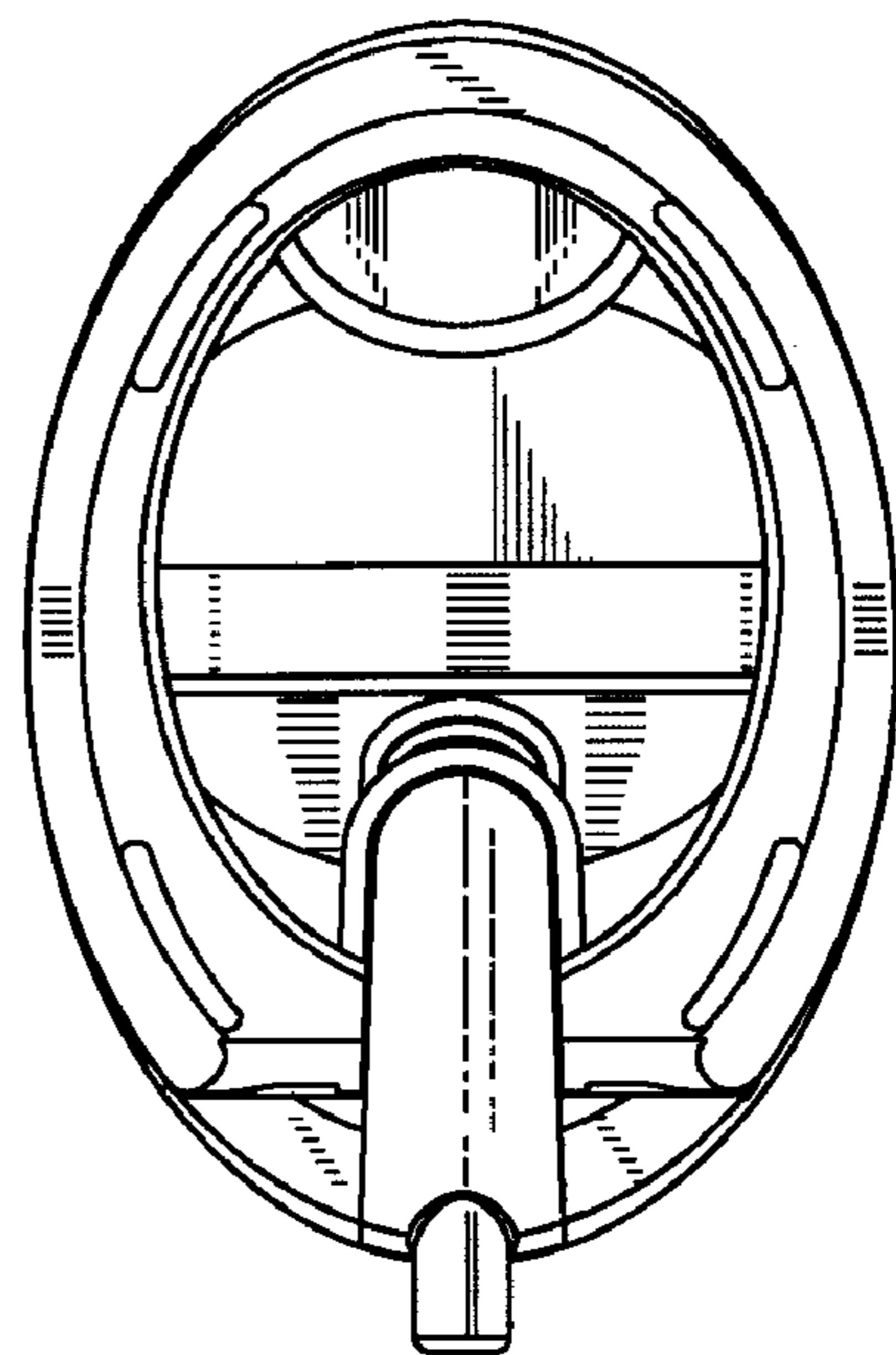


FIG. 8