



US00D533574S

(12) **United States Design Patent**
Hamamura

(10) **Patent No.:** **US D533,574 S**
(45) **Date of Patent:** **** Dec. 12, 2006**

(54) **DIGITAL CAMERA**

FOREIGN PATENT DOCUMENTS

(75) Inventor: **Toshihiro Hamamura**, Tokyo (JP)

JP 1244432 S 6/2005
JP 1244433 S 6/2005

(73) Assignee: **PENTAX Corporation**, Tokyo (JP)

* cited by examiner

(**) Term: **14 Years**

Primary Examiner—Adir Aronovich

(21) Appl. No.: **29/231,305**

(74) *Attorney, Agent, or Firm*—Sughrue Mion, PLLC

(22) Filed: **Jun. 3, 2005**

(57) **CLAIM**

(30) **Foreign Application Priority Data**

The ornamental design for a digital camera, as shown and described.

Dec. 15, 2004 (JP) 2004-038382

DESCRIPTION

(51) **LOC (8) Cl.** **16-01**

(52) **U.S. Cl.** **D16/202**

(58) **Field of Classification Search** D16/200–204,
D16/208, 209, 218; 348/373–376; 358/909.1;
396/535–541

FIG. 1 is a perspective view of the top, front and right side of a digital camera showing my new design;

FIG. 2 is a perspective view of the top, rear and left side thereof;

FIG. 3 is a top plan view thereof;

FIG. 4 is a front elevational view thereof;

FIG. 5 is a left side elevational view thereof;

FIG. 6 is a right side elevational view thereof;

FIG. 7 is a rear elevational view thereof;

FIG. 8 is a bottom plan view thereof;

FIG. 9 is a front elevational reference view thereof similar to FIG. 4 in a state of taking a picture; and,

FIG. 10 is a top plan reference view thereof showing a fully extended position of a lens.

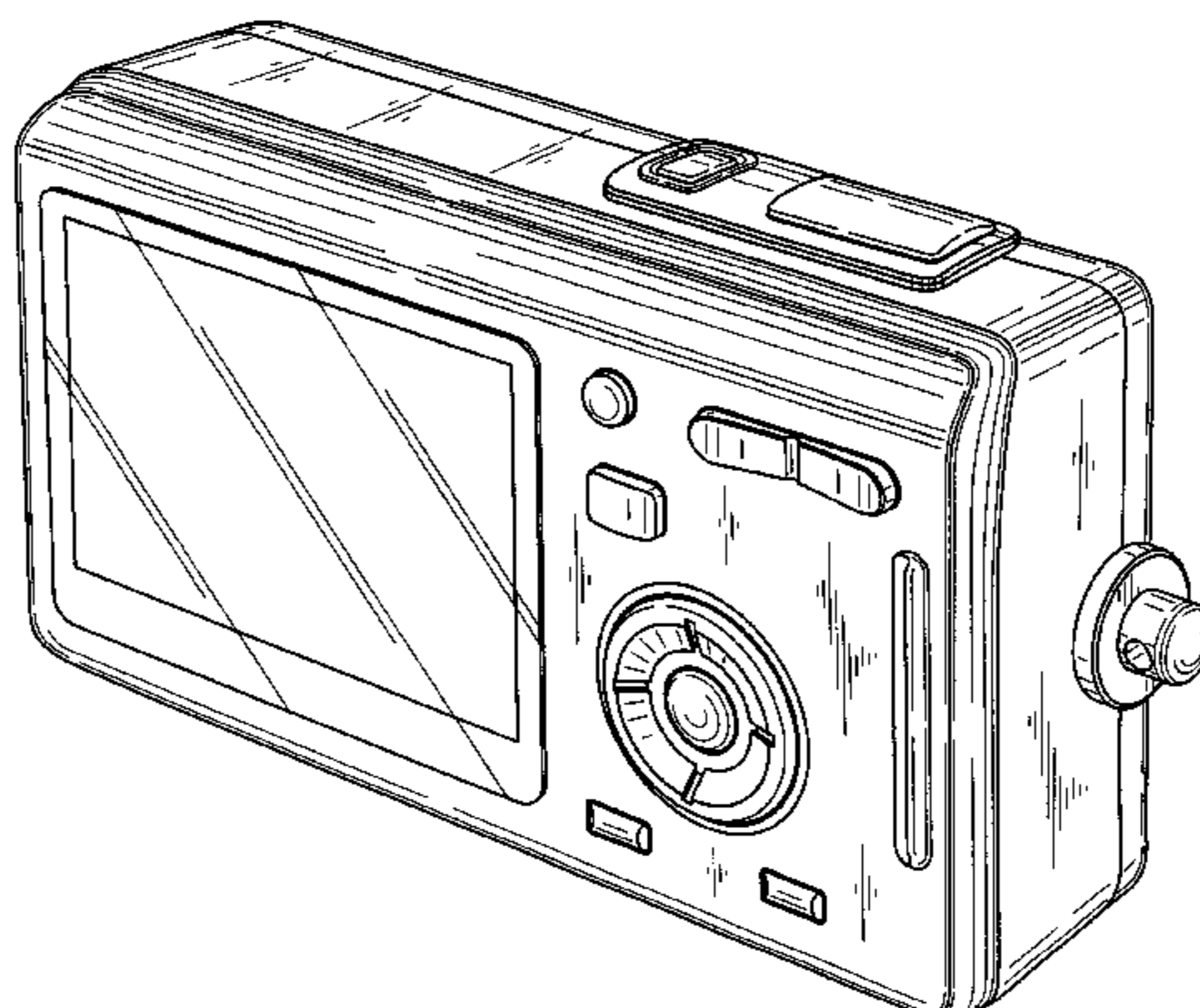
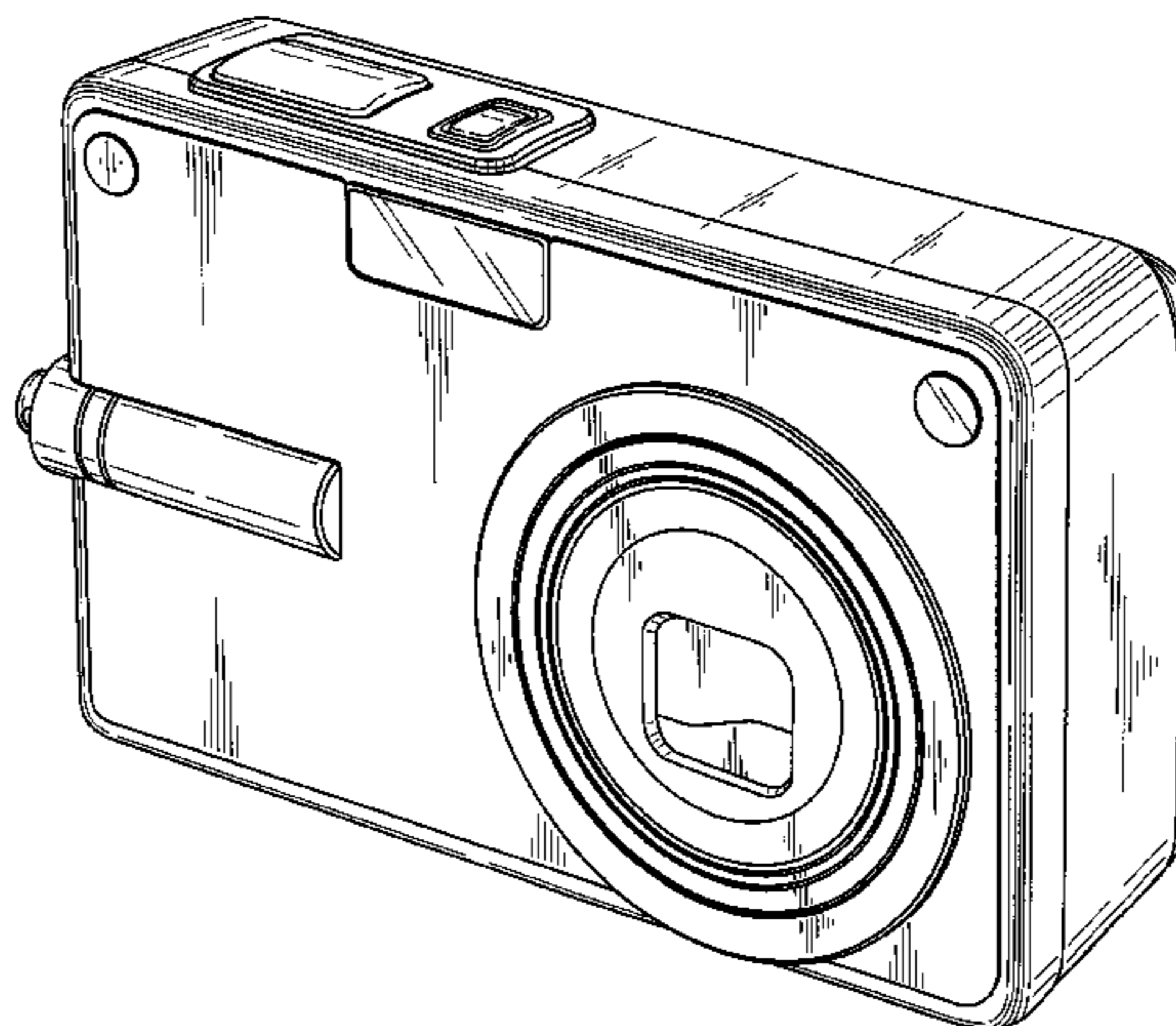
See application file for complete search history.

(56) **References Cited**

U.S. PATENT DOCUMENTS

D495,727 S * 9/2004 Dow et al. D16/202
D496,380 S * 9/2004 Isomoto D16/202
D497,926 S * 11/2004 Yanagisawa et al. D16/202
D502,479 S * 3/2005 Nishizawa et al. D16/202
D502,480 S * 3/2005 Nagayama D16/202
D516,107 S * 2/2006 Kim D16/202
D516,599 S * 3/2006 Nakamura D16/202

1 Claim, 7 Drawing Sheets



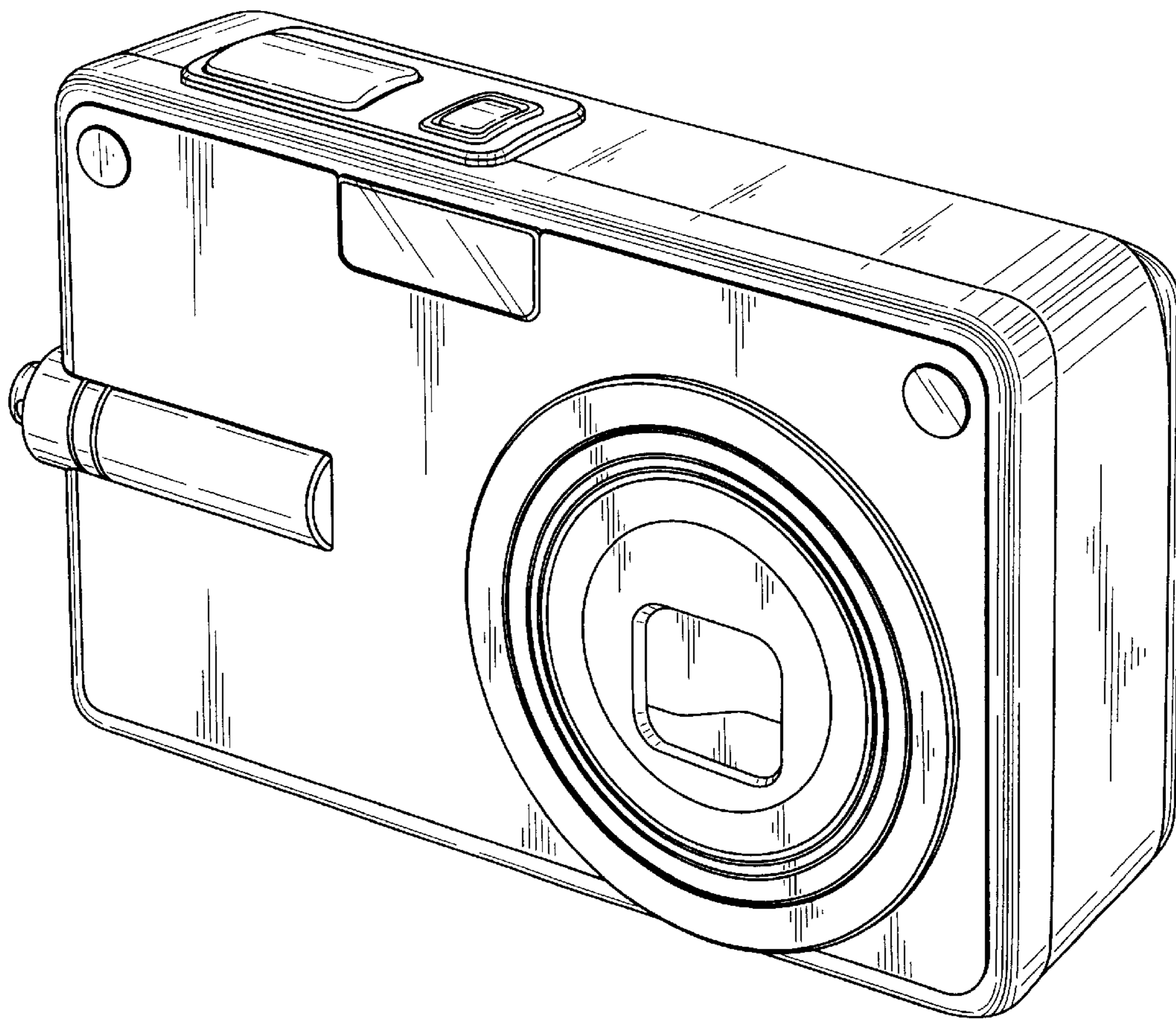


FIG. 1

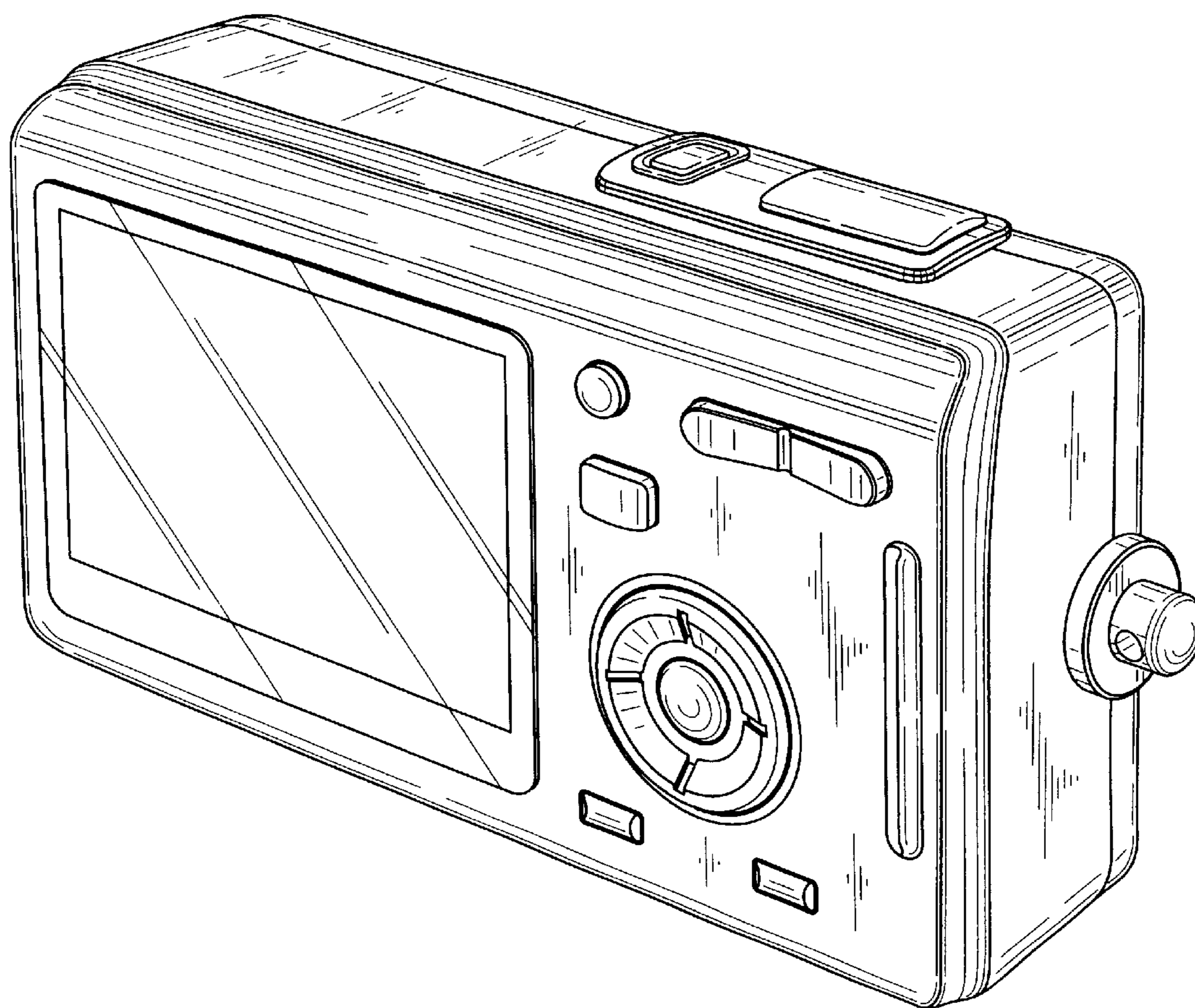


FIG. 2

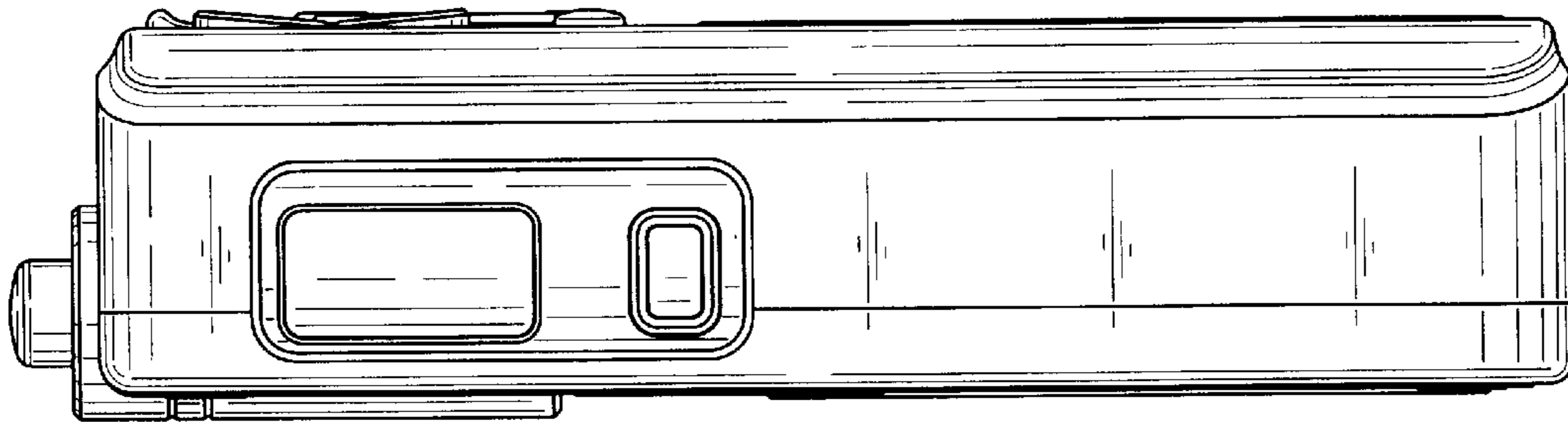


FIG. 3

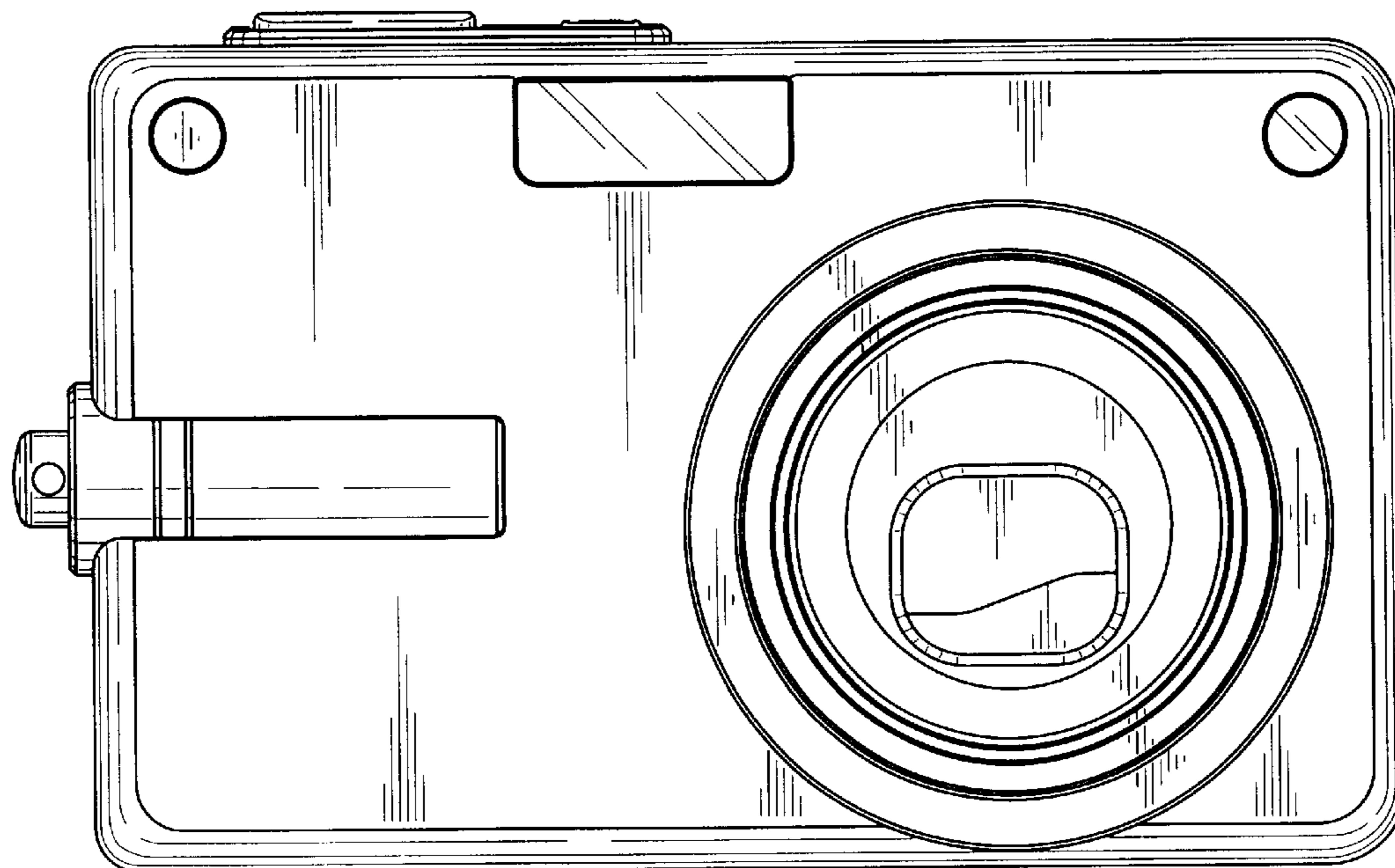


FIG. 4

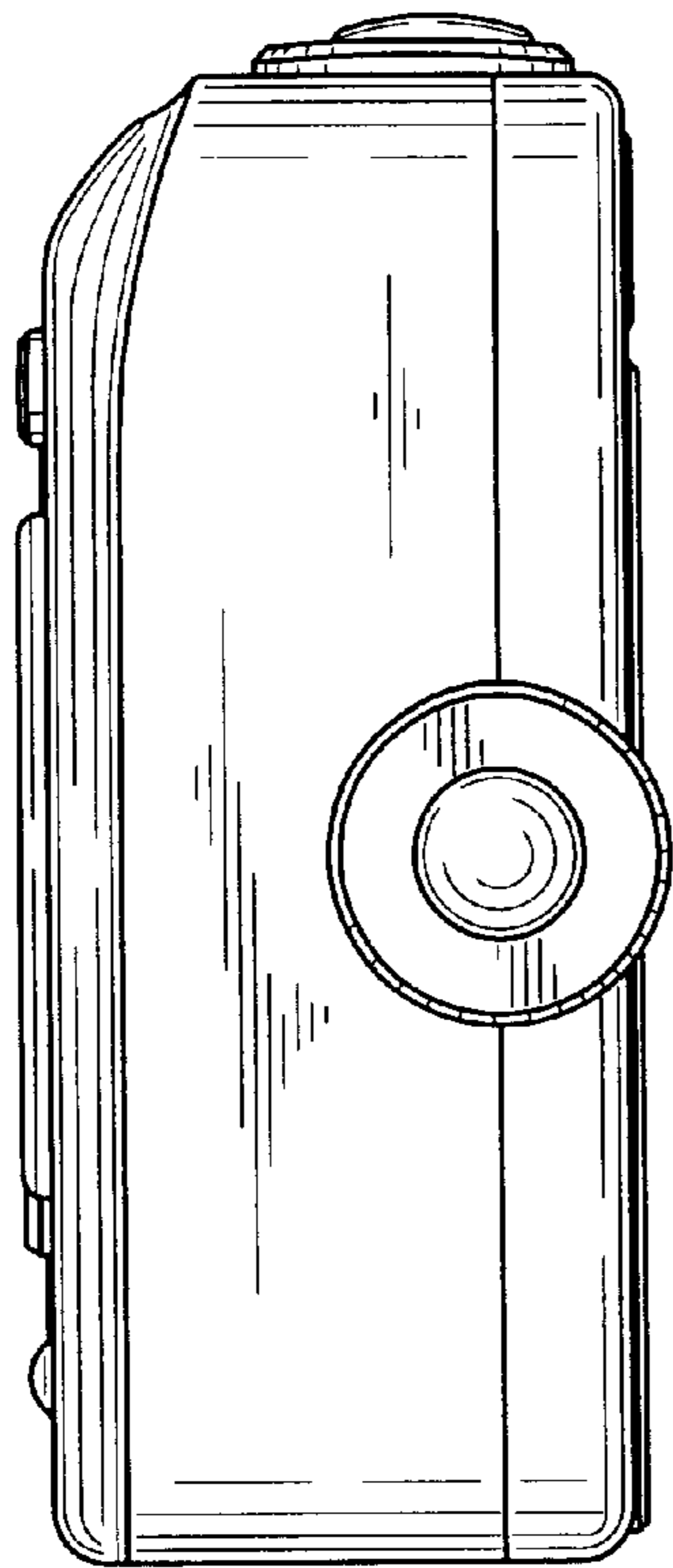


FIG. 5



FIG. 6

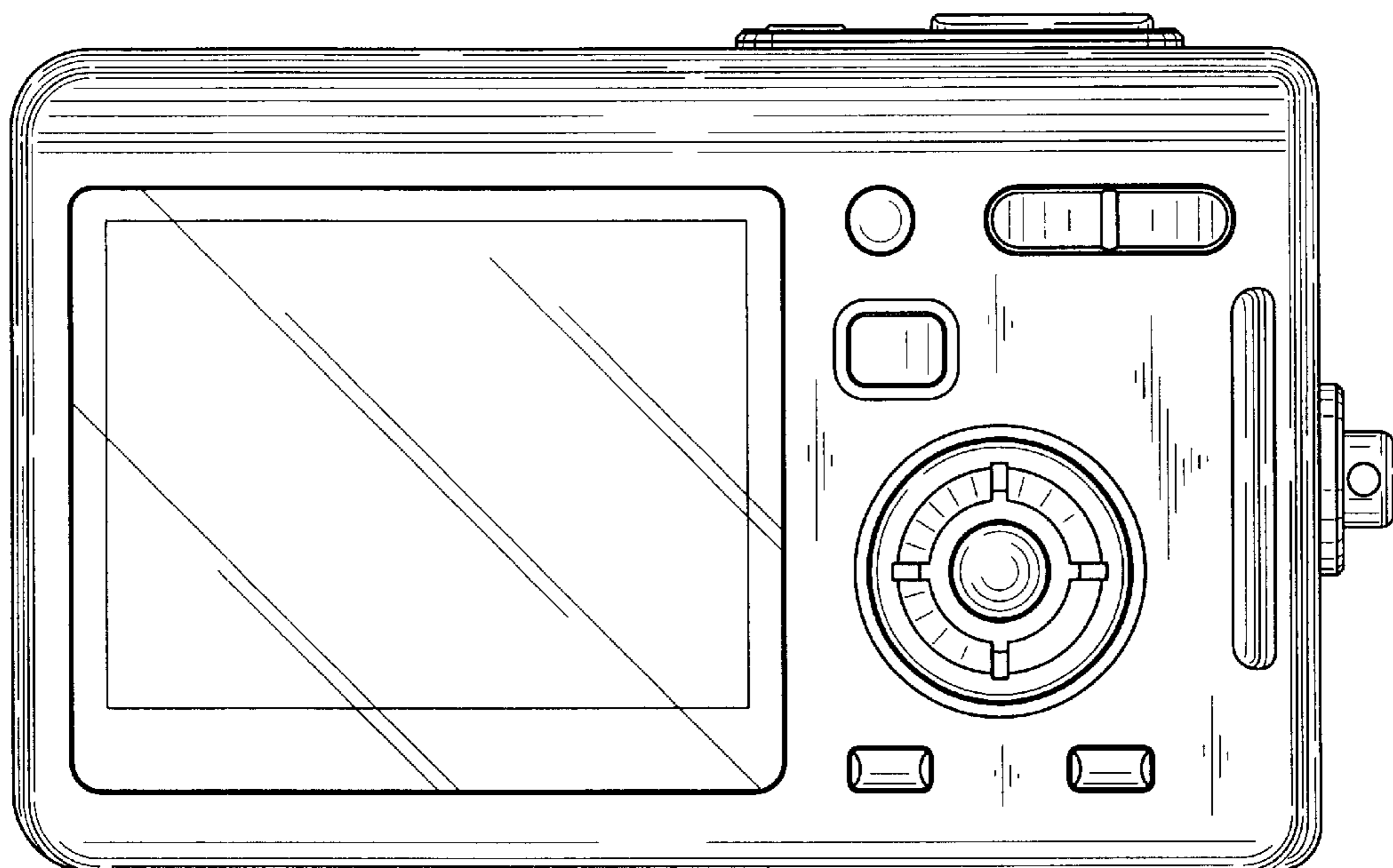


FIG. 7



FIG. 8

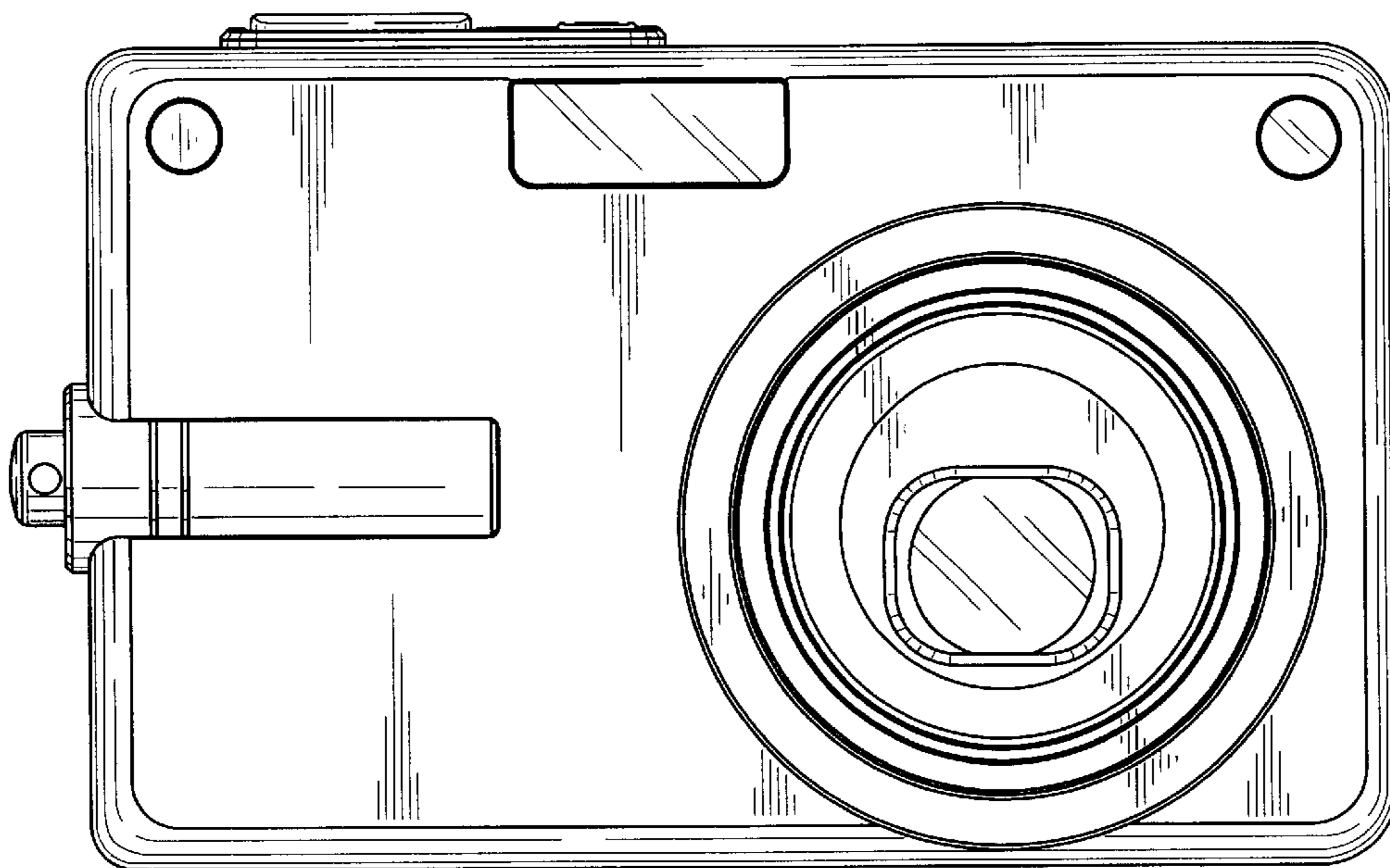


FIG. 9

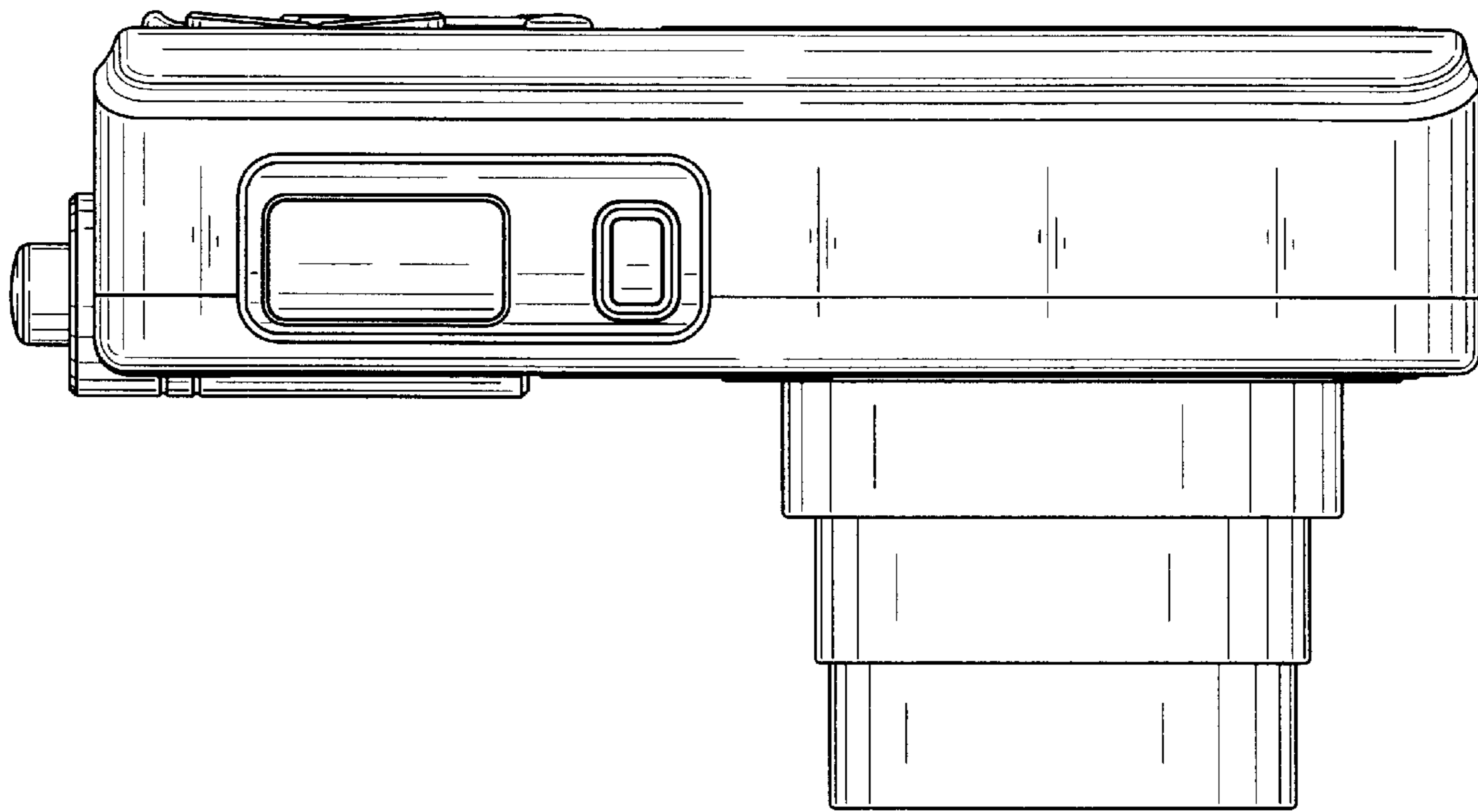


FIG. 10