



US00D533571S

(12) **United States Design Patent**  
**Degen**

(10) **Patent No.:** **US D533,571 S**

(45) **Date of Patent:** **\*\* Dec. 12, 2006**

(54) **DRILLING JIG**

(75) Inventor: **Klemens Degen**, Weibern (DE)

(73) Assignee: **wolcraft, GmbH**, Kempenich (DE)

(\*\*) Term: **14 Years**

(21) Appl. No.: **29/240,152**

(22) Filed: **Oct. 7, 2005**

(30) **Foreign Application Priority Data**

Apr. 21, 2005 (EM) ..... 000331897-0001

(51) **LOC (8) Cl.** ..... **15-09**

(52) **U.S. Cl.** ..... **D15/140**

(58) **Field of Classification Search** ..... D8/70,  
D8/71-74; D15/140; 408/1 R, 72 B, 97,  
408/103, 104, 108, 109, 115 B, 115 R, 124,  
408/241 G; 144/83, 103, 144.1, 344-346,  
144/353, 372; 269/79, 251

See application file for complete search history.

(56) **References Cited**

**U.S. PATENT DOCUMENTS**

D160,734 S \* 10/1950 Polkosnik ..... D15/140

D286,609 S \* 11/1986 Hickman et al. .... D8/74  
D291,529 S \* 8/1987 Degen ..... D8/72  
6,220,796 B1 \* 4/2001 Chiang ..... 408/115 R  
2006/0039764 A1 \* 2/2006 Moore ..... 408/1 R

\* cited by examiner

*Primary Examiner*—Antoine D. Davis

*Assistant Examiner*—Patricia Palasik

(74) *Attorney, Agent, or Firm*—Everest Intellectual  
Property Law Group; Michael S. Leonard

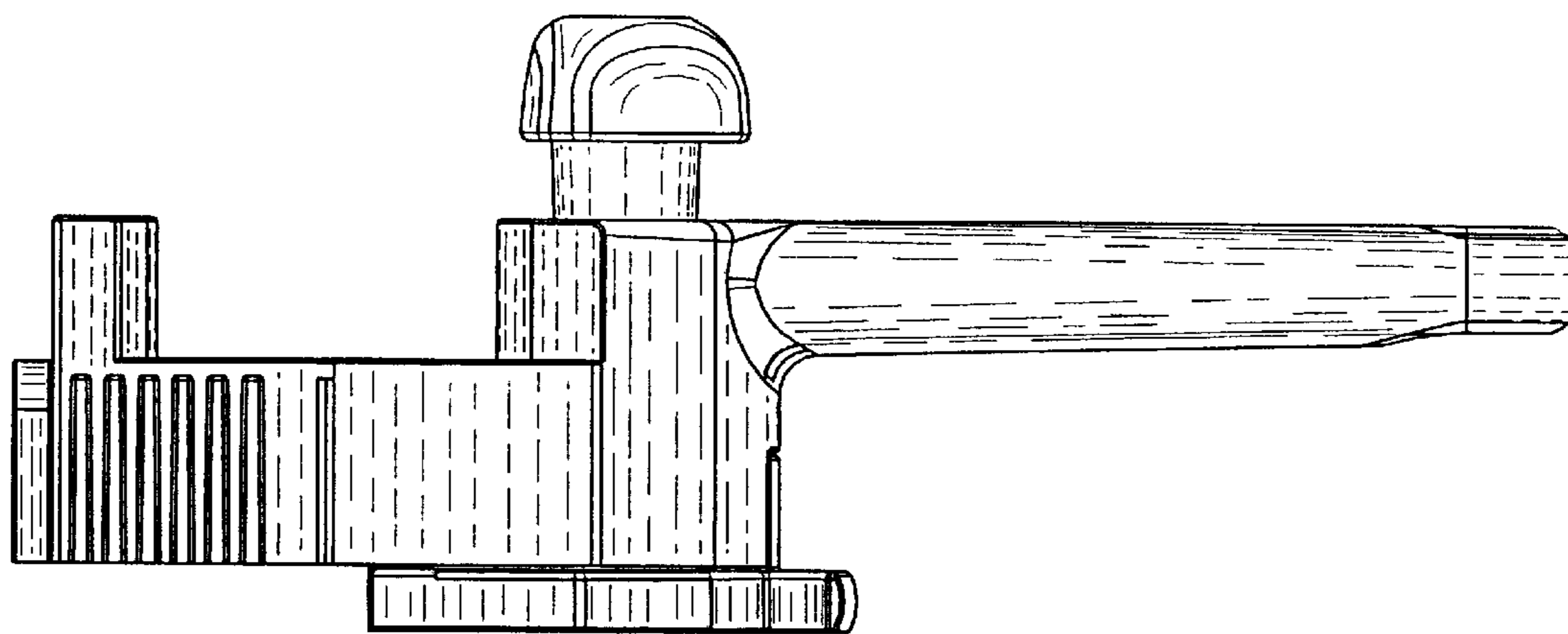
(57) **CLAIM**

The ornamental design for a drilling jig, as shown and  
described.

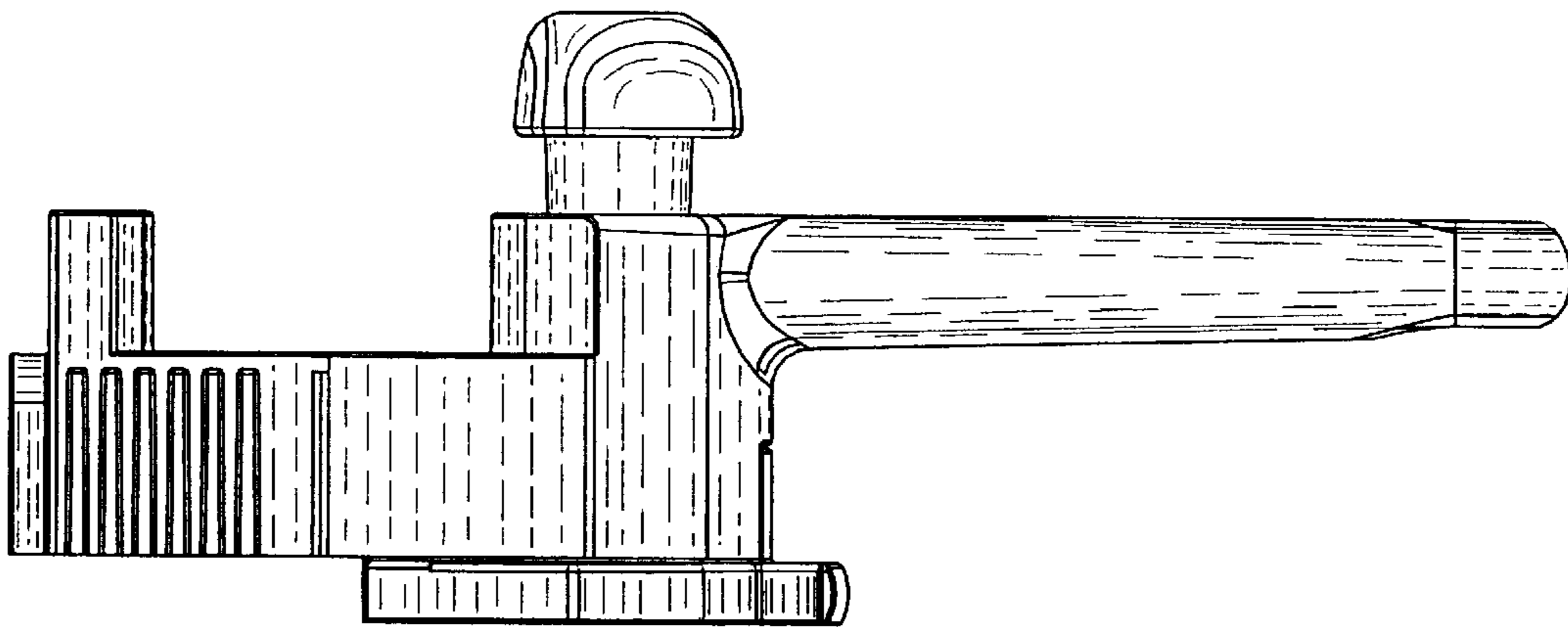
**DESCRIPTION**

FIG. 1 is a front view of a drilling jig of the claimed design.  
FIG. 2 is a top view of the drilling jig of FIG. 1.  
FIG. 3 is a left side view of the drilling jig of FIG. 1.  
FIG. 4 is a right side view of the drilling jig of FIG. 1.  
FIG. 5 is a bottom view of the drilling jig of FIG. 1.  
FIG. 6 is a perspective view of the drilling jig of FIG. 1; and,  
FIG. 7 is another perspective view of the drilling jig of FIG.  
1.

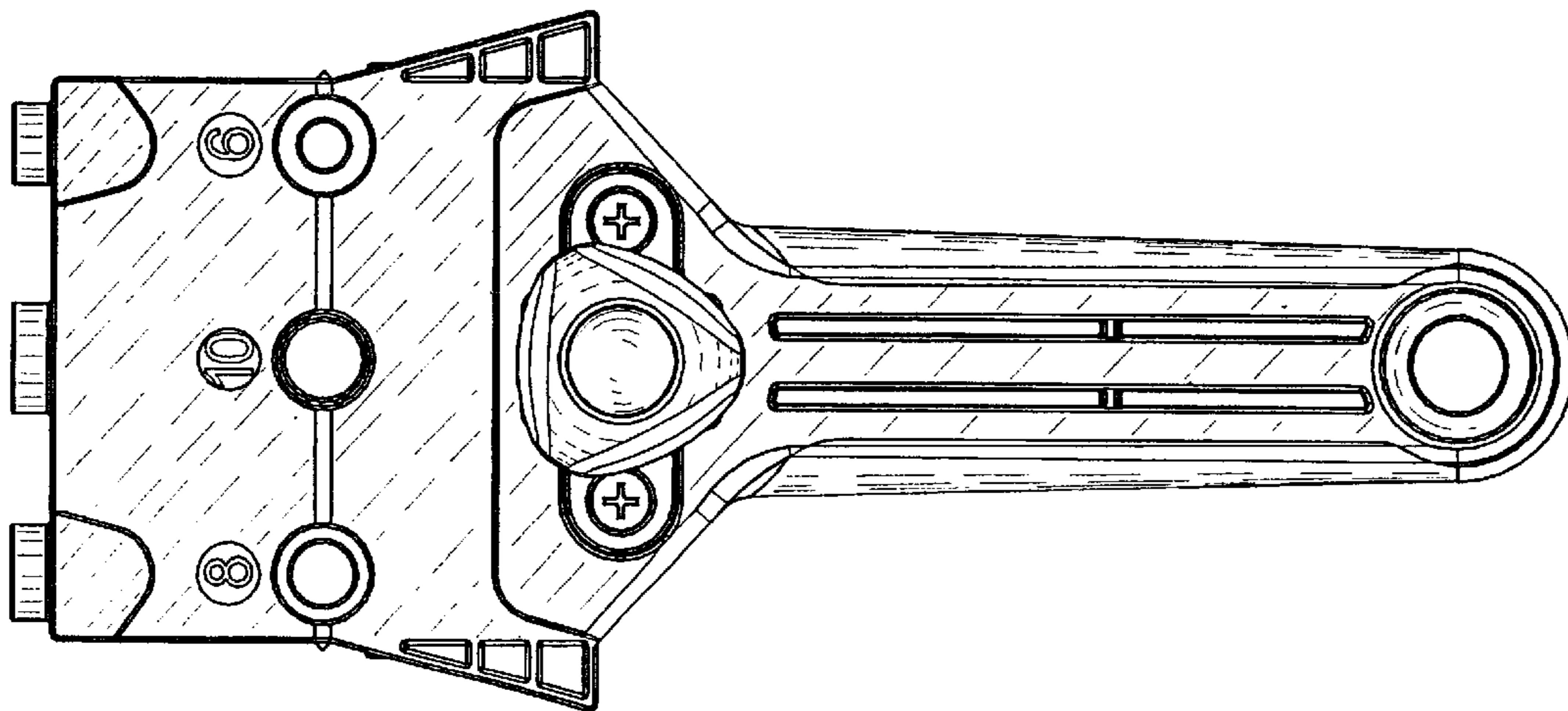
**1 Claim, 4 Drawing Sheets**



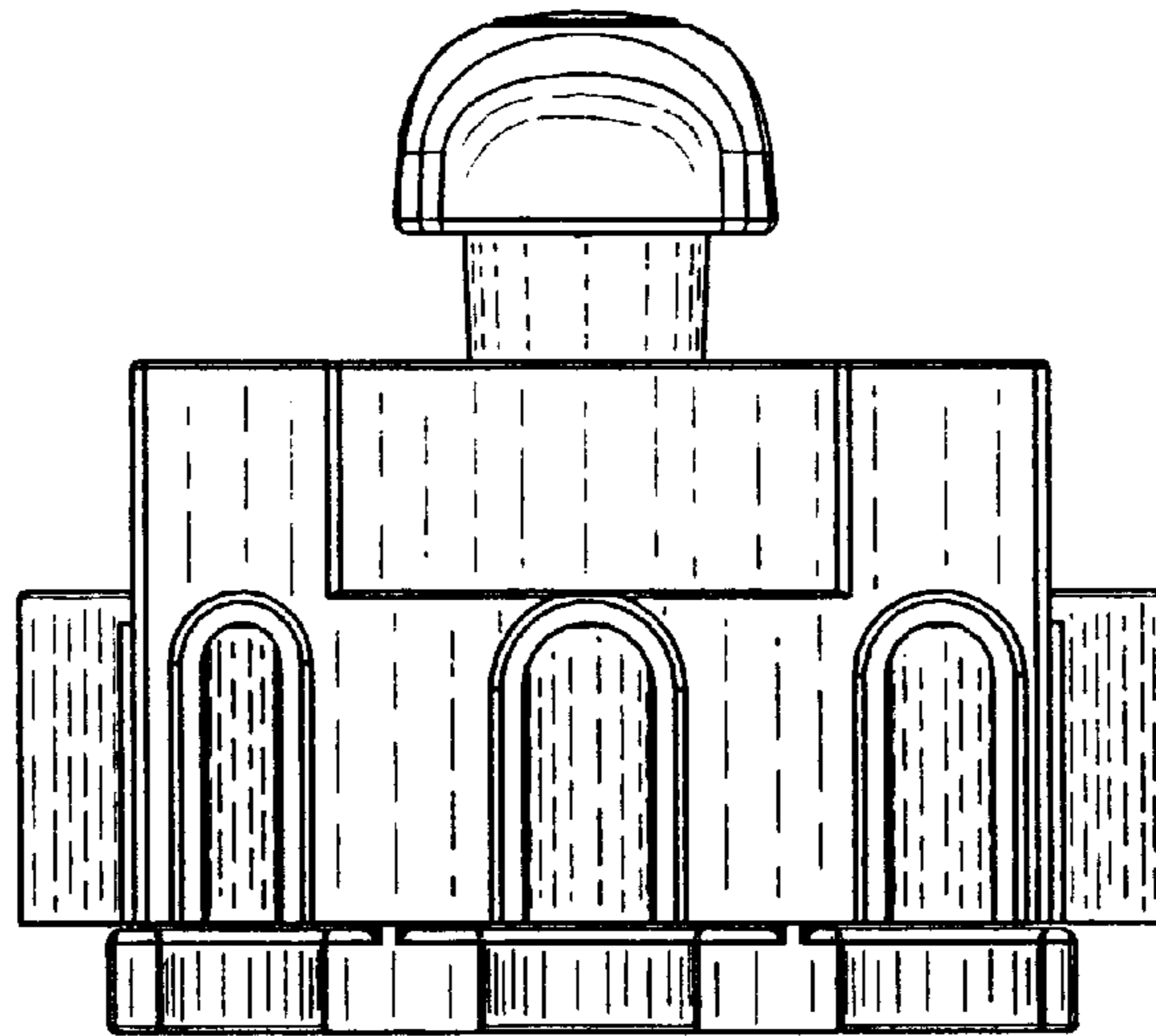
***Fig. 1***



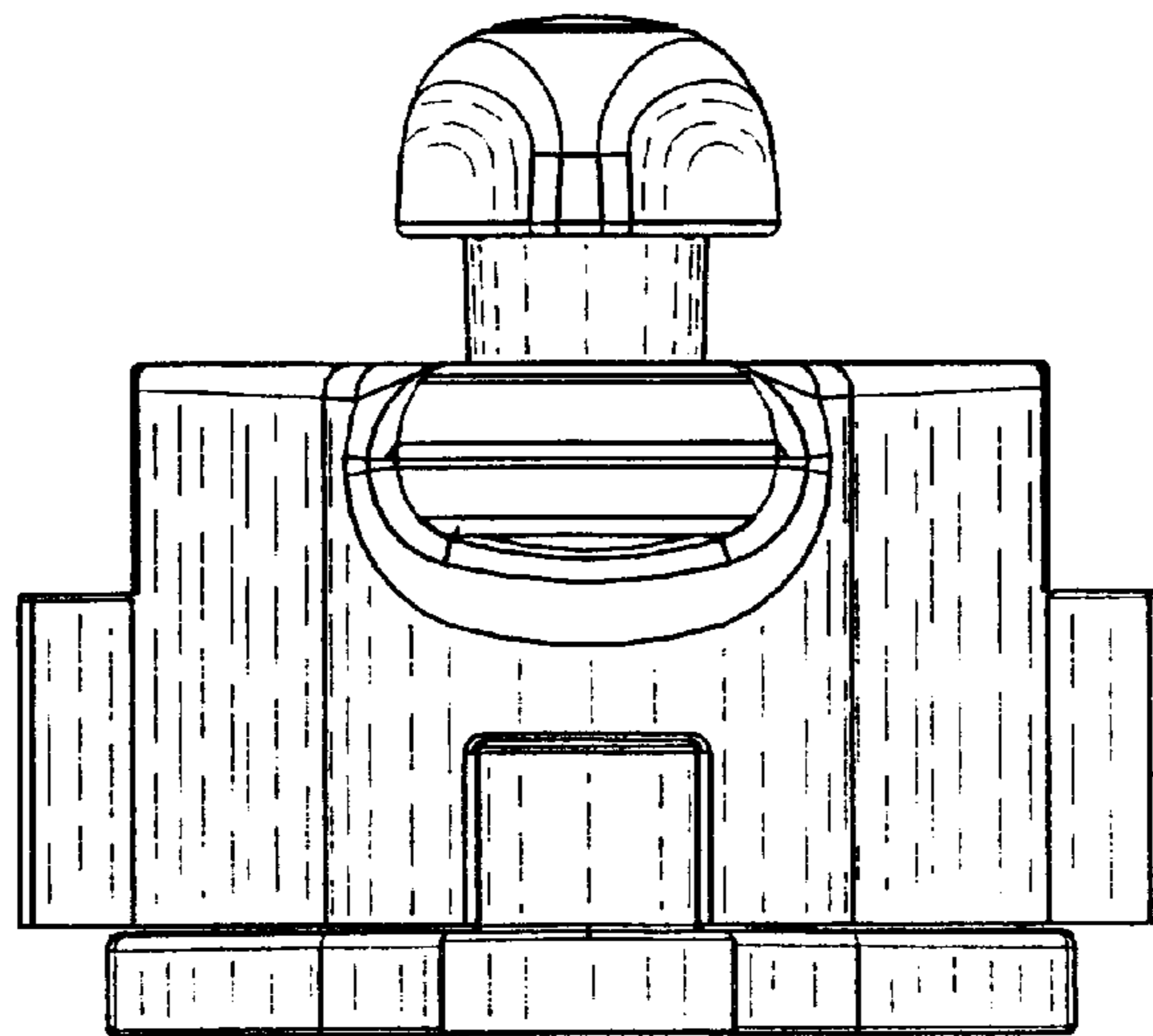
***Fig. 2***



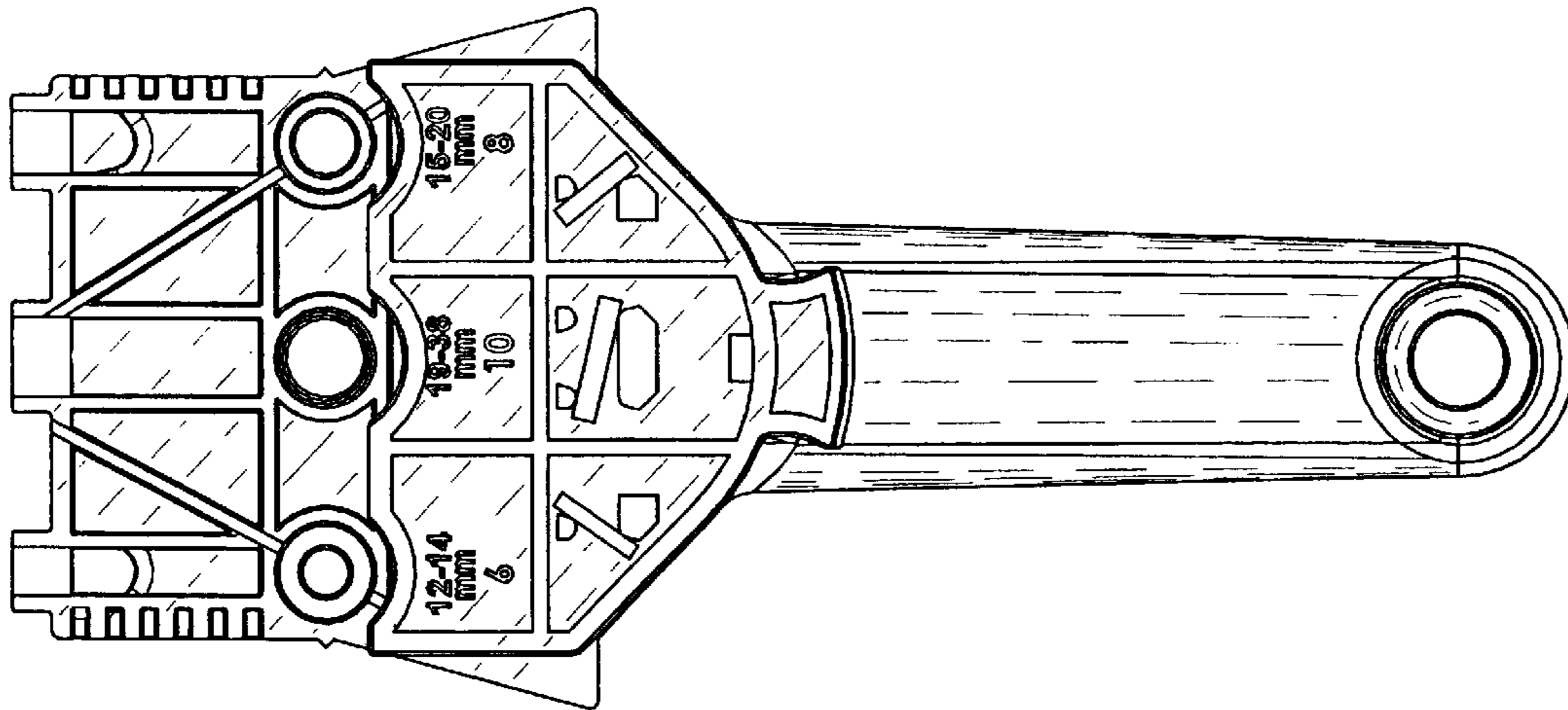
***Fig. 3***



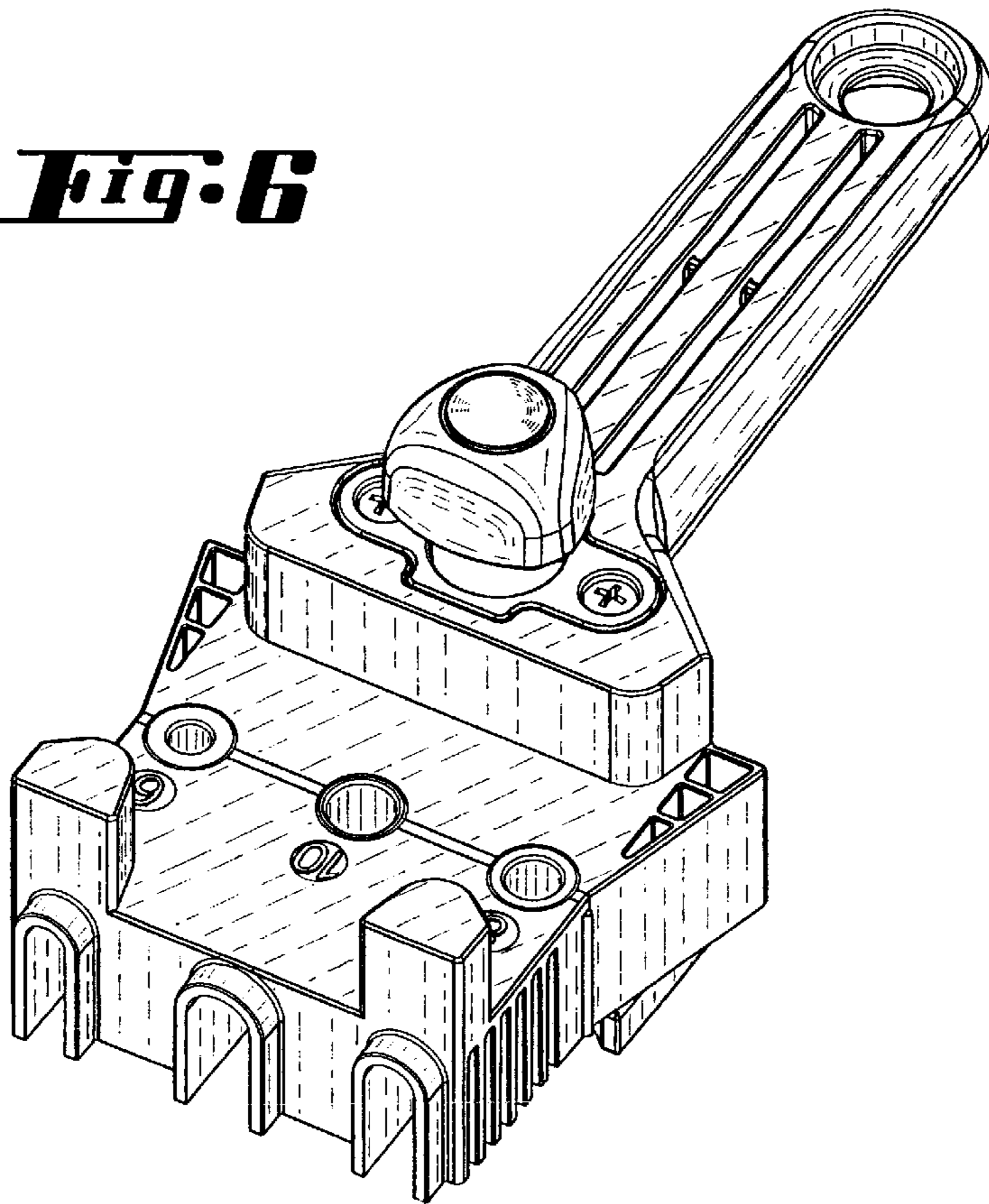
***Fig. 4***



***Fig. 5***



***Fig. 6***



***Fig. 7***

