



US00D533567S

(12) **United States Design Patent**
D'Amico

(10) **Patent No.:** **US D533,567 S**

(45) **Date of Patent:** **** Dec. 12, 2006**

(54) **VALVE COVER**

(75) **Inventor:** **Luis Gustavo D'Amico**, São Paulo
(BR)

(73) **Assignee:** **International Engines South America, Ltda.**, Warrenville, IL (US)

(**) **Term:** **14 Years**

(21) **Appl. No.:** **29/227,732**

(22) **Filed:** **Apr. 13, 2005**

(30) **Foreign Application Priority Data**

Oct. 29, 2004 (BR) DI6403929-3

(51) **LOC (8) Cl.** **15-01**

(52) **U.S. Cl.** **D15/5**

(58) **Field of Classification Search** D15/1-5;
123/195 C, 198 E, 90.37, 90.38, 572, 573,
123/90.27; D12/400

See application file for complete search history.

(56) **References Cited**

U.S. PATENT DOCUMENTS

D252,878 S * 9/1979 Bellino et al. D15/5

D306,735 S * 3/1990 Finley D15/5
D324,867 S * 3/1992 Lyndhurst et al. D15/5
D418,844 S * 1/2000 Occhiuto D15/5
D422,551 S * 4/2000 Haines D12/400
D503,724 S * 4/2005 Grant D15/5

* cited by examiner

Primary Examiner—Ian Simmons

Assistant Examiner—Maurice Stevens

(74) *Attorney, Agent, or Firm*—Dennis K. Sullivan; Susan L. Lukasik; Jeffrey P. Calfa

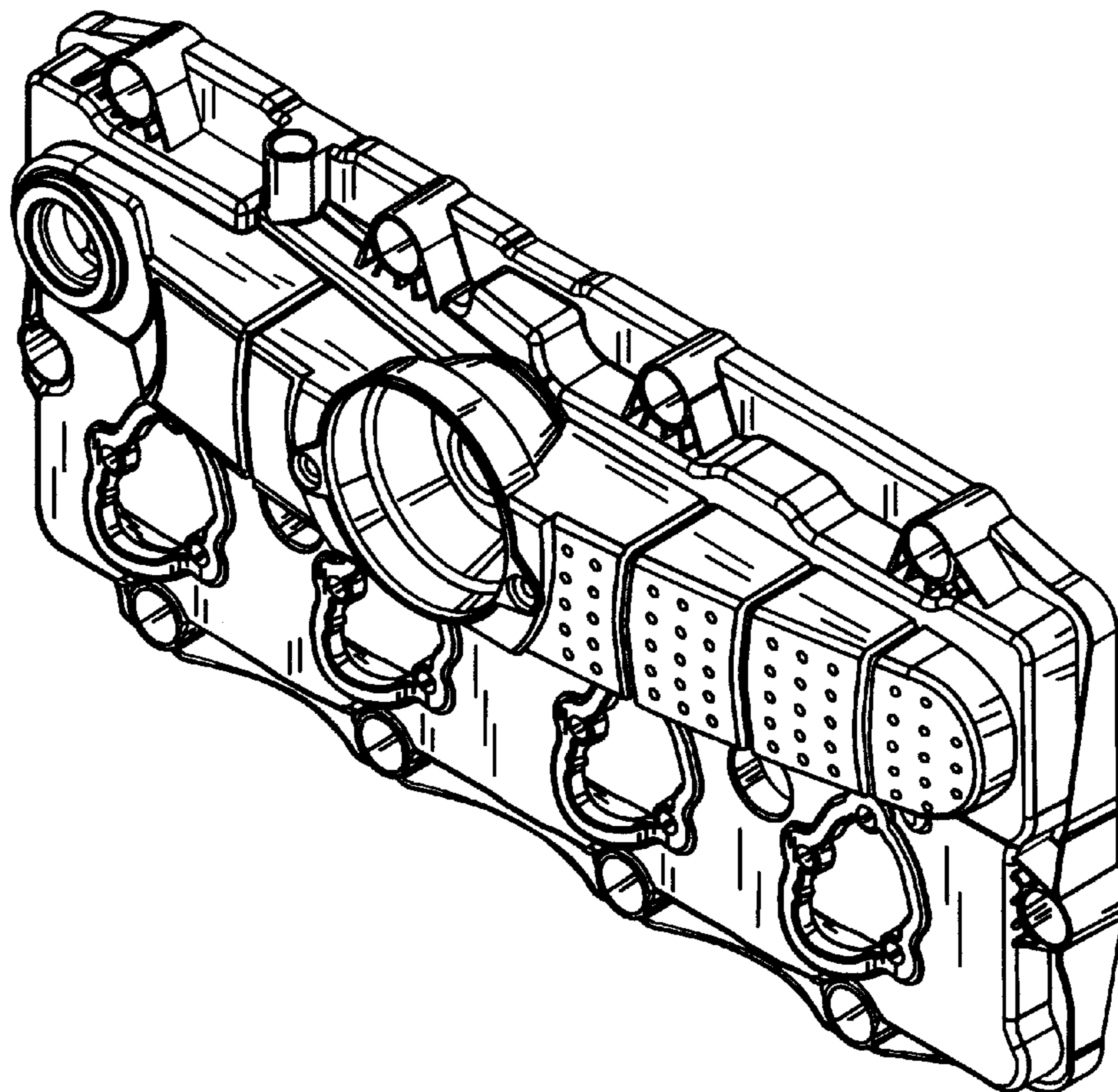
(57) **CLAIM**

The ornamental design for a valve cover, as shown and described.

DESCRIPTION

FIG. 1 is a perspective view of the configuration applied to a valve cover, showing my new design;
FIG. 2 is a top view thereof;
FIG. 3 is a front view thereof;
FIG. 4 is a bottom view thereof;
FIG. 5 is a rear view thereof;
FIG. 6 is a right side view thereof; and,
FIG. 7 is a left side view thereof.

1 Claim, 4 Drawing Sheets



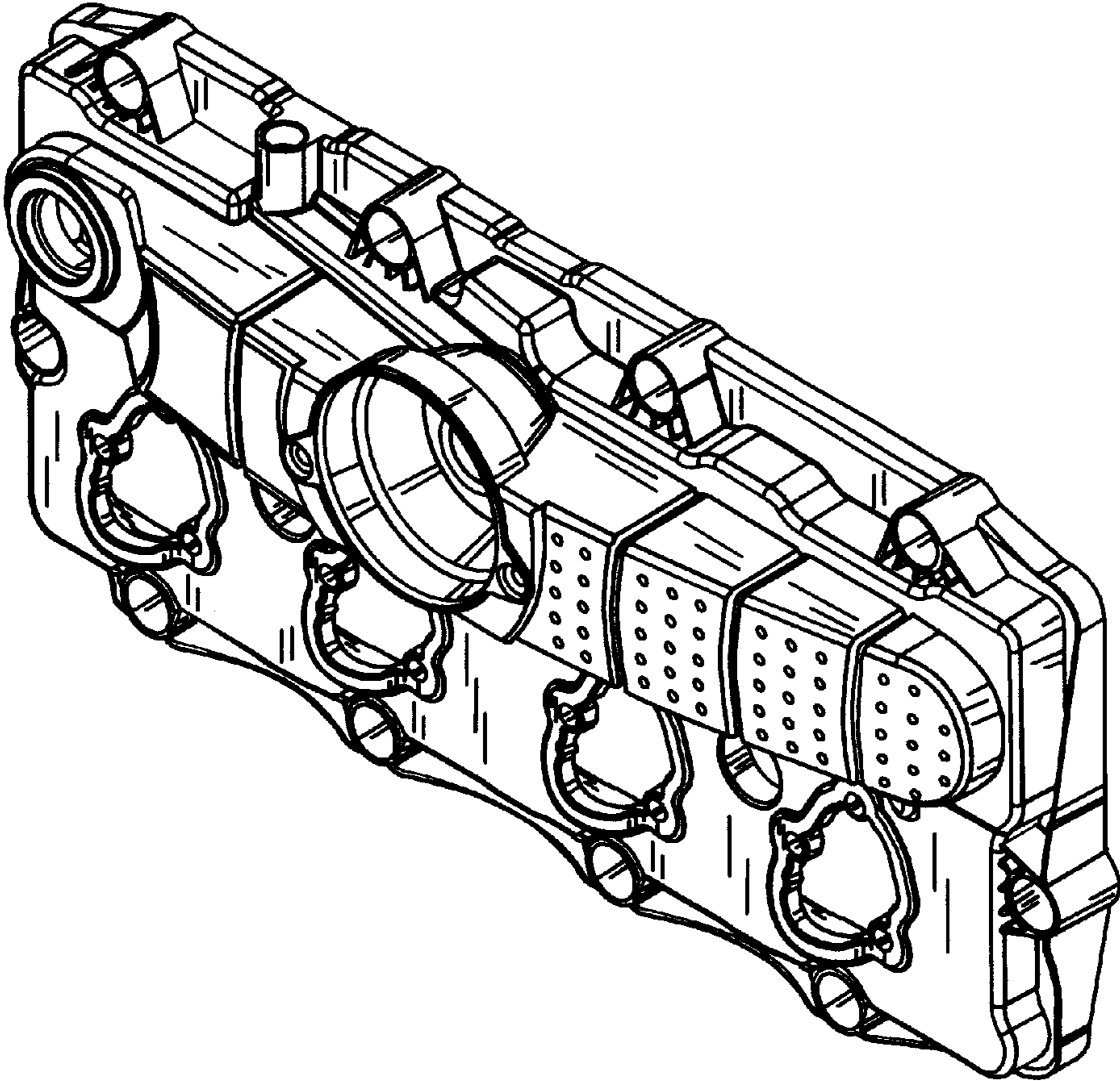


Fig. 1

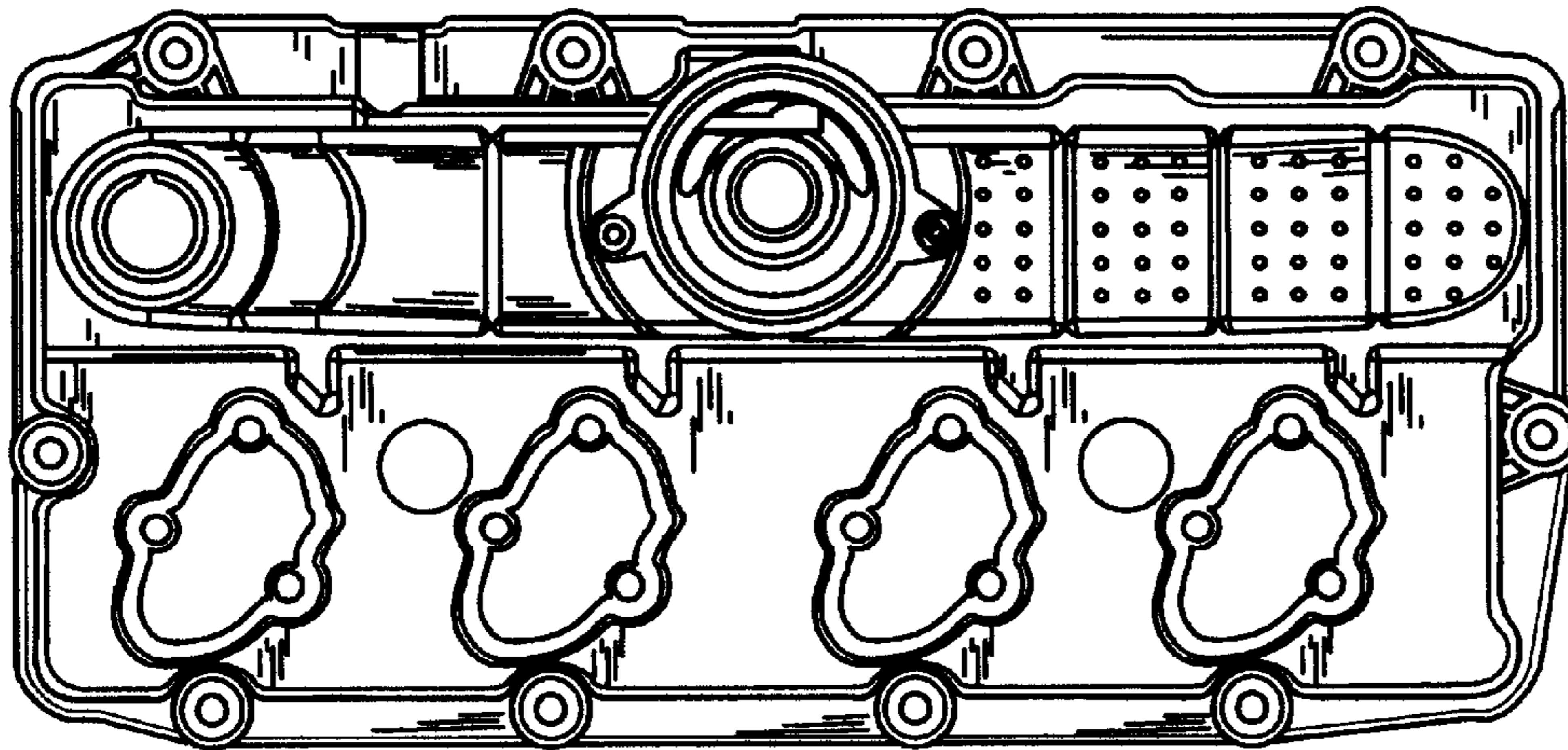


Fig. 2

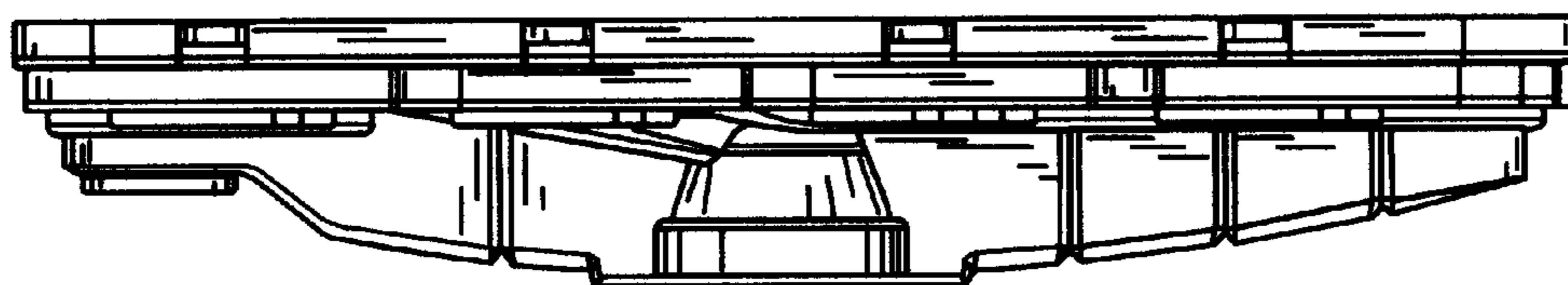


Fig. 3

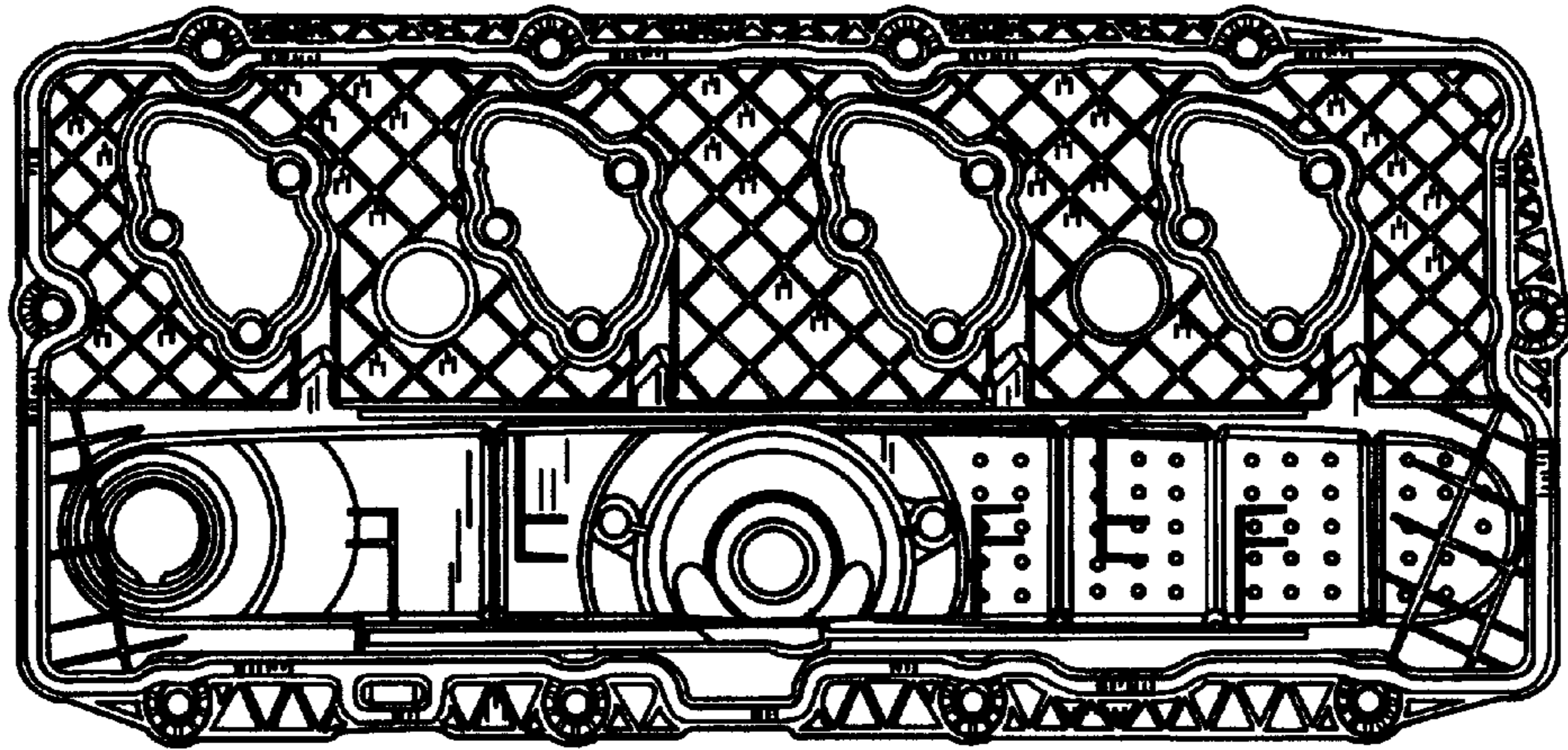


Fig. 4

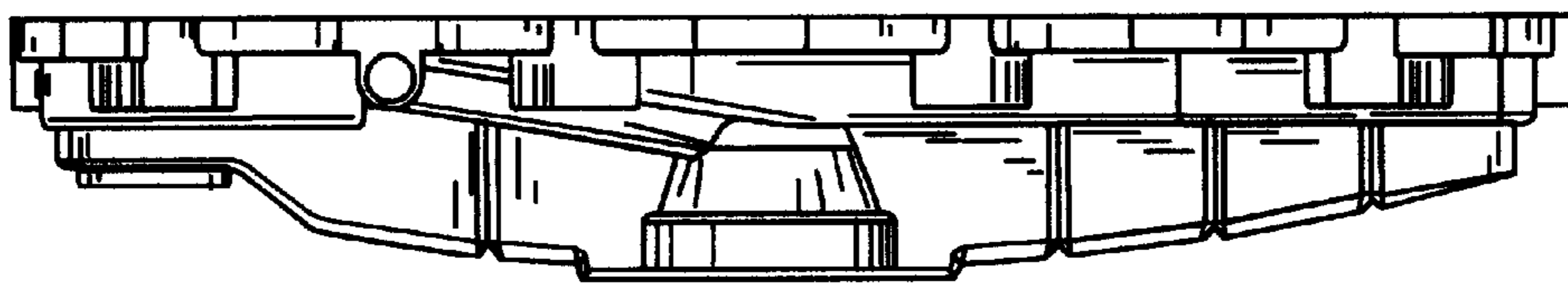


Fig. 5

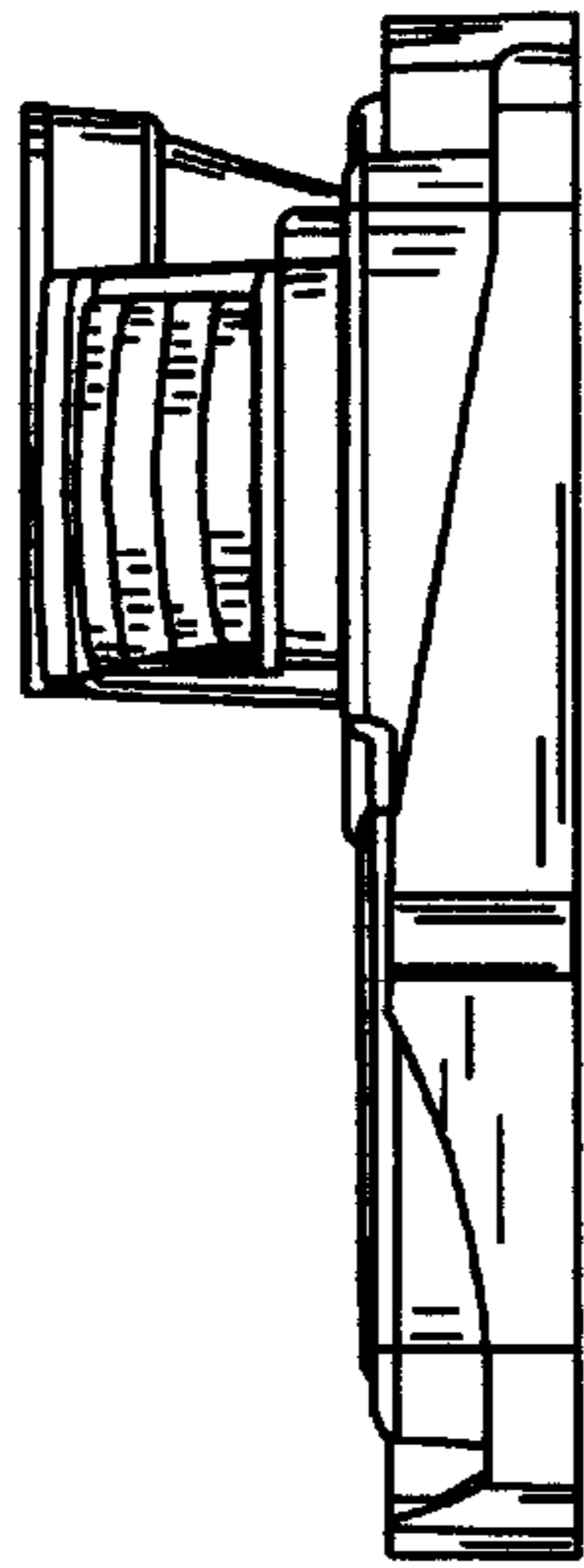


Fig. 6

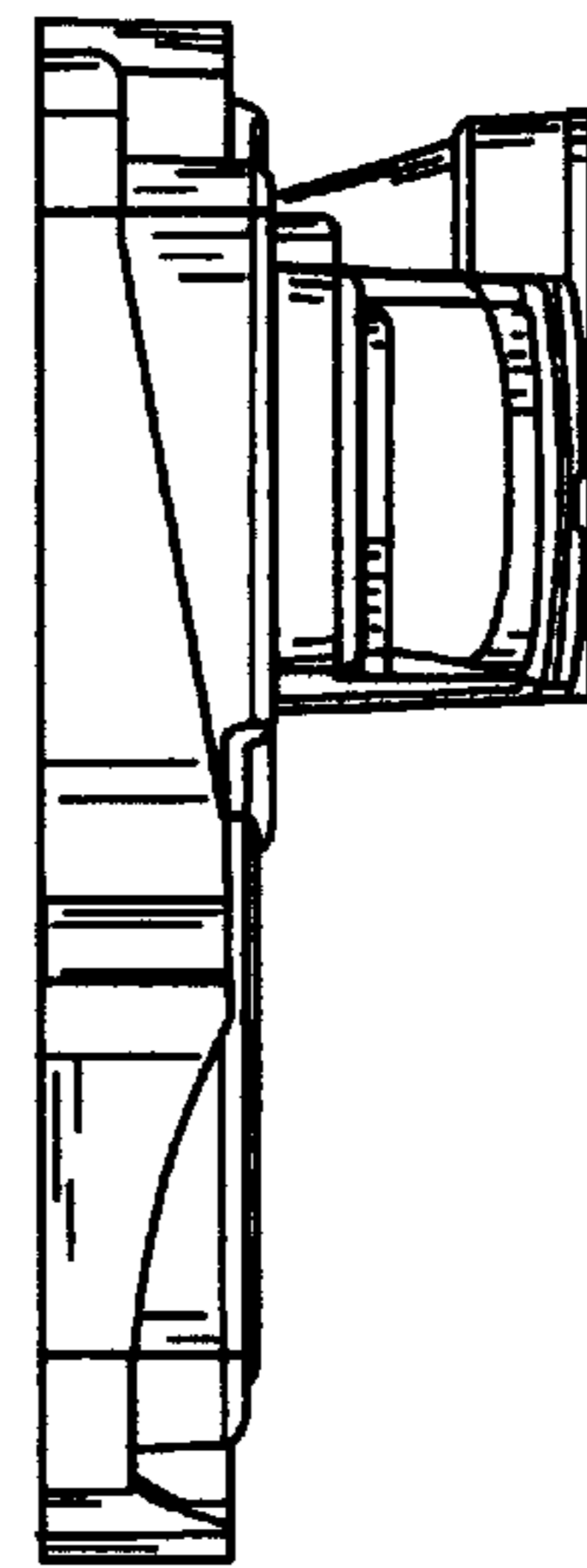


Fig. 7