



US00D533558S

(12) **United States Design Patent** (10) **Patent No.:** **US D533,558 S**
Elkhuizen et al. (45) **Date of Patent:** **** Dec. 12, 2006**

(54) **LAPTOP HOLDER**

(75) Inventors: **Jan Willem Elkhuizen**, Leeuwarden (NL); **Wim Bakker**, Almere (NL); **Hendrik Gerrit Blom**, Den Haag (NL); **Peter Johan Elkhuizen**, Amersfoort (NL)

(73) Assignee: **Bakker & Elkhuizen Holding B.V.**, Almere (NL)

(**) Term: **14 Years**

(21) Appl. No.: **29/212,331**

(22) Filed: **Aug. 31, 2004**

(30) **Foreign Application Priority Data**

Mar. 8, 2004 (EM) 000150230

(51) **LOC (8) Cl.** **08-07**

(52) **U.S. Cl.** **D14/447**

(58) **Field of Classification Search** 248/442.2, 248/918, 279.1, 284.1, 454, 457, 917, 65, 248/441.1, 455, 460, 923, 371, 447, 393, 248/398, 122.1, 127, 133, 136; D14/447, D14/434, 375, 376, 432, 439, 451, 356, 316; D6/300, 512, 310-12, 419; 361/683, 686; 108/10, 28, 32, 6; D19/86, 90-1
See application file for complete search history.

(56) **References Cited**

U.S. PATENT DOCUMENTS

D262,978 S * 2/1982 Nagley D19/91
4,356,918 A * 11/1982 Kahle et al. 206/759
4,436,271 A * 3/1984 Manso 248/460
D292,851 S * 11/1987 Krone D6/300
D317,910 S * 7/1991 Hawkins et al. D14/447
5,100,098 A * 3/1992 Hawkins 248/291.1
5,443,237 A * 8/1995 Stadtmauer 248/441.1
D363,473 S * 10/1995 Leman D14/434
5,651,524 A * 7/1997 Calfee 248/442.2
D395,640 S * 6/1998 Goodman et al. D14/447
5,899,421 A * 5/1999 Silverman 248/175

D437,600 S * 2/2001 Calfee D14/447
6,435,466 B1 * 8/2002 Adams 248/455
D468,542 S * 1/2003 Hennekes et al. D6/310
6,545,864 B1 * 4/2003 Davis, IV 361/683
6,556,435 B1 * 4/2003 Helot et al. 361/686
D480,088 S 9/2003 Bakker et al.
2002/0088915 A1 * 7/2002 Nash et al. 248/454
2003/0001064 A1 * 1/2003 Book 248/460
2003/0111582 A1 * 6/2003 Bakker et al. 248/460

FOREIGN PATENT DOCUMENTS

WO DM/055 339 2/2001
WO DM/061 339 5/2002
WO DM/063 385 12/2002

OTHER PUBLICATIONS

Elkhuizen, Jen Willem, et al., *Zie Afbeelding(en)*, Aug. 25, 2005, p. 1268 32905-05.
Benelux-Bureau Voor Tekeningen of Modellen, Ref. No. 00055, Sep. 22, 2003.

(Continued)

Primary Examiner—Alan P. Douglas
Assistant Examiner—Susan Moon Lee
(74) *Attorney, Agent, or Firm*—Merchant & Gould P.C.

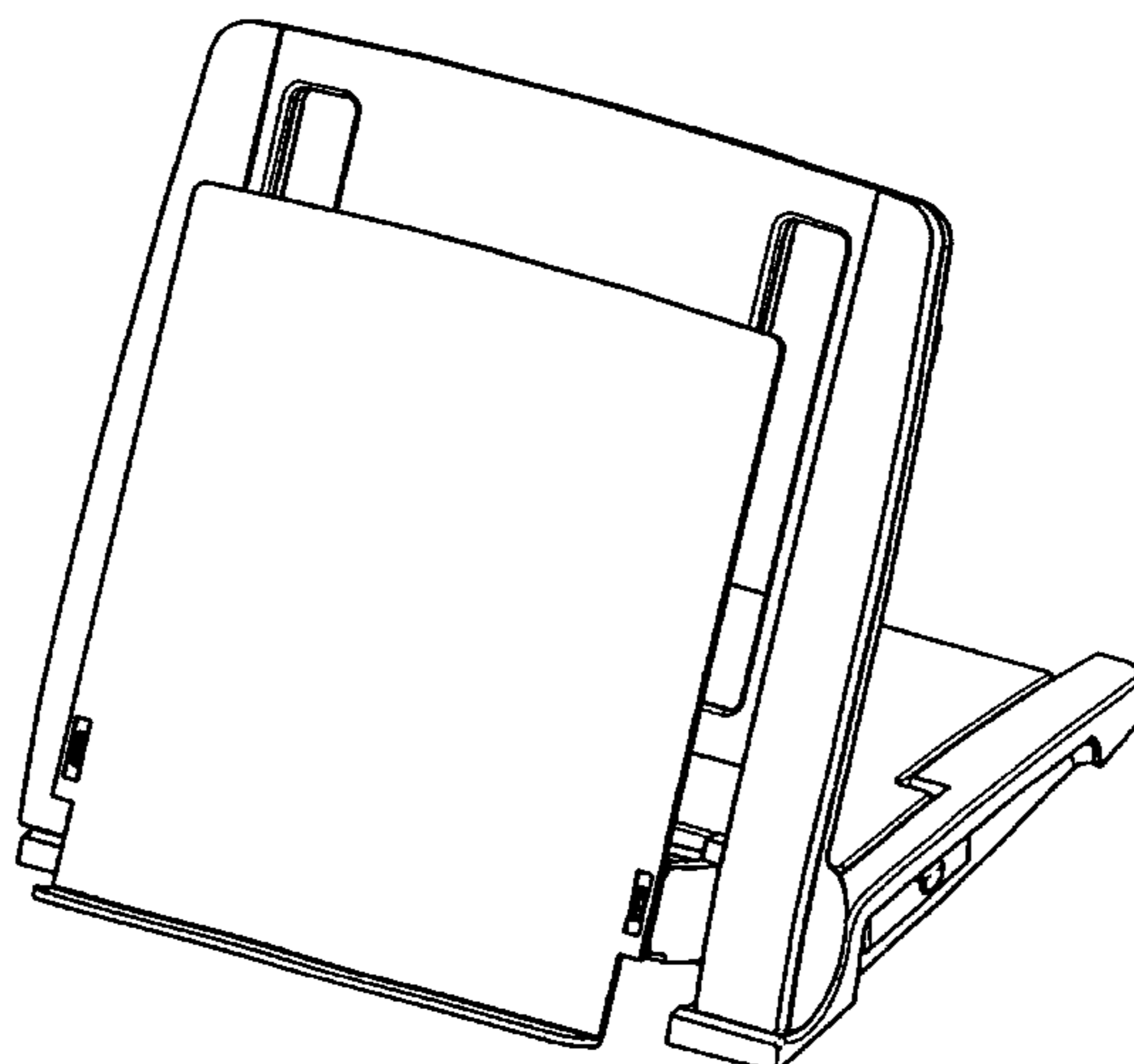
(57) **CLAIM**

The ornamental design for a laptop holder, as shown and described.

DESCRIPTION

FIG. 1 is a front elevational view of a laptop holder according to the principles of the present invention in an open position;
FIG. 2 is a right elevational view thereof in an open position;
FIG. 3 is a rear elevational view thereof in a closed position;
FIG. 4 is a top plan view thereof in a closed position;
FIG. 5 is a right side elevational view thereof in a closed position;
FIG. 6 is a perspective view thereof in a closed position; and,
FIG. 7 is a perspective view thereof in an open position.

1 Claim, 3 Drawing Sheets



OTHER PUBLICATIONS

Benelux–Bureau Voor Tekeningen of Modellen, Ref No. 41189, Nov. 21, 2003.

The Patent Office Reg. No. 3009747. Certificate granted: Apr. 8, 2003, Title “Document Holder” Registered to: Bakker & Elkhuiser Holding B. V.

The Patent Office, Reg. No. 3004147. Certificate granted: Mar. 5, 2003. Title “Holder for lap top computer” Registered to: Bakker & Elkhuisen Holding B.V.

The Patent Office Reg. No. 2099758 Certificate granted: Aug. 25, 2000. Title ‘Laptop Holder’ Registered to: Bakker & Elkhuisen Ergonomic B.V.

Benelux–Bureau Voor Tekeningen of Modellen, Ref. No. 30824–00, Feb. 12 1999, “De monitorsteun bestaat uit twee plexiglazen U–vormige delen”.

Benelux–Bureau Voor Tekeningen of Modellen, Ref. No. 30010–01, Jul. 14, 1998. “Monitorsteun (kl 14–99)”.

Benelux–Bureau Voor Tekeningen of Modellen, Ref No. 30010–02, Jul. 14, 1998. “Monitorsteun (kl 14–99)”.

Benelux–Bureau Voor Tekeningen of Modellen, Ref No. 30010–03, Jul. 14, 1998. “Monitorsteun (kl 14–99)”.

Benelux–Bureau Voor Tekeningen of Modellen, Ref. No. 30010–04, Jul. 14, 1998 “Monitorsteun (kl 14–99)”.

Benelux–Bureau Voor Tekeningen of Modellen, Ref 35603–00, Jan. 16, 2004.

The Patent Office Reg. No. 2099758 Certificate granted: Aug. 25, 2000. Title ‘Laptop Holder’ Registered to: Bakker & Elkhuisen Ergonomie B.V.

* cited by examiner

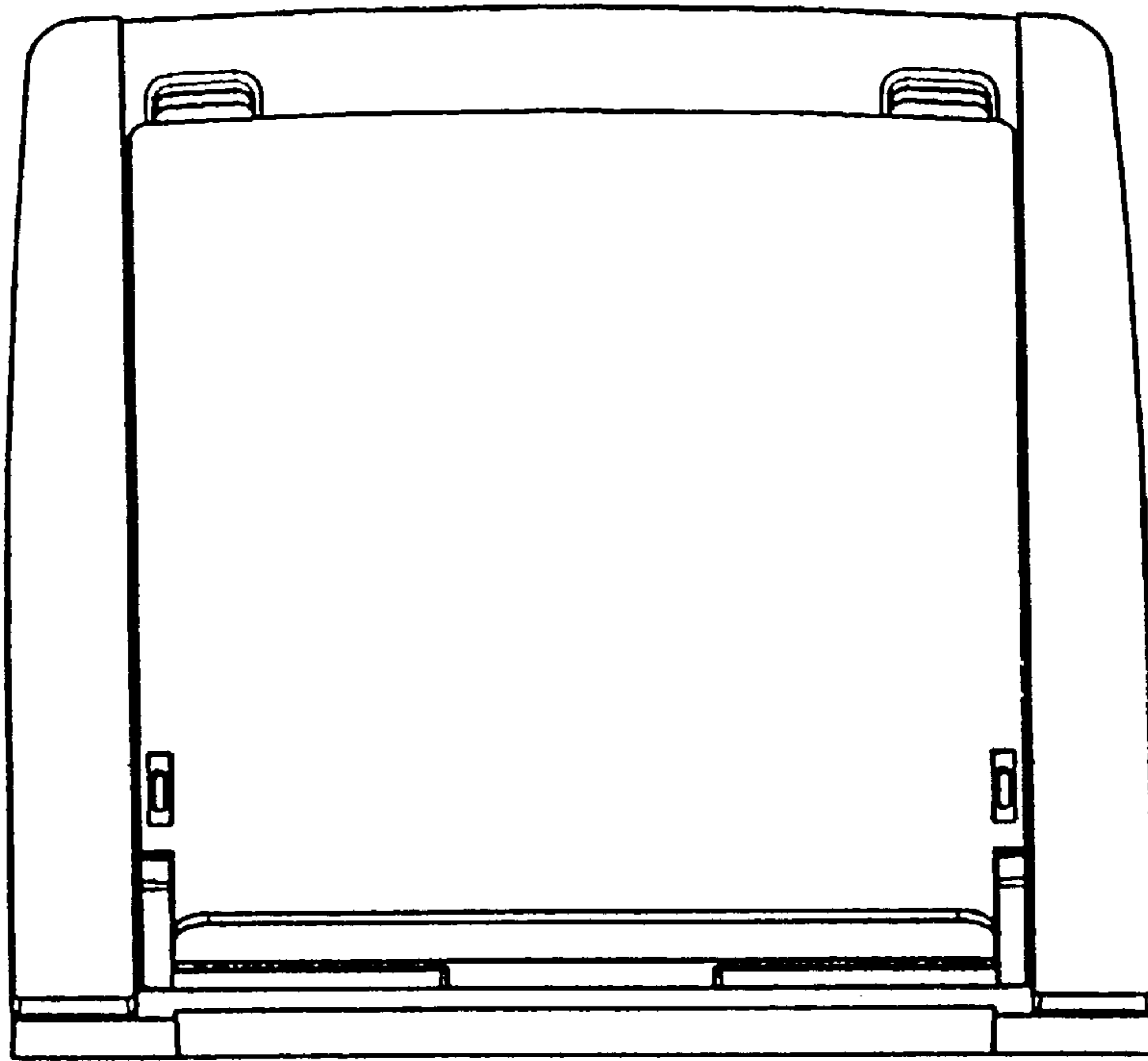


FIG. 1

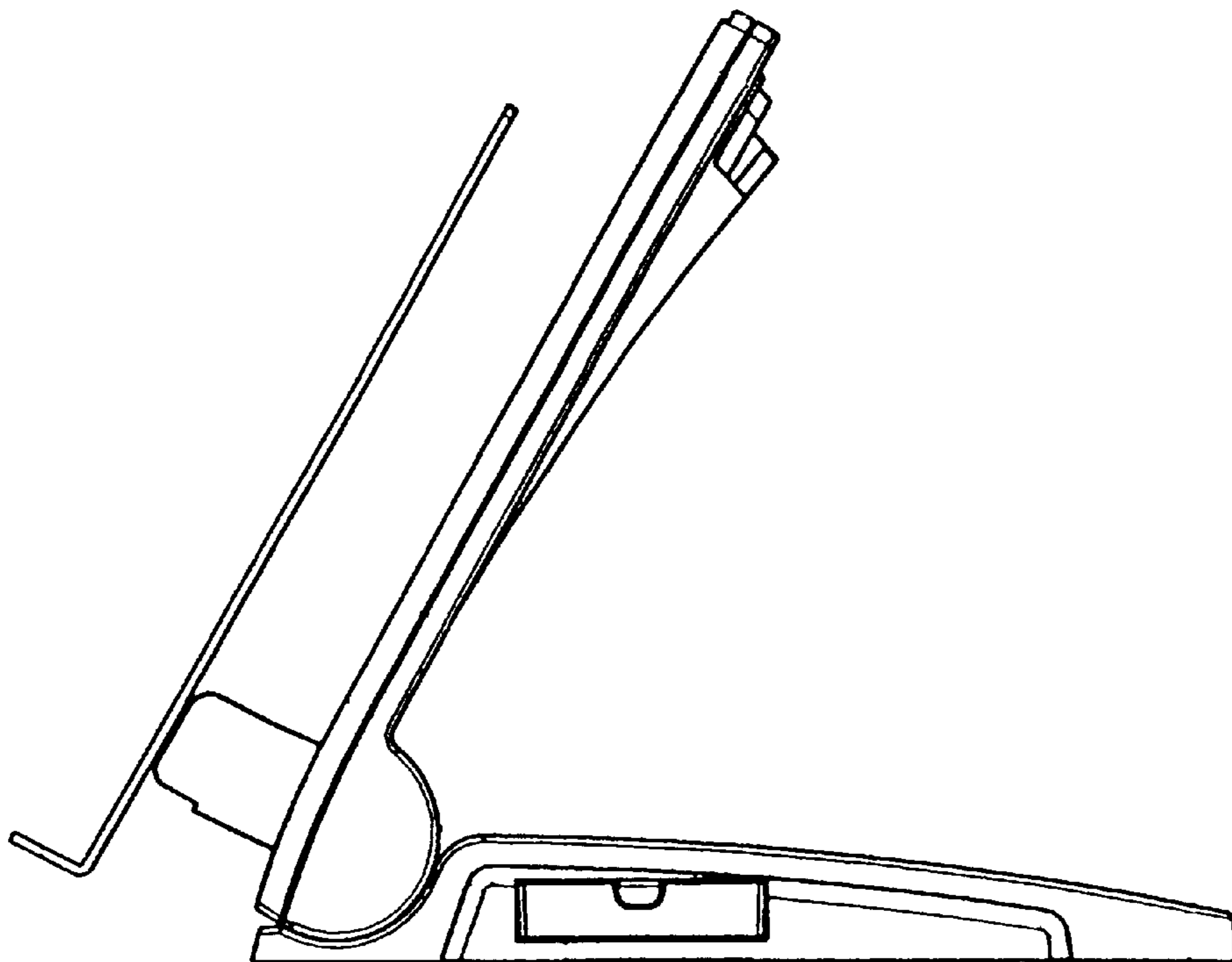


Fig. 2

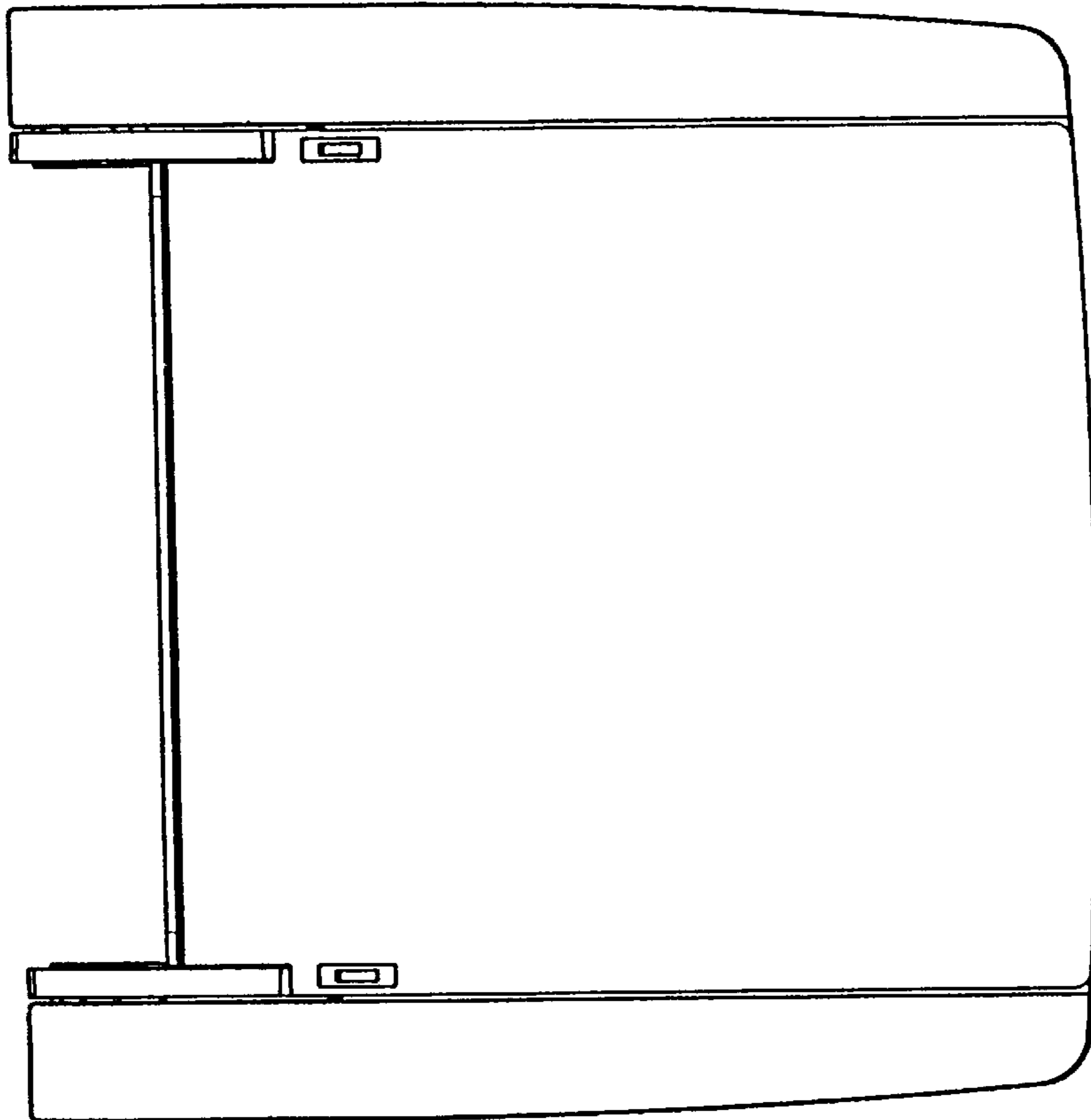


Fig. 4

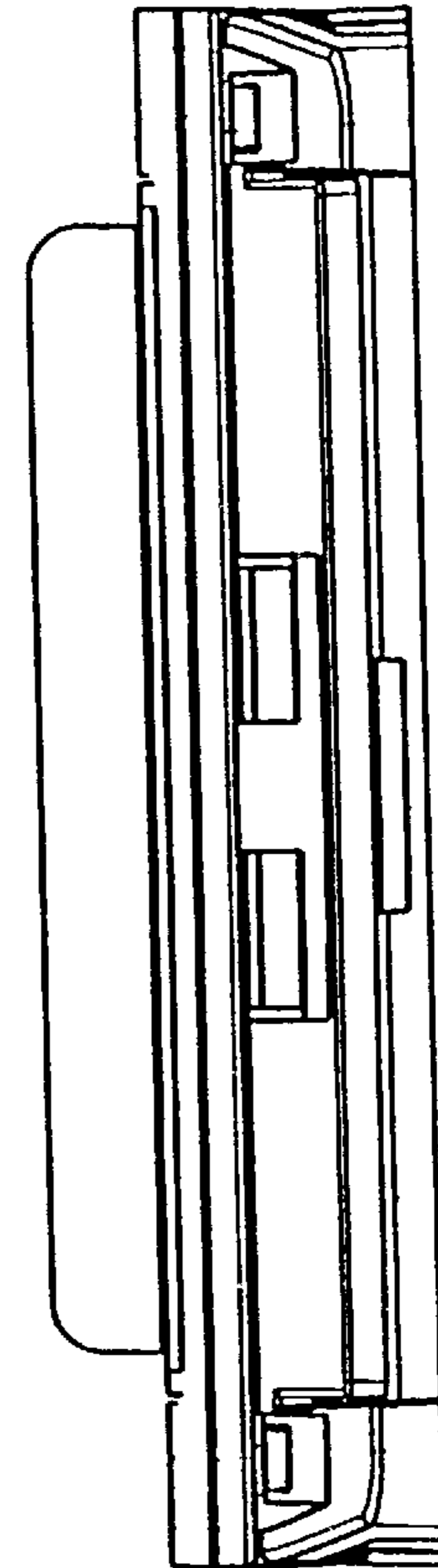


Fig. 3

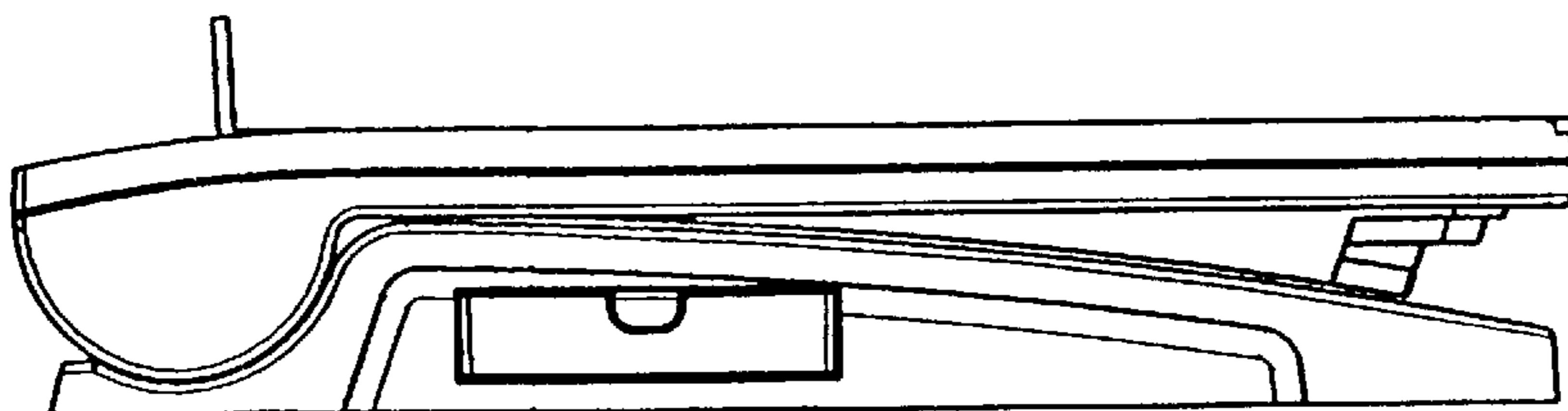


Fig. 5

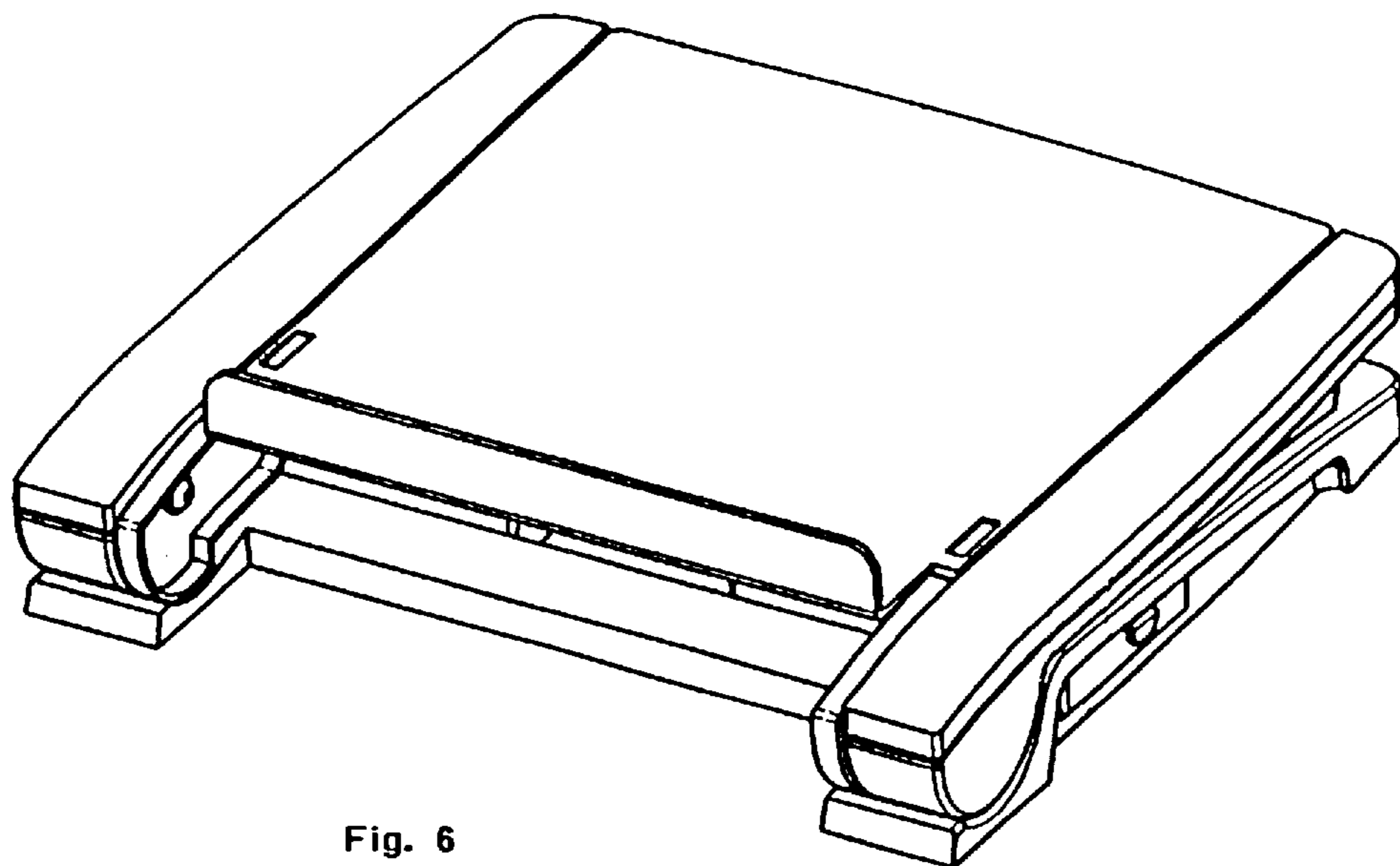


Fig. 6

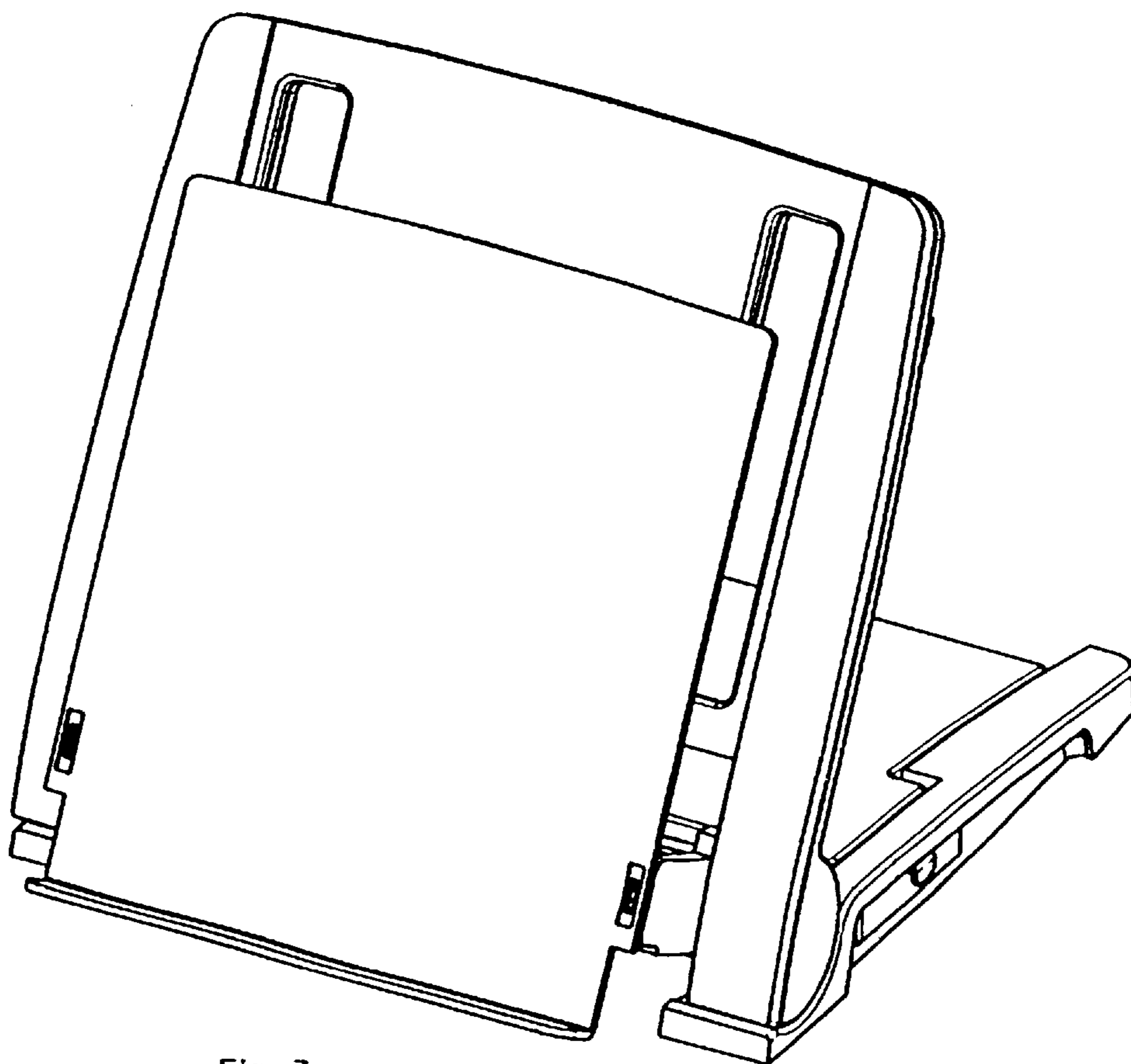


Fig. 7