



US00D533556S

(12) **United States Design Patent**
Yamada et al.

(10) **Patent No.:** **US D533,556 S**

(45) **Date of Patent:** **** Dec. 12, 2006**

(54) **IC MEMORY CARD**

(75) Inventors: **Hiroyuki Yamada**, Hirakata (JP);
Yutaka Nakamura, Kyoto (JP);
Hiroyuki Sakamoto, Oume (JP); **Hem**
Takiar, Fremont, CA (US); **Robert**
Miller, San Jose, CA (US)

(73) Assignee: **Matsushita Electric Industrial Co.,**
Ltd., Osaka (JP)

(**) Term: **14 Years**

(21) Appl. No.: **29/208,280**

(22) Filed: **Jun. 24, 2004**

Related U.S. Application Data

(62) Division of application No. 29/169,127, filed on Oct. 15,
2002, now Pat. No. Des. 517,072.

(51) **LOC (8) Cl.** **14-02**

(52) **U.S. Cl.** **D14/436**

(58) **Field of Classification Search** D14/435-8,
D14/478-80; 361/736-7, 686, 752; 257/678-9;
40/124.01; 283/75-6, 901; 235/487-95, 441-3,
235/375; 439/135, 140, 76.1; D8/347
See application file for complete search history.

(56) **References Cited**

U.S. PATENT DOCUMENTS

D444,473 S 7/2001 Okamoto et al.

D445,111 S 7/2001 Okamoto et al.
D446,525 S 8/2001 Okamoto et al.
D452,243 S * 12/2001 Wallace D14/436
D453,934 S * 2/2002 Wallace et al. D14/436
D457,887 S * 5/2002 Kadonaga D14/436
D467,586 S * 12/2002 Shimoda et al. D14/436
D475,056 S 5/2003 Taniguchi et al.
D476,011 S 6/2003 Taniguchi et al.

* cited by examiner

Primary Examiner—M. H. Tung

(74) *Attorney, Agent, or Firm*—Brinks Hofer Gilson &
Lione

(57) **CLAIM**

We claim the ornamental design for an IC memory card, as
shown and described.

DESCRIPTION

FIG. 1 is a perspective view of an IC memory card showing
our new design;
FIG. 2 is a front elevational view thereof;
FIG. 3 is a rear elevational view thereof;
FIG. 4 is a left side view thereof;
FIG. 5 is a right side view thereof;
FIG. 6 is a top plan view thereof;
FIG. 7 is a bottom plan view thereof
FIG. 8 is a cross sectional view along line 8—8 of FIG. 2;
and,
FIG. 9 is a cross sectional view along line 9—9 of FIG. 2.

1 Claim, 9 Drawing Sheets

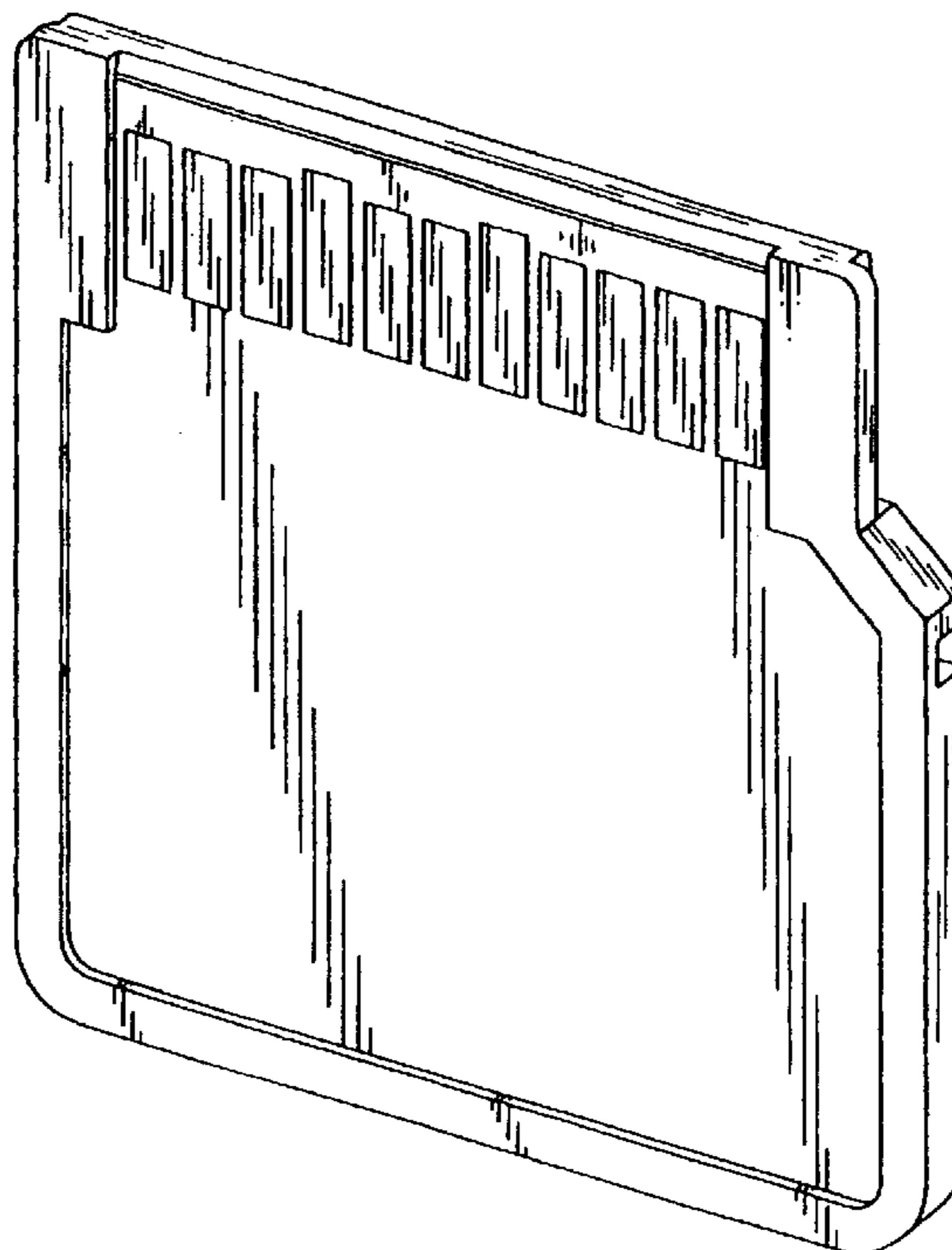


FIG. 1

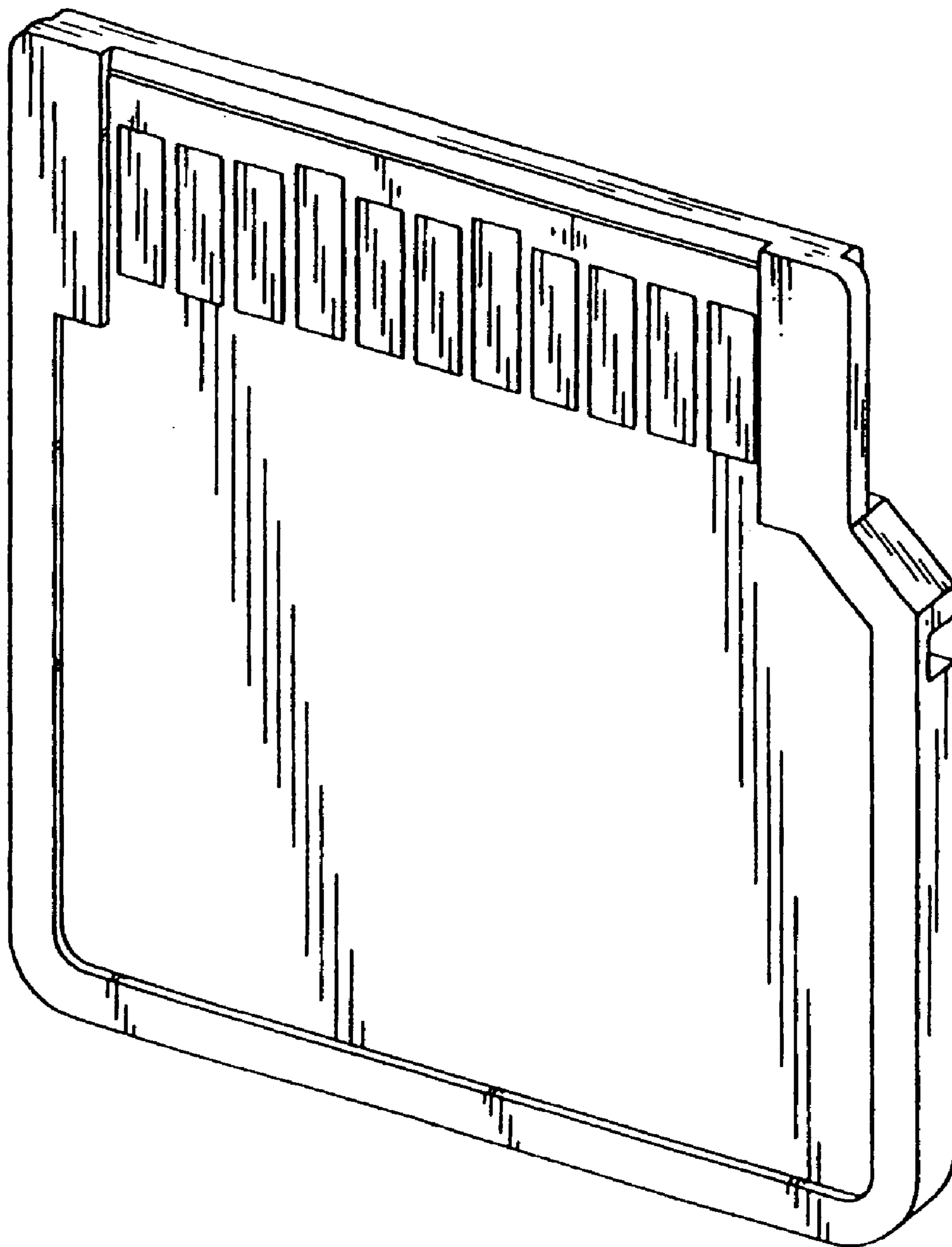


FIG. 2

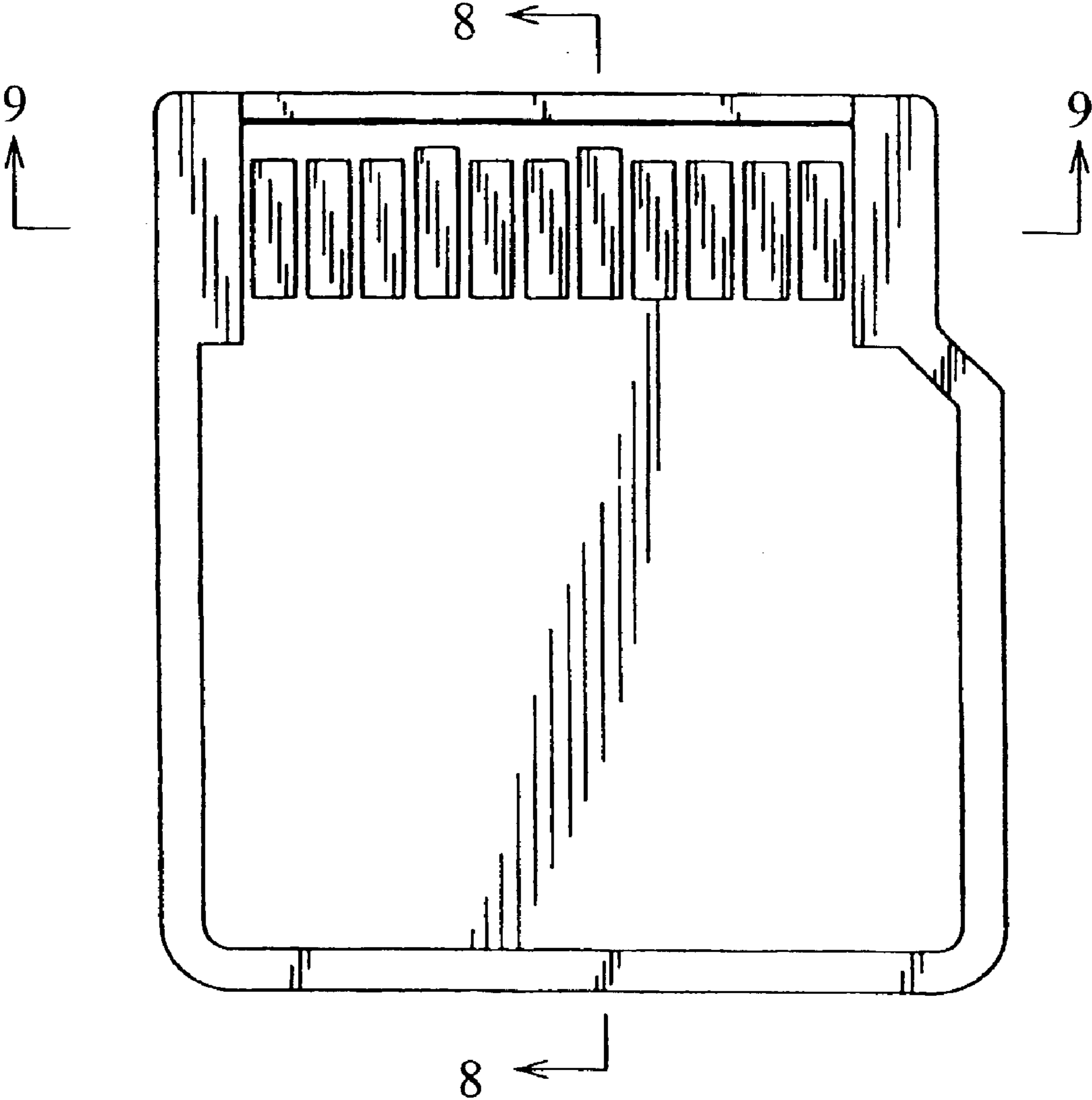


FIG. 3

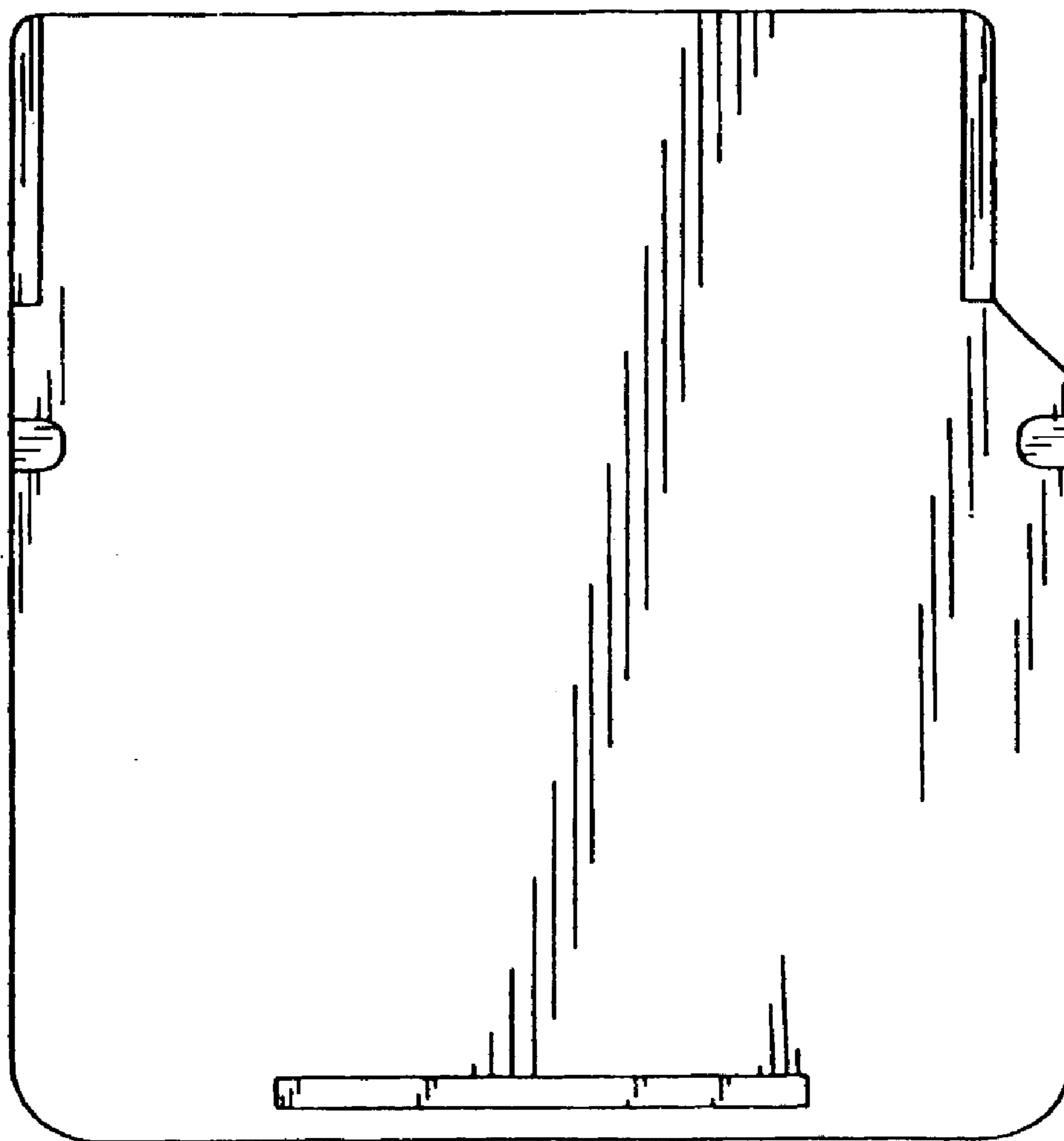


FIG. 4



FIG. 5



FIG. 6

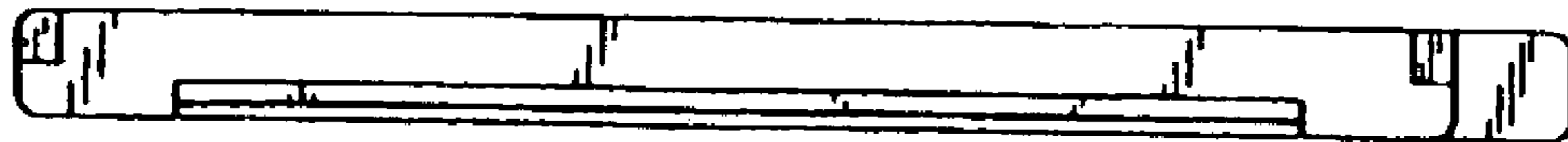


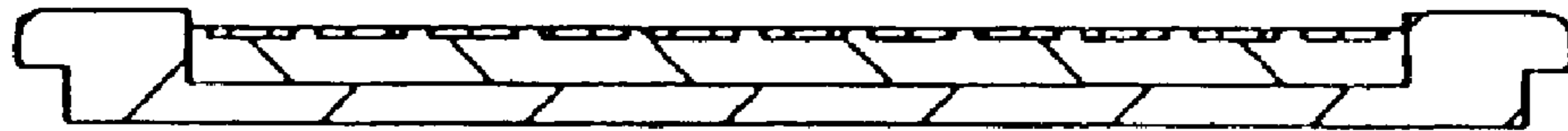
FIG. 7



FIG. 8



FIG. 9



UNITED STATES PATENT AND TRADEMARK OFFICE
CERTIFICATE OF CORRECTION

PATENT NO. : Des. 533,556 S
APPLICATION NO. : 29/208280
DATED : December 12, 2006
INVENTOR(S) : Hiroyuki Yamada et al.

Page 1 of 1

It is certified that error appears in the above-identified patent and that said Letters Patent is hereby corrected as shown below:

On the Title Page

Item (73), after "Osaka (JP)", insert --; **Kabushiki Kaisha Toshiba**, Tokyo (JP); **SanDisk Corporation**, Sunnyvale, CA (US)--.

Signed and Sealed this

Second Day of October, 2007

A handwritten signature in black ink on a light gray dotted background. The signature reads "Jon W. Dudas" in a cursive style.

JON W. DUDAS

Director of the United States Patent and Trademark Office