



US00D533551S

(12) **United States Design Patent** (10) **Patent No.:** **US D533,551 S**
Smith et al. (45) **Date of Patent:** **** Dec. 12, 2006**

(54) **ENCLOSURE FOR A HANDHELD COMPUTER**

(75) Inventors: **Justine Smith**, Vancouver (CA); **Christopher S. O'Brien Wheeler**, Vancouver (CA); **David Cirjak**, Burnaby (CA); **Peter Chapman**, Sechelt (CA)

(73) Assignee: **Intrinsyc Software Internaional Inc.**, Vancouver (CA)

(**) Term: **14 Years**

(21) Appl. No.: **29/156,776**

(22) Filed: **Mar. 8, 2002**

(51) **LOC (8) Cl.** **14-02**

(52) **U.S. Cl.** **D14/341**

(58) **Field of Classification Search** D14/341-346, D14/138, 336; D18/1, 2, 7; 341/22, 23; 235/145 A, 235/145 R; 345/156, 168, 169, 172, 173; 349/12; 361/680-686

See application file for complete search history.

D401,926 S 12/1998 Leman
D403,667 S 1/1999 Musha
D408,021 S 4/1999 Haitani et al.
D410,486 S 6/1999 Takahata et al.
D411,181 S * 6/1999 Tamaki et al. D14/345
D415,476 S 10/1999 Nara et al.
D416,001 S 11/1999 Tal et al.
D419,993 S 2/2000 Silzer, Jr.
D420,987 S 2/2000 Miyahara et al.
D424,029 S 5/2000 Collins
D425,067 S 5/2000 Nguyen et al.
D426,817 S 6/2000 Sugano et al.
D429,287 S 8/2000 Nara et al.
D430,566 S 9/2000 Chu et al.
D432,511 S 10/2000 Eckholm
D433,016 S 10/2000 Matsuda et al.
D433,057 S 10/2000 Chu et al.
D434,034 S 11/2000 Burke et al.
D441,733 S 5/2001 Do et al.
D442,156 S 5/2001 Lee
D443,293 S 6/2001 Chan
6,266,240 B1 7/2001 Urban et al.

* cited by examiner

Primary Examiner—Freda S. Nunn
(74) *Attorney, Agent, or Firm*—Hall, Vande Sande & Pequignot LLP; Matthew A. Pequignot

(56) **References Cited**
U.S. PATENT DOCUMENTS

D321,865 S 11/1991 Derocher
D325,903 S 5/1992 Kimble
D333,129 S 2/1993 Derocher
D339,139 S 9/1993 Jone et al.
D348,444 S 7/1994 Papademetriou et al.
D354,478 S 1/1995 Miyahara
D355,171 S 2/1995 Derocher
D361,754 S 8/1995 Jambhekar et al.
D366,463 S 1/1996 Ive et al.
D382,253 S 8/1997 Claxton et al.
D383,731 S 9/1997 Mieki et al.
D389,149 S 1/1998 Actor et al.
D396,215 S 7/1998 Inukai
D397,679 S 9/1998 Hawkins et al.
D398,904 S * 9/1998 Tamaki et al. D14/341

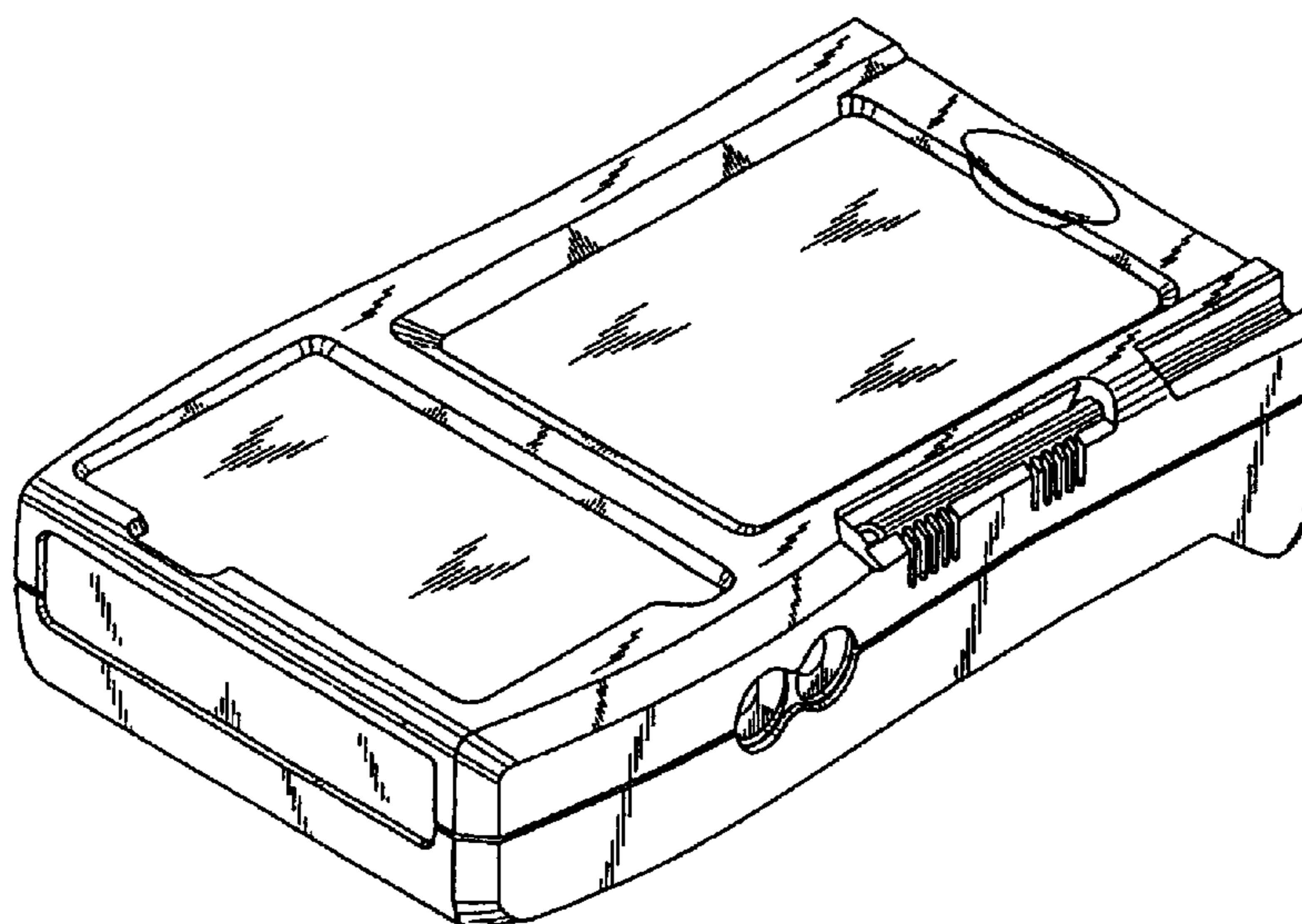
(57) **CLAIM**

The ornamental design for an enclosure for a handheld computer, as shown.

DESCRIPTION

FIG. 1 is a perspective view of the front and right side of the enclosure for a handheld computer showing the new design; FIG. 2 is a front view of the design; FIG. 3 is a back view of the design; FIG. 4 is a top view of the design; FIG. 5 is a bottom view of the design; FIG. 6 is a left side view of the design; and, FIG. 7 is a right side view of the design.

1 Claim, 7 Drawing Sheets



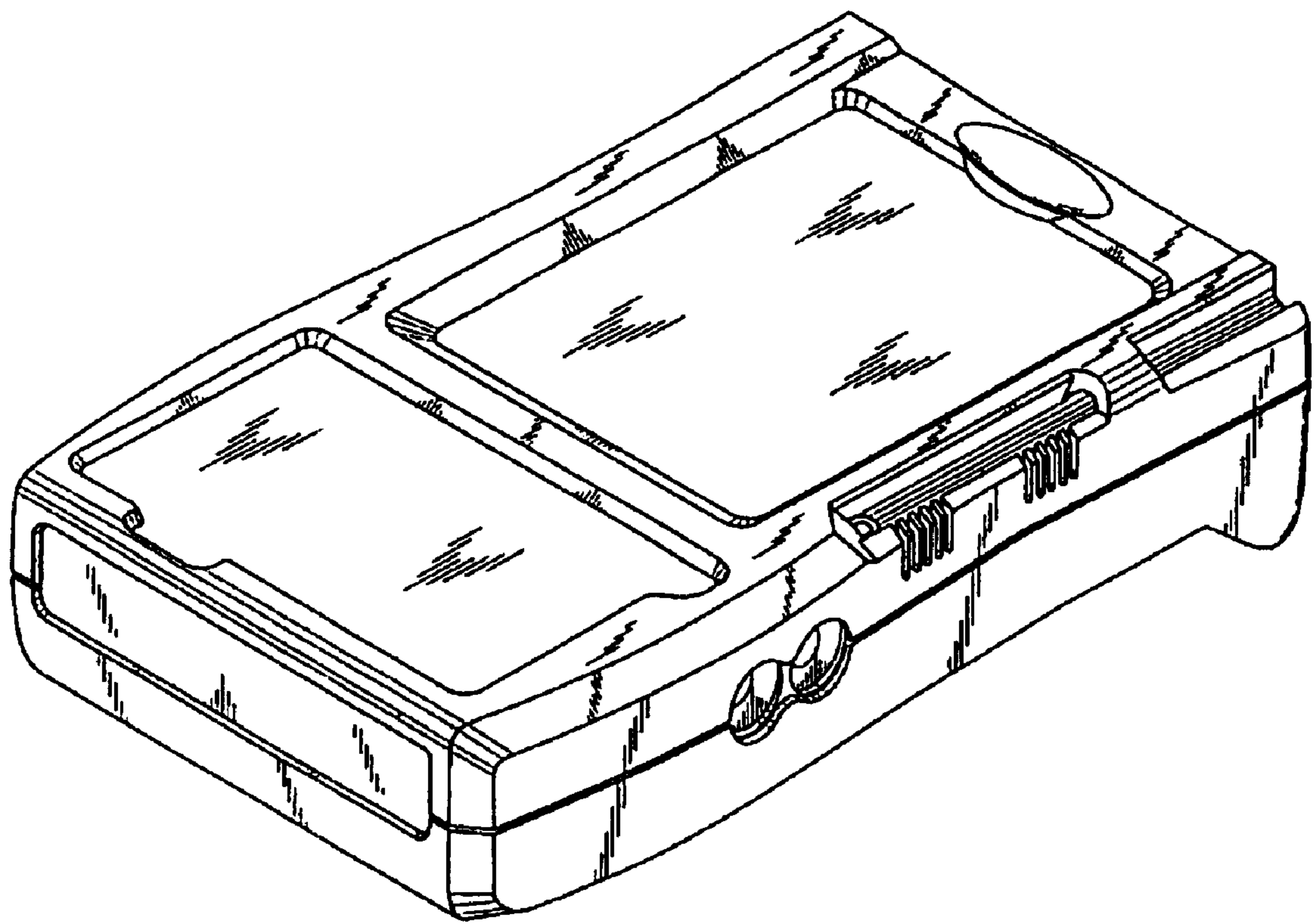


FIG. 1

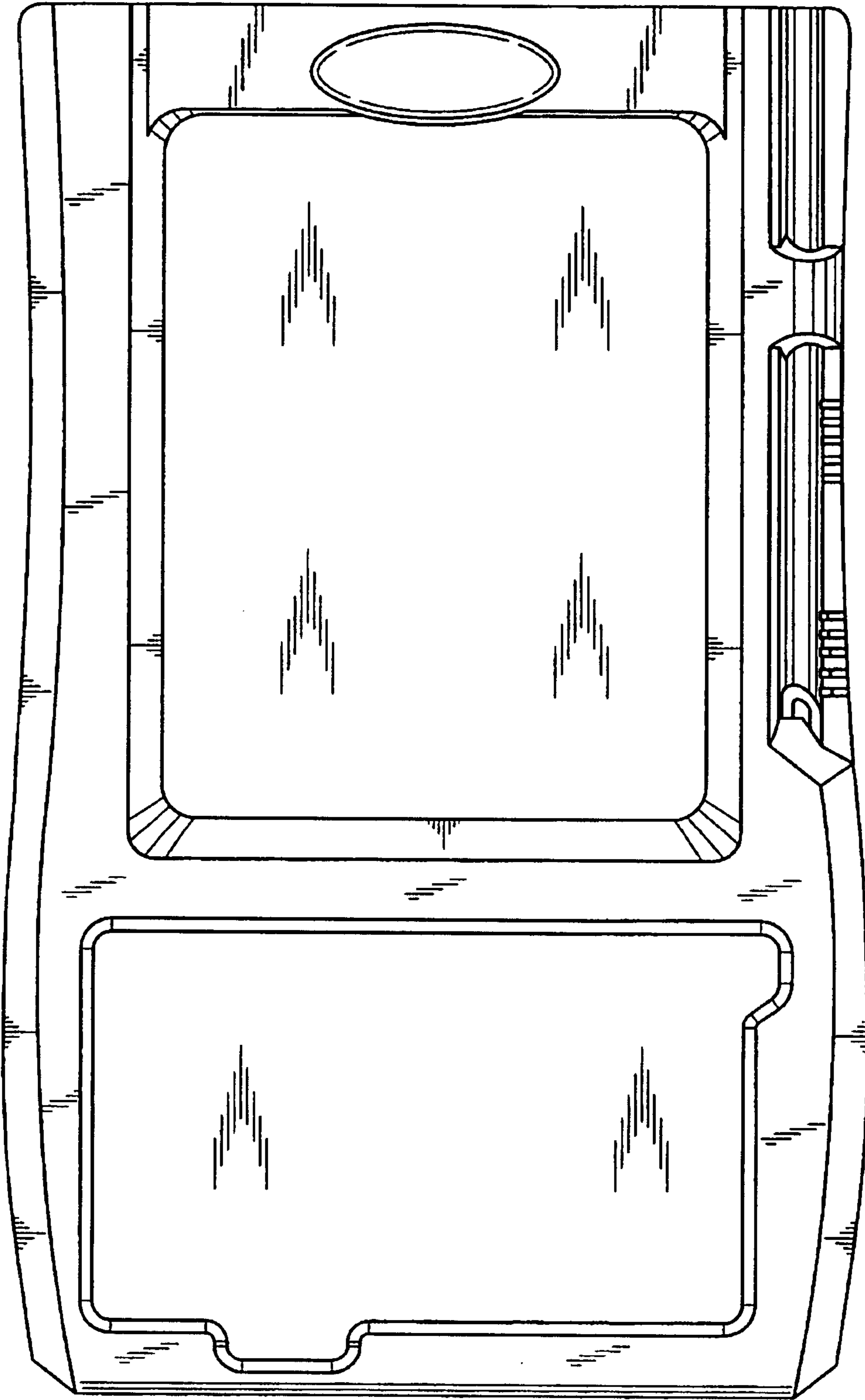


FIG. 2

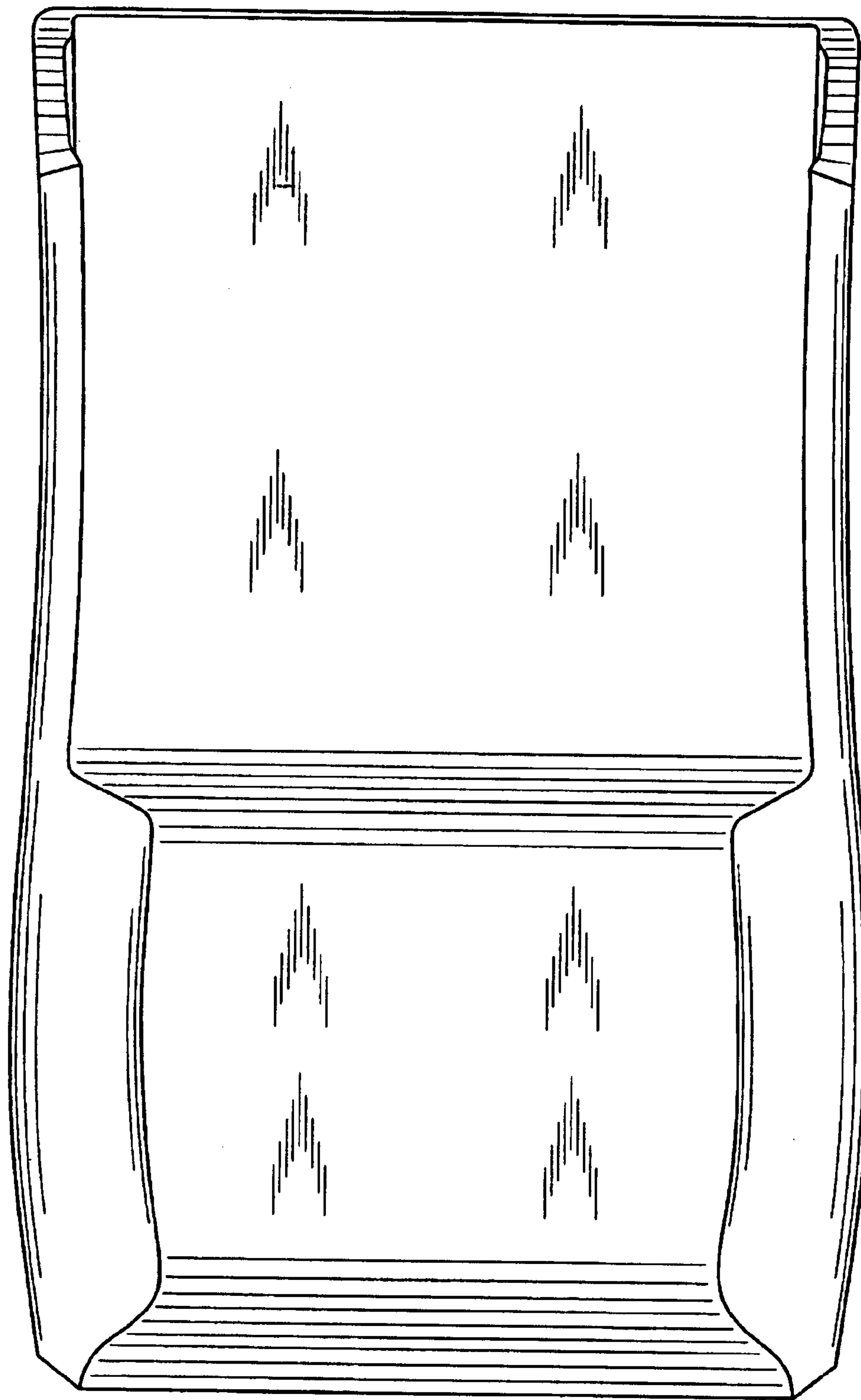


FIG. 3

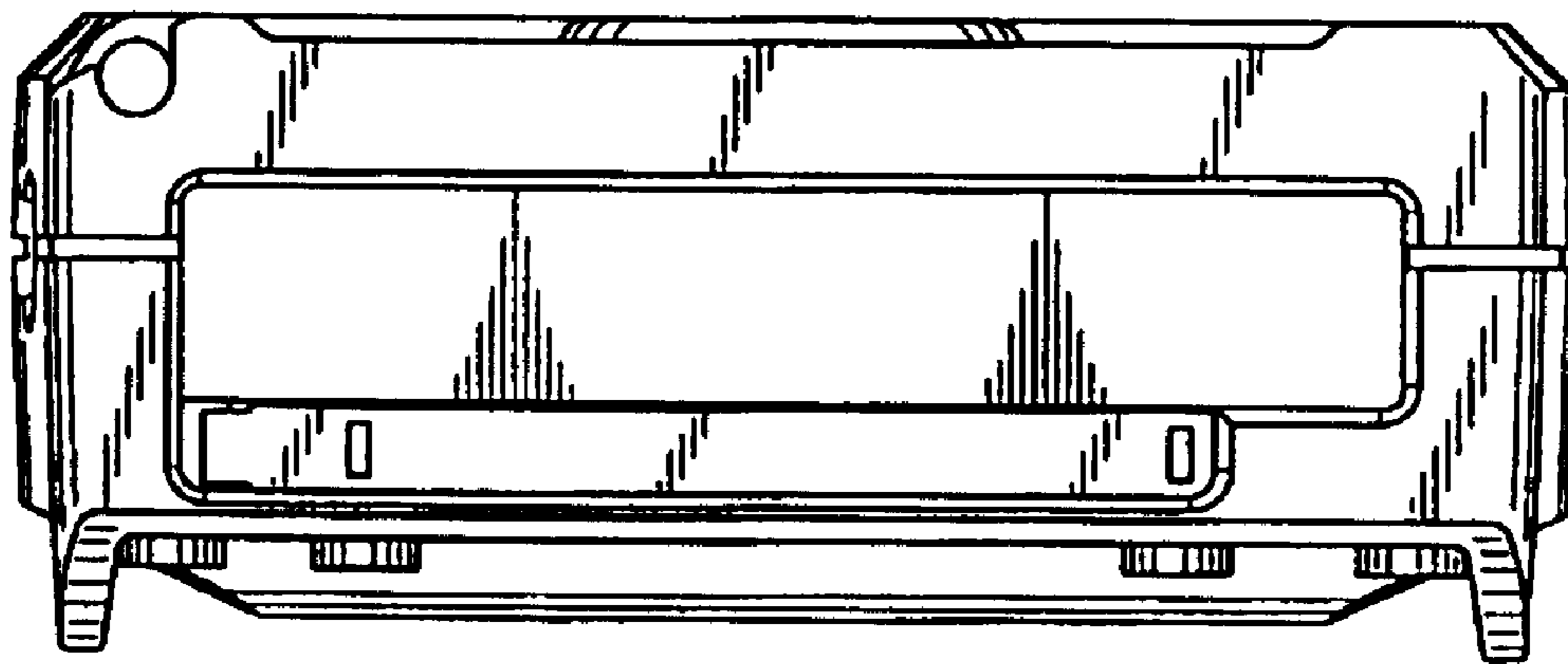


FIG. 4

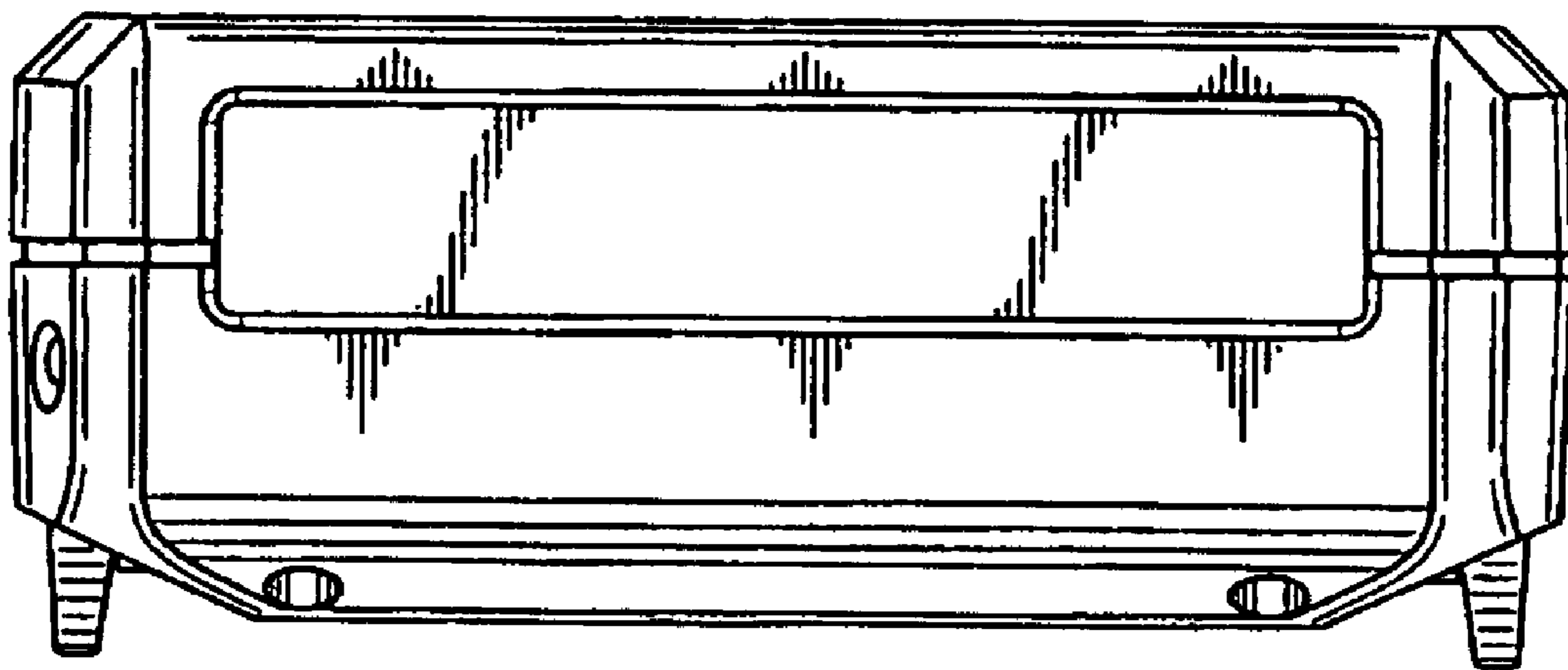


FIG. 5

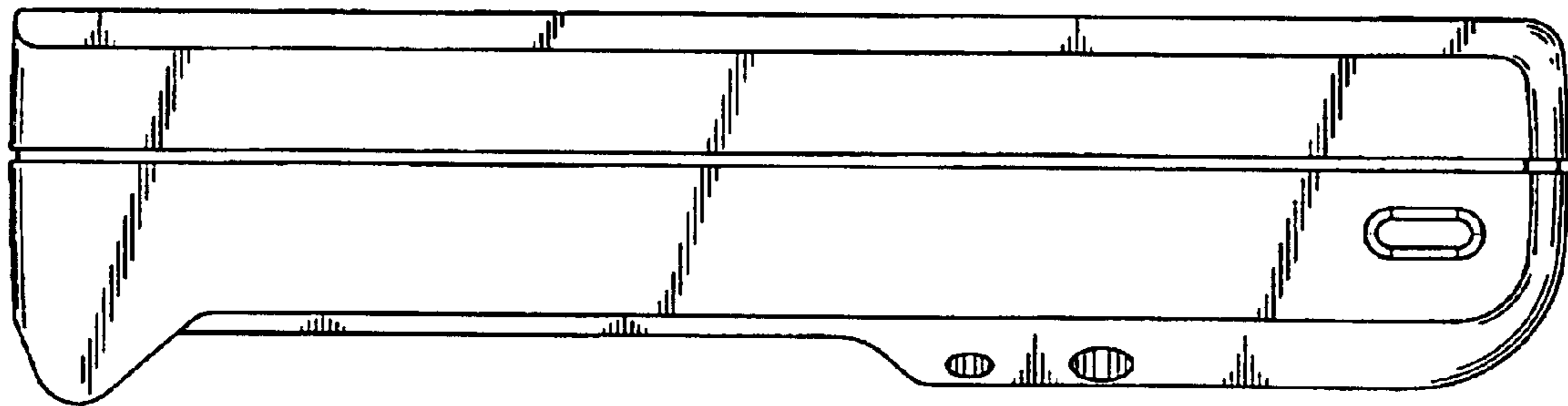


FIG. 6

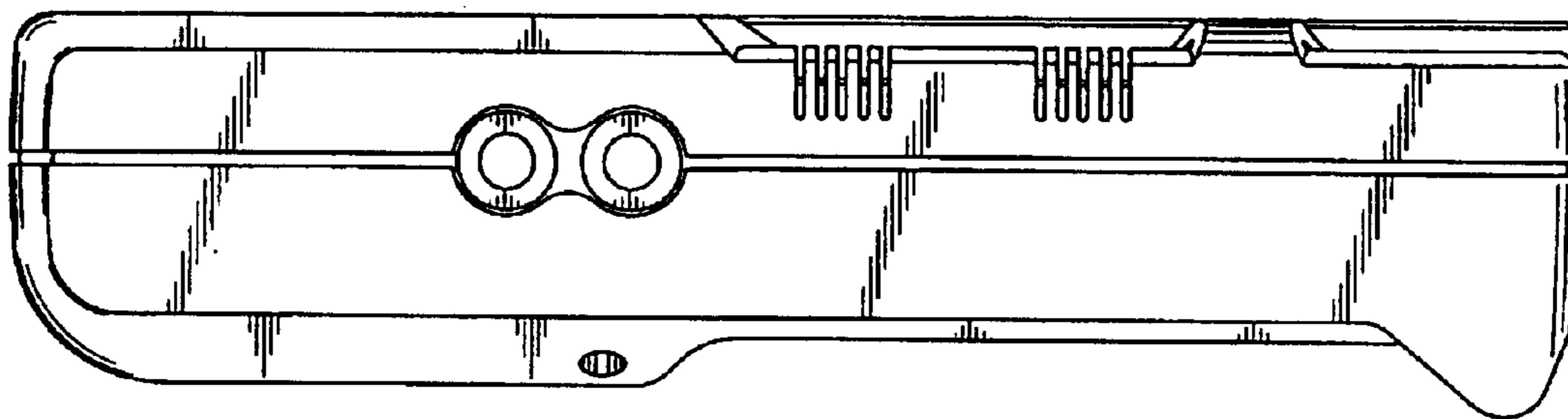


FIG. 7

UNITED STATES PATENT AND TRADEMARK OFFICE
CERTIFICATE OF CORRECTION

PATENT NO. : Des. 533,551 S
APPLICATION NO. : 29/156776
DATED : December 12, 2006
INVENTOR(S) : Justine Smith et al.

Page 1 of 1

It is certified that error appears in the above-identified patent and that said Letters Patent is hereby corrected as shown below:

On The Title Page, Item (73)

Please delete "Intrinsyc Software Internaional Inc." and insert --Intrinsyc Software International, Inc.--.

Signed and Sealed this

Fourth Day of September, 2007

A handwritten signature in black ink on a dotted background. The signature reads "Jon W. Dudas" in a cursive style.

JON W. DUDAS

Director of the United States Patent and Trademark Office