



US00D533545S

(12) **United States Design Patent**
Inoue

(10) **Patent No.:** **US D533,545 S**
(45) **Date of Patent:** **** Dec. 12, 2006**

- (54) **ANTENNA**
- (75) Inventor: **Shigemi Inoue**, Kobe (JP)
- (73) Assignee: **DX Antenna Company, Limited**,
Hyogo pref. (JP)
- (**) Term: **14 Years**
- (21) Appl. No.: **29/239,319**
- (22) Filed: **Sep. 29, 2005**
- (30) **Foreign Application Priority Data**
Apr. 22, 2005 (JP) 2005-012057
- (51) **LOC (8) Cl.** **14-03**
- (52) **U.S. Cl.** **D14/230**
- (58) **Field of Classification Search** D14/137,
D14/138, 230-238, 299, 358, 343; D12/42,
D12/43; 343/700 R-705, 871-908, 795,
343/840, 711-713, 819, 846; 455/90.2, 90.3,
455/91, 128, 269, 344, 347, 562.1
See application file for complete search history.

- D394,266 S * 5/1998 Hogenbirk D14/240
- D416,561 S * 11/1999 Godar D14/230
- D427,997 S 7/2000 Inoue
- D517,535 S * 3/2006 Wu D14/230

* cited by examiner

Primary Examiner—Louis S. Zarfes
Assistant Examiner—John Windmuller
(74) *Attorney, Agent, or Firm*—Wenderoth, Lind & Ponack,
L.L.P.

(57) **CLAIM**

The ornamental design for an antenna, as shown and described.

DESCRIPTION

FIG. 1 is a front elevational view of the antenna;
FIG. 2 is a rear elevational view of the antenna;
FIG. 3 is a top plan view of the antenna;
FIG. 4 is a bottom plan view of the antenna;
FIG. 5 is a right-side elevational view of the antenna;
FIG. 6 is a left-side elevational view of the antenna;
FIG. 7 is a perspective view of the antenna; and,
FIG. 8 is another perspective view of the antenna.

(56) **References Cited**

U.S. PATENT DOCUMENTS

- D211,028 S * 5/1968 Zucconi D14/230

1 Claim, 4 Drawing Sheets

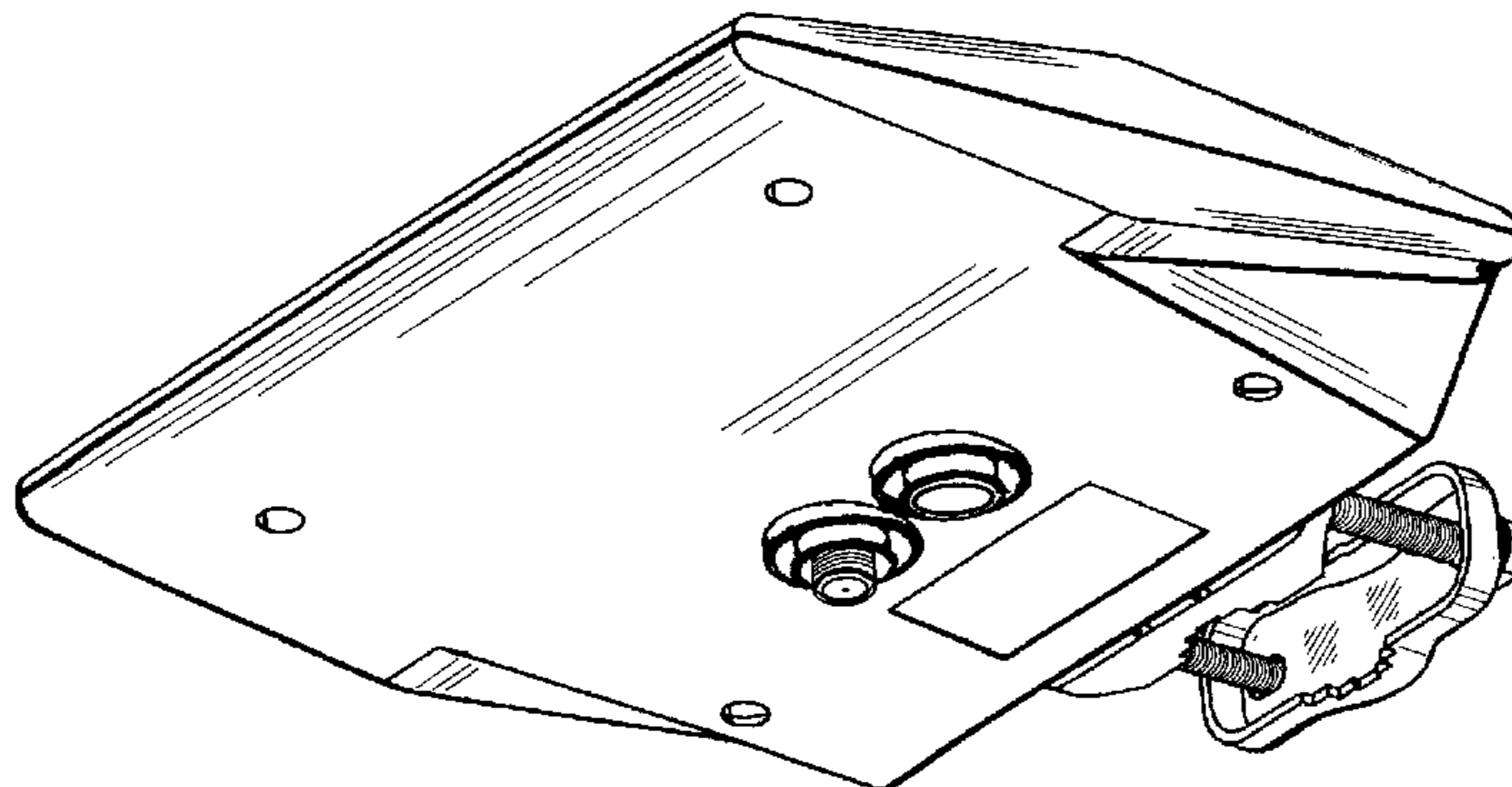
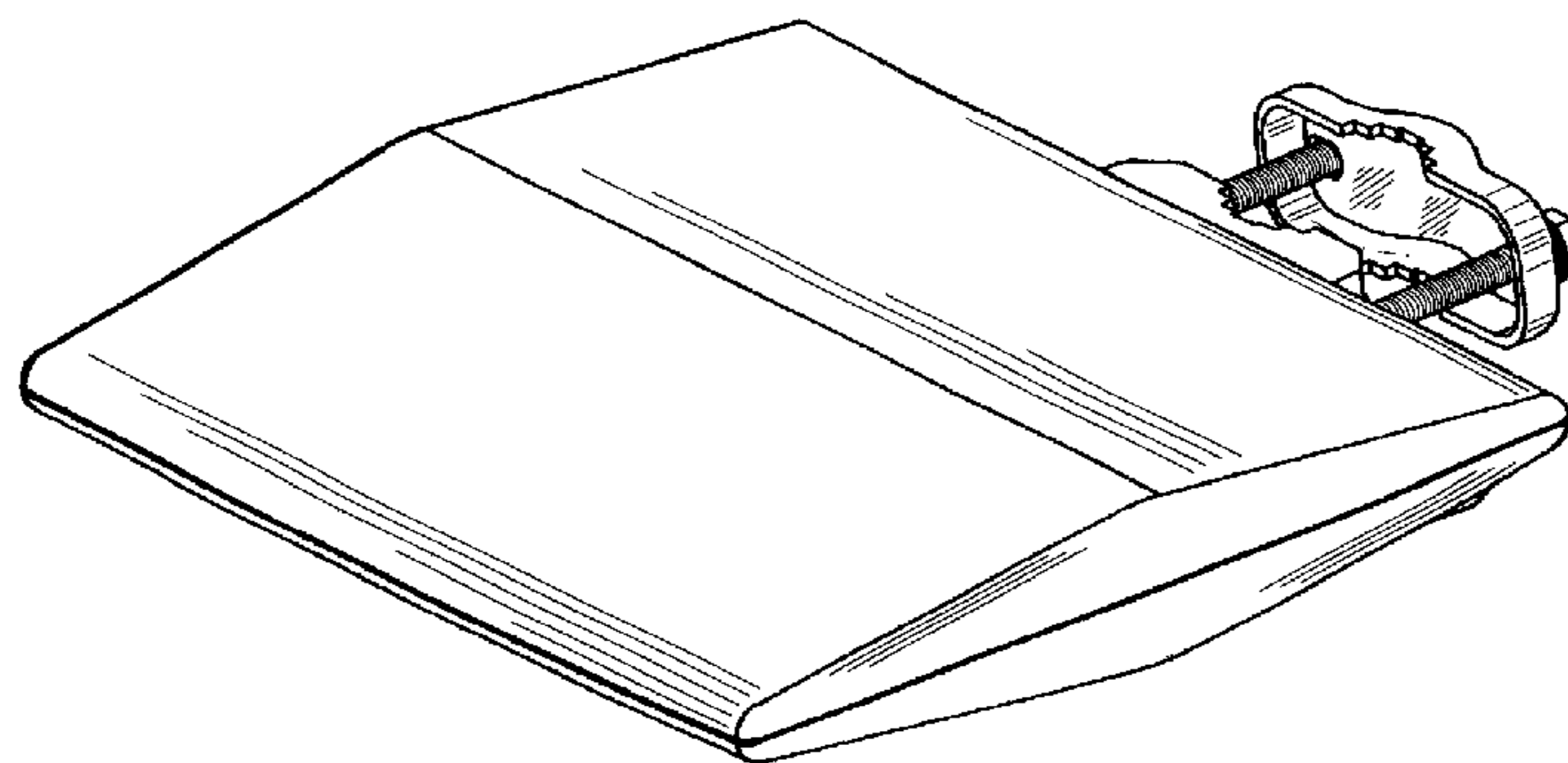


Fig. 1

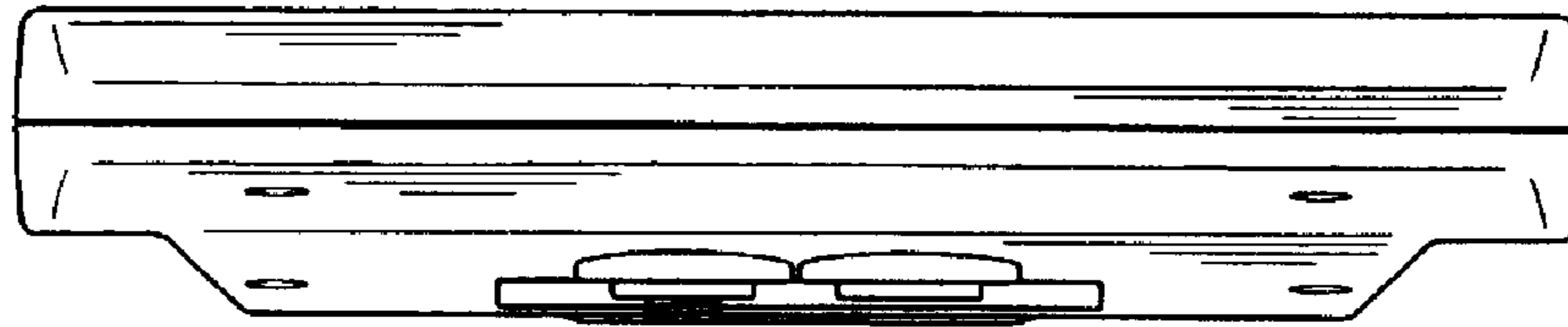


Fig. 2

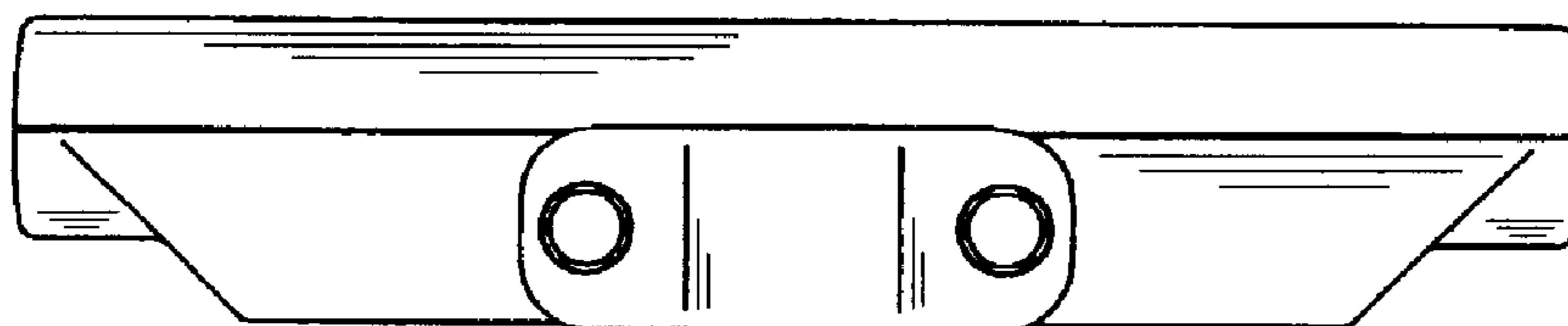


Fig. 3

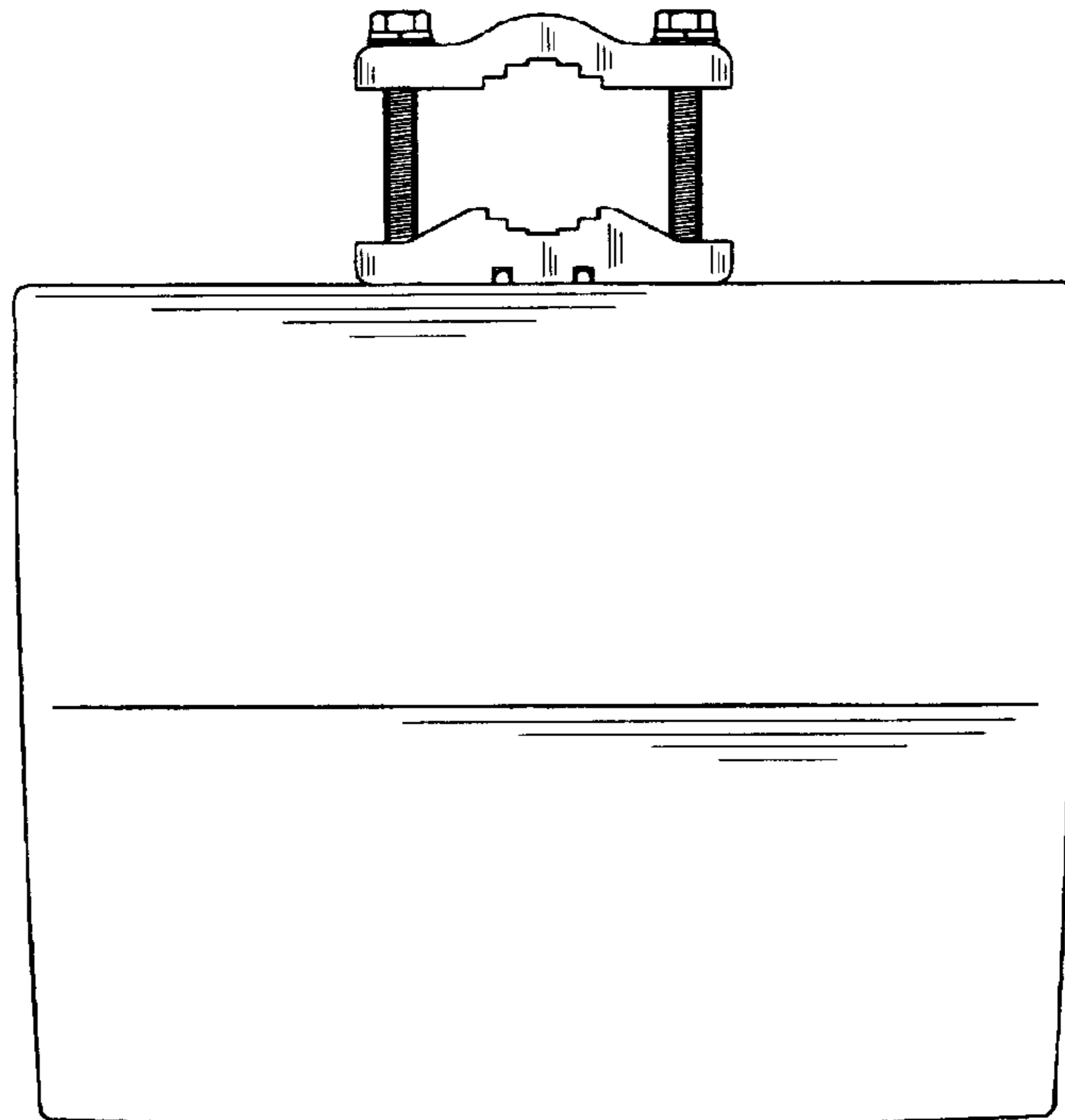


Fig. 4

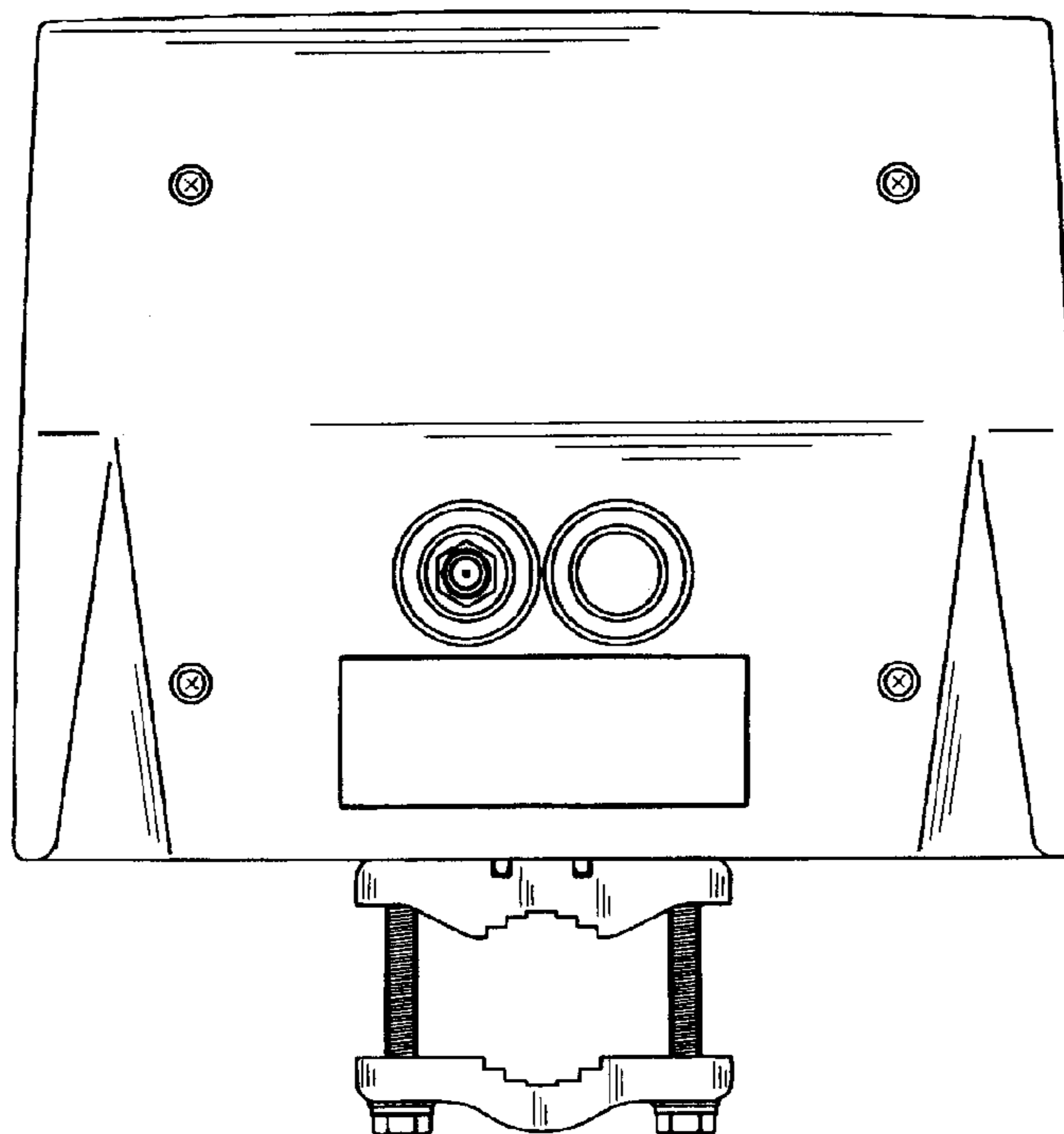


Fig. 5

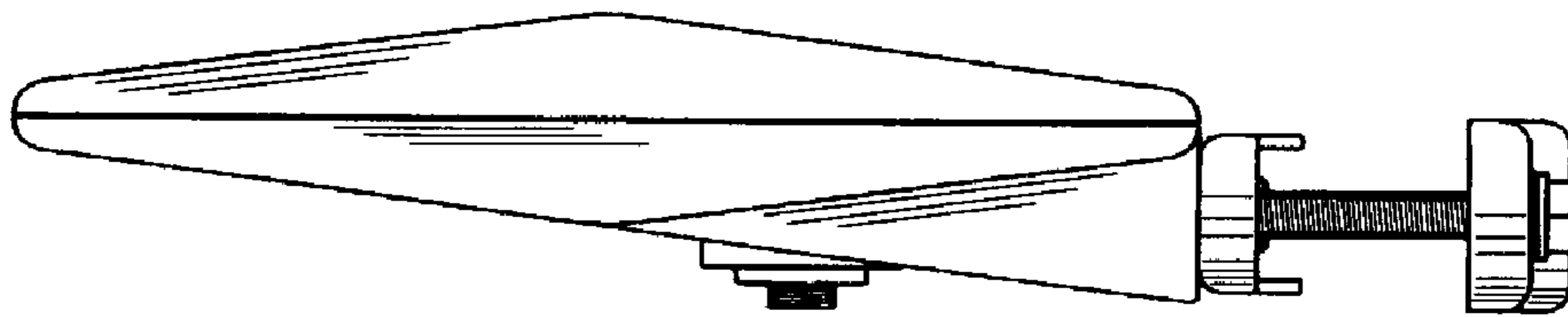


Fig. 6

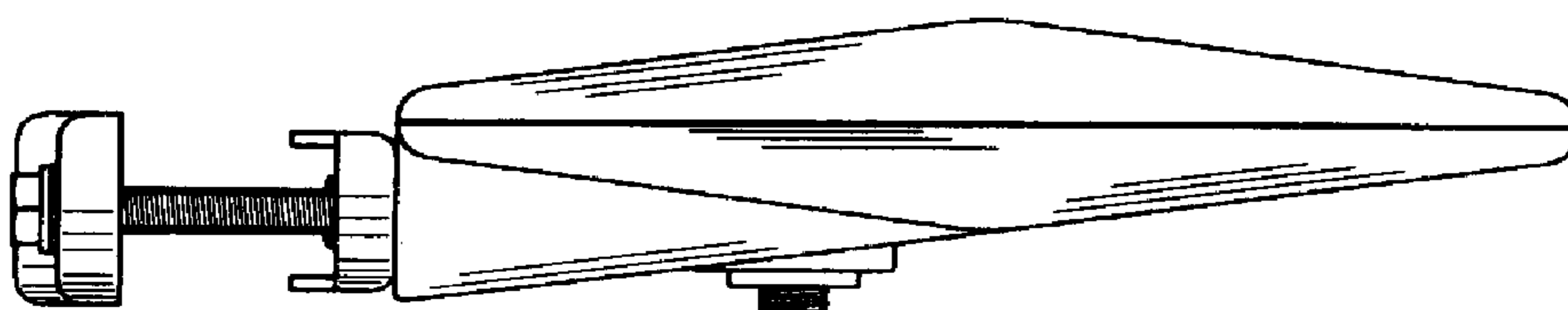


Fig. 7

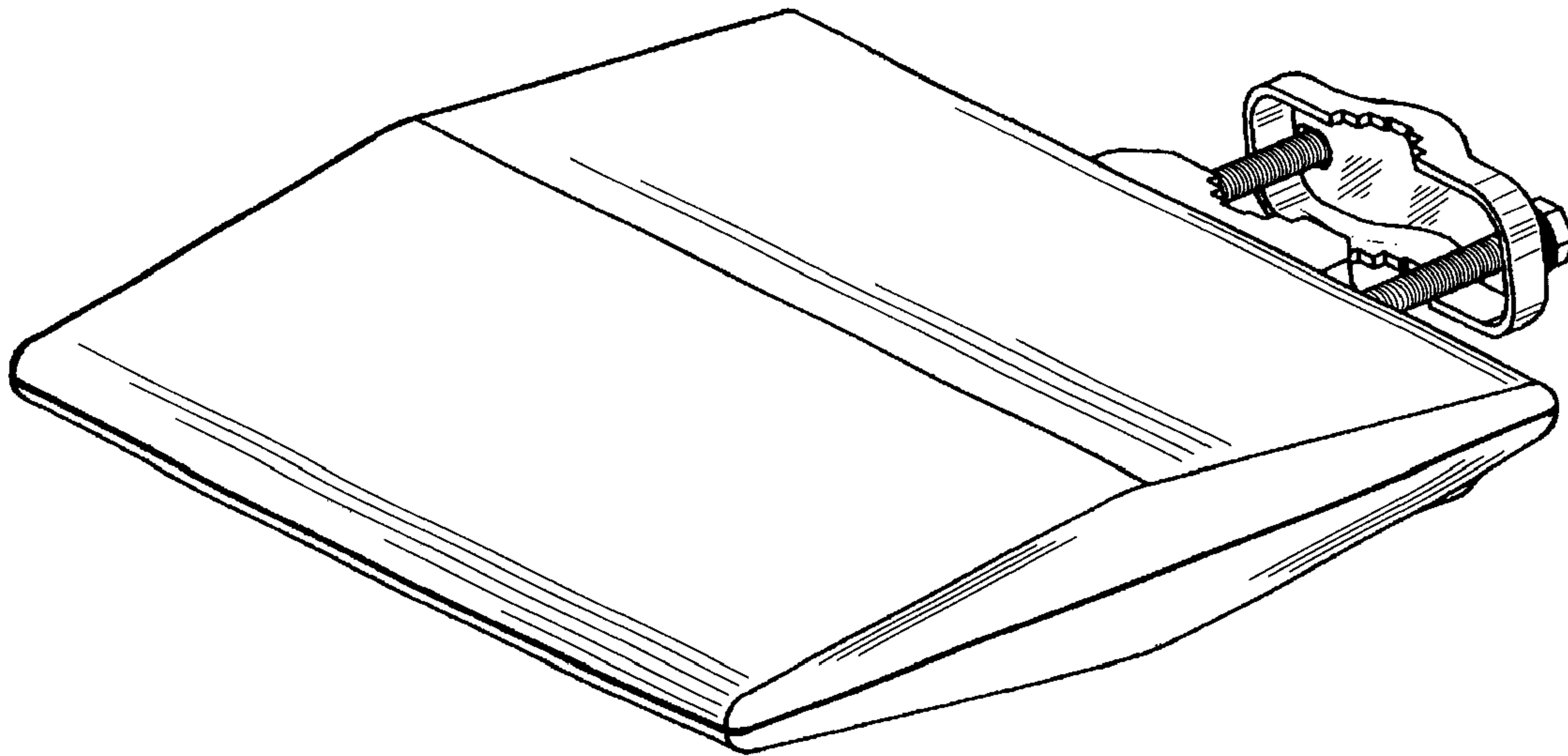


Fig. 8

