



US00D533544S

(12) **United States Design Patent**
Lai

(10) **Patent No.:** **US D533,544 S**

(45) **Date of Patent:** **** Dec. 12, 2006**

(54) **ANTENNA COVER**

(75) **Inventor:** **Chin-Te Lai**, Tu-Chen (TW)

(73) **Assignee:** **Hon Hai Precision Ind. Co., Ltd.**,
Taipei Hsien (TW)

(**) **Term:** **14 Years**

(21) **Appl. No.:** **29/232,431**

(22) **Filed:** **Jun. 17, 2005**

(30) **Foreign Application Priority Data**

Dec. 17, 2004 (TW) 93307819

(51) **LOC (8) Cl.** **14-03**

(52) **U.S. Cl.** **D14/230**

(58) **Field of Classification Search** D14/137,
D14/138, 230-238, 299, 358; D12/42, 43;
343/700 R-705, 871-908, 795, 840, 711-713,
343/819, 846; 455/90.2, 90.3, 91, 128, 269,
455/344, 347, 562.1

See application file for complete search history.

(56) **References Cited**

U.S. PATENT DOCUMENTS

D379,356 S * 5/1997 Liu et al. D14/230

D398,610 S * 9/1998 Read D14/230

D398,611 S * 9/1998 Read D14/230

D405,090 S * 2/1999 Guttadauro D14/230

6,289,225 B1 * 9/2001 Rudisill et al. 455/575.7

D471,181 S * 3/2003 Haberstich D14/230

* cited by examiner

Primary Examiner—Robert A. Delehanty

Assistant Examiner—John Windmuller

(74) *Attorney, Agent, or Firm*—Wei Te Chung

(57) **CLAIM**

The ornamental design for an antenna cover, as shown.

DESCRIPTION

FIG. 1 is a front top right perspective view of an antenna cover showing my new design;

FIG. 2 is a front elevational view thereof;

FIG. 3 is a rear elevational view thereof;

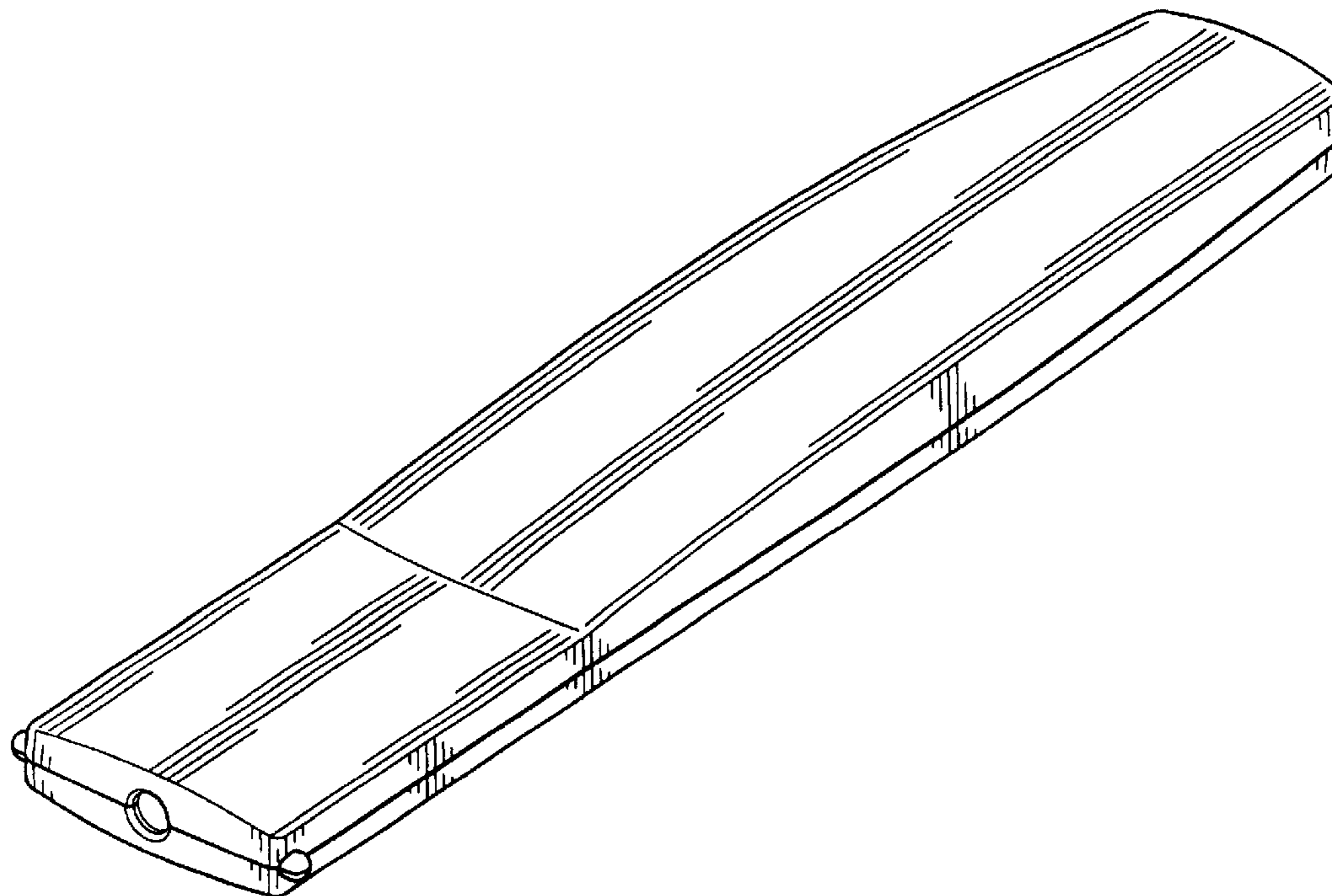
FIG. 4 is a left side elevational view thereof;

FIG. 5 is a right side elevational view thereof;

FIG. 6 is a top plan view thereof; and,

FIG. 7 is a bottom plan view thereof.

1 Claim, 6 Drawing Sheets



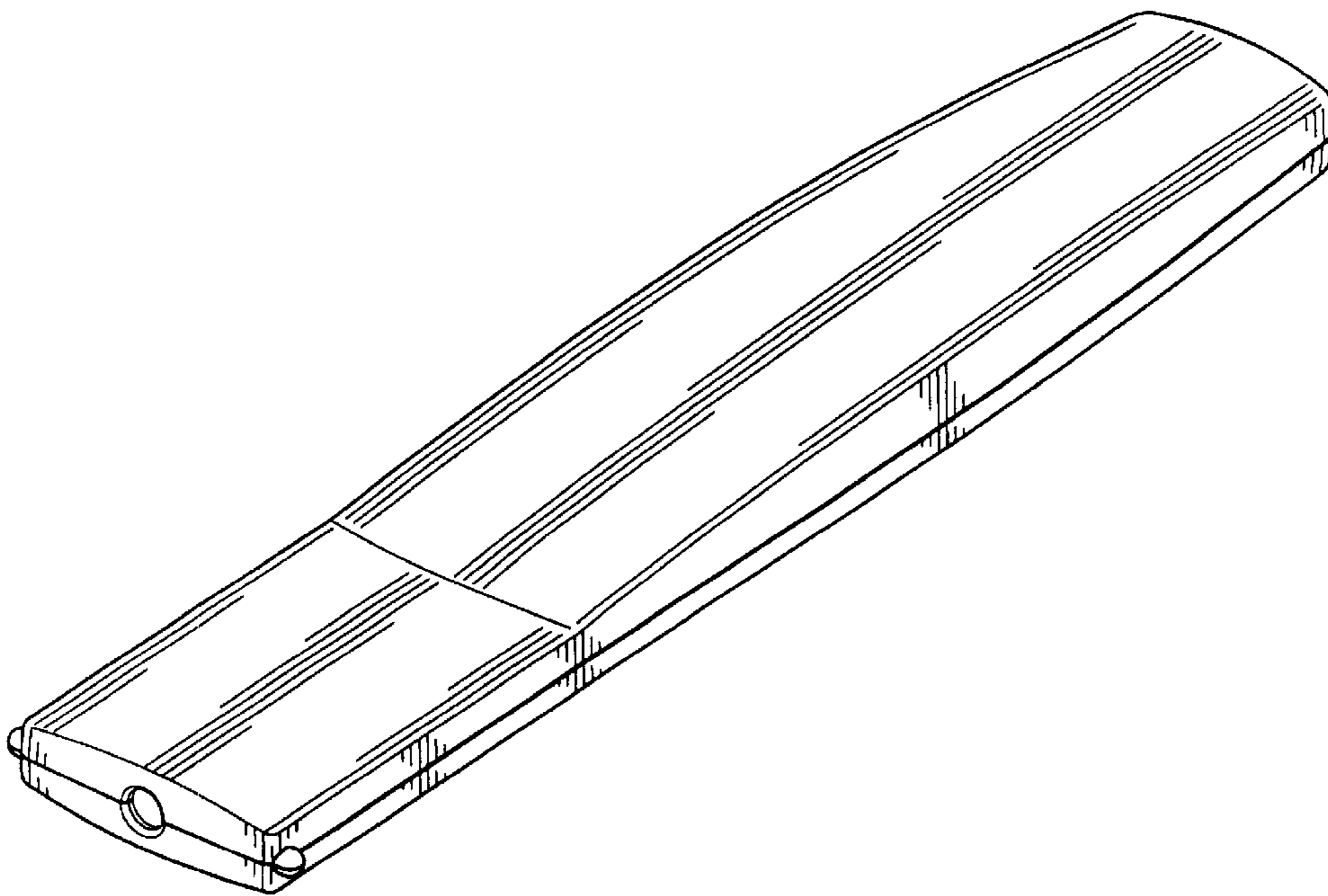


FIG. 1

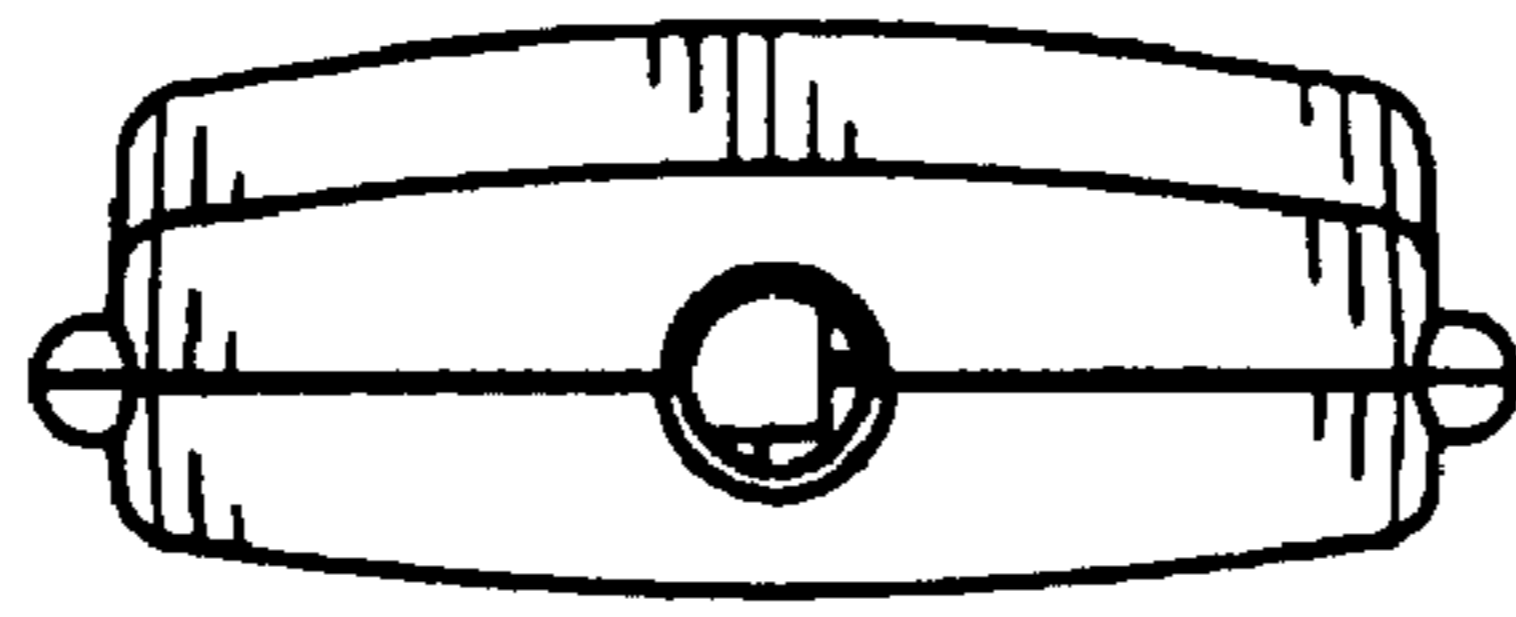


FIG. 2

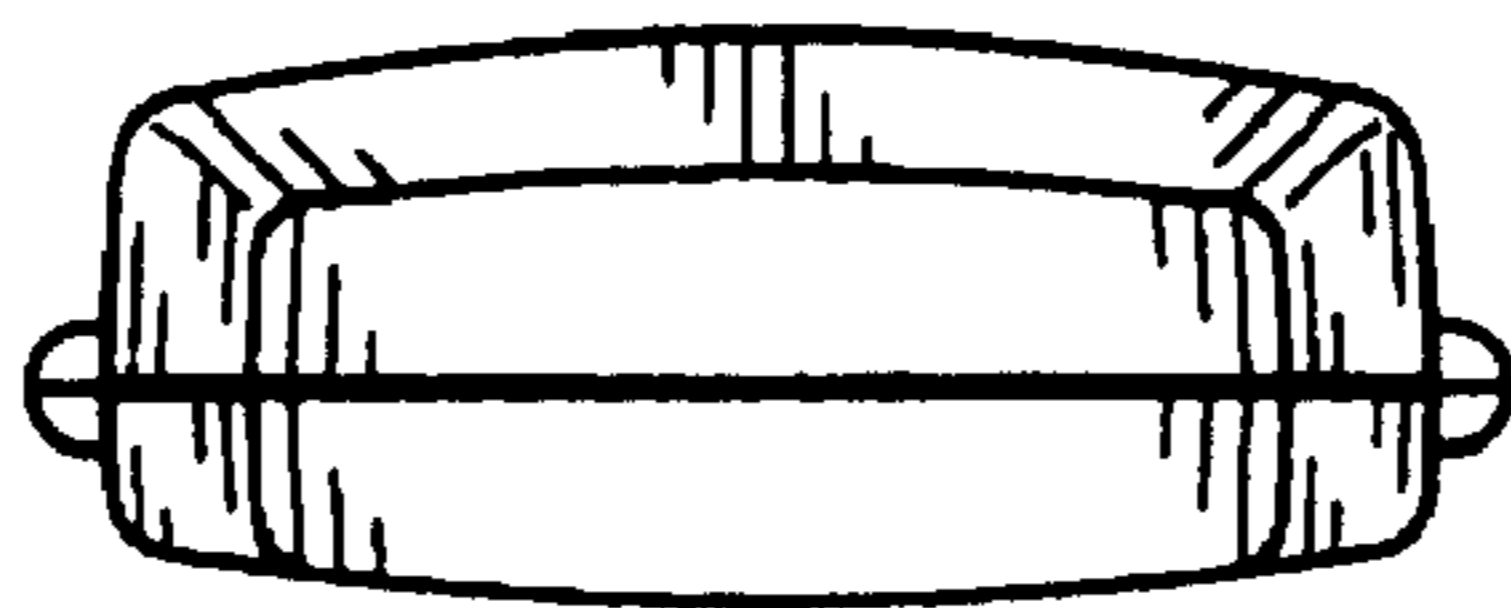


FIG. 3

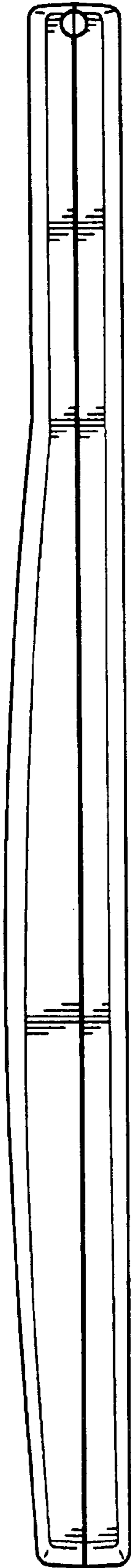


FIG. 4

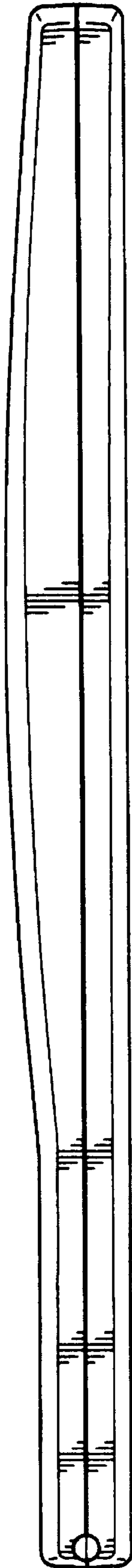


FIG. 5

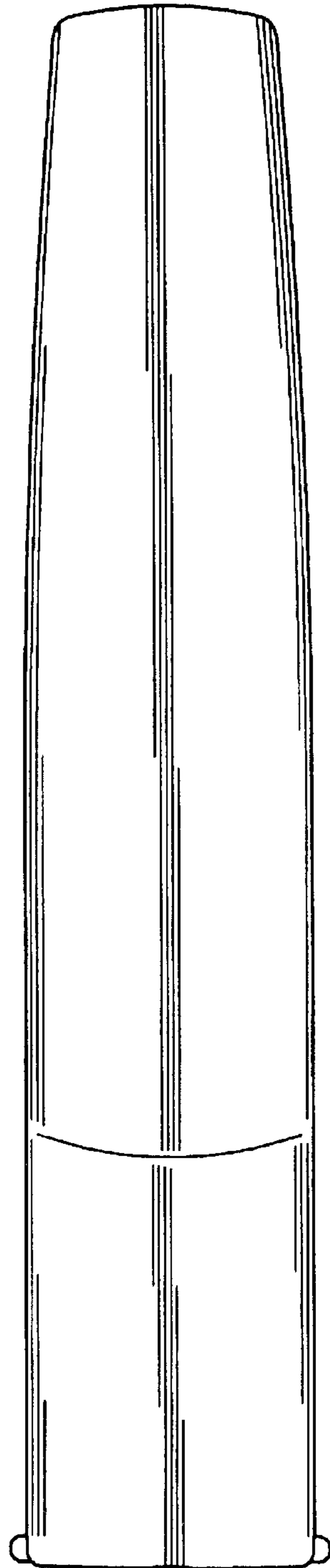


FIG. 6

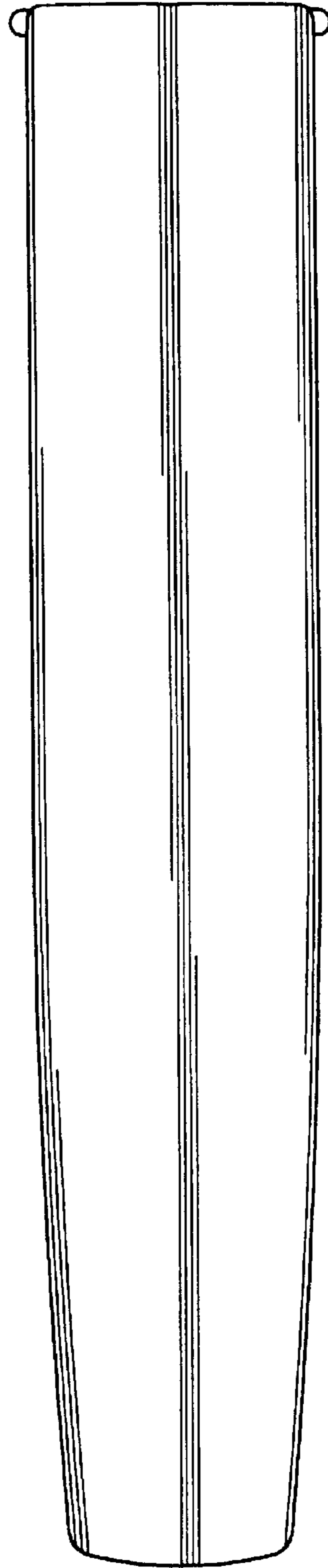


FIG. 7