



US00D533542S

(12) **United States Design Patent**
Suzuki et al.

(10) **Patent No.:** **US D533,542 S**
(45) **Date of Patent:** **** Dec. 12, 2006**

(54) **REMOTE CONTROLLER FOR A CELLULAR PHONE**

D478,576 S * 8/2003 Leong D14/240
D517,052 S * 3/2006 Skulley D14/223

(75) Inventors: **Takeshi Suzuki**, Tokyo (JP); **Yoshitaka Yoshimura**, Tokyo (JP)

FOREIGN PATENT DOCUMENTS

(73) Assignee: **Kabushiki Kaisha Toshiba** (JP)

JP	D794059	8/1990
JP	D838304	5/1992
JP	D870050	6/1993
JP	D909583	10/1994
JP	D939030	11/1995

(**) Term: **14 Years**

* cited by examiner

(21) Appl. No.: **29/232,641**

Primary Examiner—Louis S. Zarfaz
Assistant Examiner—John Windmuller

(22) Filed: **Jun. 23, 2005**

(30) **Foreign Application Priority Data**

(57) **CLAIM**

Mar. 18, 2005 (JP) 2005-008114

The ornamental design for a remote controller for a cellular phone, as shown and described.

(51) **LOC (8) Cl.** **14-03**

(52) **U.S. Cl.** **D14/218**

(58) **Field of Classification Search** D14/174,
D14/217, 218, 137-139, 151, 191-193, 299,
D14/167, 168; D13/168, 162-164; D21/512-517,
D21/566; D10/104, 106; 455/352-355, 151.1-151.4,
455/128, 347, 90.3; 348/114, 734
See application file for complete search history.

DESCRIPTION

FIG. 1 is a front, top and right side perspective view of a remote controller for a cellular phone, showing our new design;

FIG. 2 is a top plan view thereof;

FIG. 3 is a front elevational view thereof;

FIG. 4 is a right side elevational view thereof;

FIG. 5 is a rear elevational view thereof;

FIG. 6 is a left side elevational view thereof; and,

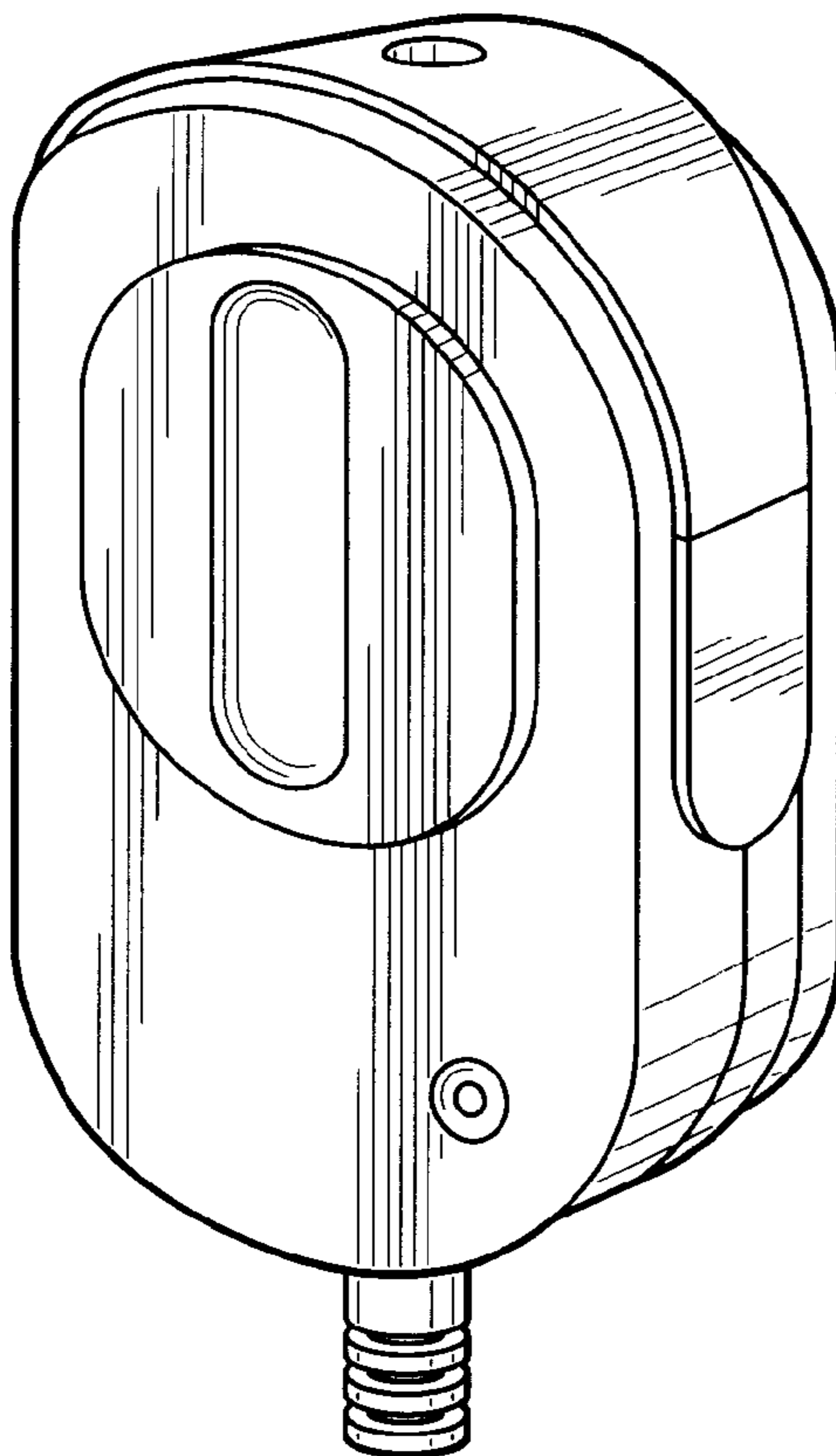
FIG. 7 is a bottom plan view thereof.

(56) **References Cited**

U.S. PATENT DOCUMENTS

D418,837 S 1/2000 Ishii
D431,240 S 9/2000 Deguchi

1 Claim, 2 Drawing Sheets



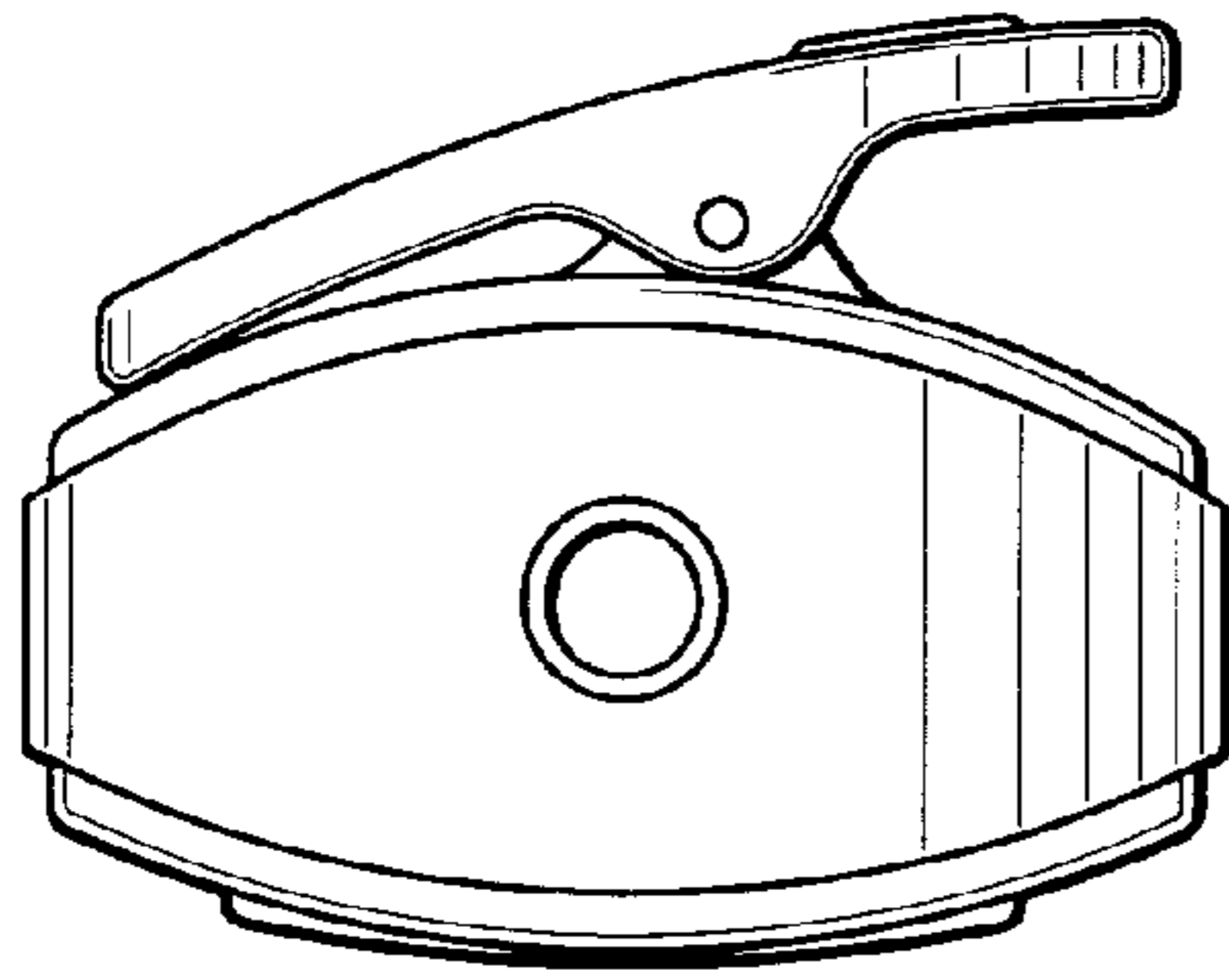


FIG. 2

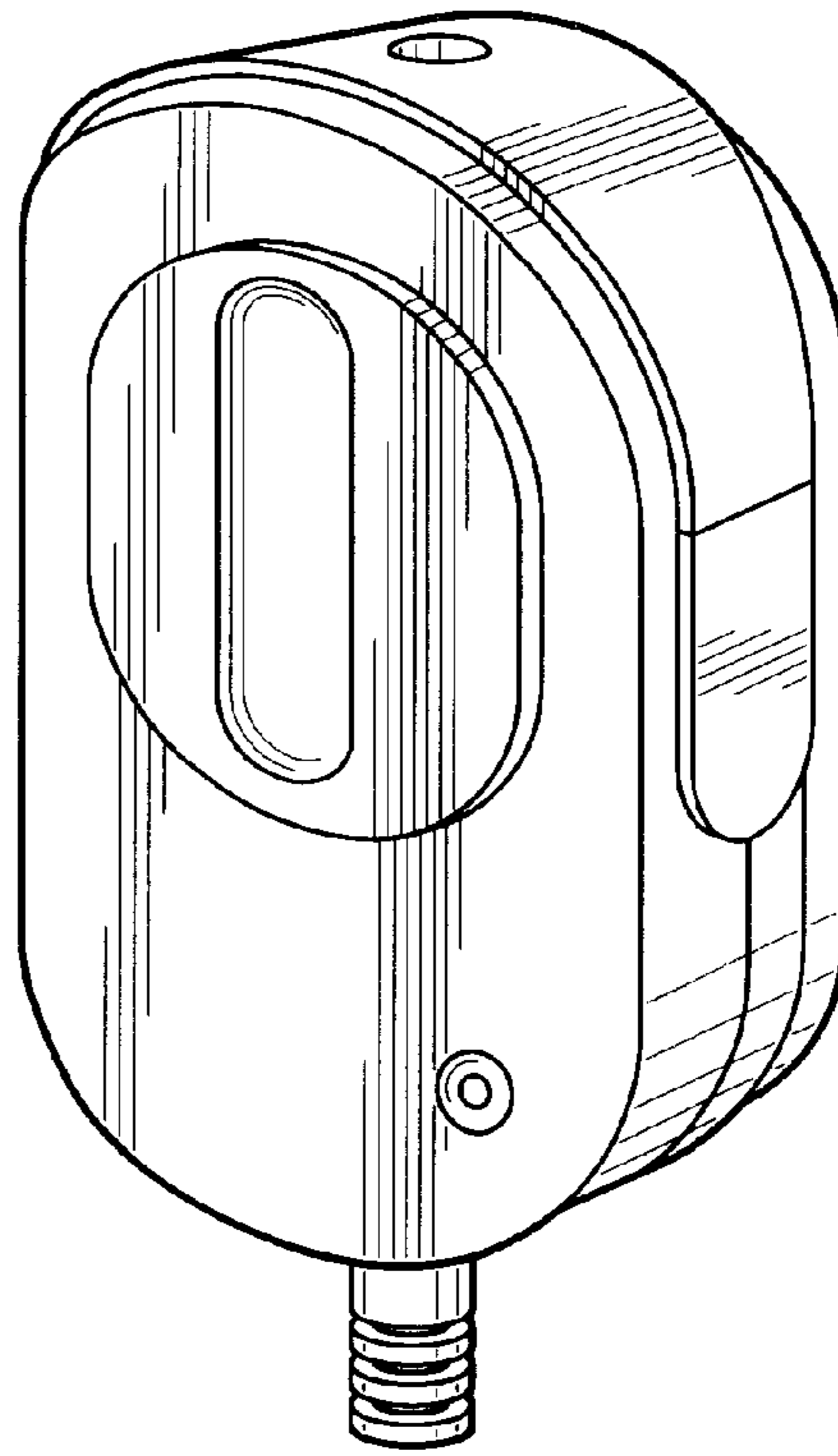


FIG. 1

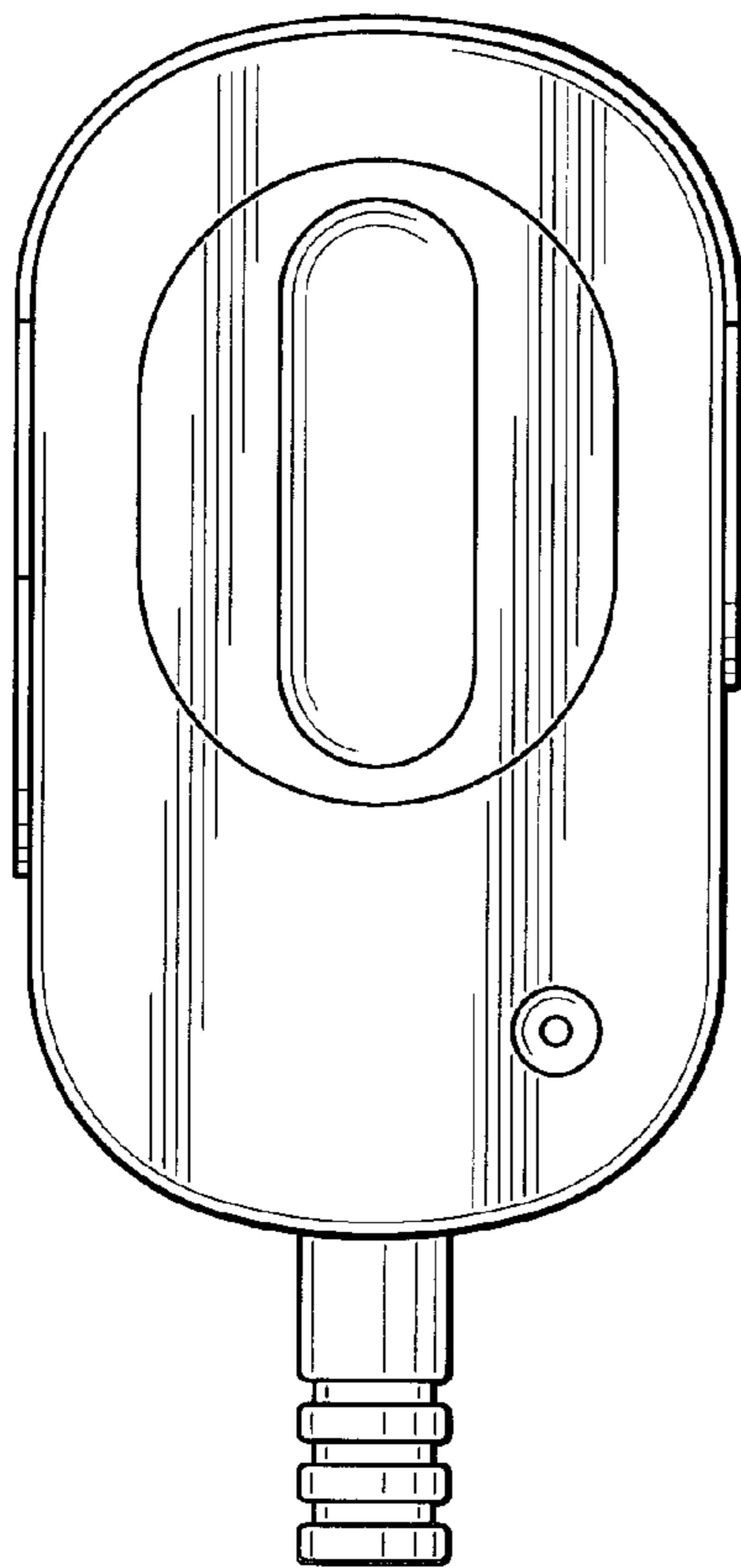


FIG. 3

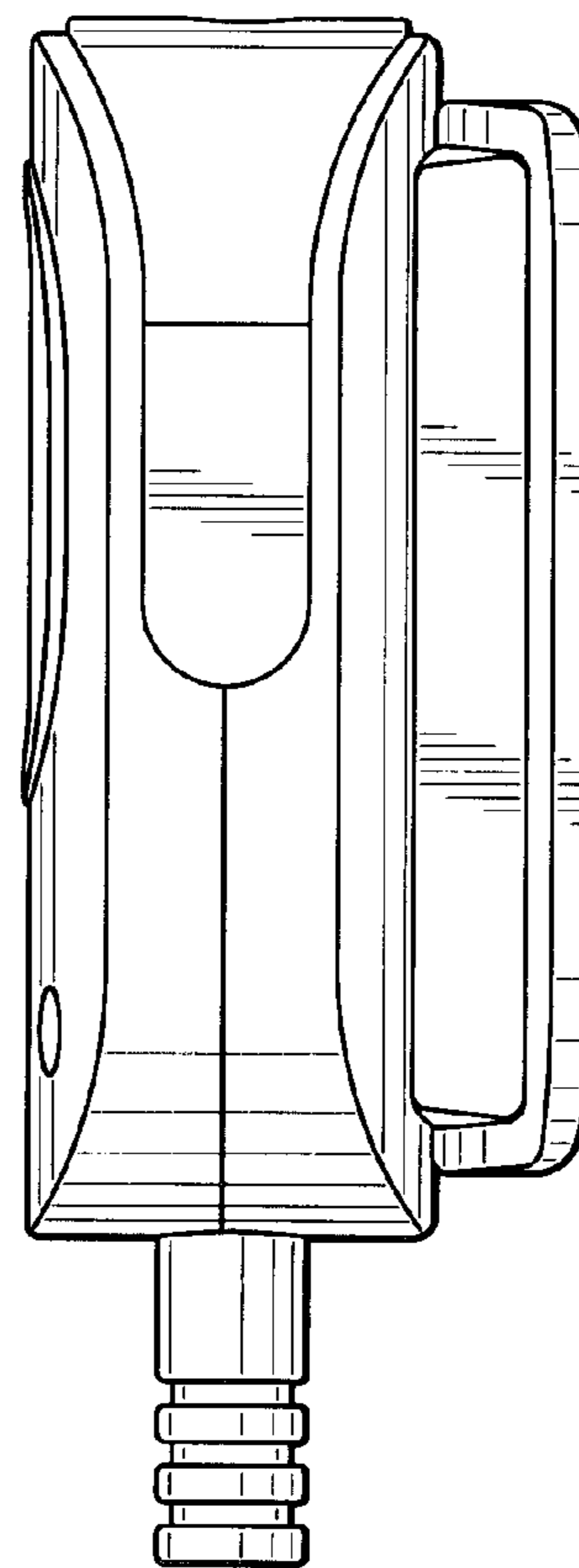


FIG. 4

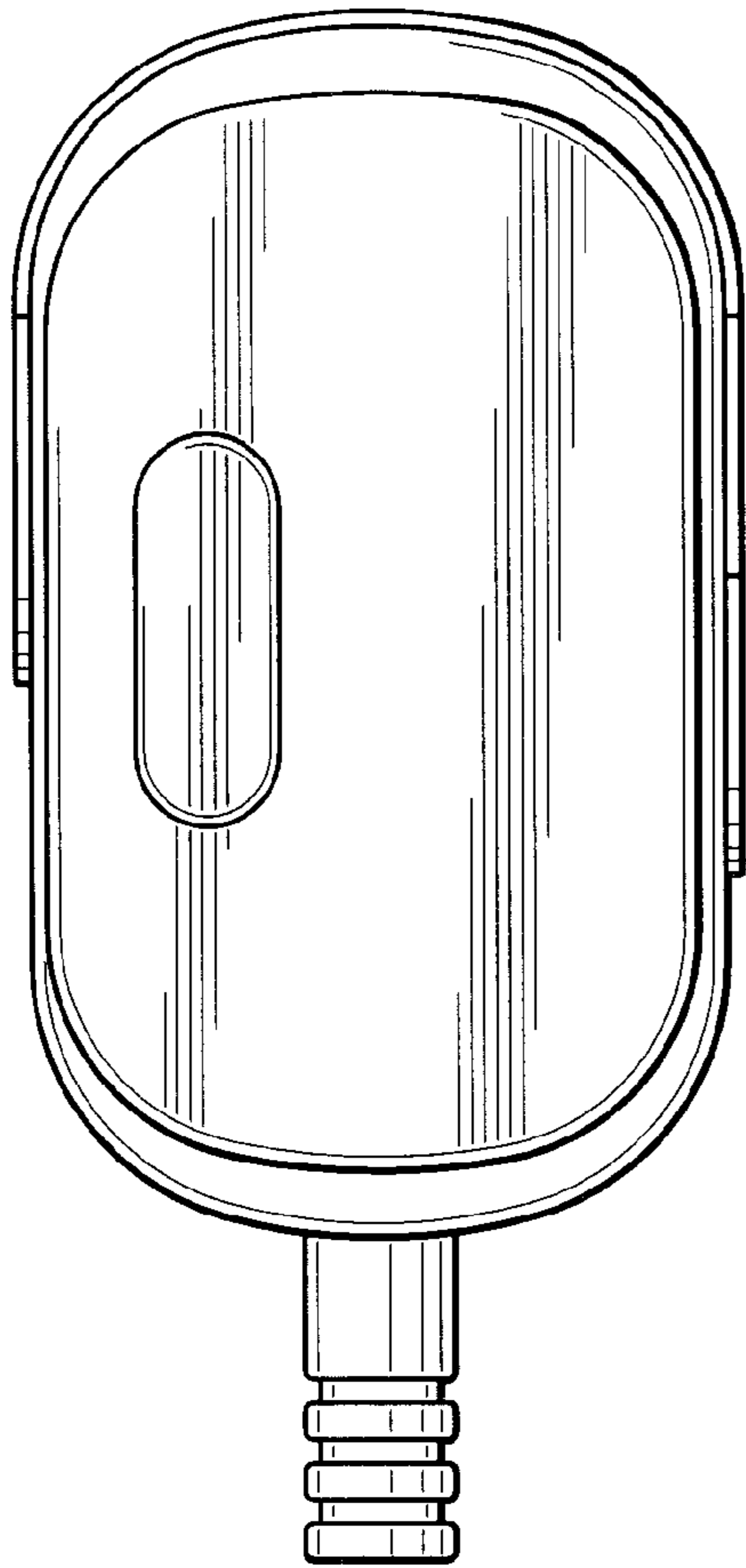


FIG. 5

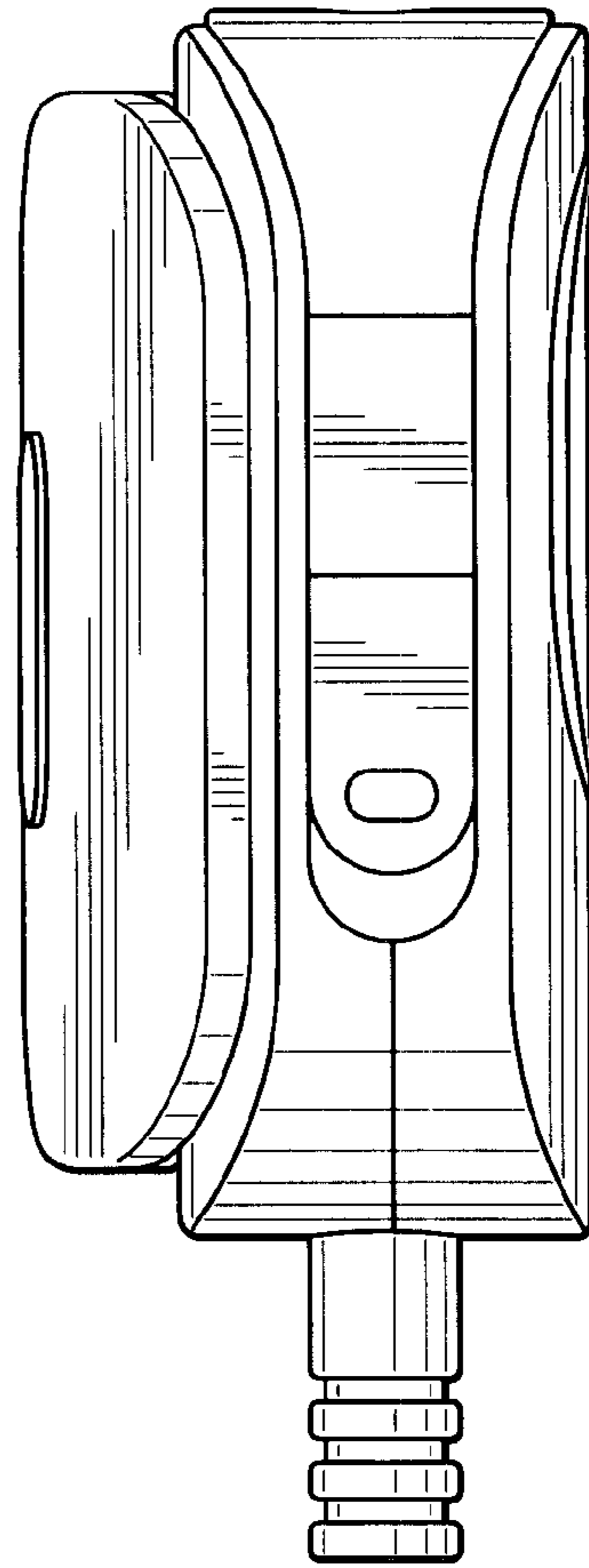


FIG. 6

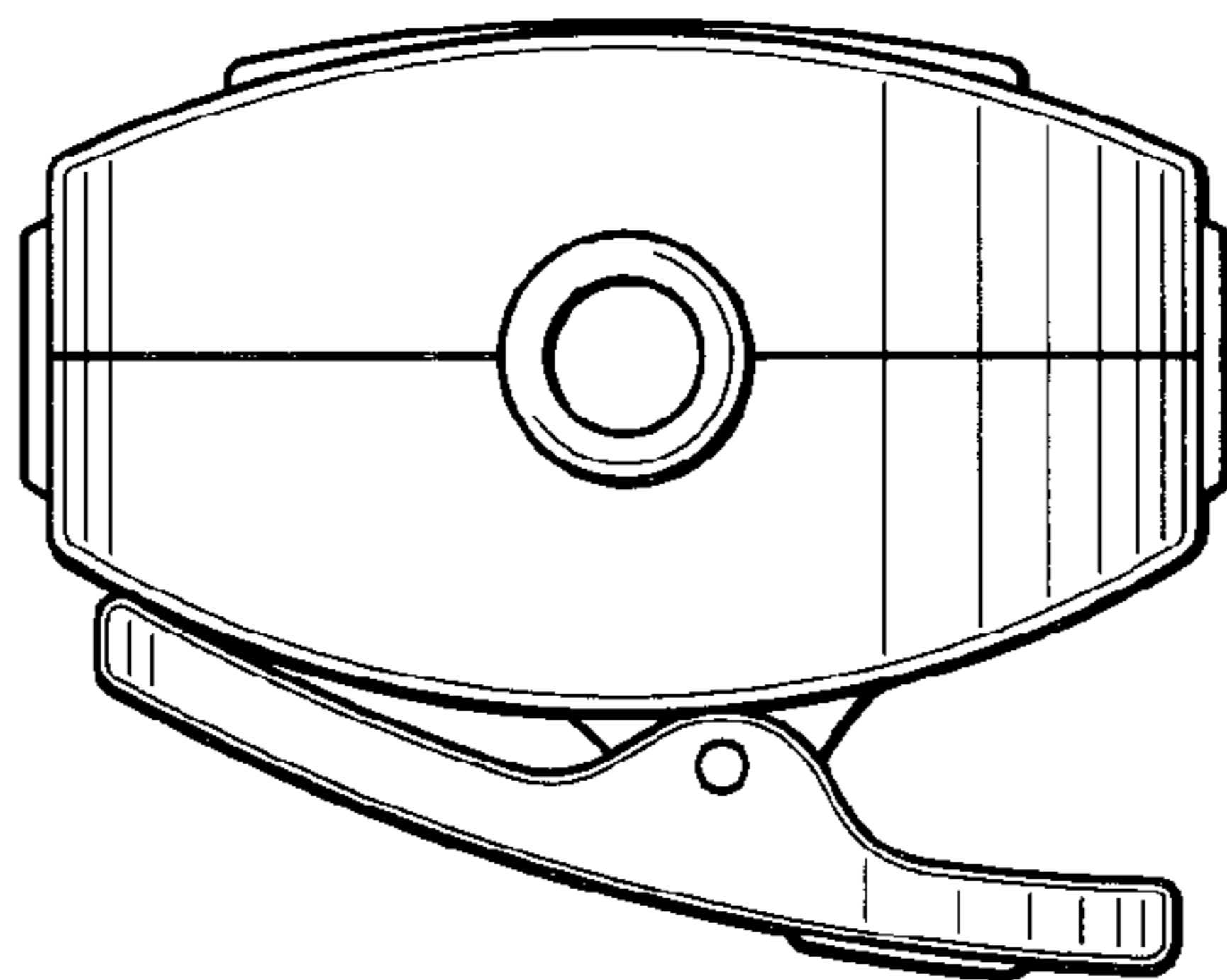


FIG. 7