



US00D533541S

(12) **United States Design Patent**
Motoishi

(10) **Patent No.:** **US D533,541 S**

(45) **Date of Patent:** **** Dec. 12, 2006**

(54) **SPEAKER BOX**

D507,259 S * 7/2005 Taylor D14/215

(75) Inventor: **Takuya Motoishi**, Tokyo (JP)

(73) Assignee: **Sony Corporation**, Tokyo (JP)

(**) Term: **14 Years**

(21) Appl. No.: **29/235,029**

(22) Filed: **Jul. 27, 2005**

(30) **Foreign Application Priority Data**

May 17, 2005 (JP) D2005-014013

(51) **LOC (8) Cl.** **14-01**

(52) **U.S. Cl.** **D14/215**

(58) **Field of Classification Search** D14/204,
D14/209-216, 356; 181/143-144, 147-148,
181/150, 157, 198-199, 151, 153; 381/300-302,
381/306, 333, 345, 361-364, 386-388, 332,
381/336

See application file for complete search history.

(56) **References Cited**

U.S. PATENT DOCUMENTS

3,194,340 A * 7/1965 Kuwayama 381/346
D384,668 S 10/1997 Yoneda
D417,874 S 12/1999 Suzuki
D437,307 S 2/2001 Tejima
D470,473 S 2/2003 Kobayashi
D470,474 S 2/2003 Kobayashi
D500,305 S * 12/2004 Lin et al. D14/215
D501,199 S * 1/2005 Wang D14/214

OTHER PUBLICATIONS

Web page "ACTIVE SQ-38HT," <http://www.pixmania.co.uk/uk/uk/77920/art/kenwood/active-sw-38ht-subwoofer.html>, 1 sheet, Kenwood (May 2005).

Web page "I-Trigue L3500," <http://www.creative.com/products/product.asp?category=4&subcatagory=27&product...>, 1 sheet, Creative (Apr. 2005).

Web page "I-Trigue 3200," <http://www.creative.com/products/product.asp?category=4&subcategory=27&product...>, 1 sheet, Creative (Apr. 2005).

* cited by examiner

Primary Examiner—Nanda Bondade

(74) *Attorney, Agent, or Firm*—Rader, Fishman & Grauer PLLC

(57) **CLAIM**

The ornamental design for a speaker box, as shown.

DESCRIPTION

FIG. 1 is a perspective view of a speaker box showing my new design;

FIG. 2 is a front elevational view thereof;

FIG. 3 is a rear elevational view thereof;

FIG. 4 is a left side elevational view thereof;

FIG. 5 is a right side elevational view thereof;

FIG. 6 is a top plan view thereof; and,

FIG. 7 is a bottom plan view thereof.

1 Claim, 7 Drawing Sheets

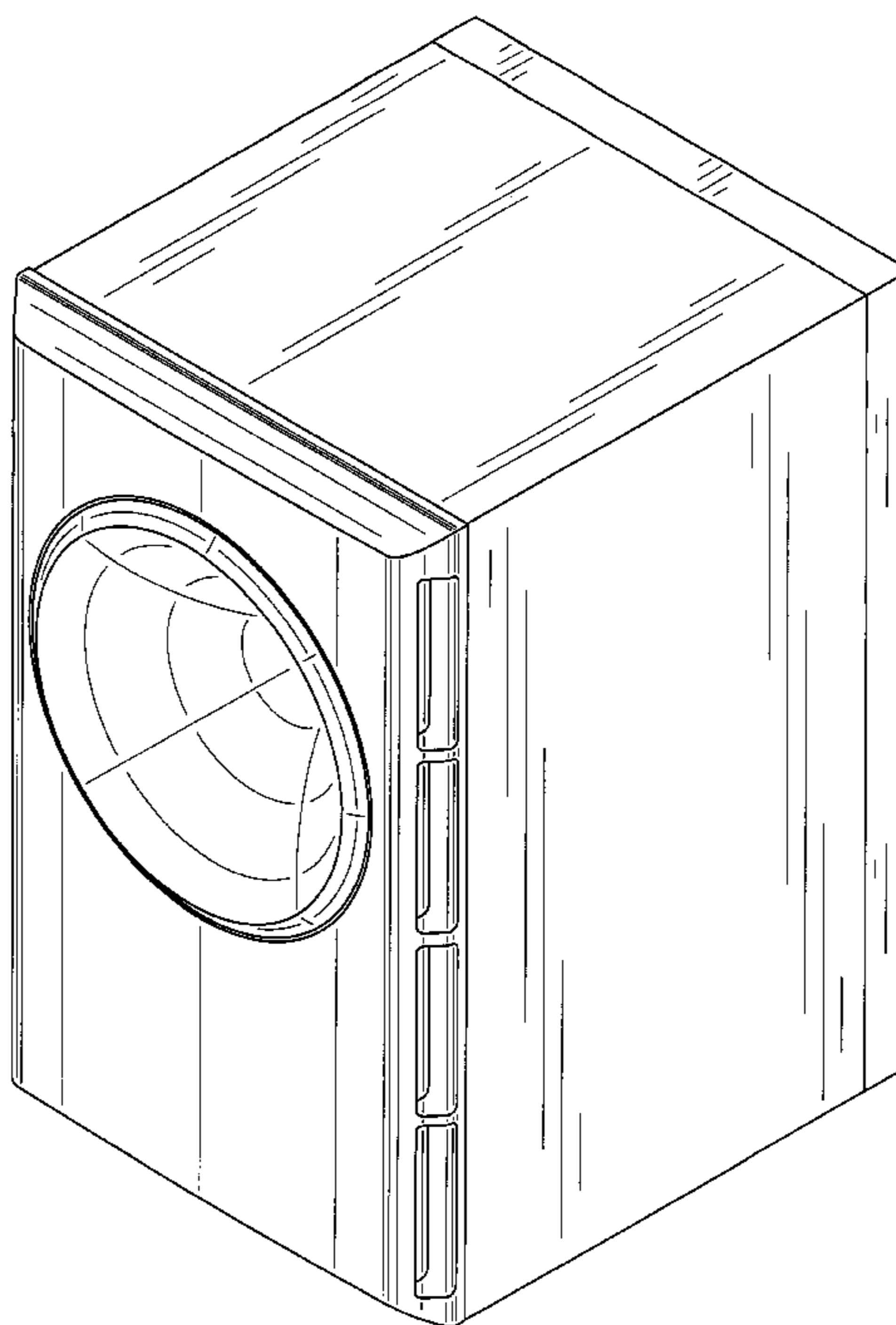


Fig. 1

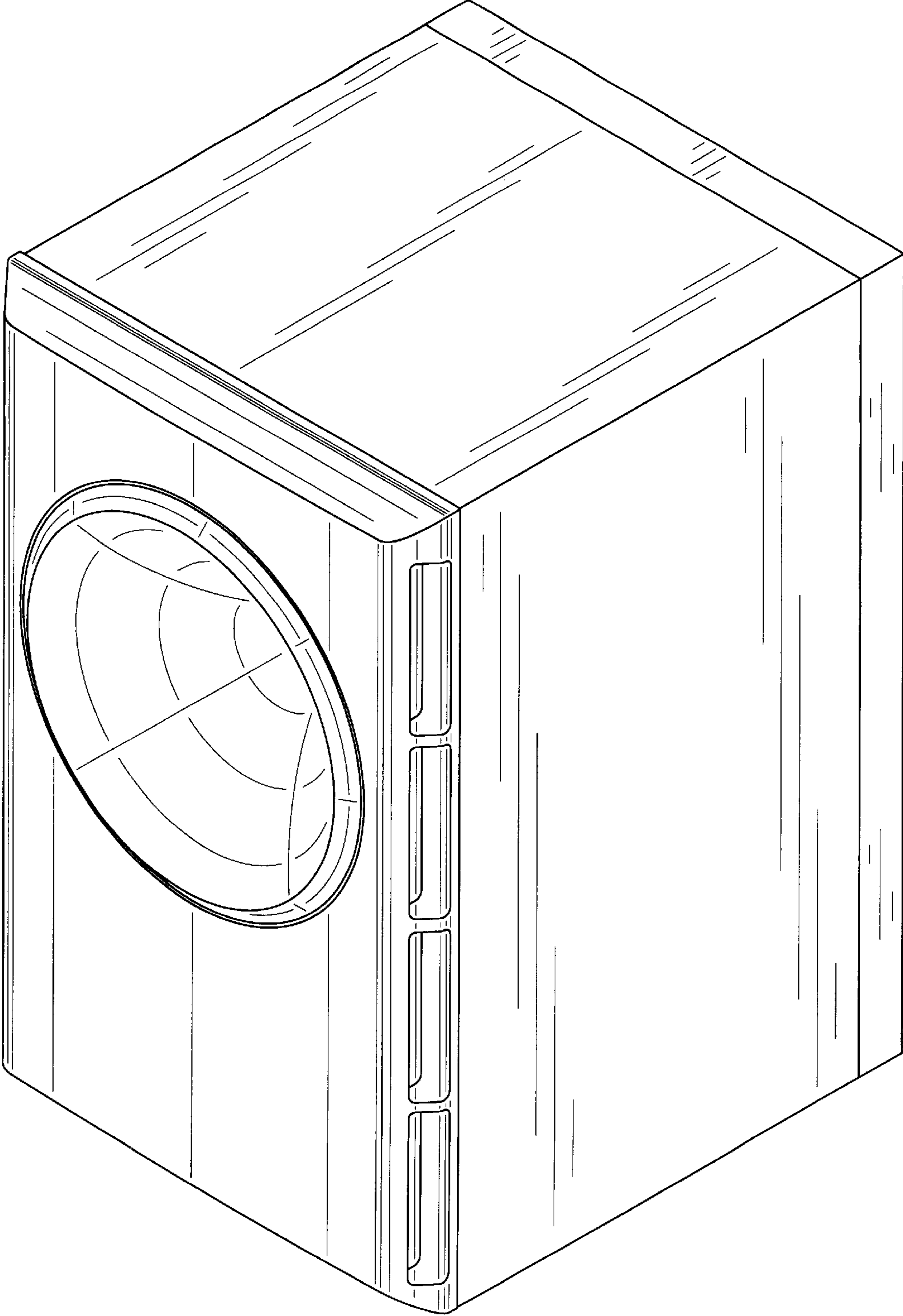


Fig.2

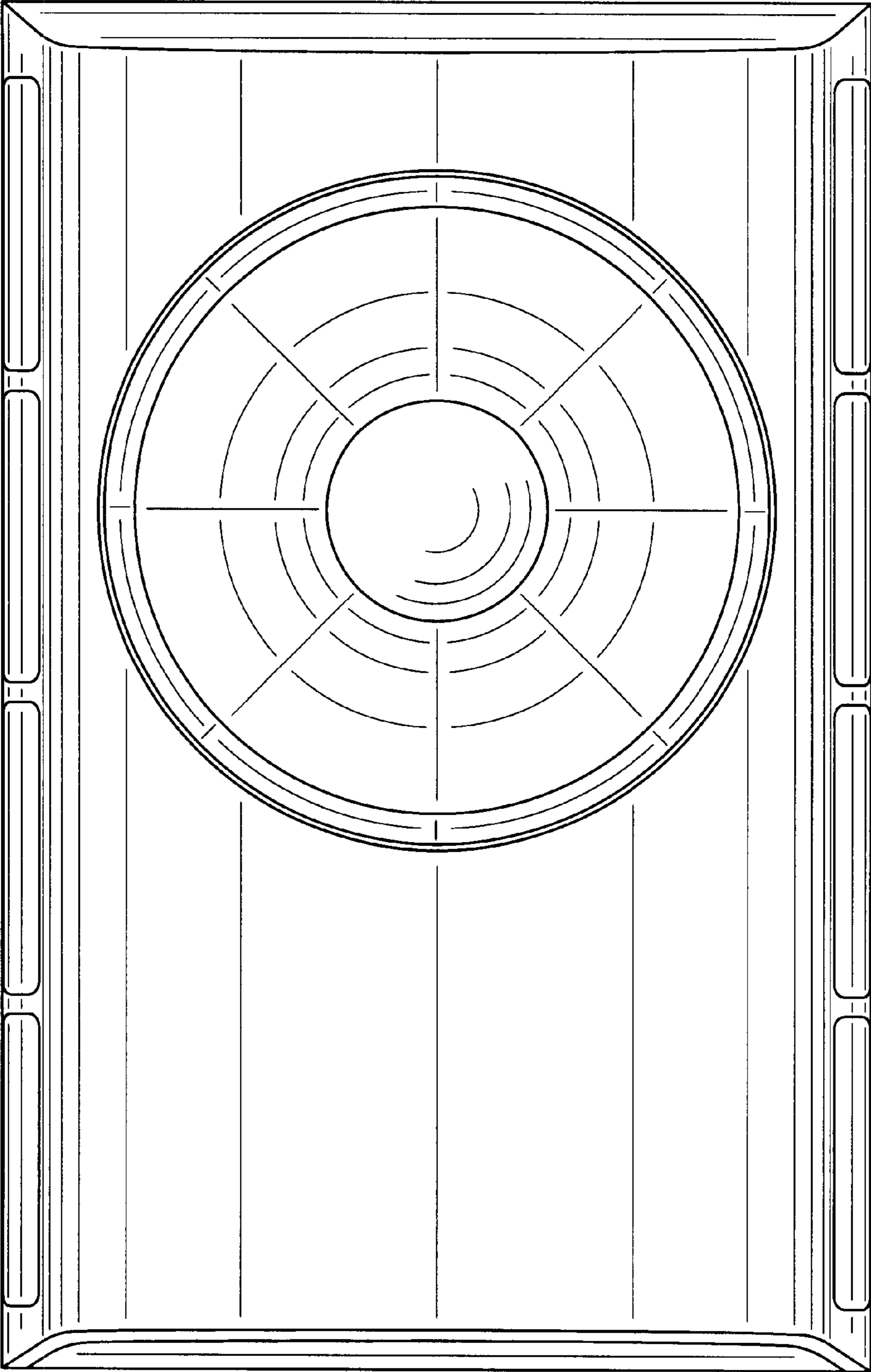


Fig.3

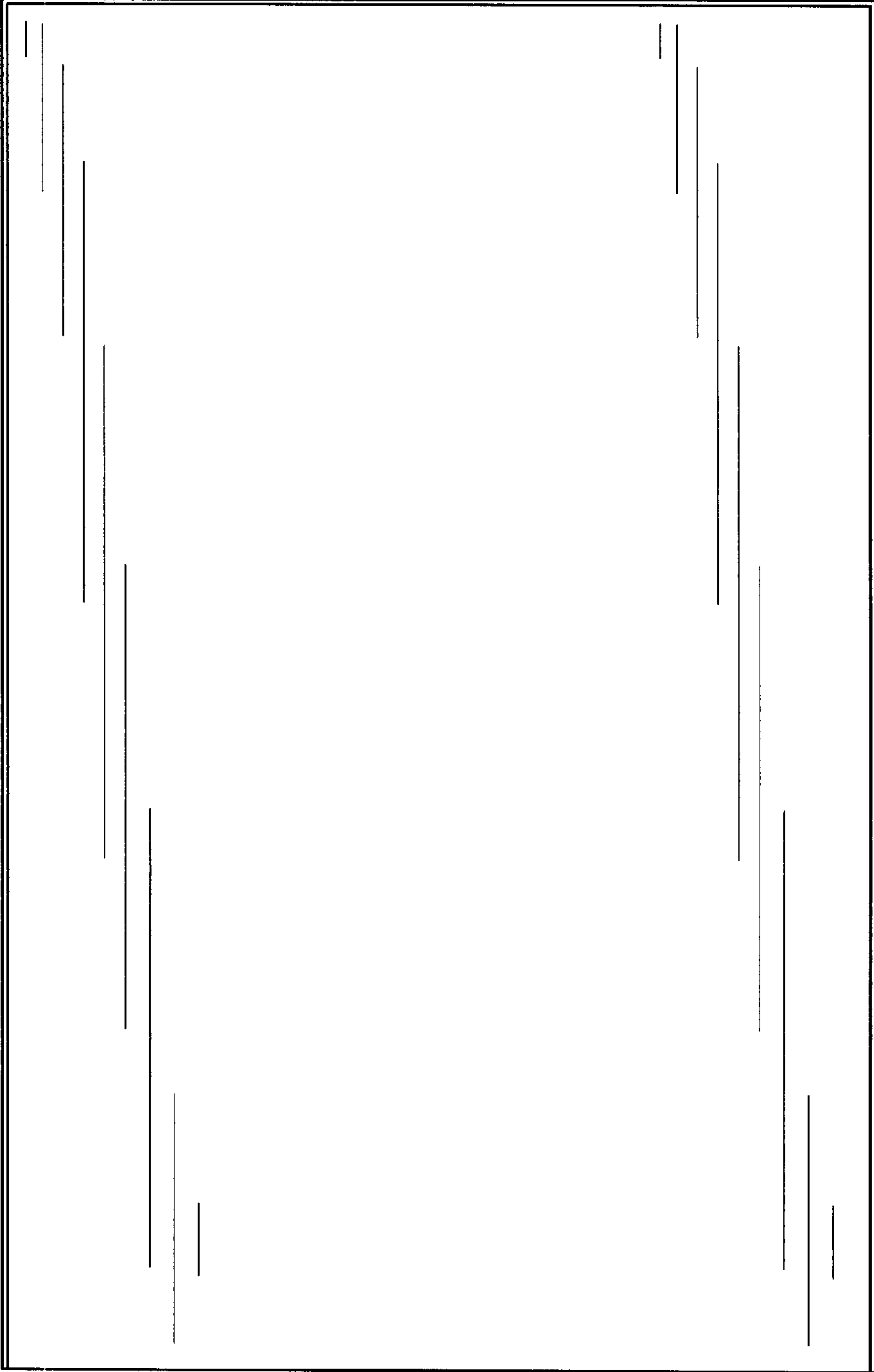


Fig.4

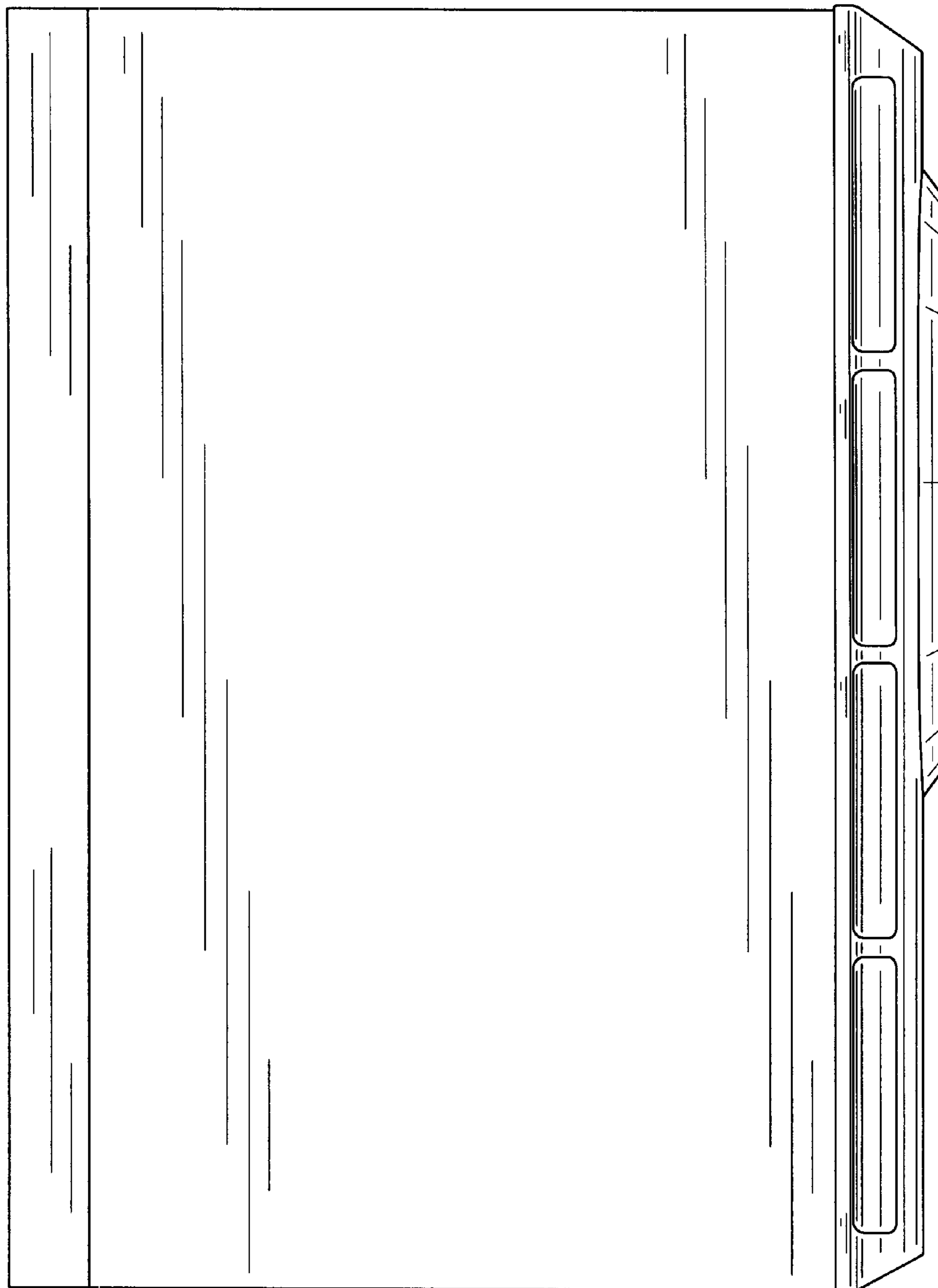


Fig.5

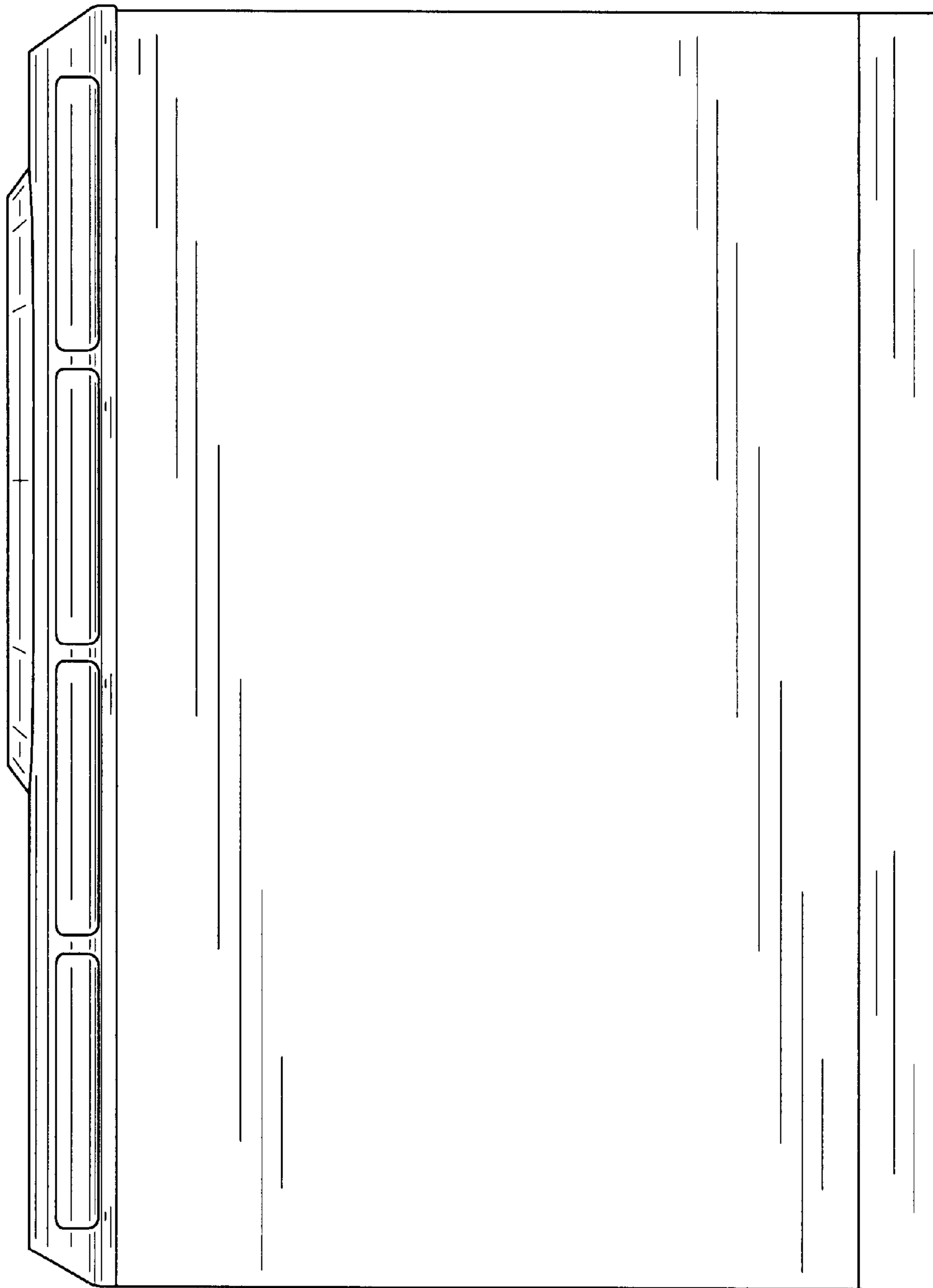


Fig.6

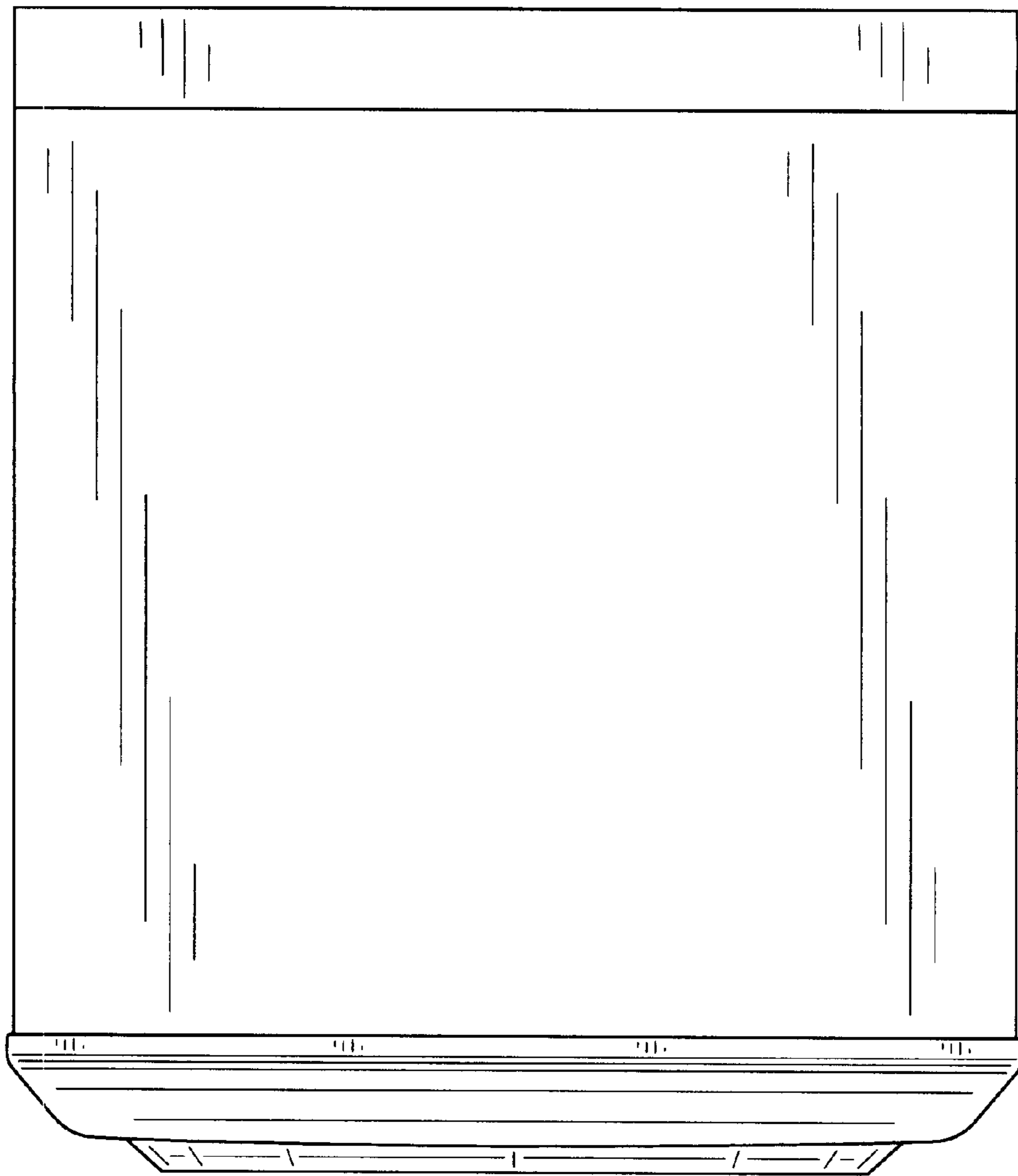


Fig.7

