



US00D533540S

(12) **United States Design Patent**
Murray

(10) **Patent No.:** **US D533,540 S**

(45) **Date of Patent:** **** *Dec. 12, 2006**

(54) **HEADSET**

(75) **Inventor:** **Joshua Murray**, Malmo (SE)

(73) **Assignee:** **Sony Ericsson Mobile Communications AB**, Lund (SE)

(*) **Notice:** This patent is subject to a terminal disclaimer.

(**) **Term:** **14 Years**

(21) **Appl. No.:** **29/234,849**

(22) **Filed:** **Jul. 25, 2005**

(30) **Foreign Application Priority Data**

Feb. 3, 2005 (EM) 000290739-0001

(51) **LOC (8) Cl.** **14-01**

(52) **U.S. Cl.** **D14/205**

(58) **Field of Classification Search** D14/188,
D14/192, 205, 206, 223; D24/174; 379/430,
379/446; 381/374, 376, 377, 378, 381, 330;
181/129-130

See application file for complete search history.

(56) **References Cited**

U.S. PATENT DOCUMENTS

D471,889 S	*	3/2003	Rath et al.	D14/205
D508,485 S	*	8/2005	Katsumata	D14/223
D512,991 S	*	12/2005	Yano	D14/223
D514,549 S	*	2/2006	Rath et al.	D14/223

* cited by examiner

Primary Examiner—Paula A. Greene

(74) *Attorney, Agent, or Firm*—Albihns Stockholm AB

(57) **CLAIM**

The ornamental design for a headset, as shown.

DESCRIPTION

FIG. 1 is a front view of a headset according to my new design,

FIG. 2 is a right side view thereof;

FIG. 3 is a left side view thereof;

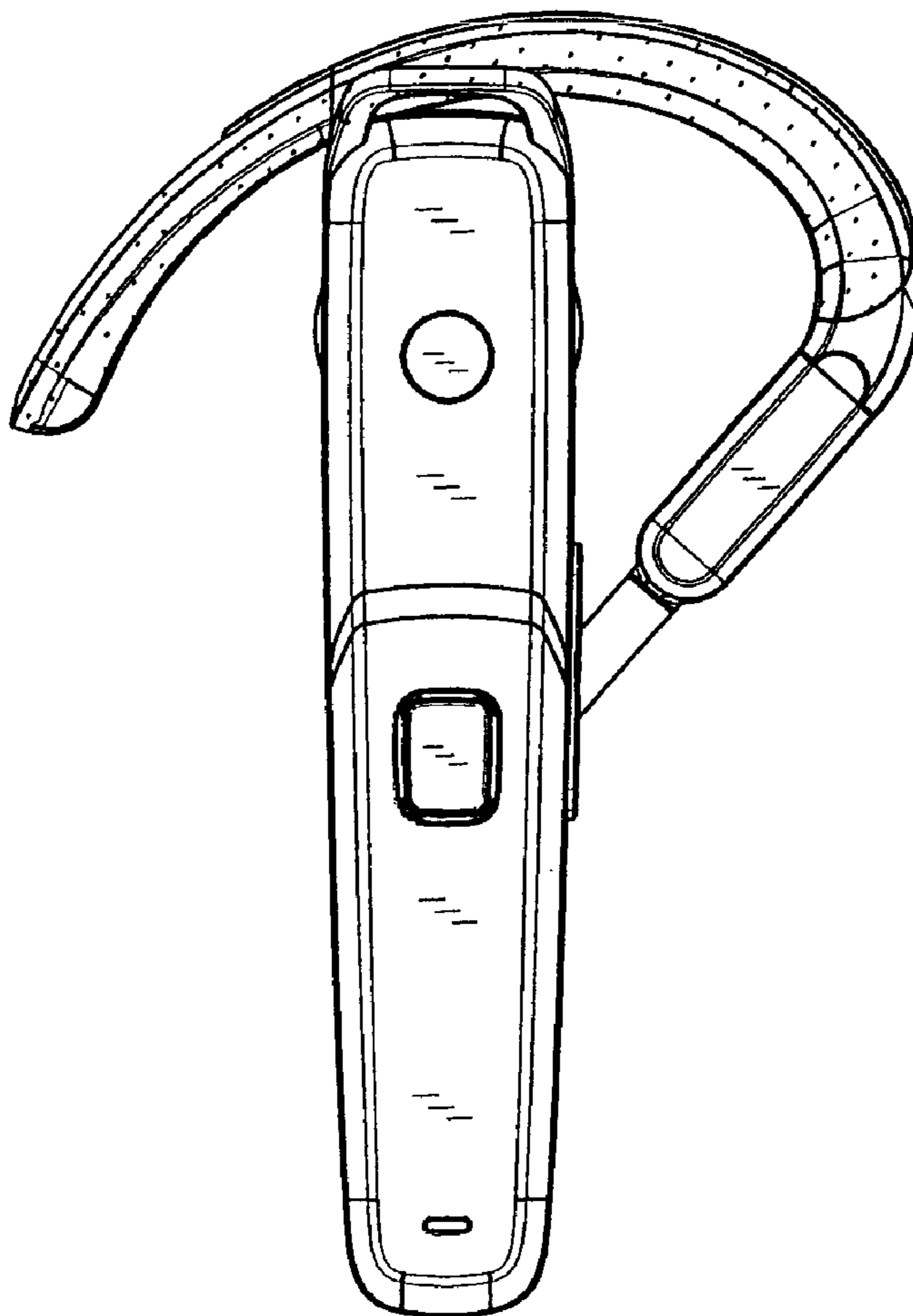
FIG. 4 is a bottom view thereof;

FIG. 5 is a top view thereof;

FIG. 6 is a rear view thereof; and,

FIG. 7 is an upper right perspective view thereof.

1 Claim, 1 Drawing Sheet



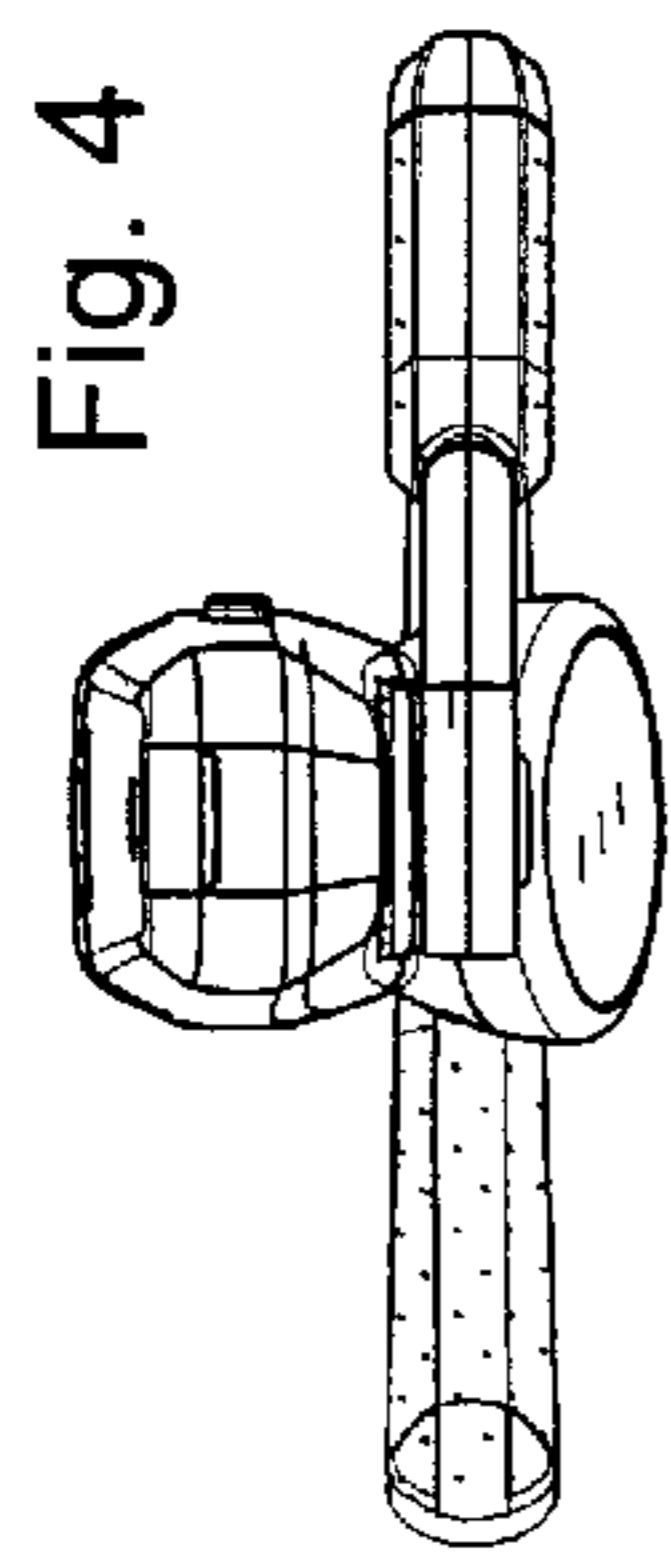


Fig. 4

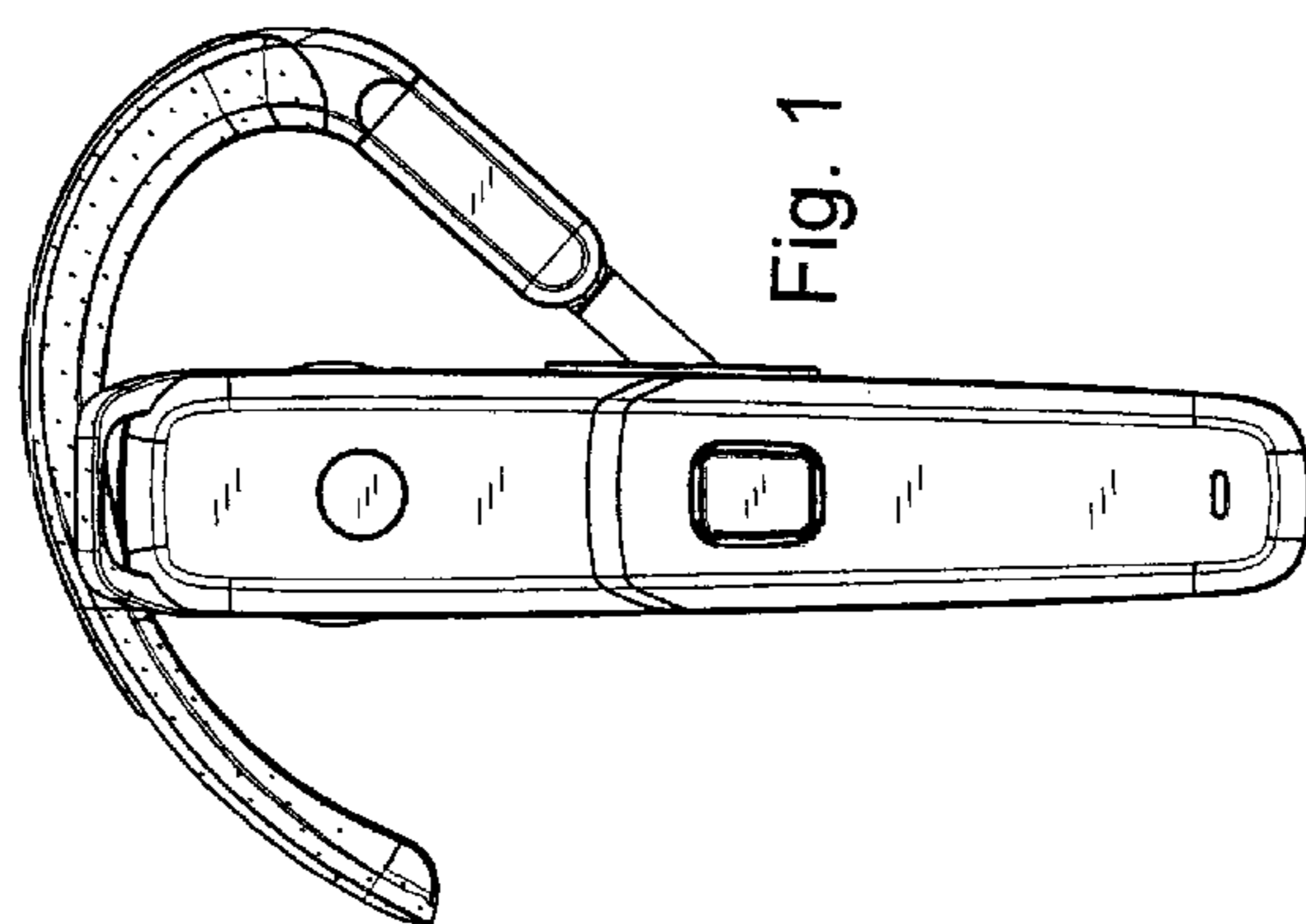


Fig. 1

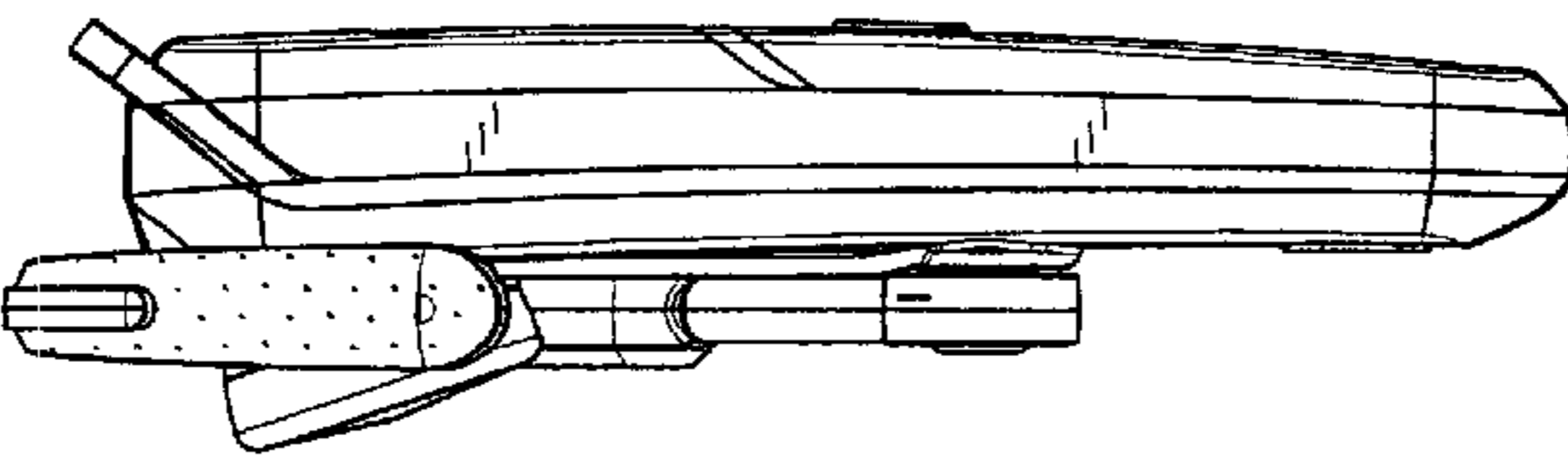


Fig. 3

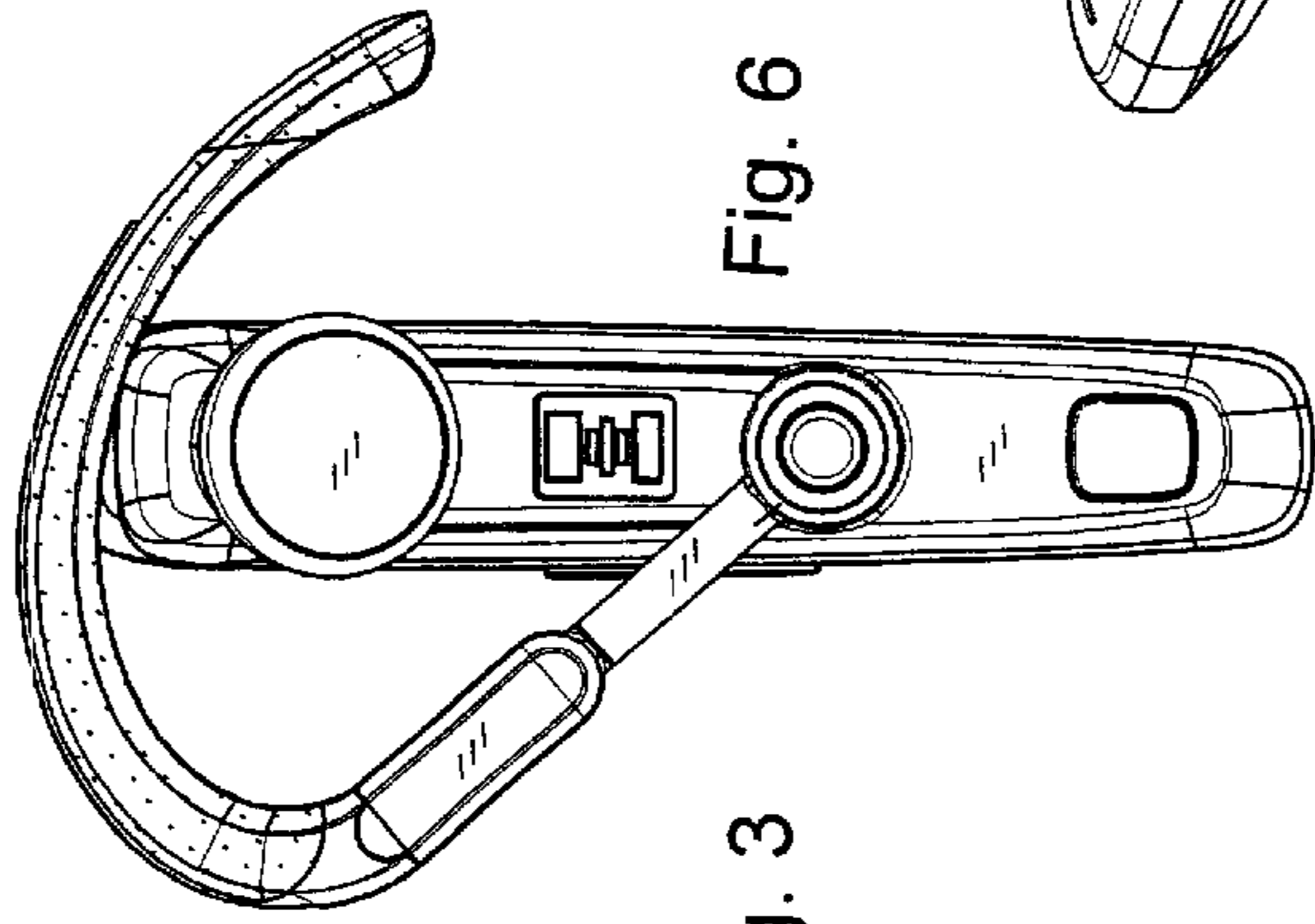


Fig. 6

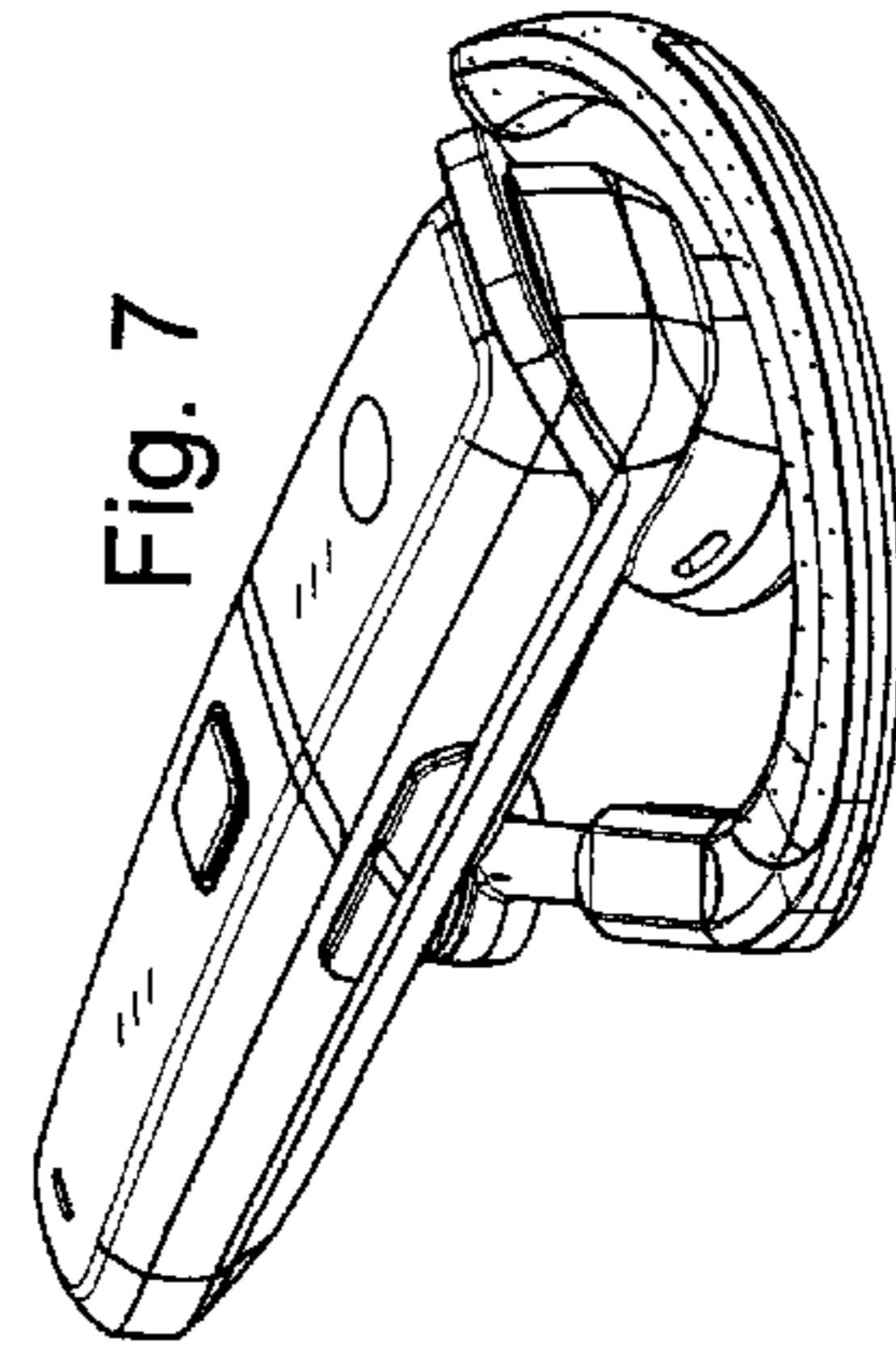


Fig. 7

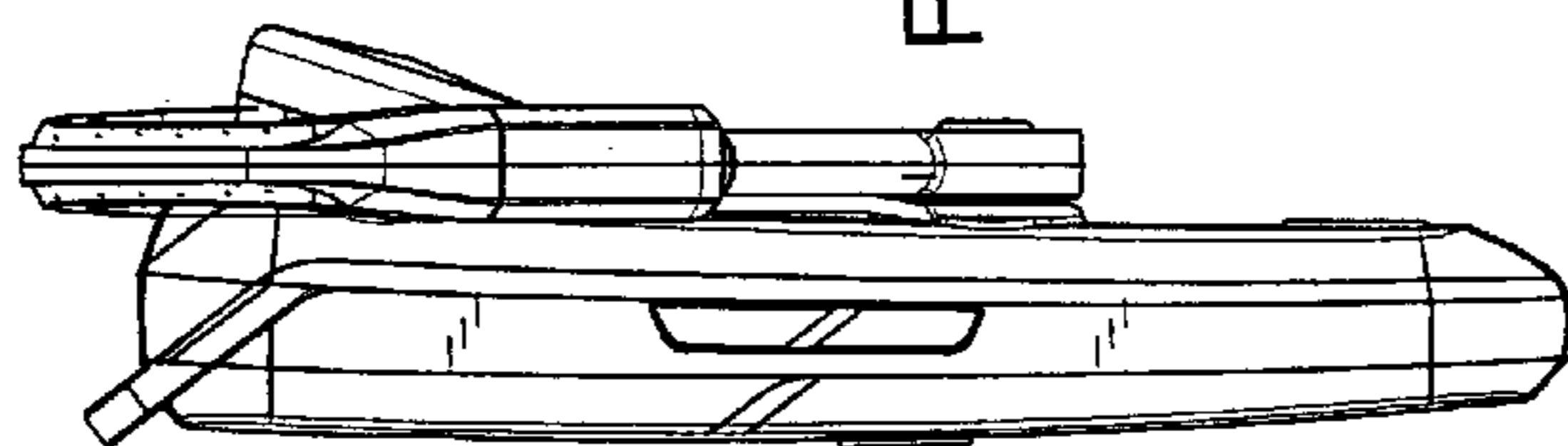


Fig. 2

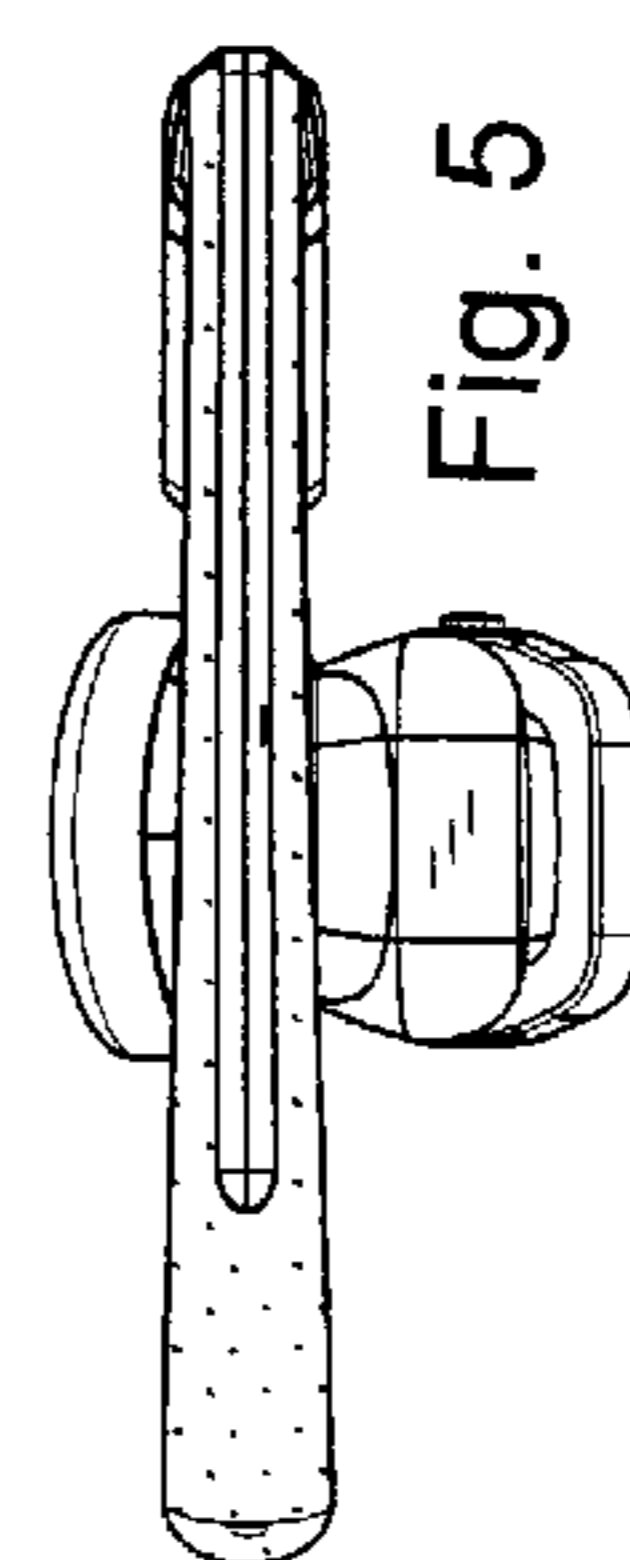


Fig. 5