



US00D533537S

(12) **United States Design Patent** (10) **Patent No.:** **US D533,537 S**
Reardon et al. (45) **Date of Patent:** **** Dec. 12, 2006**

(54) **PARTIALLY SPHERICAL SPEAKER ENCLOSURE AND ESCUTCHEON ASSEMBLY**
(75) Inventors: **Patrick G. Reardon**, Coto de Caza, CA (US); **Peter L. Lam**, Pasadena, CA (US); **Mark W. Jones**, Long Beach, CA (US); **Pablo C. Tobiano**, Pasig (PH)
(73) Assignee: **Magnadyne Corporation**, Compton, CA (US)

(**) Term: **14 Years**

(21) Appl. No.: **29/235,174**

(22) Filed: **Jul. 28, 2005**

(51) **LOC (8) Cl.** **14-01**
(52) **U.S. Cl.** **D14/172**
(58) **Field of Classification Search** D14/204, D14/207, 209-216, 172; D8/350, 352; 181/143-144, 181/147-148, 150, 157, 198-199, 151, 153; 381/300-302, 306, 333, 345, 361-364, 386-388, 381/332, 336
See application file for complete search history.

(56) **References Cited**

U.S. PATENT DOCUMENTS

| | | | | |
|-----------|---|----------|----------------|---------|
| 4,441,577 | A | 4/1984 | Kurihara | |
| 4,597,470 | A | 7/1986 | Takagi et al. | |
| 4,891,842 | A | 1/1990 | Green | |
| 4,917,212 | A | 4/1990 | Iwaya | |
| 5,133,428 | A | 7/1992 | Perrson | |
| 5,319,164 | A | * 6/1994 | Shen | 181/150 |
| 5,321,760 | A | 6/1994 | Gray | |
| 5,400,407 | A | 3/1995 | Cassity et al. | |
| 5,574,796 | A | 11/1996 | Keezer | |
| 5,960,095 | A | 9/1999 | Chang | |
| 6,101,262 | A | 8/2000 | Haase et al. | |

| | | | | |
|--------------|----|-----------|-----------------|---------|
| 6,343,135 | B1 | 1/2002 | Ellero et al. | |
| 6,356,640 | B1 | 3/2002 | Lin | |
| D474,174 | S | * 5/2003 | Right et al. | D14/209 |
| D484,492 | S | * 12/2003 | Welker et al. | D14/216 |
| D497,897 | S | * 11/2004 | Modschiedler | D14/172 |
| D512,414 | S | * 12/2005 | Christianson | D14/215 |
| 2002/0097889 | A1 | 7/2002 | Makino | |
| 2003/0048917 | A1 | 3/2003 | Manrique et al. | |
| 2004/0005073 | A1 | 1/2004 | Liu | |

OTHER PUBLICATIONS

Box of Linear Series LS075DT Speakers (sold by Applicant for more than a year prior to the filing date of the application).

Box of Linear Series LS100DT Speakers (sold by Applicant for more than a year prior to the filing date of the application).

* cited by examiner

Primary Examiner—Nanda Bondade

(74) *Attorney, Agent, or Firm*—Brooks Kushman P.C.

(57) **CLAIM**

The ornamental design for a partially spherical speaker enclosure and escutcheon assembly, as shown and described.

DESCRIPTION

FIG. 1 is a perspective view of the partially spherical speaker enclosure and escutcheon assembly of the present invention;

FIG. 2 is a bottom plan view thereof;

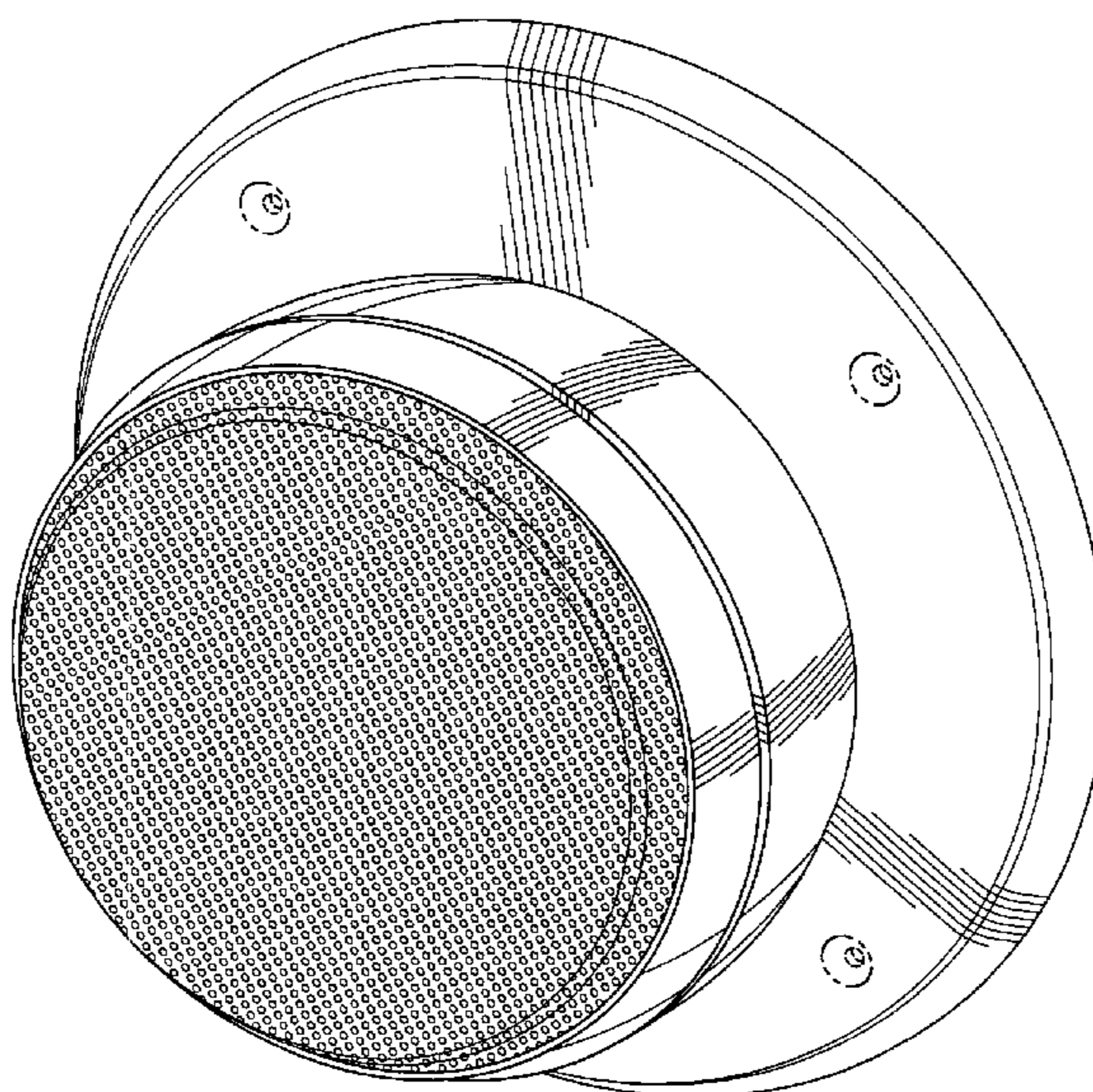
FIG. 3 is a side elevation view thereof;

FIG. 4 is a front elevation view thereof; and,

FIG. 5 is a top plan view thereof.

The broken lines are for illustrative purposes only and form no part of the claimed design.

1 Claim, 5 Drawing Sheets



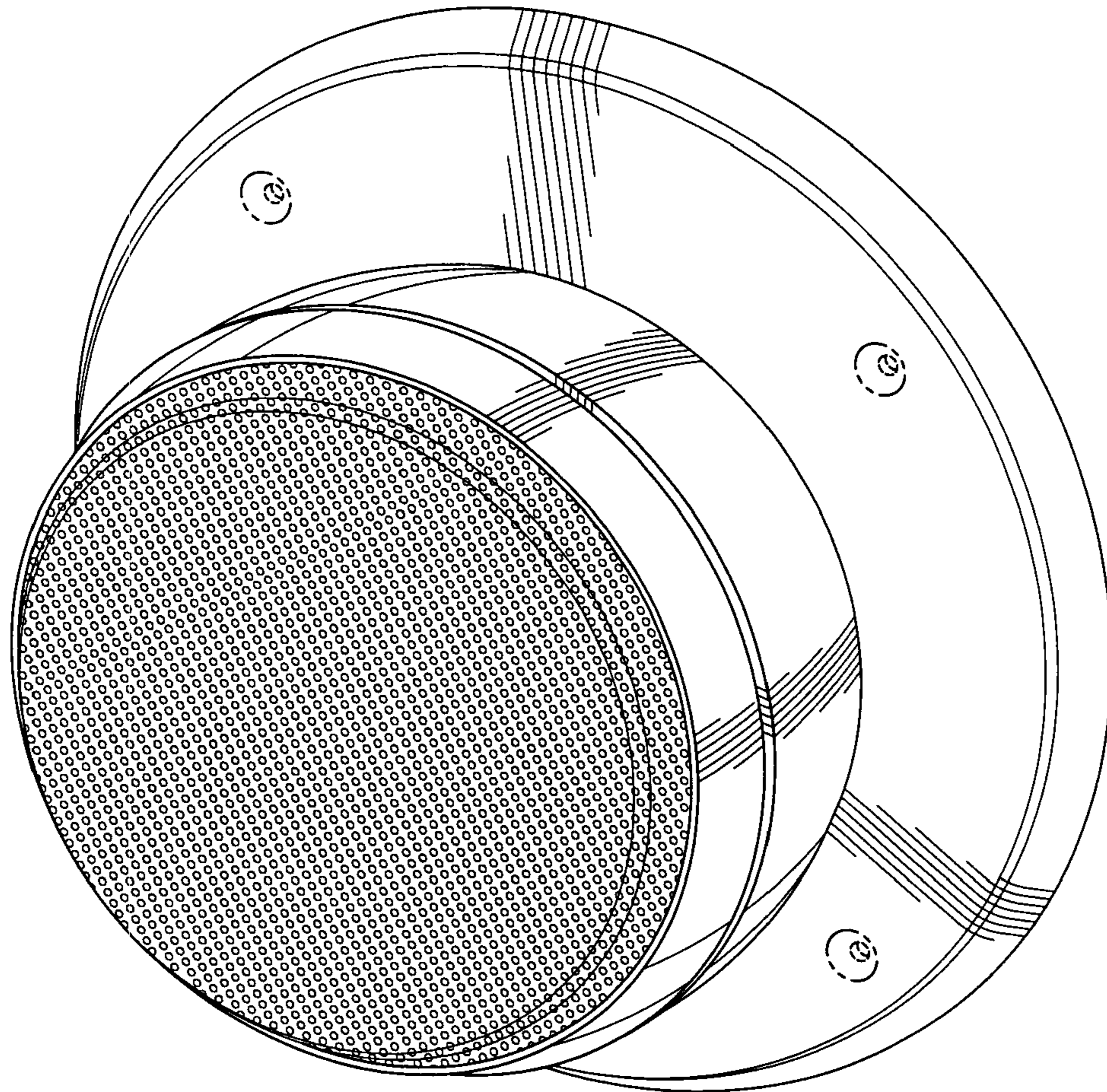


Fig-1

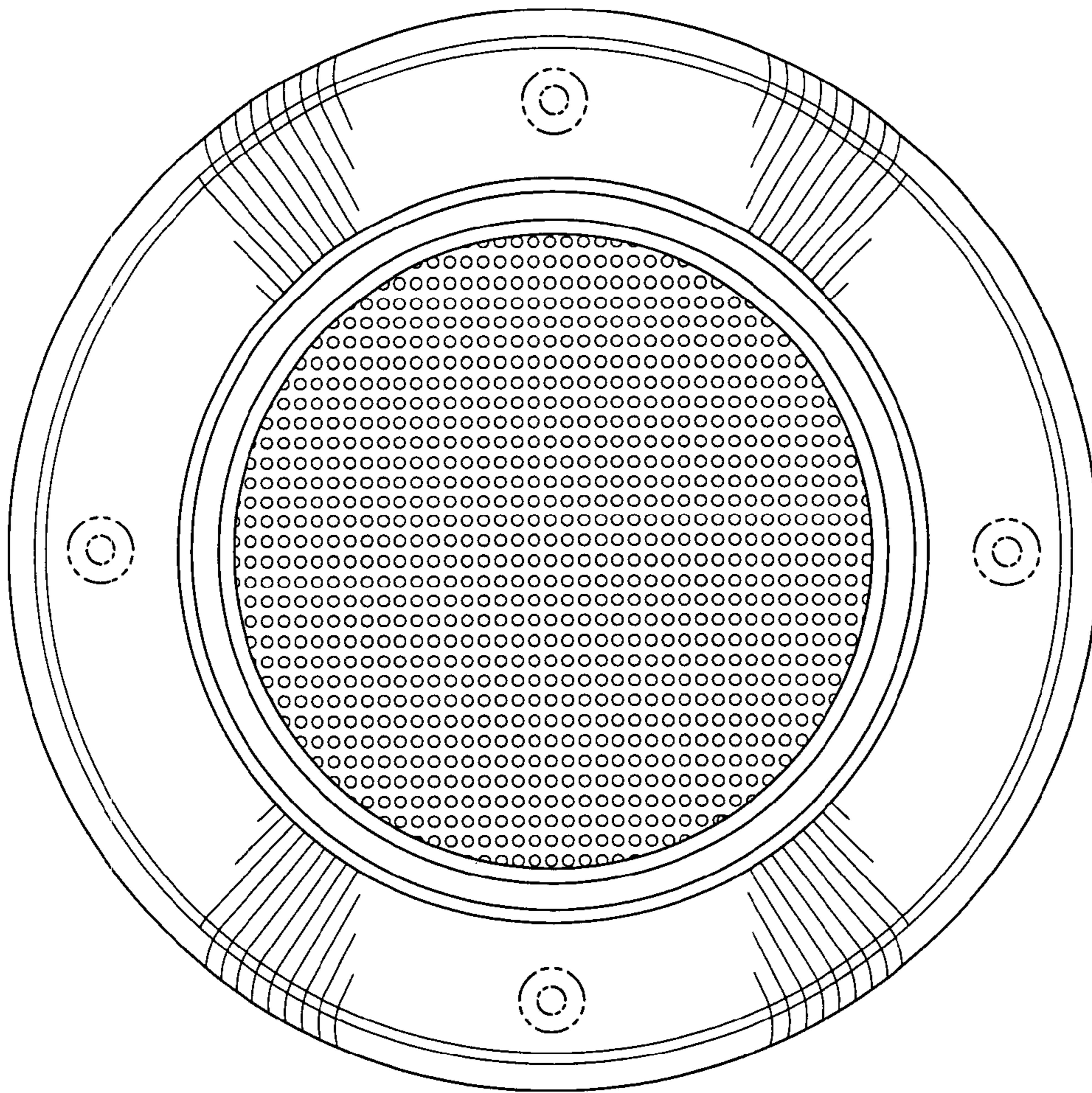


Fig-2

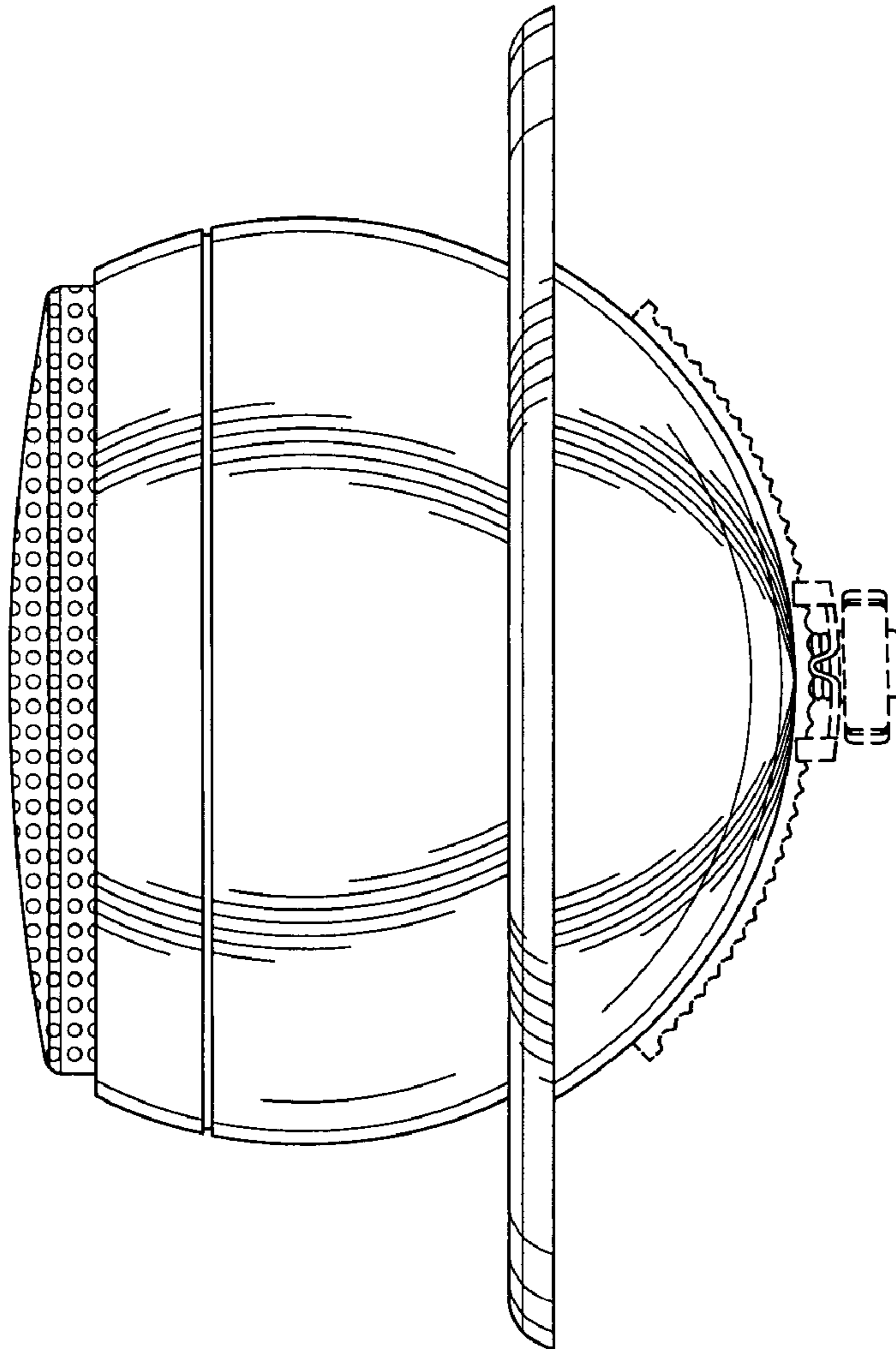


Fig-3

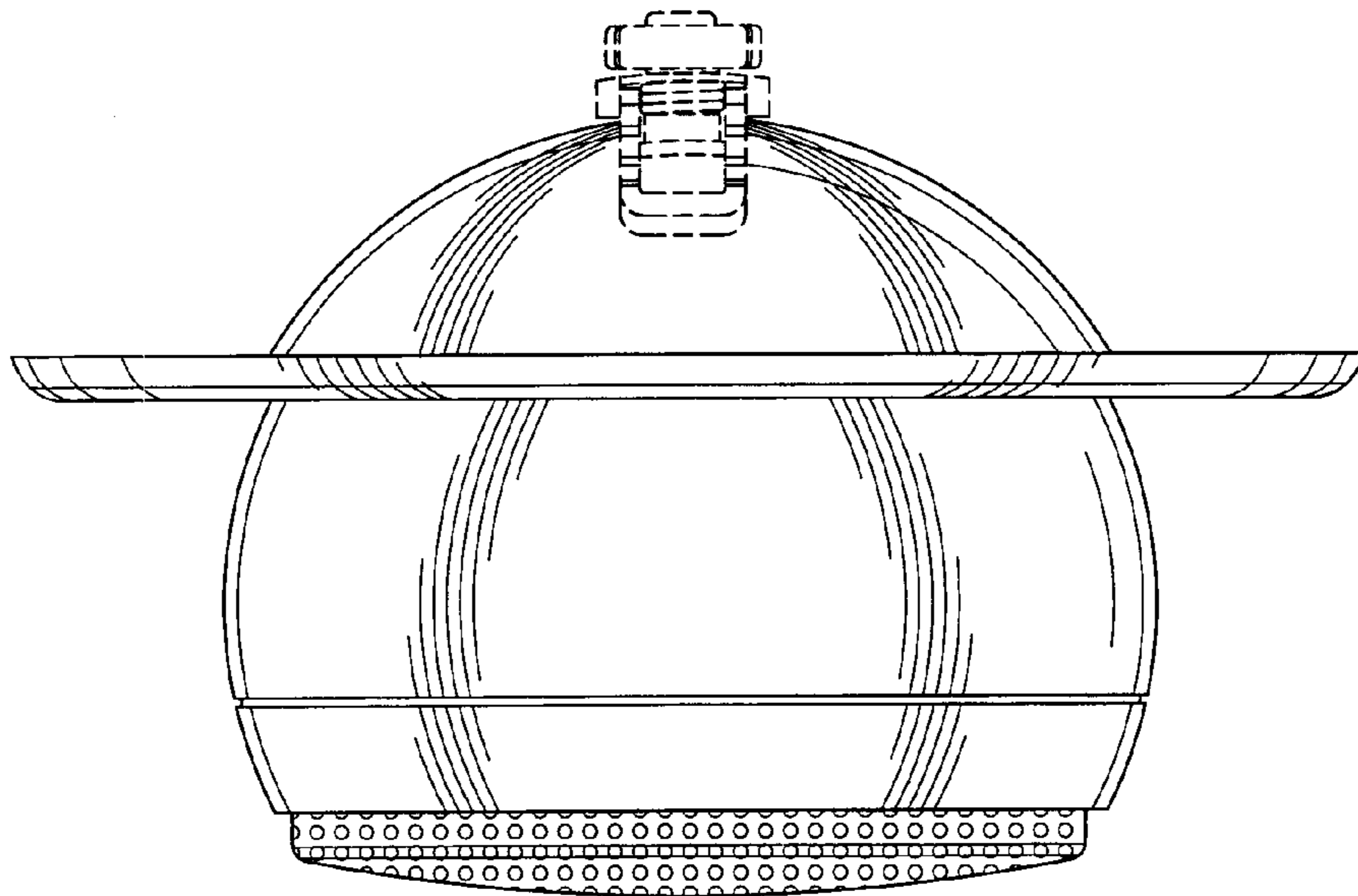


Fig-4

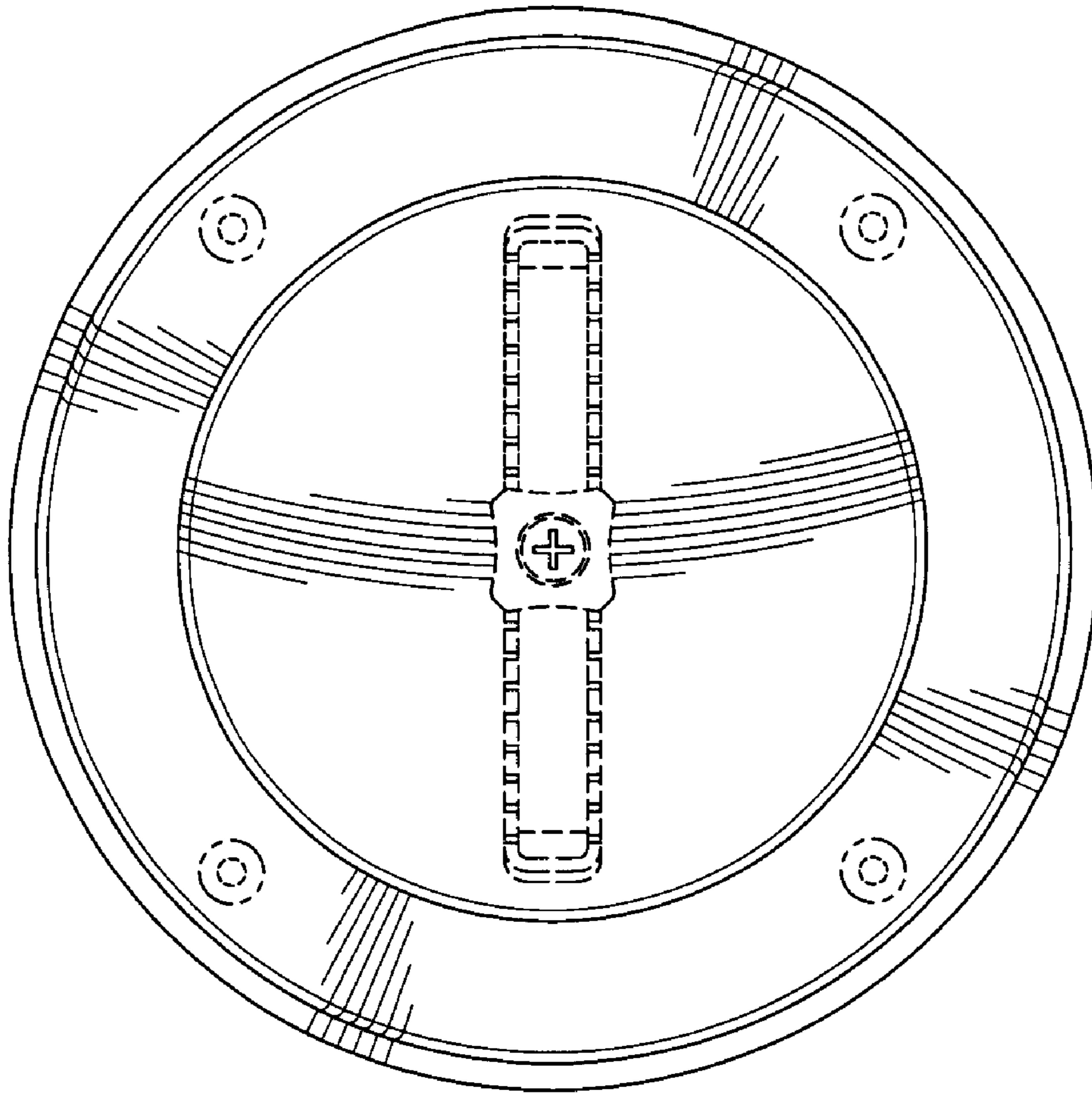


Fig-5