



US00D533536S

(12) **United States Design Patent**
Mizokawa

(10) **Patent No.:** **US D533,536 S**
(45) **Date of Patent:** **** Dec. 12, 2006**

- (54) **CAR AUDIO**
- (75) Inventor: **Hiroyuki Mizokawa**, Yokohama (JP)
- (73) Assignee: **Matsushita Electric Industrial Co., Ltd.**, Osaka (JP)
- (**) Term: **14 Years**
- (21) Appl. No.: **29/235,644**
- (22) Filed: **Aug. 3, 2005**
- (30) **Foreign Application Priority Data**
Jun. 7, 2005 (JP) 2005-016484

5,953,302 A	9/1999	Kobayashi
D428,865 S	8/2000	Nishiwaki et al.
D430,123 S	8/2000	Shinohara et al.
D445,775 S	7/2001	Hori et al.
D446,510 S	8/2001	Hori et al.
D446,781 S	8/2001	Hori et al.
D448,014 S	9/2001	Hori et al.
D452,859 S	1/2002	Le Thellec
D471,887 S	3/2003	Nishii et al.
D475,691 S	6/2003	Nishii et al.
D486,134 S	2/2004	Hori et al.
D486,135 S	2/2004	Hori et al.
D487,073 S	* 2/2004	Hori et al. D14/157
D495,314 S	8/2004	Mizokawa et al.
D495,315 S	8/2004	Mizokawa et al.

- (51) **LOC (8) Cl.** **14-01**
- (52) **U.S. Cl.** **D14/157**
- (58) **Field of Classification Search** D14/135-136,
D14/157, 168, 197-198, 188, 257, 258; 360/99.02,
360/99.07; 369/75.11, 75.21, 77.21, 77.11;
720/612, 619, 647, 655; 455/344, 347-351
See application file for complete search history.

FOREIGN PATENT DOCUMENTS

JP	D1126661	11/2001
JP	D1151953	9/2002
JP	D1153780	9/2002

* cited by examiner

Primary Examiner—Nanda Bondade
(74) *Attorney, Agent, or Firm*—Brinks Hofer Gilson & Lione

(56) **References Cited**
U.S. PATENT DOCUMENTS

4,758,910 A	7/1988	Kaneko et al.
D313,023 S	12/1990	Kolenda et al.
D323,499 S	1/1992	Bang
D345,359 S	3/1994	Yamane
D351,167 S	10/1994	Yun
D352,284 S	11/1994	Kakizaki
D365,568 S	12/1995	Tokiyama
5,477,432 A	12/1995	Magic et al.
5,610,376 A	3/1997	Takagi et al.
D391,958 S	3/1998	Miyazawa et al.
D400,529 S	11/1998	Kakizaki
5,848,042 A	12/1998	Takahashi et al.
5,852,594 A	12/1998	Kaise et al.
5,862,468 A	1/1999	Kim
D407,394 S	3/1999	Oh

(57) **CLAIM**

I claim the ornamental design for a car audio, as shown and described.

DESCRIPTION

FIG. 1 is a top perspective view of a car audio of the present invention;
FIG. 2 is a front view thereof;
FIG. 3 is a first side view thereof;
FIG. 4 is a top view thereof;
FIG. 5 is a second view thereof;
FIG. 6 is a bottom view thereof; and,
FIG. 7 is a rear view thereof.

1 Claim, 3 Drawing Sheets

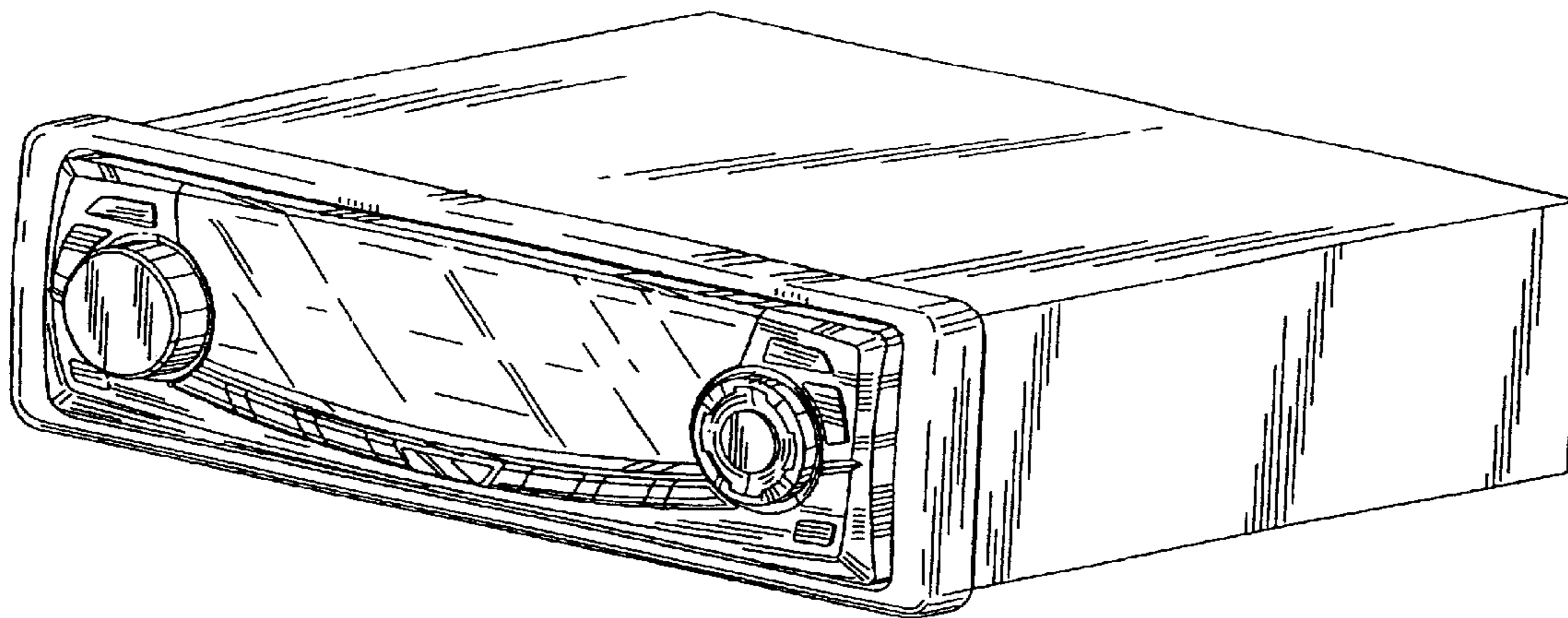


FIG 1

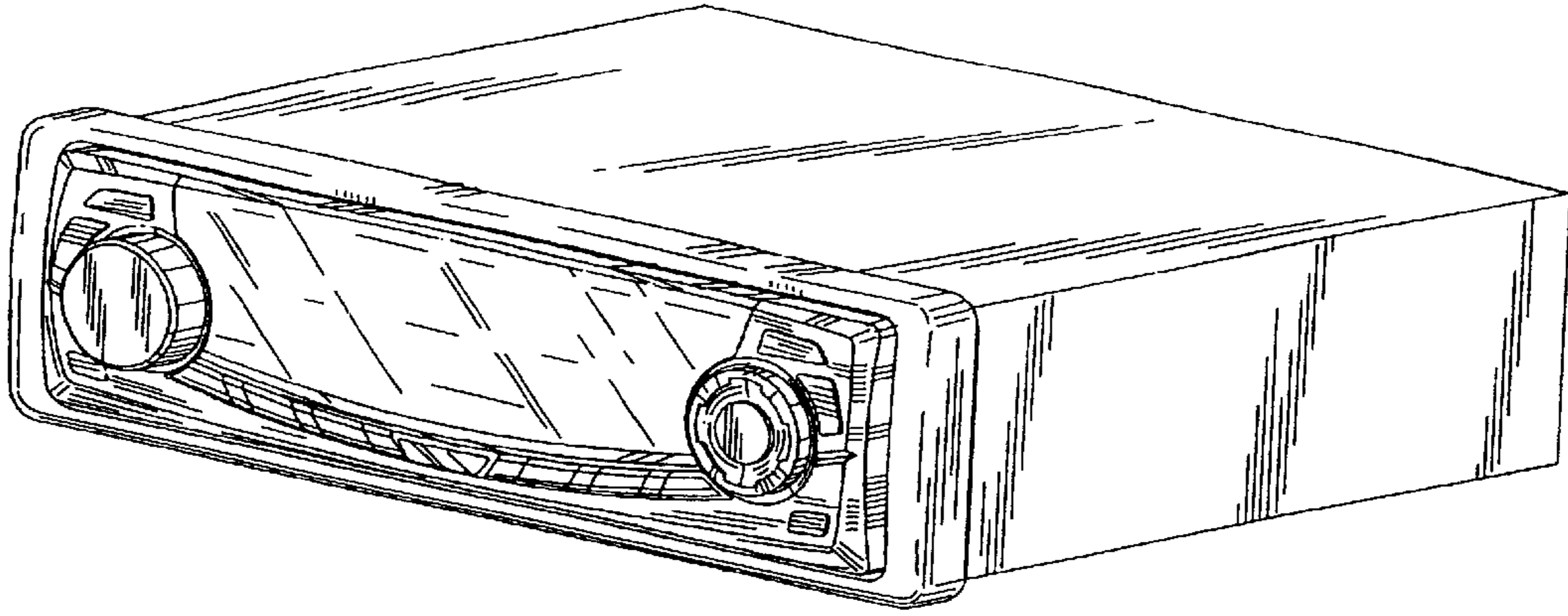


FIG 2

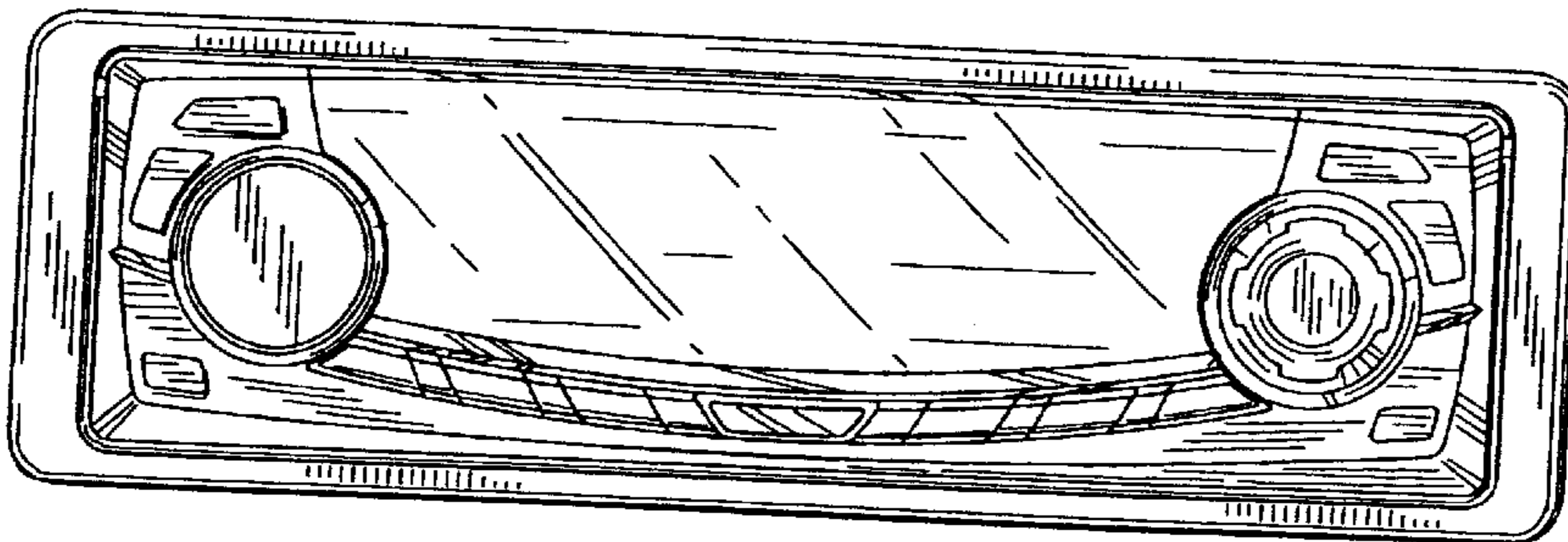


FIG 3

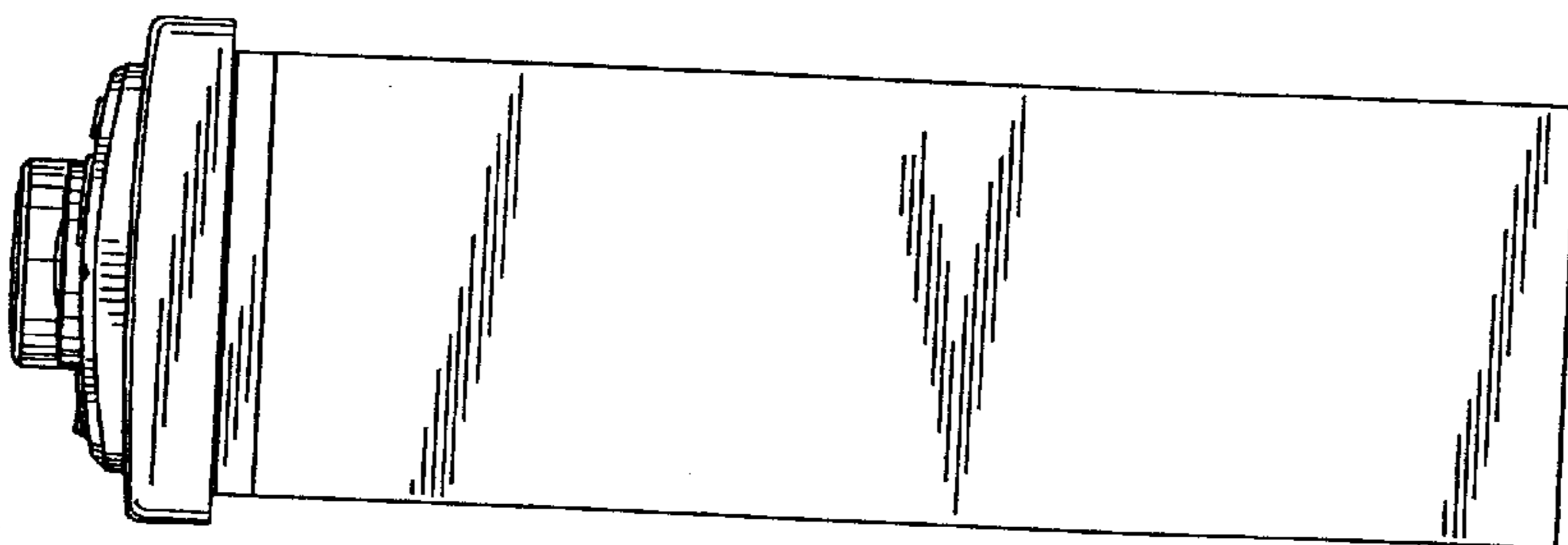


FIG 4

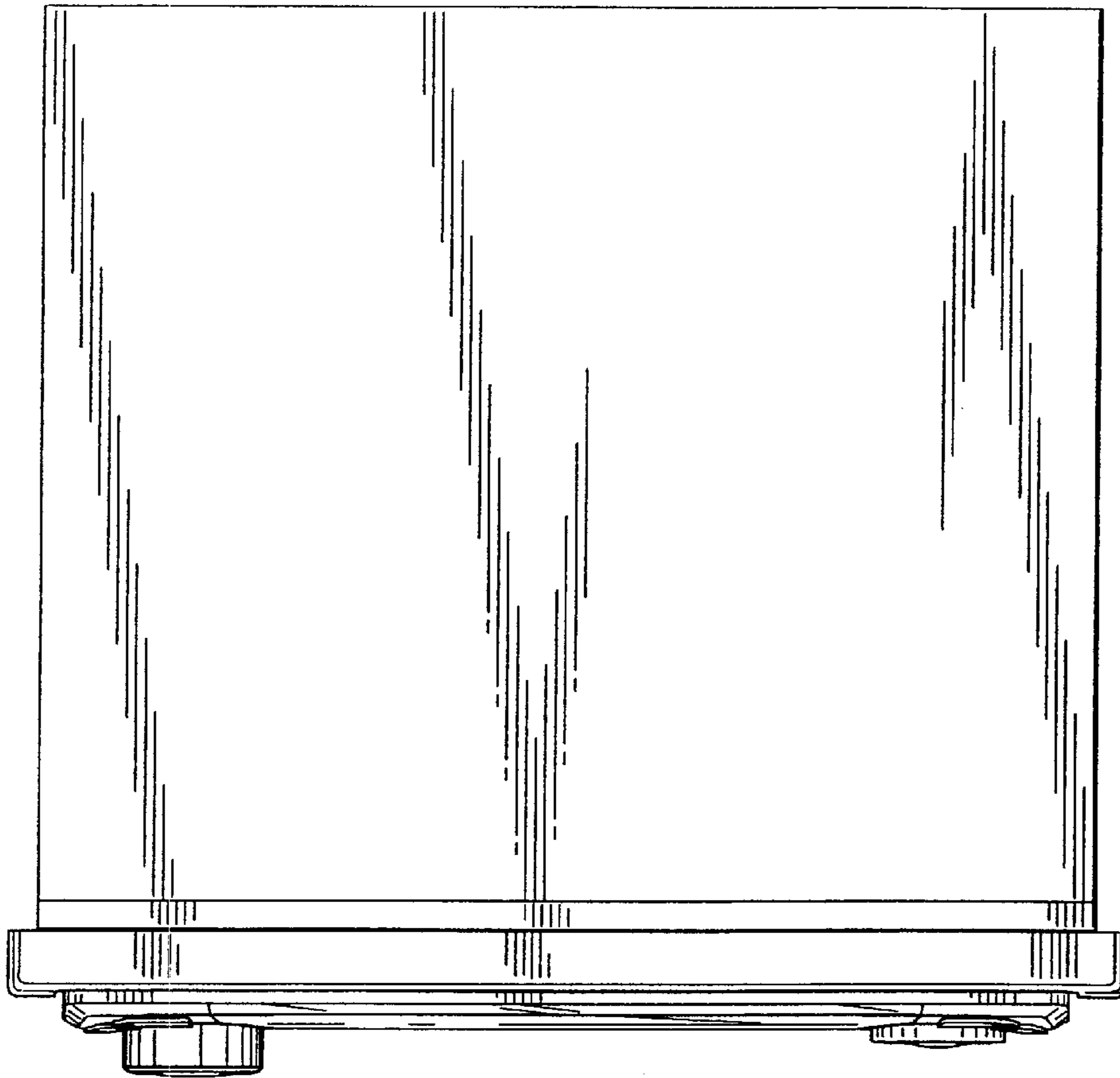


FIG 5

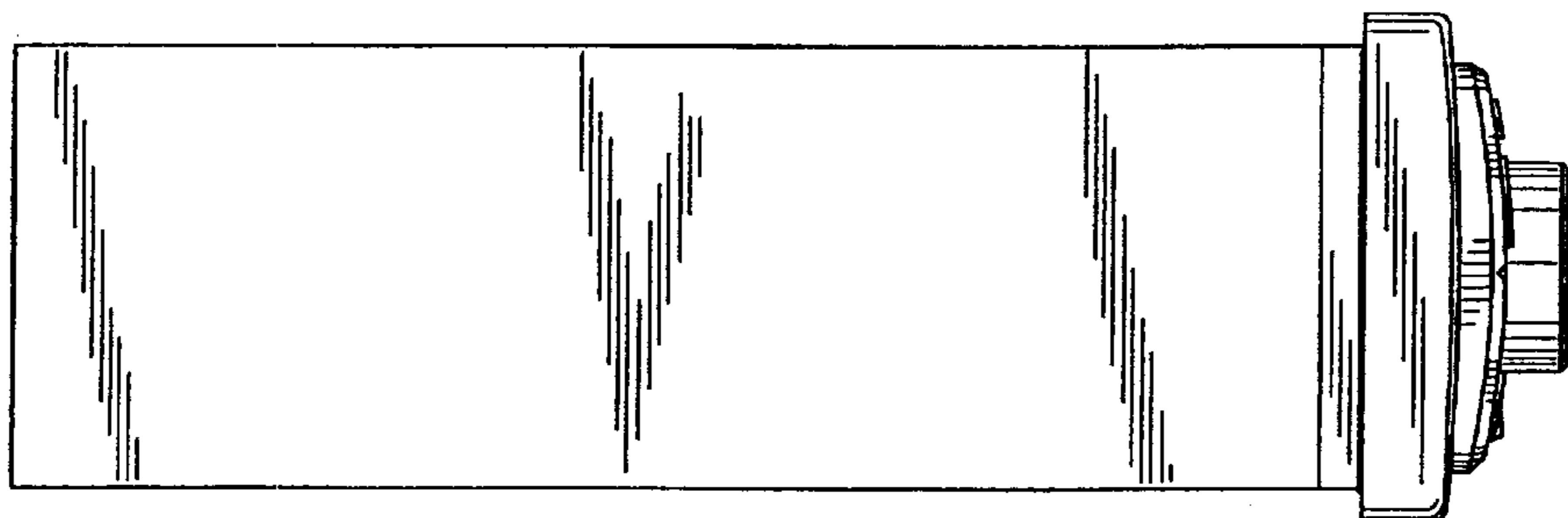


FIG 6

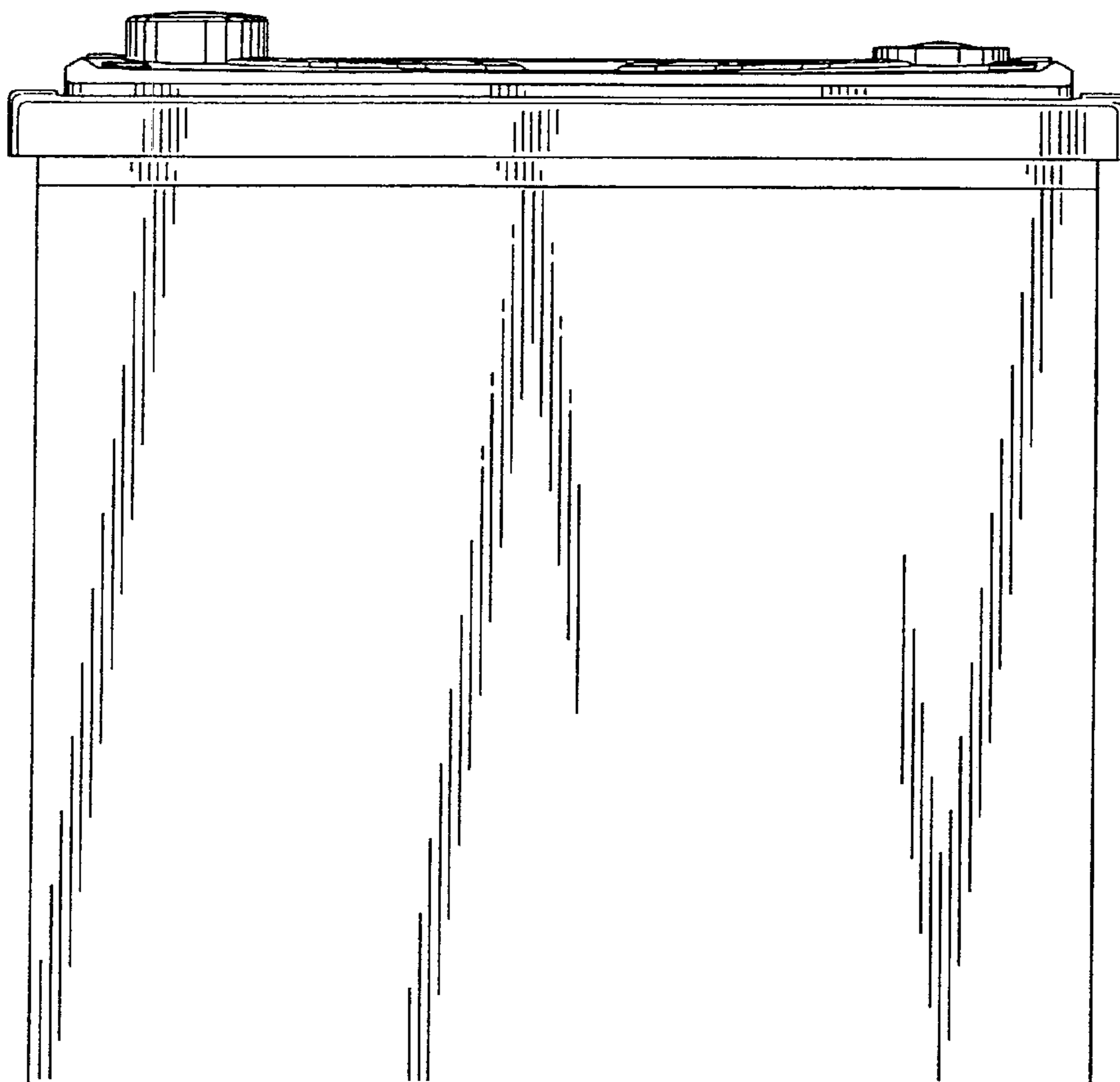


FIG 7

