



US00D533535S

(12) **United States Design Patent**
Mizokawa

(10) **Patent No.:** **US D533,535 S**

(45) **Date of Patent:** **** Dec. 12, 2006**

(54) **CAR AUDIO**

(75) Inventor: **Hiroyuki Mizokawa**, Yokohama (JP)

(73) Assignee: **Matsushita Electric Industrial Co., Ltd.**, Osaka (JP)

(**) Term: **14 Years**

(21) Appl. No.: **29/235,630**

(22) Filed: **Aug. 3, 2005**

(30) **Foreign Application Priority Data**

Jun. 7, 2005 (JP) 2005-016487

(51) **LOC (8) Cl.** **14-01**

(52) **U.S. Cl.** **D14/157**

(58) **Field of Classification Search** D14/135-136,
D14/157, 168, 197-198, 188, 257, 258; 360/99.02,
360/99.07; 369/75.11, 75.21, 77.21, 77.11;
720/612, 619, 647, 655; 455/344, 347-351

See application file for complete search history.

(56) **References Cited**

U.S. PATENT DOCUMENTS

- 4,758,910 A 7/1988 Kaneko et al.
- D313,023 S 12/1990 Kolenda et al.
- D323,499 S 1/1992 Bang
- D345,359 S 3/1994 Yamane
- D351,167 S 10/1994 Yun
- D352,284 S 11/1994 Kakizaki
- D365,568 S 12/1995 Tokiyama
- 5,477,432 A 12/1995 Magic et al.
- 5,610,376 A 3/1997 Takagi et al.
- D391,958 S 3/1998 Miyazawa et al.
- D400,529 S 11/1998 Kakizaki
- 5,848,042 A 12/1998 Takahashi et al.
- 5,852,594 A 12/1998 Kaise et al.
- 5,862,468 A 1/1999 Kim
- D407,394 S 3/1999 Oh
- D410,650 S * 6/1999 Hara D14/168

- 5,953,302 A 9/1999 Kobayashi
- D428,865 S 8/2000 Nishiwaki et al.
- D430,123 S 8/2000 Shinohara et al.
- D445,775 S 7/2001 Hori et al.
- D446,510 S 8/2001 Hori et al.
- D446,781 S 8/2001 Hori et al.
- D448,014 S 9/2001 Hori et al.
- D452,859 S 1/2002 Le Thellec
- D471,887 S 3/2003 Nishii et al.
- D475,691 S 6/2003 Nishii et al.
- D486,134 S 2/2004 Hori et al.
- D486,135 S 2/2004 Hori et al.
- D487,073 S * 2/2004 Hori et al. D14/157
- D495,314 S 8/2004 Mizokawa et al.
- D495,315 S 8/2004 Mizokawa et al.

FOREIGN PATENT DOCUMENTS

- JP D1126661 11/2001
- JP D1151953 9/2002
- JP D1153780 9/2002

* cited by examiner

Primary Examiner—Nanda Bondade
(74) *Attorney, Agent, or Firm*—Brinks Hofer Gilson & Lione

(57) **CLAIM**

I claim the ornamental design for a car audio, as shown and described.

DESCRIPTION

FIG. 1 is a top perspective view of a car audio of the present invention;
FIG. 2 is a front view thereof;
FIG. 3 is a first side view thereof;
FIG. 4 is a top view thereof;
FIG. 5 is a second side view thereof;
FIG. 6 is a bottom view thereof; and,
FIG. 7 is a rear view thereof.

1 Claim, 3 Drawing Sheets

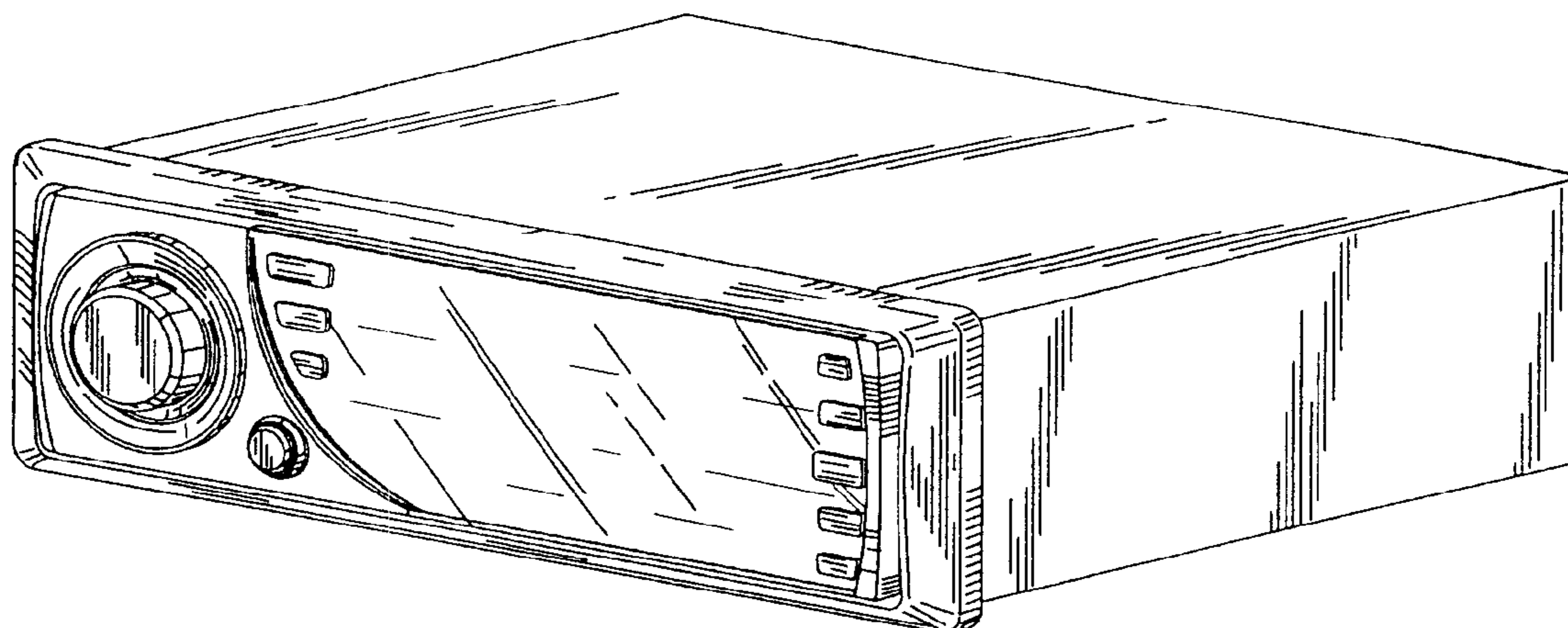


FIG 1

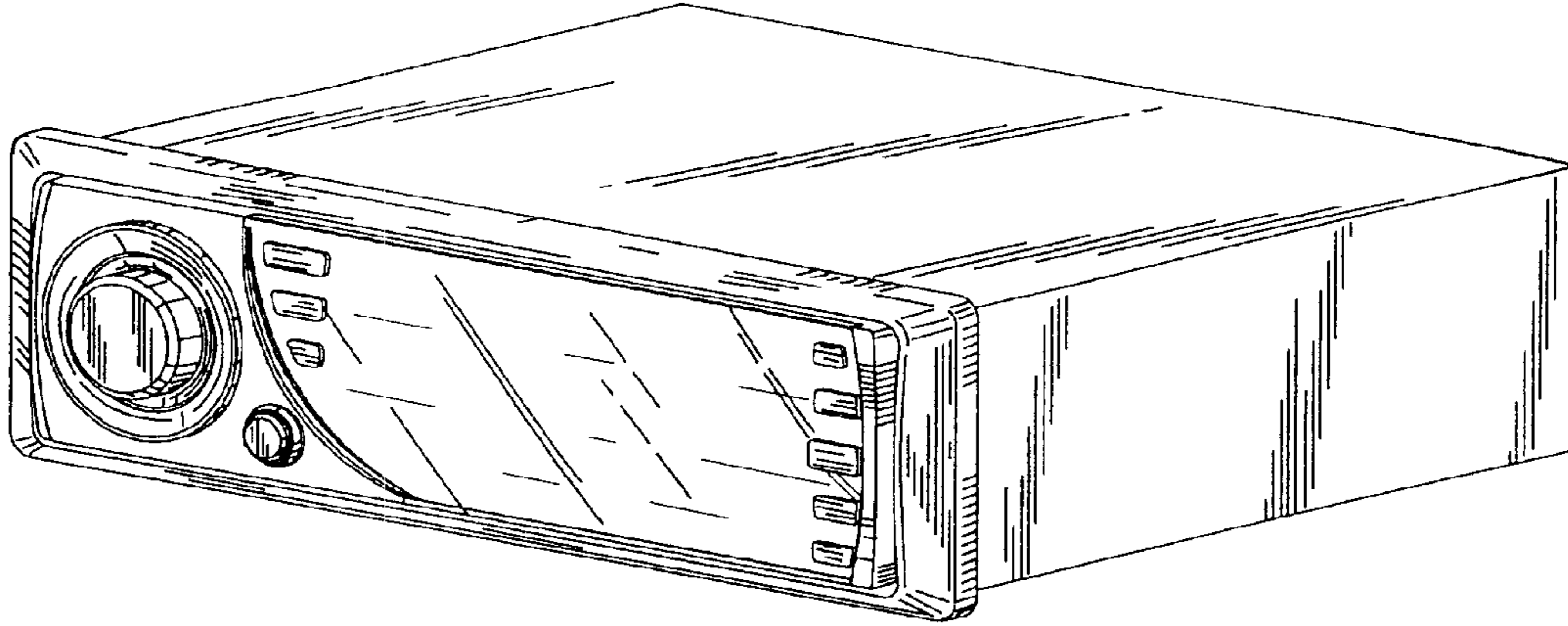


FIG 2

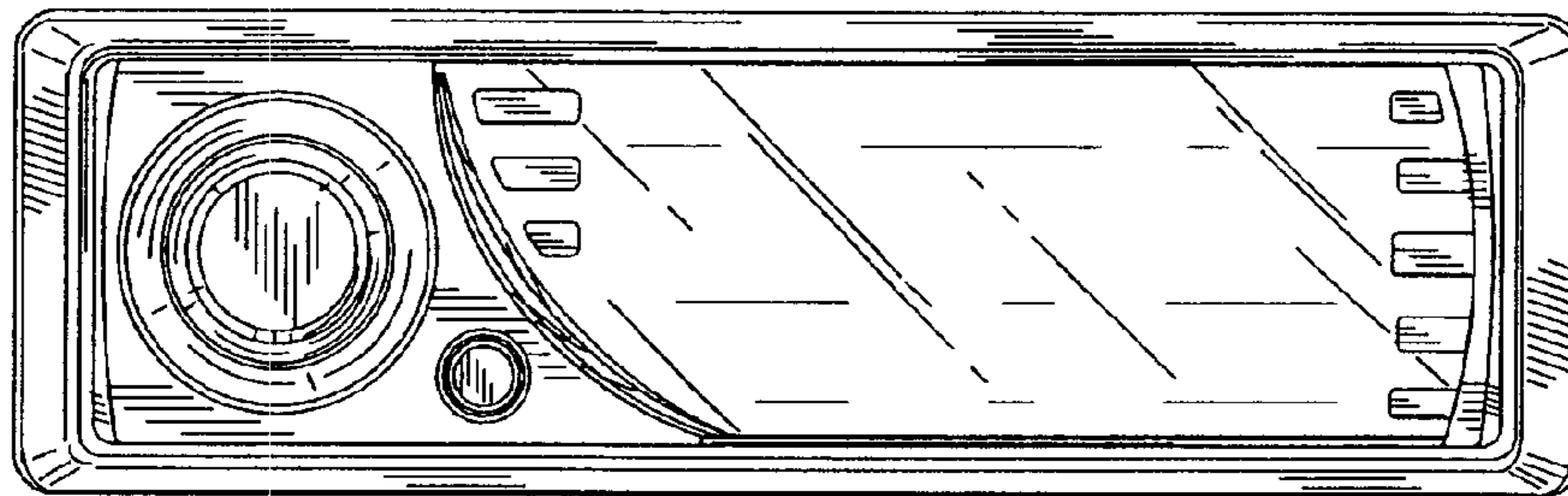


FIG 3

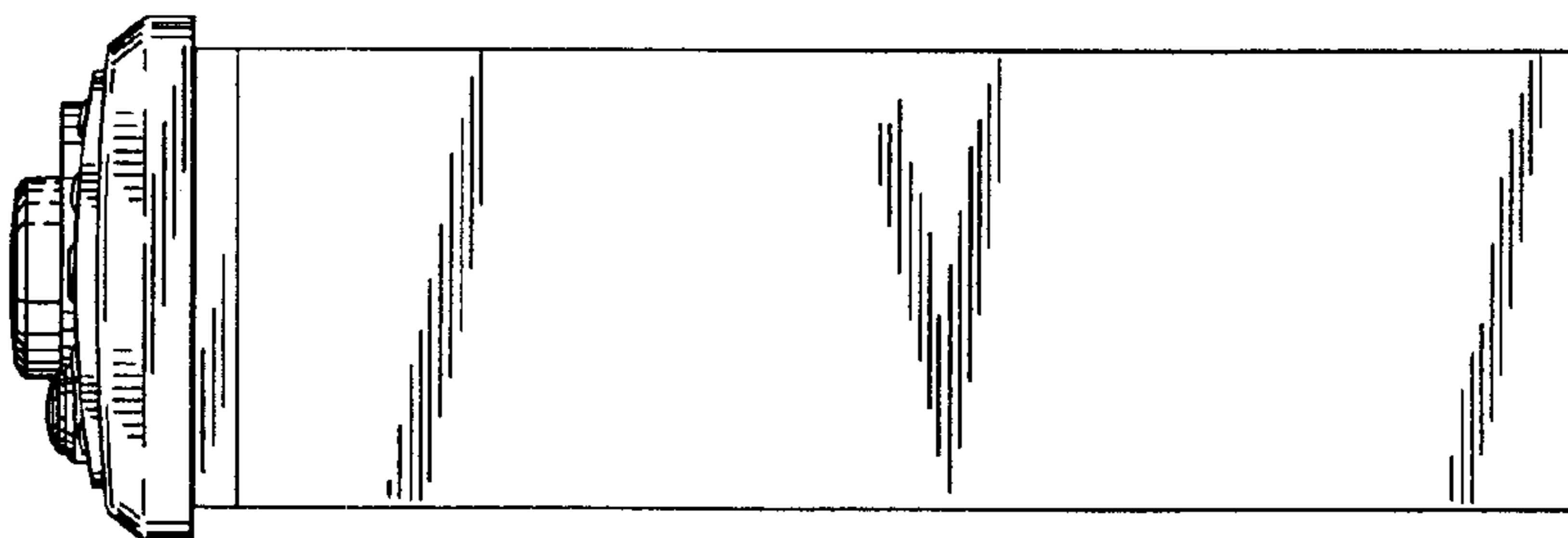


FIG 4

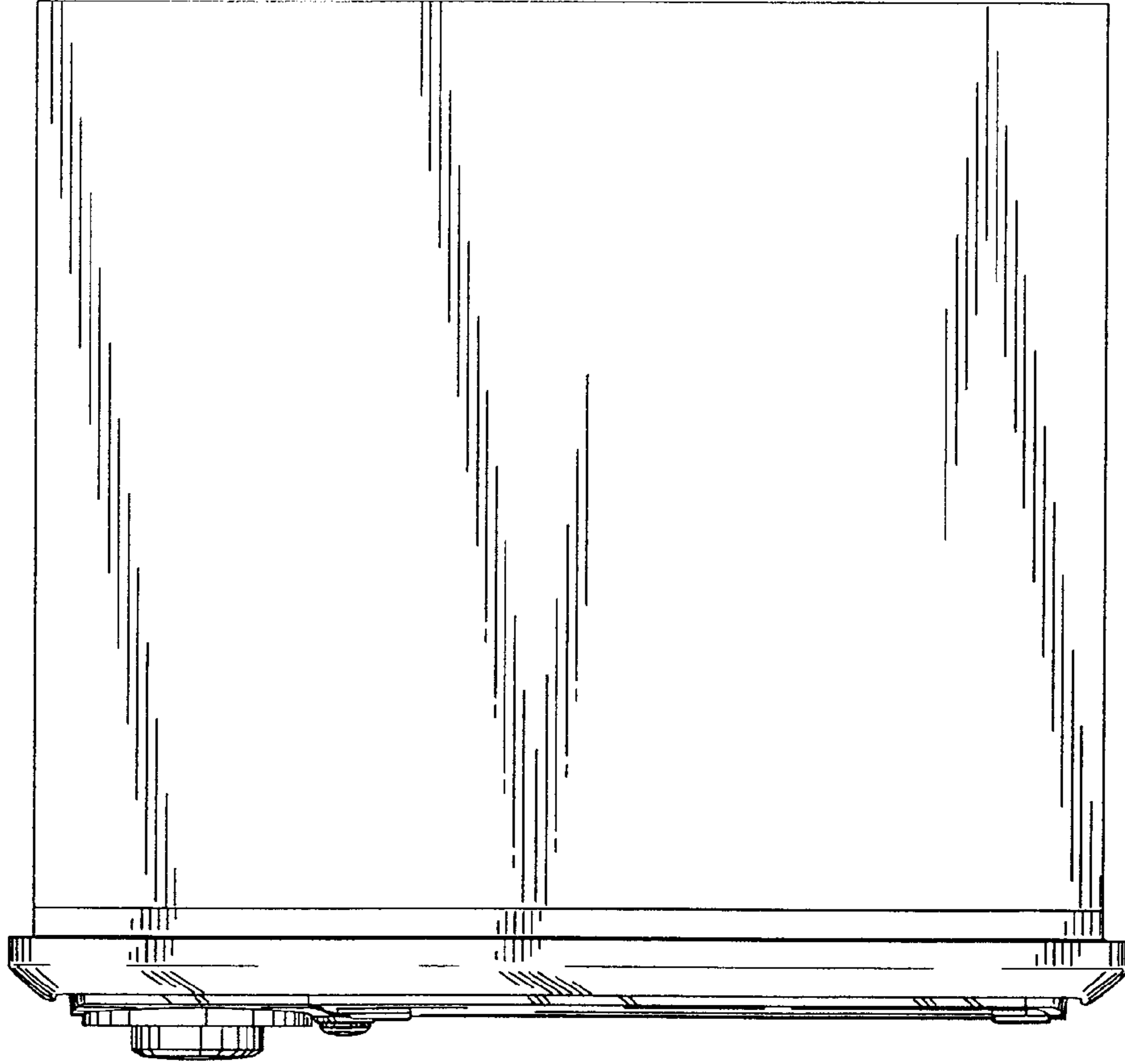


FIG 5

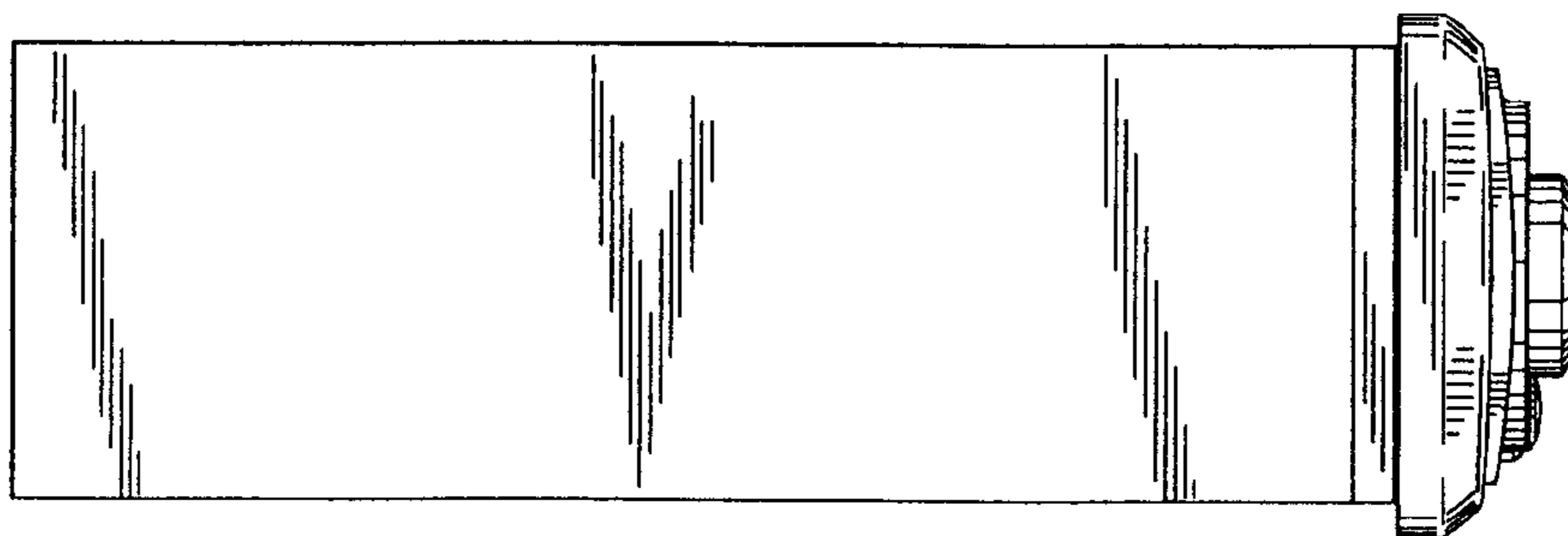


FIG 6

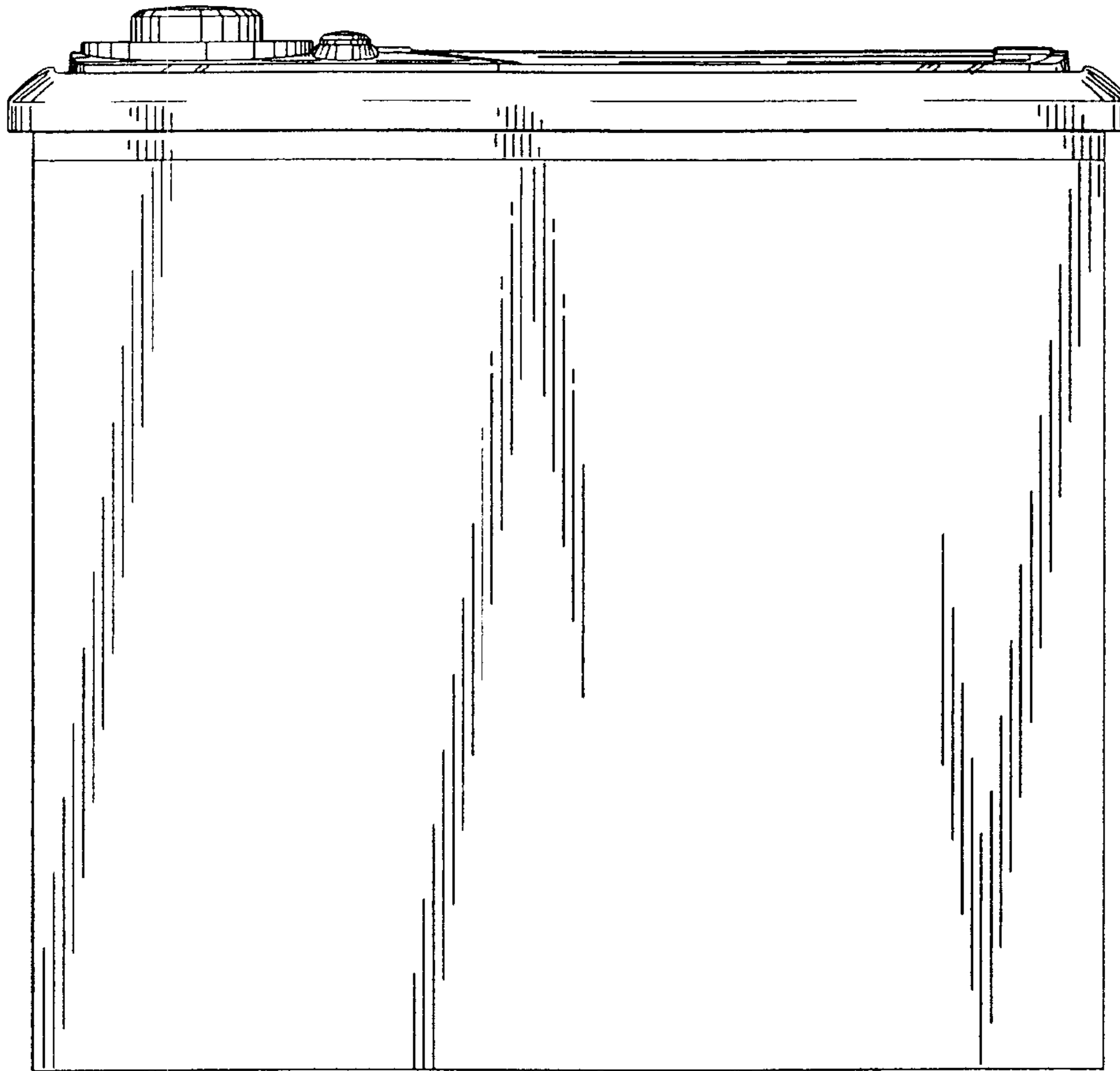


FIG 7

