



US00D533532S

(12) **United States Design Patent**
Kim et al.

(10) **Patent No.:** **US D533,532 S**

(45) **Date of Patent:** **** Dec. 12, 2006**

(54) **PORTABLE TELEPHONE**

(75) Inventors: **Young Se Kim**, Palo Alto, CA (US);
Chi Young Ahn, Seoul (KR); **Young Ju Yeo**, Seoul (KR); **Chang Hwan Hwang**, Goyang-si (KR)

(73) Assignee: **Samsung Electronics Co., Ltd** (KR)

(**) Term: **14 Years**

(21) Appl. No.: **29/239,357**

(22) Filed: **Sep. 29, 2005**

(30) **Foreign Application Priority Data**

Jun. 17, 2005 (KR) 30-2005-0020337

(51) **LOC (8) Cl.** **14-03**

(52) **U.S. Cl.** **D14/138**

(58) **Field of Classification Search** D14/137,
D14/138, 147-148, 247-248, 144, 496, 156,
D14/341-347; 379/433.01-433.13; 348/14.02,
348/14.01, 376; 455/575.4, 566, 575.1, 556.1,
455/556.2, 90.3; D21/329, 331, 333; D16/208
See application file for complete search history.

(56) **References Cited**

U.S. PATENT DOCUMENTS

D466,096 S	*	11/2002	Takada	D14/138
D494,151 S	*	8/2004	Walliser et al.	D14/138
D496,020 S	*	9/2004	Lee	D14/138
D498,736 S	*	11/2004	Lee	D14/138
D501,475 S	*	2/2005	Kim	D14/346
D503,699 S	*	4/2005	Lee et al.	D14/138
D508,240 S	*	8/2005	Lee et al.	D14/138
D508,473 S	*	8/2005	Lee et al.	D14/138
D508,687 S	*	8/2005	Lee	D14/138
D508,688 S	*	8/2005	Lee et al.	D14/138
D515,060 S	*	2/2006	Lee et al.	D14/138
D515,544 S	*	2/2006	Kim et al.	D14/138
D519,116 S	*	4/2006	Tanaka et al.	D14/341
D519,998 S	*	5/2006	Park	D14/346
2003/0114198 A1	*	6/2003	Han	455/566
2003/0203747 A1	*	10/2003	Nagamine	455/575.3

2003/0223576 A1	*	12/2003	Totani	379/433.04
2004/0192398 A1	*	9/2004	Zhu	455/566
2004/0259592 A1	*	12/2004	Taneya et al.	455/556.1

(Continued)

OTHER PUBLICATIONS

Samsung E880 telephone, announced 1st quarter 2005, [online], [retrieved on May 4, 2006]. Retrieved from Internet ,URL: <http://www.gsmarena.com>>.*

LE U900 telephone, announced Apr. 2006, [online], [retrieved on May 30, 2006]. Retrieved from Internet ,URL: <http://www.gsmarena.com>>.*

LG V9000 telephone, announced Feb. 2006, [online], [retrieved on May 30, 2006]. Retrieved from Internet ,URL: <http://www.gsmarena.com>>.*

Samsung Z130 telephone, announced 1st quarter 2005, [online], [retrieved on May 30, 2006]. Retrieved from Internet ,URL: <http://www.gsmarena.com>>.*

Primary Examiner—Jeffrey Asch

(74) *Attorney, Agent, or Firm*—Irving Keschner

(57) **CLAIM**

The ornamental design for portable telephone, as shown.

DESCRIPTION

FIG. 1 is a perspective view of the ornamental design of the present invention;

FIG. 2 is a front elevational view of the ornamental design of the present invention;

FIG. 3 is a rear elevational view of the ornamental design of the present invention;

FIG. 4 is a left side elevational view of the ornamental design of the present invention;

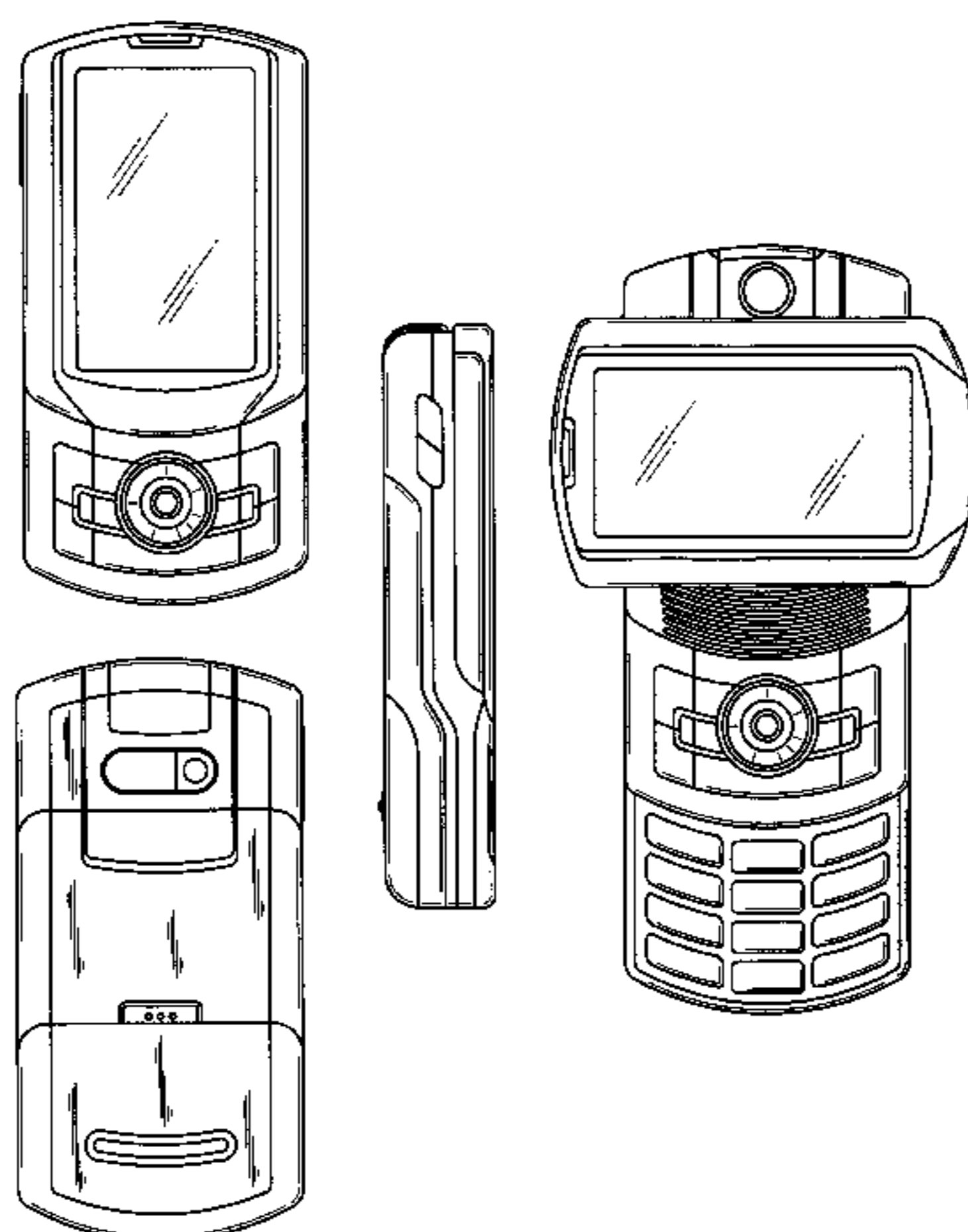
FIG. 5 is a right side elevational view of the ornamental design of the present invention;

FIG. 6 is a top plan view of the ornamental design of the present invention;

FIG. 7 is a bottom view of the ornamental design of the present invention; and,

FIG. 8 illustrates the portable telephone of the present invention with the LCD screen in the horizontal position.

1 Claim, 3 Drawing Sheets



US D533,532 S

Page 2

U.S. PATENT DOCUMENTS

2004/0266477	A1 *	12/2004	Murata	455/556.1				
2005/0009581	A1 *	1/2005	Im et al.	455/575.4				
2005/0090298	A1 *	4/2005	Park et al.	455/575.4				
2005/0119034	A1 *	6/2005	Kato et al.	455/575.4				
2005/0124394	A1 *	6/2005	Kim et al.	455/575.3				
2005/0124398	A1 *	6/2005	Lee et al.	455/575.4				
2005/0190291	A1 *	9/2005	Kota et al.	348/376				
2005/0202856	A1 *	9/2005	Park et al.	455/575.1				
2005/0215298	A1 *	9/2005	Lee	455/575.4				
2005/0250532	A1 *	11/2005	Hwang et al.	455/550.1				
2005/0255897	A1 *	11/2005	Lee et al.	455/575.4				
2006/0025184	A1 *	2/2006	Cho et al.	455/575.4				
2006/0030380	A1 *	2/2006	Pentinpuro	455/575.3				

* cited by examiner

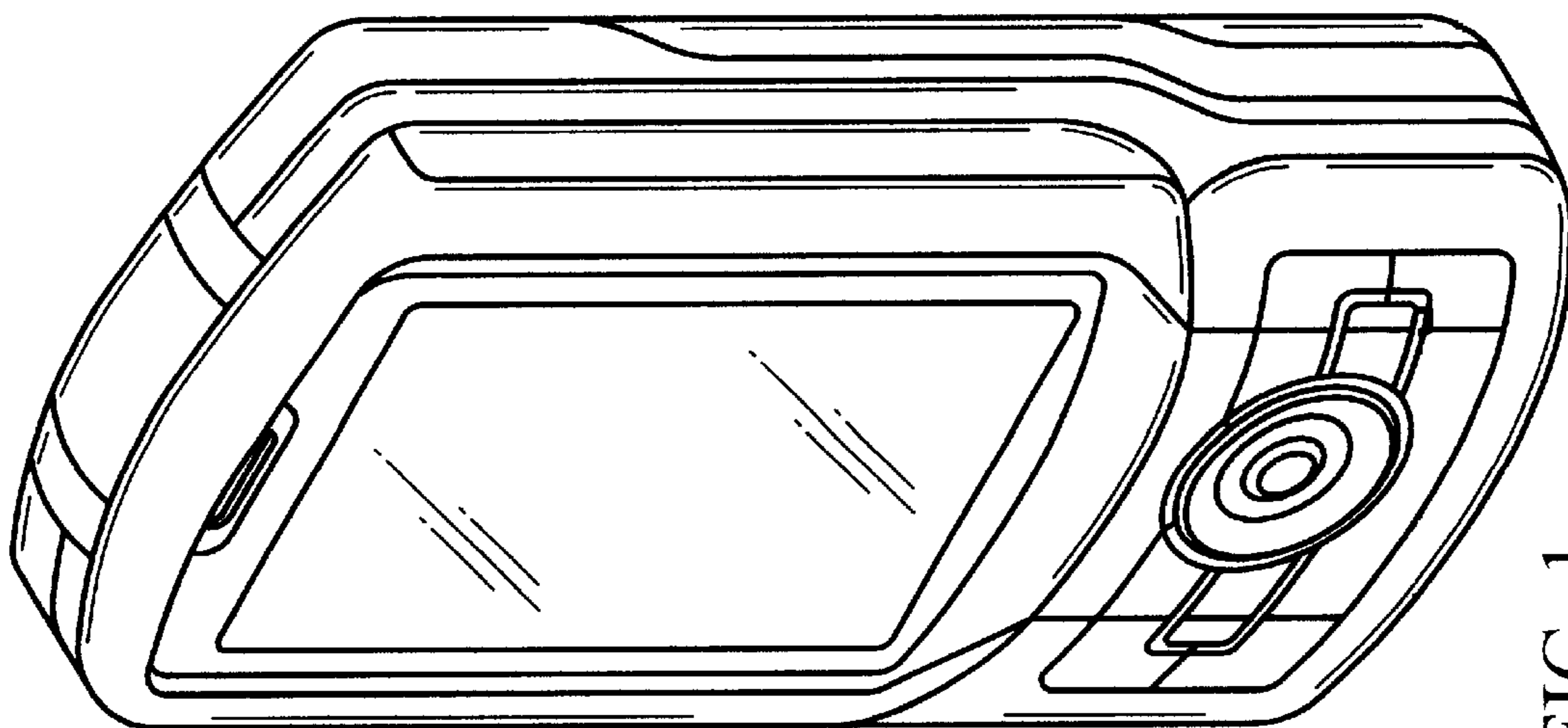


FIG. 1

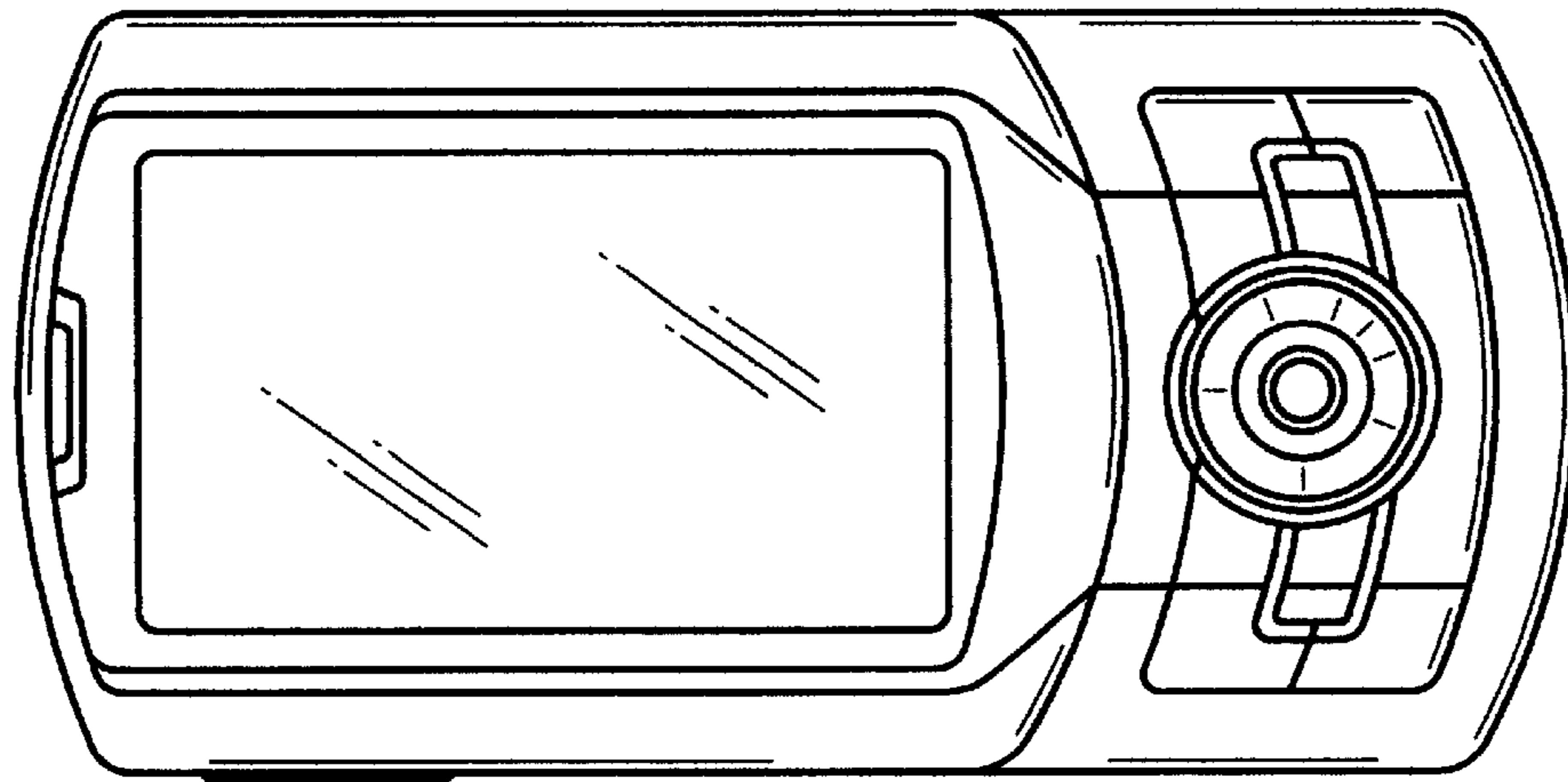


FIG. 2

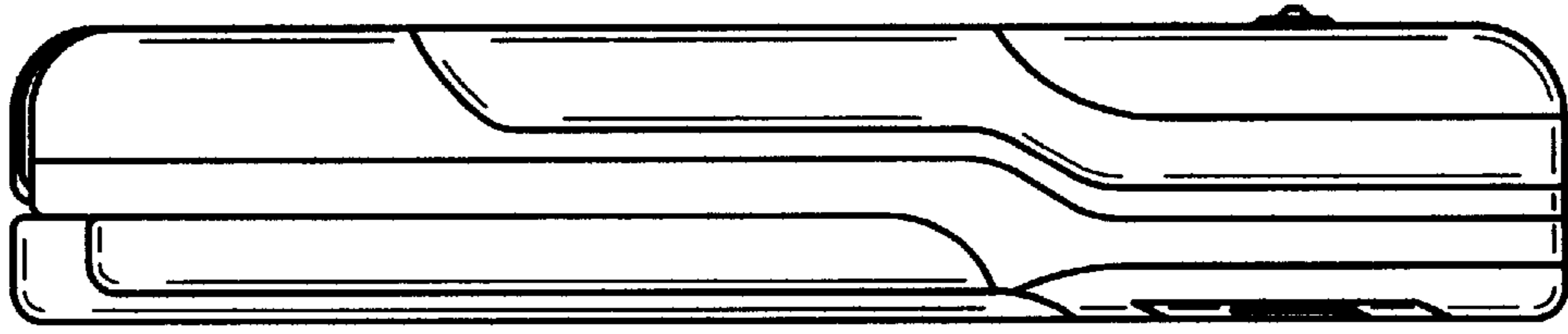


FIG. 5

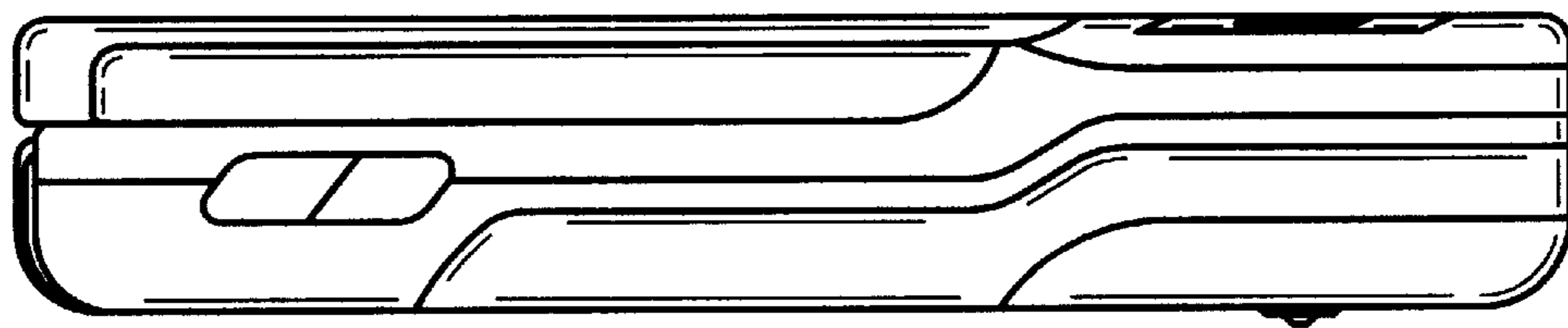


FIG. 4

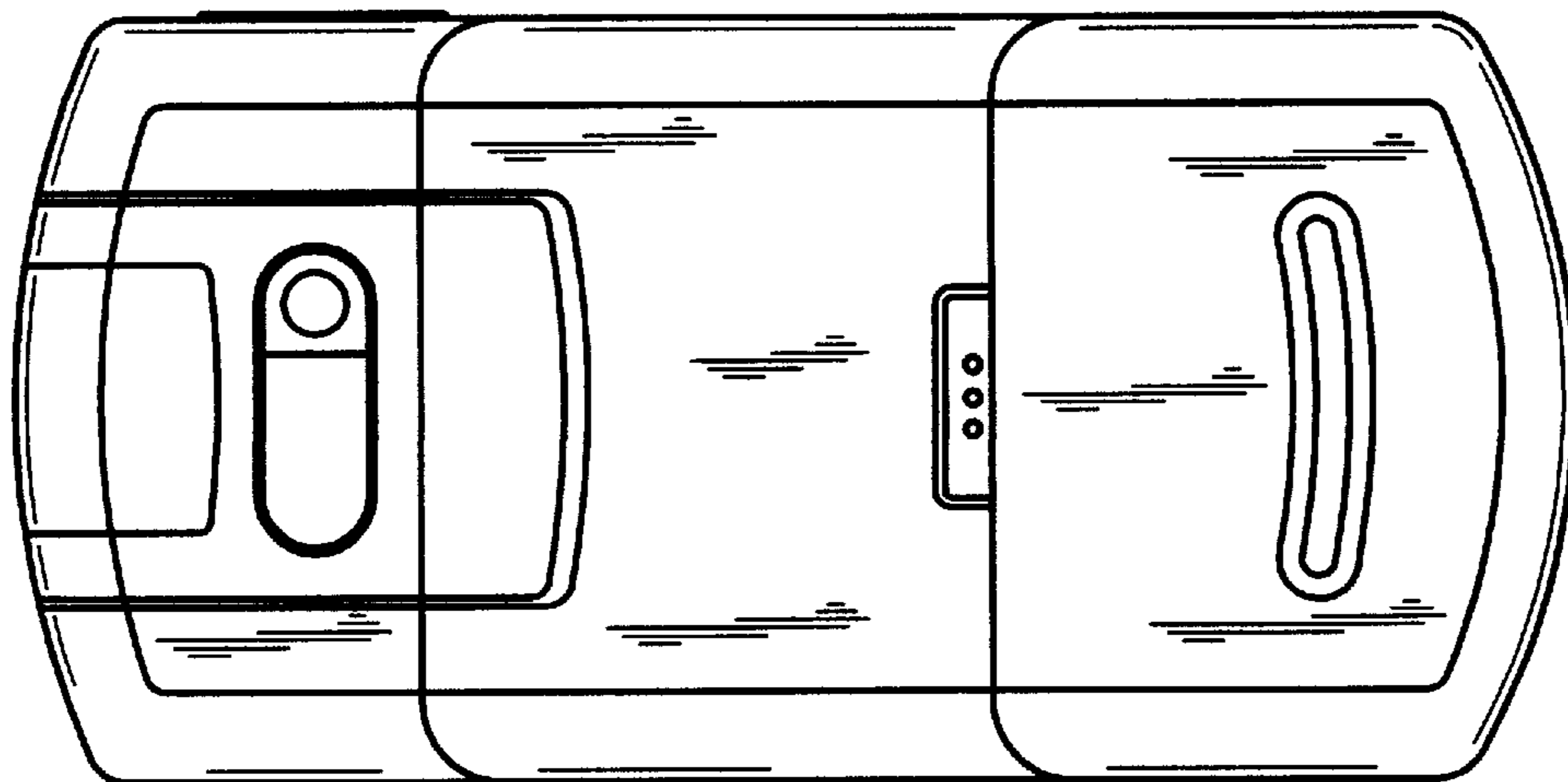


FIG. 3

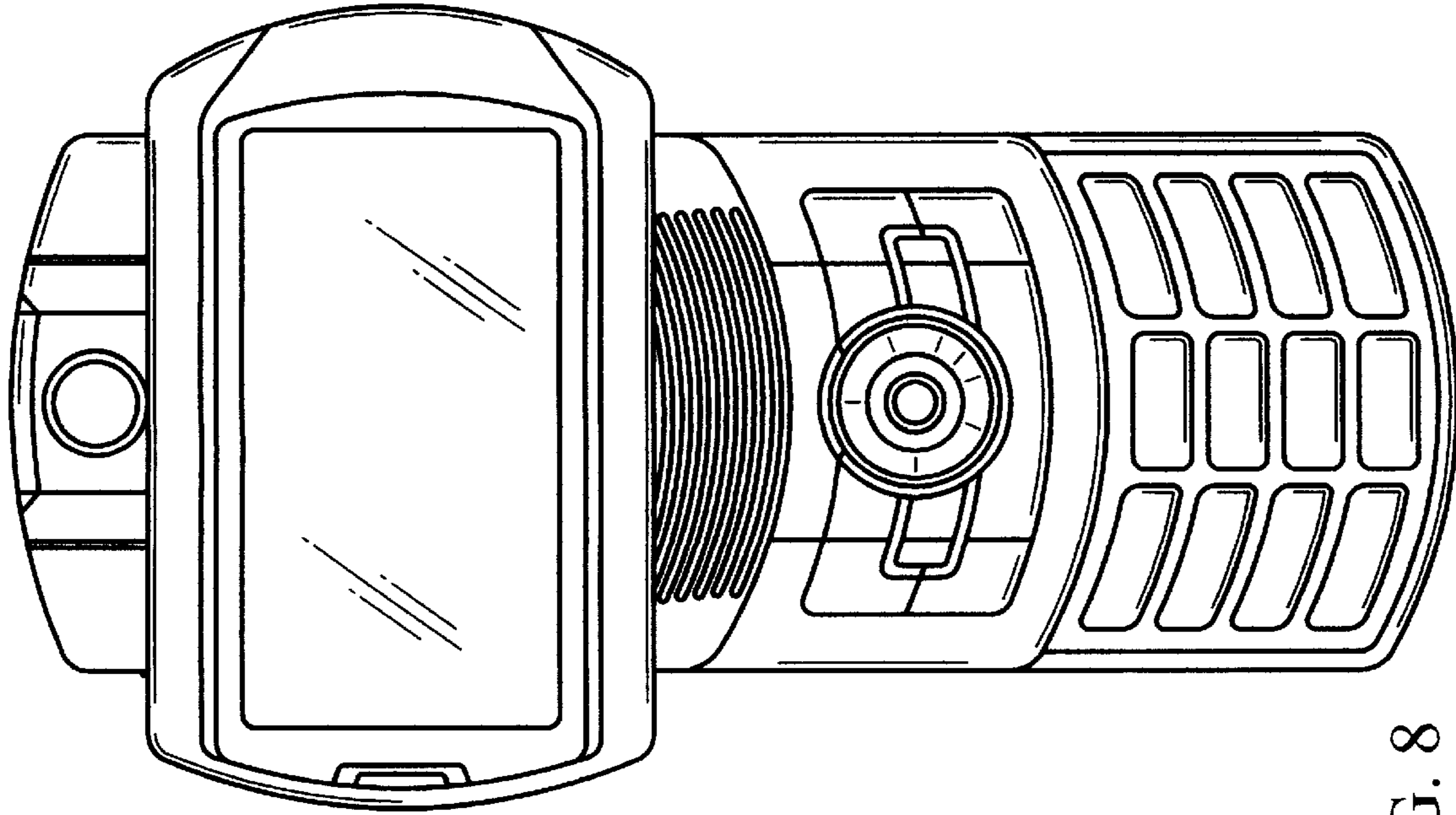


FIG. 8

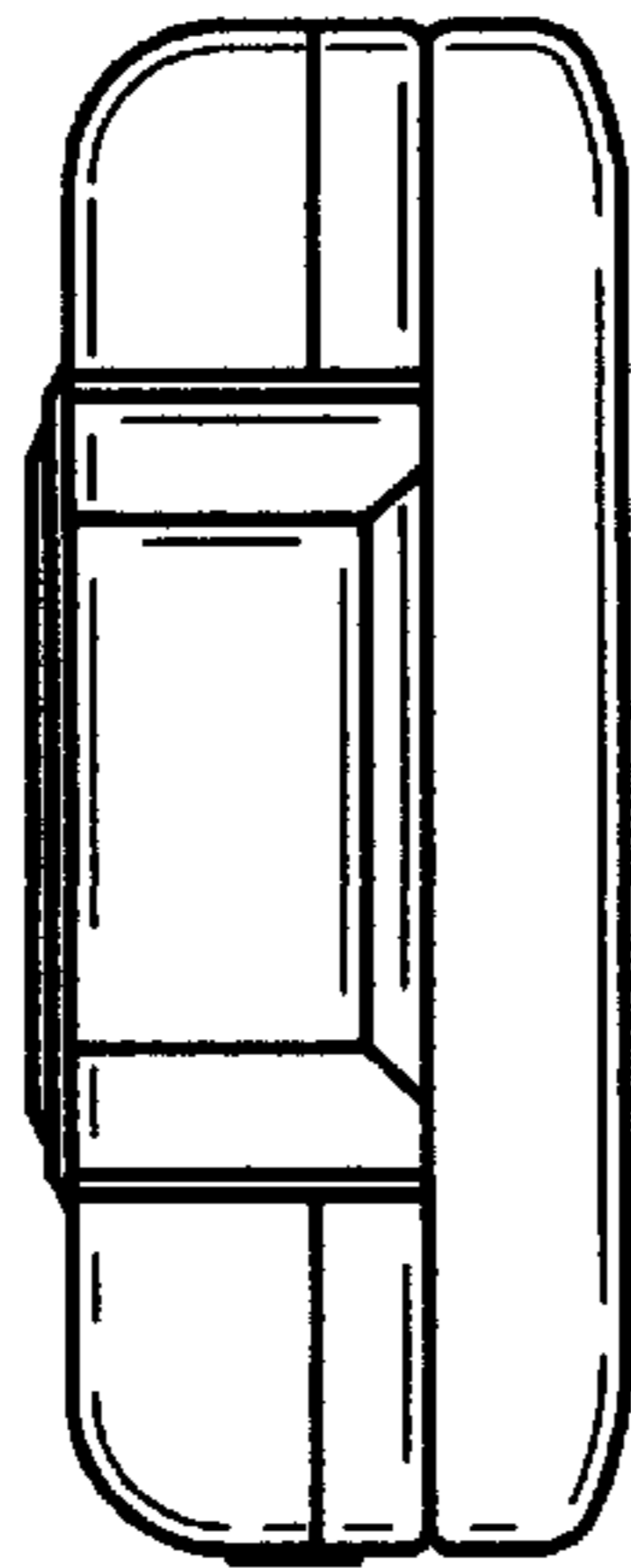


FIG. 6

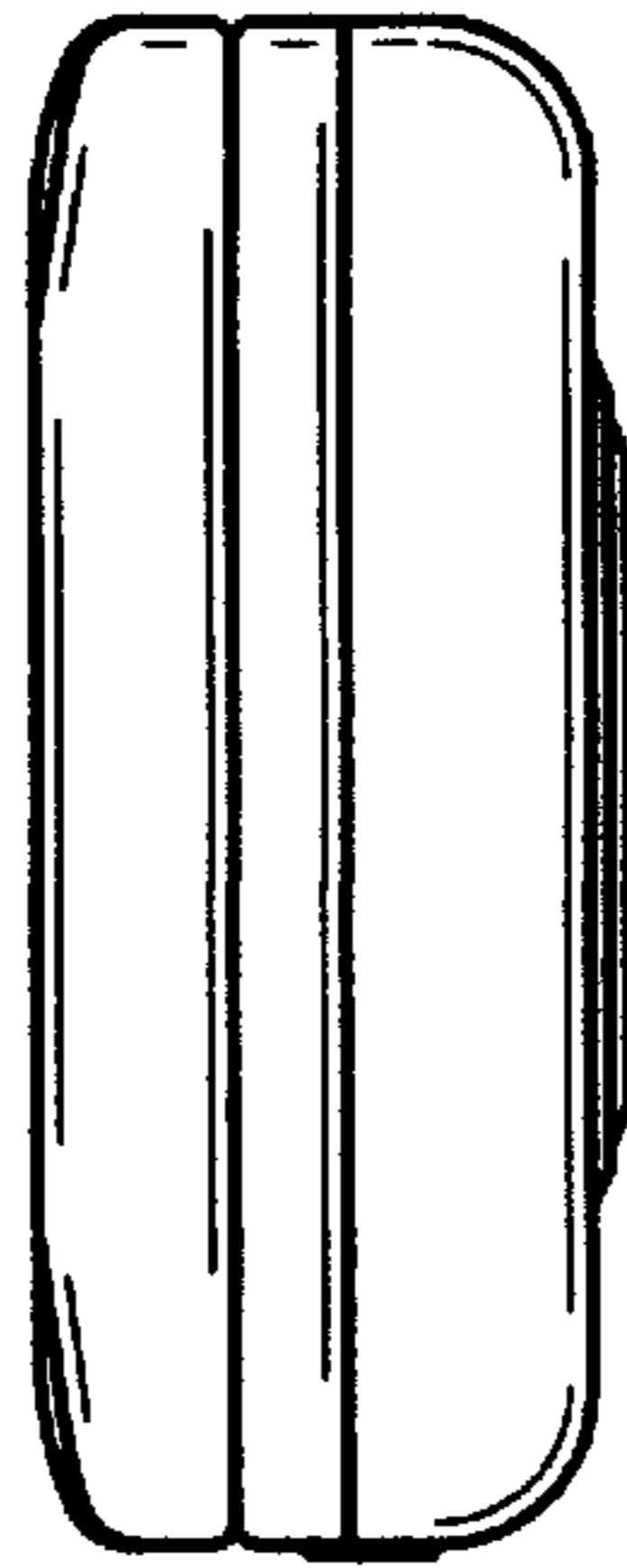


FIG. 7