

US00D533528S

(12) **United States Design Patent** (10) **Patent No.:** **US D533,528 S**  
**Krieger et al.** (45) **Date of Patent:** **\*\* Dec. 12, 2006**

(54) **TV, LANTERN, AM, FM, WEATHER ALERT RADIO**

(75) Inventors: **Michael Krieger**, Miami Beach, FL (US); **Kevin Ellsworth**, Hollywood, FL (US)

(73) Assignee: **Vector Products, Inc.**, Fort Lauderdale, FL (US)

(\*\*) Term: **14 Years**

(21) Appl. No.: **29/221,931**

(22) Filed: **Jan. 25, 2005**

(51) **LOC (8) Cl.** ..... **14-03**

(52) **U.S. Cl.** ..... **D14/129; D26/38**

(58) **Field of Classification Search** ..... D14/126, D14/130, 129, 131, 134; D26/37, 38, 39; 362/157, 158, 171; 348/825, 836, 838; 312/7.2  
See application file for complete search history.

(56) **References Cited**

**U.S. PATENT DOCUMENTS**

D294,698 S	3/1988	Yuen	
D320,210 S	9/1991	Mbuthia	
D320,600 S	10/1991	Yuen	
D354,054 S	* 1/1995	Shitama	..... D14/129
D364,869 S	12/1995	Lam	
D368,783 S	4/1996	Peersmann	
D371,356 S	* 7/1996	Maruyama	..... D14/129
D376,023 S	11/1996	Yuen	
D376,663 S	12/1996	Yuen	
D376,864 S	12/1996	Yuen	
D377,173 S	1/1997	Yuen	
D378,819 S	4/1997	Yuen	
D382,876 S	8/1997	Yuen	
D385,277 S	10/1997	Li	
D385,983 S	11/1997	Wan	
D388,785 S	1/1998	Yuen	
D410,099 S	5/1999	Lam	
D419,555 S	1/2000	Renk	
D423,127 S	4/2000	Yuen	
D425,640 S	5/2000	Yuen	
D426,659 S	6/2000	Lee	

D426,661 S	6/2000	Yuen	
D428,172 S	7/2000	Yuen	
D430,323 S	8/2000	Yuen	
D432,690 S	10/2000	Yuen	
D438,315 S	2/2001	Yuen	
D438,995 S	3/2001	Yuen	
D440,334 S	4/2001	Yuen	
D441,110 S	4/2001	Lam	
D468,038 S	12/2002	Poon	
D471,525 S	3/2003	Tse	
D473,960 S	4/2003	Yuen	
D474,552 S	5/2003	Poon	
D479,889 S	* 9/2003	Poon	..... D26/38
D480,823 S	* 10/2003	Yuen	..... D26/38
D483,137 S	* 12/2003	Yuen	..... D26/38
D484,626 S	* 12/2003	Hanselman et al.	..... D26/38
D485,383 S	* 1/2004	Hanselman et al.	..... D26/38
D488,140 S	* 4/2004	Hanselman et al.	..... D14/129
D498,316 S	* 11/2004	Yuen	..... D26/38

**OTHER PUBLICATIONS**

Bass Pro Shops Camping Catalog, 2003, p. 112, TV-Radio-Flashlight, found on Google Catalogs search engine.\*

\* cited by examiner

*Primary Examiner*—Philip S. Hyder

(74) *Attorney, Agent, or Firm*—Venable LLP; Robert Kinberg; Jeffri A. Kaminski

(57) **CLAIM**

The ornamental design for a TV, lantern, AM, FM, weather alert radio, as shown and described.

**DESCRIPTION**

FIG. 1 is a perspective view from the front-top-left side of the TV, lantern, AM, FM, weather alert radio showing our new design;

FIG. 2 is a front view of the design shown in FIG. 1;

FIG. 3 is a rear view of the design shown in FIG. 1;

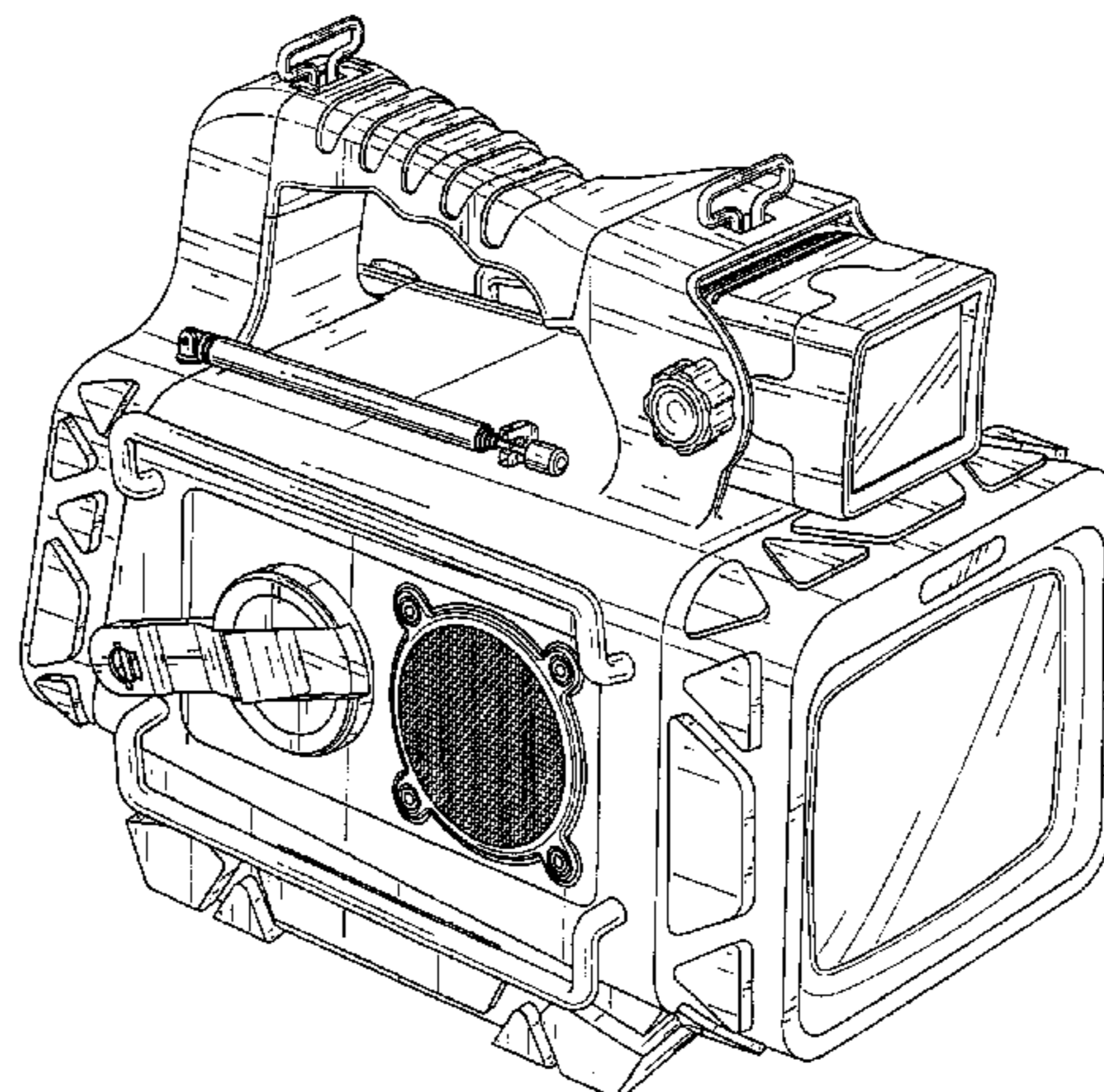
FIG. 4 is a left side view of the design shown in FIG. 1;

FIG. 5 is a right side view of the design shown in FIG. 1;

FIG. 6 is a top view of the design shown in FIG. 1; and,

FIG. 7 is a bottom view of the design shown in FIG. 1.

**1 Claim, 7 Drawing Sheets**



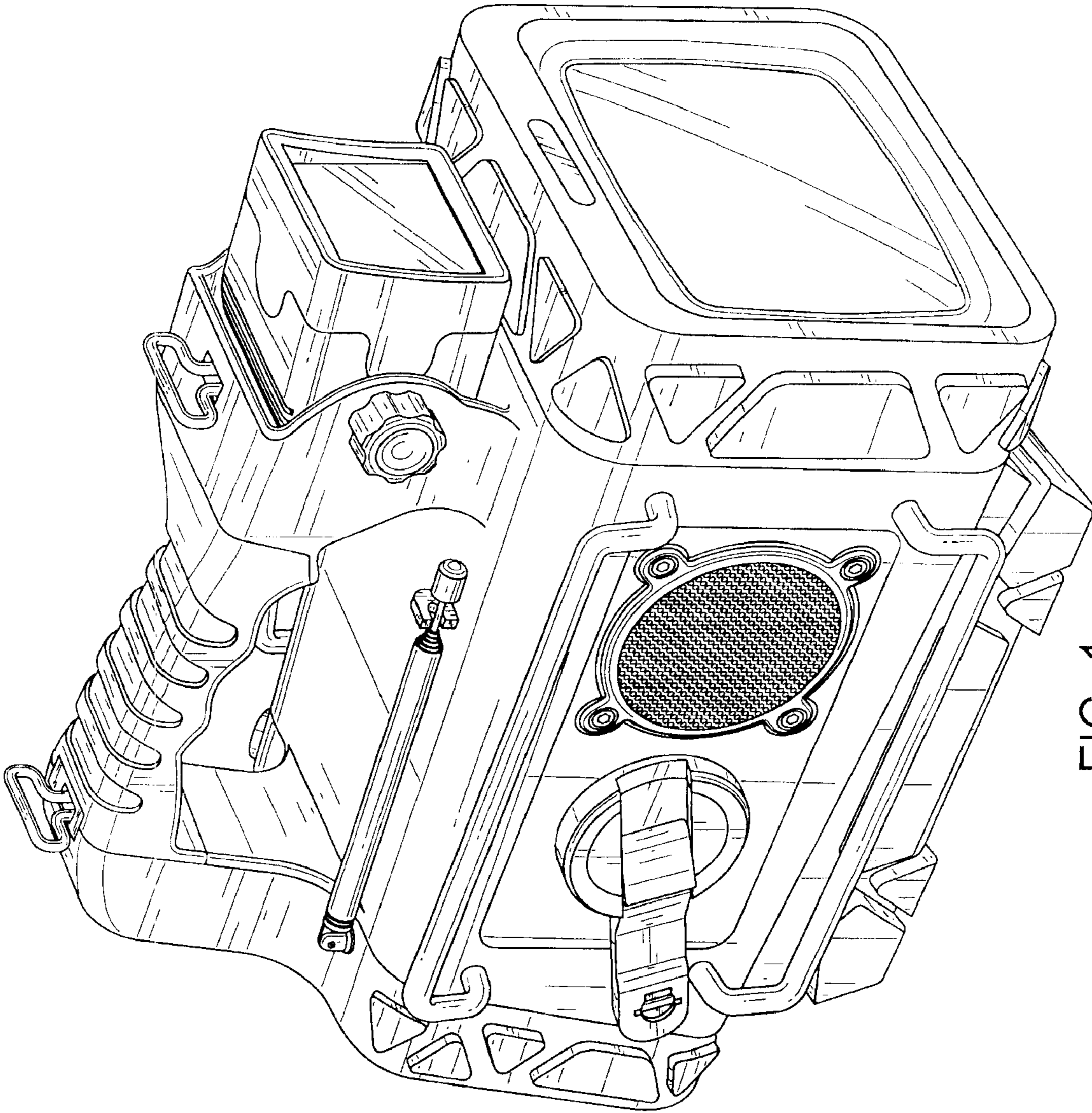


FIG. 1

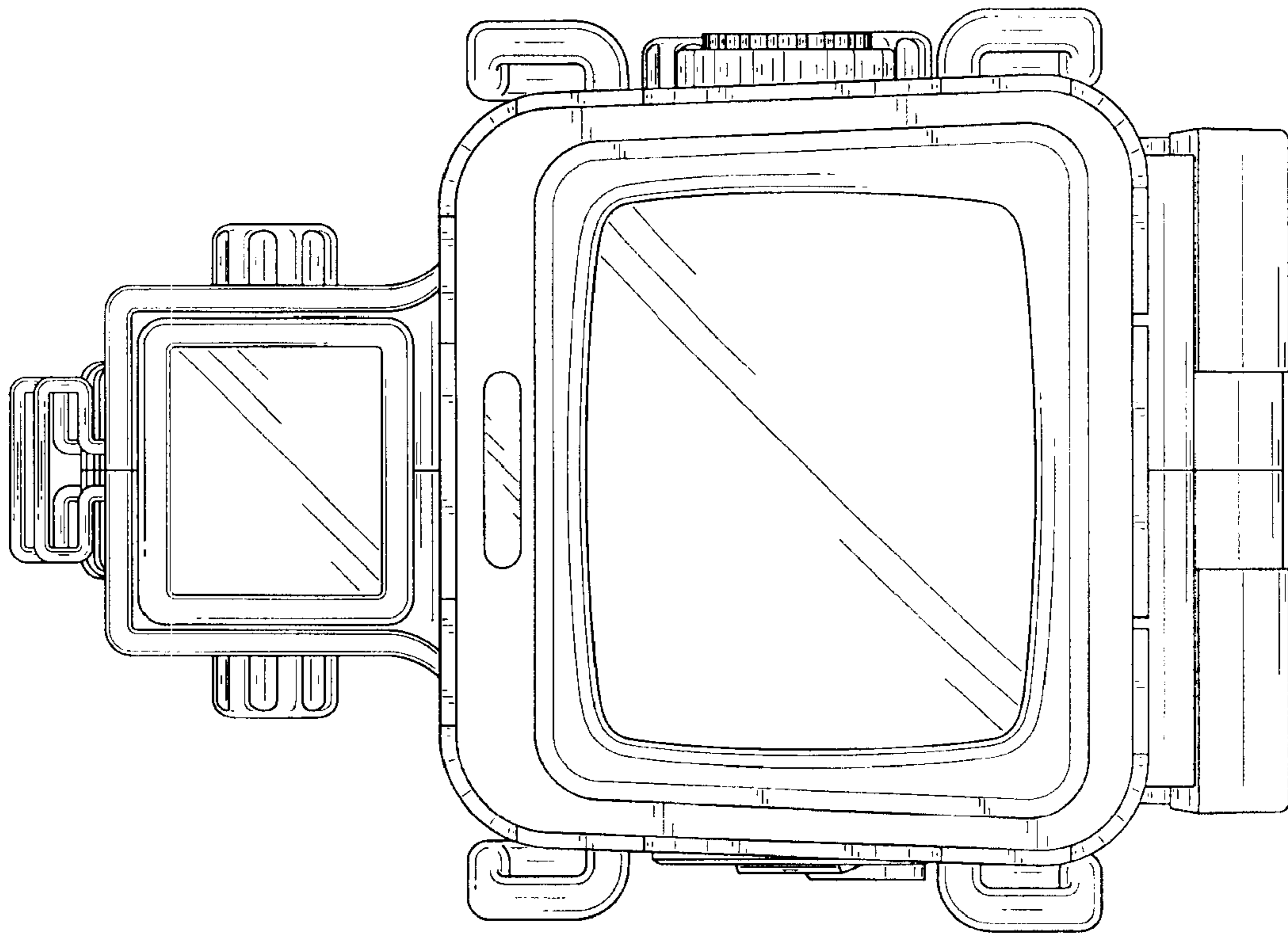


FIG. 2

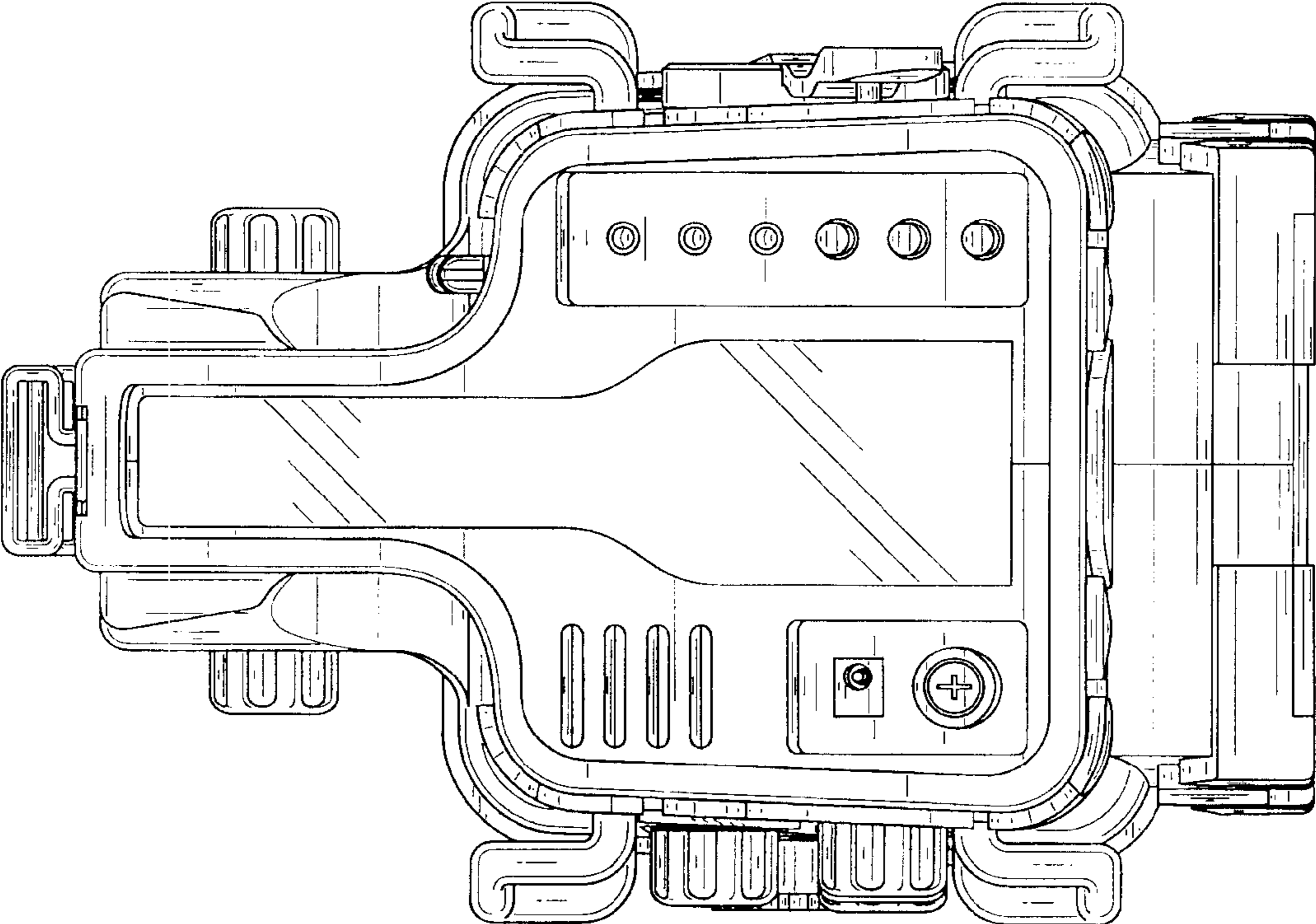


FIG. 3

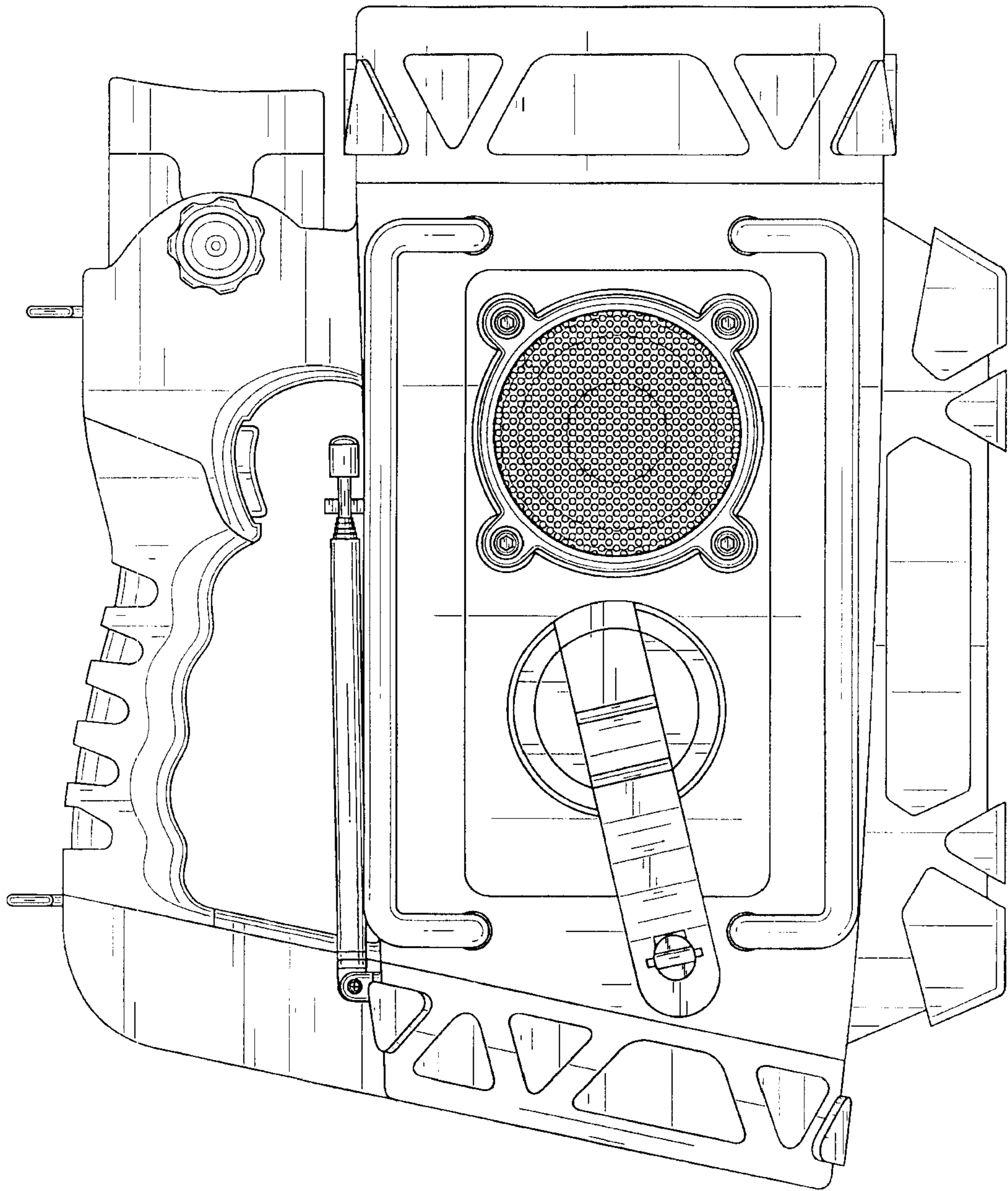


FIG. 4

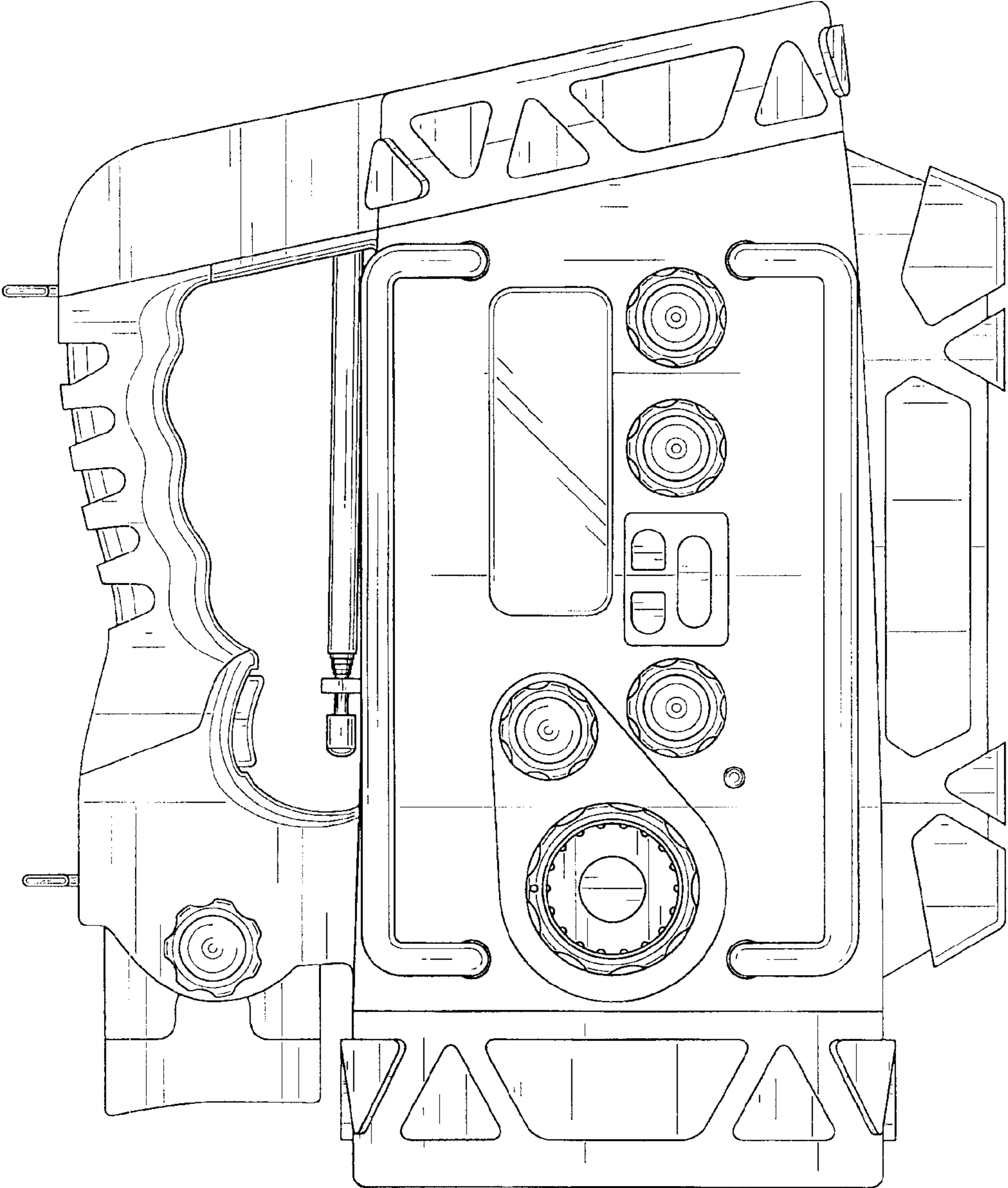


FIG. 5

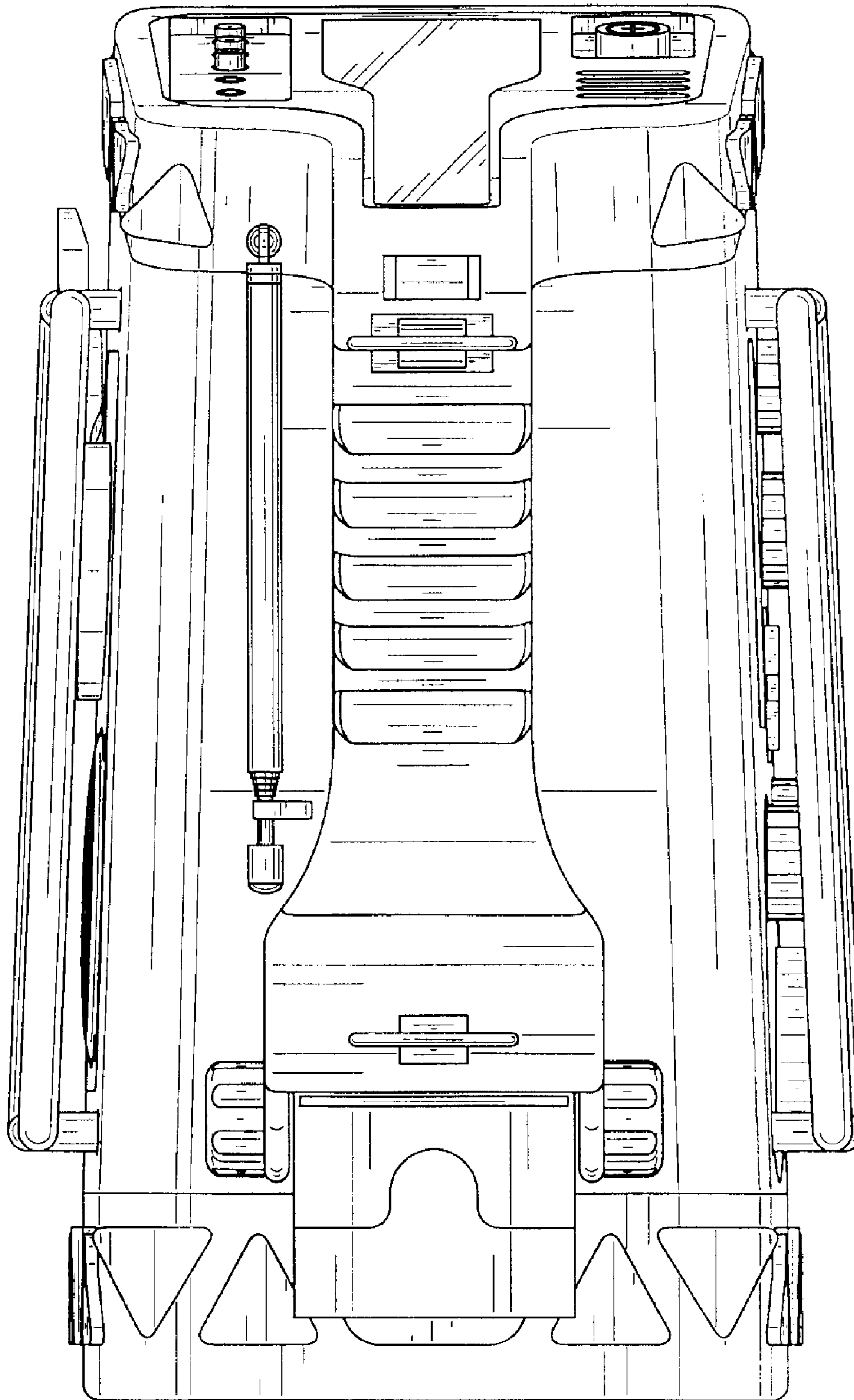


FIG. 6

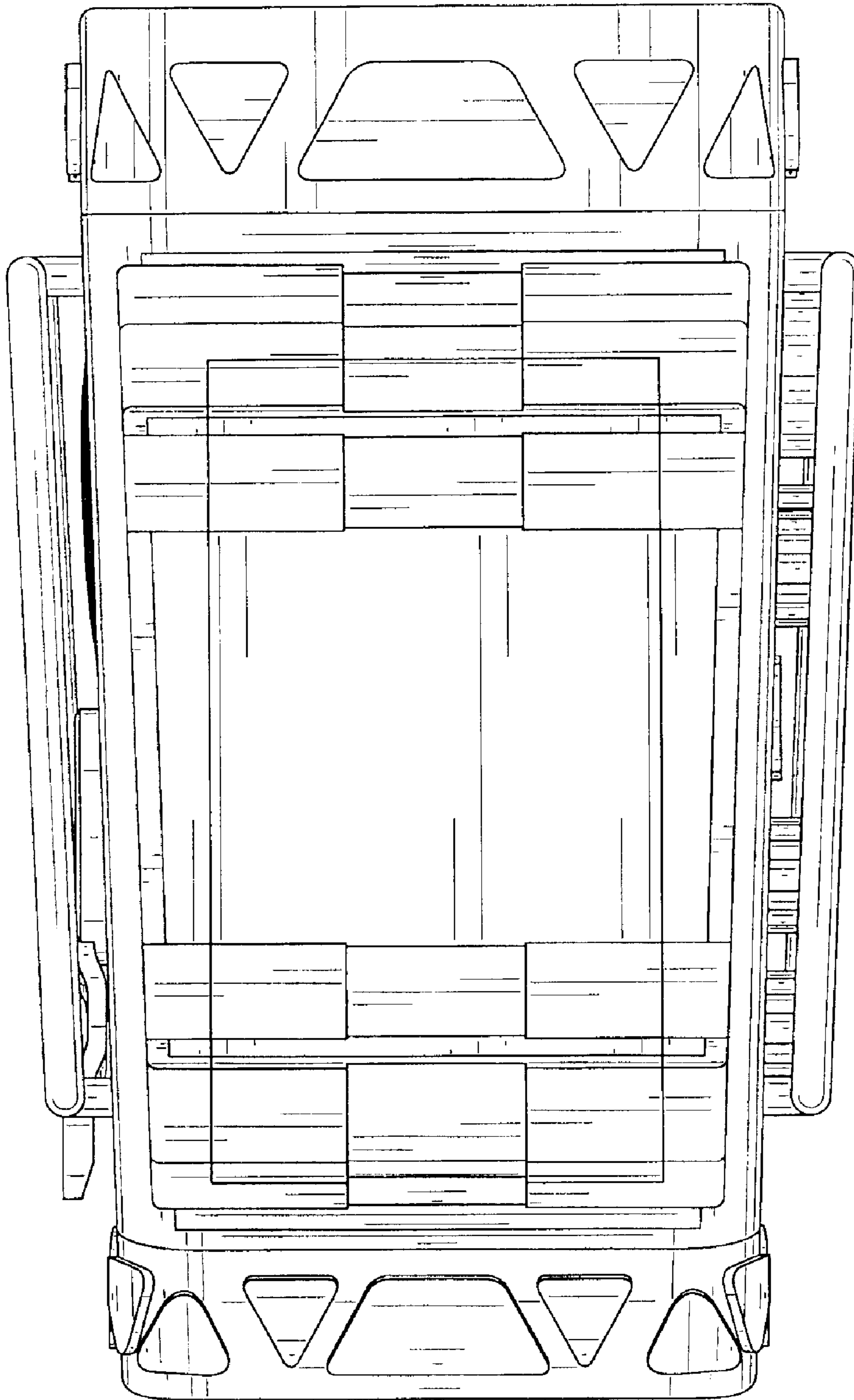


FIG. 7