



US00D533524S

(12) **United States Design Patent**
Ferguson

(10) **Patent No.:** **US D533,524 S**

(45) **Date of Patent:** **** Dec. 12, 2006**

(54) **DISPLAY SYSTEM**

(75) Inventor: **James L. Ferguson**, Menlo Park, CA (US)

(73) Assignee: **Ferguson Patent Properties LLC**, Menlo Park, CA (US)

(**) Term: **14 Years**

(21) Appl. No.: **29/217,344**

(22) Filed: **Nov. 16, 2004**

5,976,017 A	*	11/1999	Omori et al.	348/52
D428,864 S	*	8/2000	Rooyakkers et al.	D14/306
6,130,784 A		10/2000	Takahashi	
D438,206 S	*	2/2001	Joshi	D14/373
D440,543 S	*	4/2001	Kodimer	D14/127
6,212,068 B1	*	4/2001	Rooyakkers et al.	312/208.1
6,271,924 B1		8/2001	Ngoi et al.	
D455,427 S	*	4/2002	Vejbrink	D14/371
6,400,394 B1		6/2002	Kim et al.	
6,449,090 B1		9/2002	Omar et al.	
6,522,310 B1		2/2003	Kim	
6,593,957 B1	*	7/2003	Christie	348/42
D492,676 S	*	7/2004	Monson et al.	D14/306
6,765,640 B1		7/2004	Acosta et al.	

Related U.S. Application Data

(63) Continuation of application No. 10/721,968, filed on Nov. 24, 2003, which is a continuation-in-part of application No. 09/611,541, filed on Jul. 7, 2000, now Pat. No. 6,703,988.

(51) **LOC (8) Cl.** **14-03**

(52) **U.S. Cl.** **D14/127**

(58) **Field of Classification Search** D14/125-136, D14/371, 373, 375, 306, 327; 345/104, 133, 345/156, 168, 87, 173, 9; 348/180, 184, 325, 348/739, 789, 42, 52; 248/917-924; 349/1, 349/2, 62; 341/12; 312/7.2, 208.1
See application file for complete search history.

FOREIGN PATENT DOCUMENTS

EP	0 505 998 A2	9/1992
ES	2024269	2/1992

* cited by examiner

Primary Examiner—Raphael Barkai

(74) *Attorney, Agent, or Firm*—Renner, Otto, Boisselle & Sklar, LLP

(57)

CLAIM

I claim the ornamental design for a display system, as shown and described.

DESCRIPTION

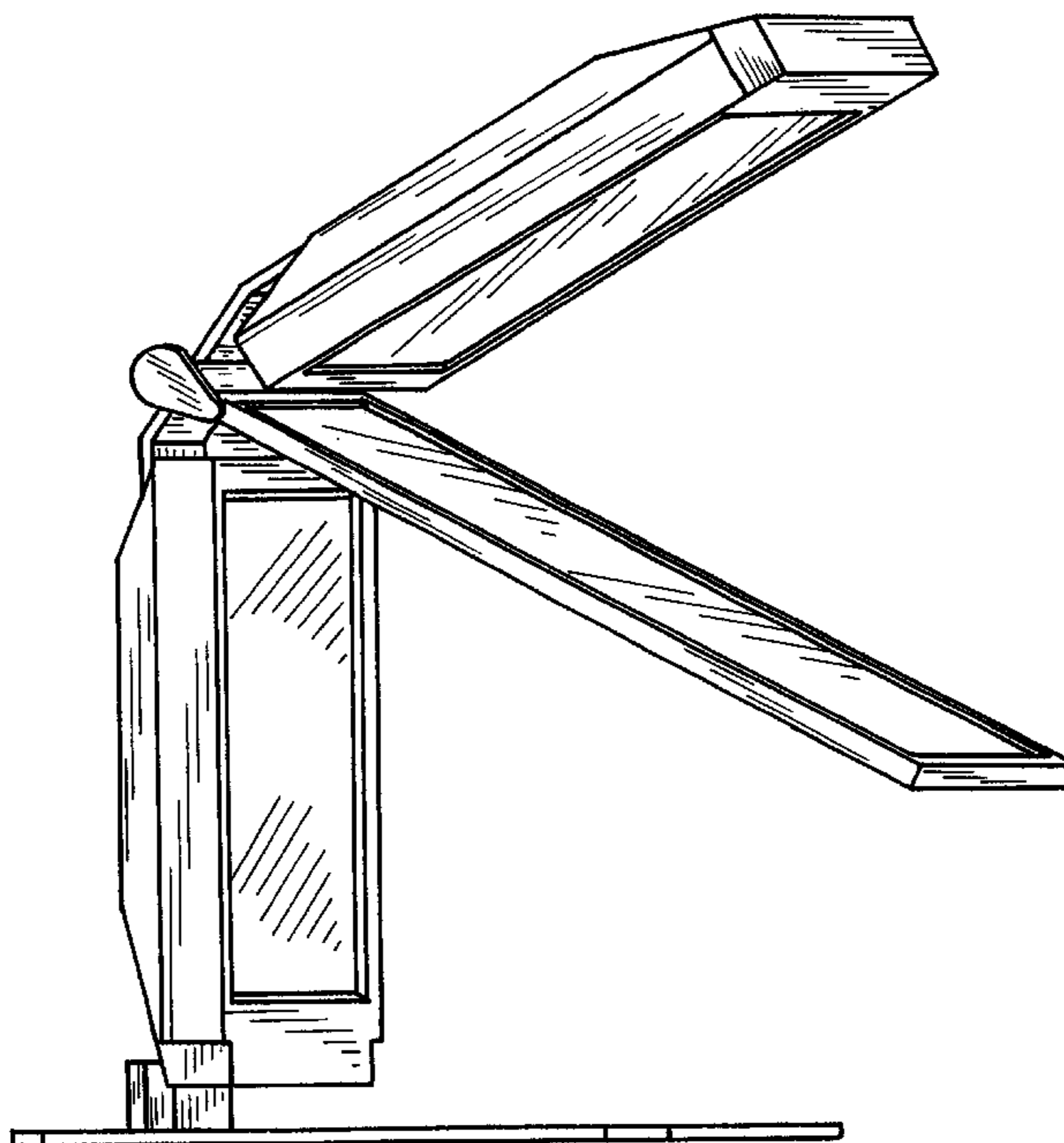
FIG. 1 is a front perspective view of a display system showing my new design; FIG. 2 is a front view of the display system; and, FIG. 3 is a right side view of the display system, the left side view being a mirror image thereof. The broken lines shown in FIGS. 1-3 are for illustrative purposes only and form no part of the claimed design.

1 Claim, 3 Drawing Sheets

(56) **References Cited**

U.S. PATENT DOCUMENTS

2,845,618 A	7/1958	Huffman	
5,421,589 A	* 6/1995	Monroe	345/9
5,598,282 A	1/1997	DeGroof	
5,644,427 A	7/1997	Omori et al.	
D385,533 S	* 10/1997	Adams	D14/327
5,777,665 A	7/1998	McNelley et al.	
D415,124 S	* 10/1999	Rooyakkers et al.	D14/306



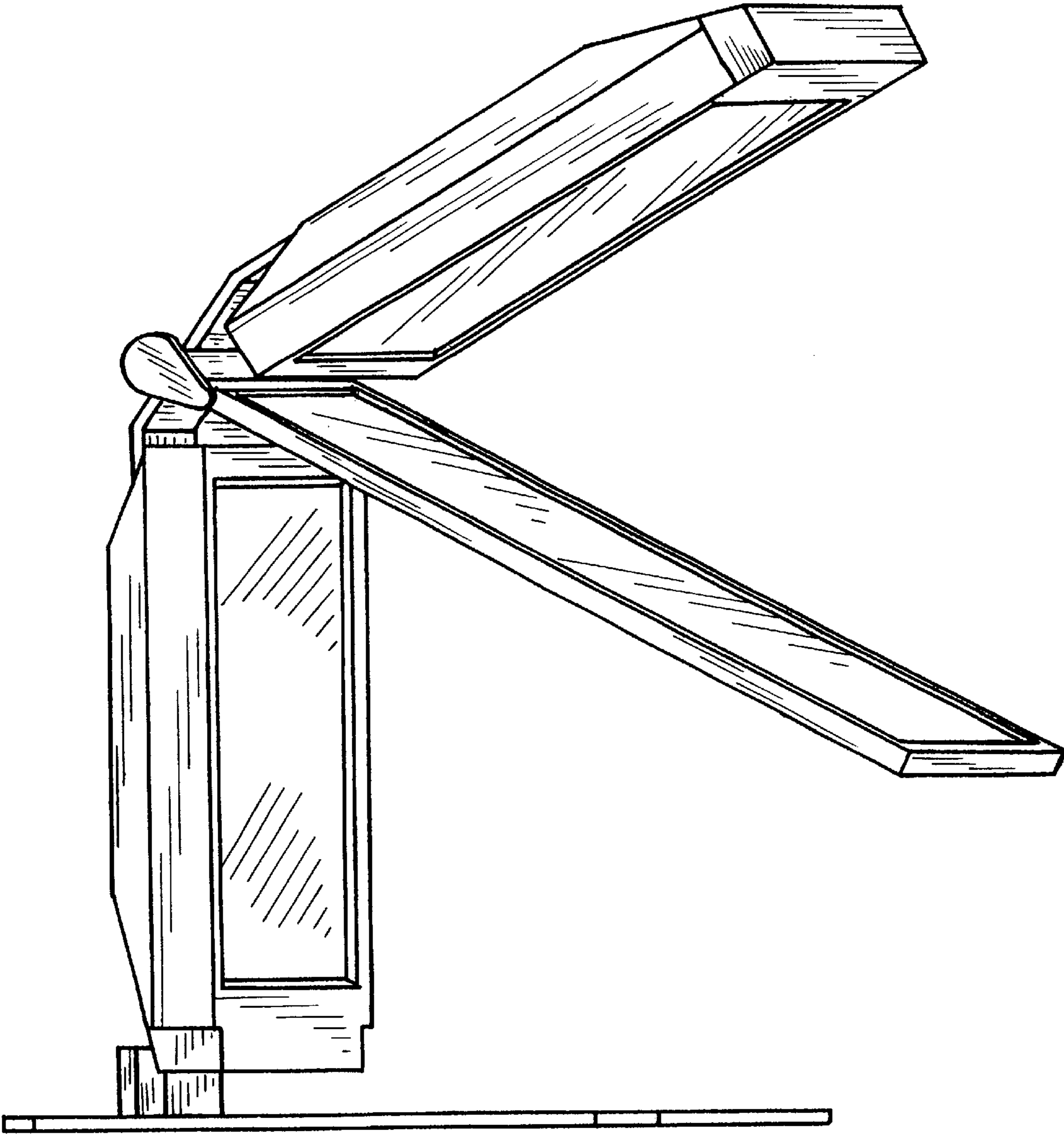


FIG. 1

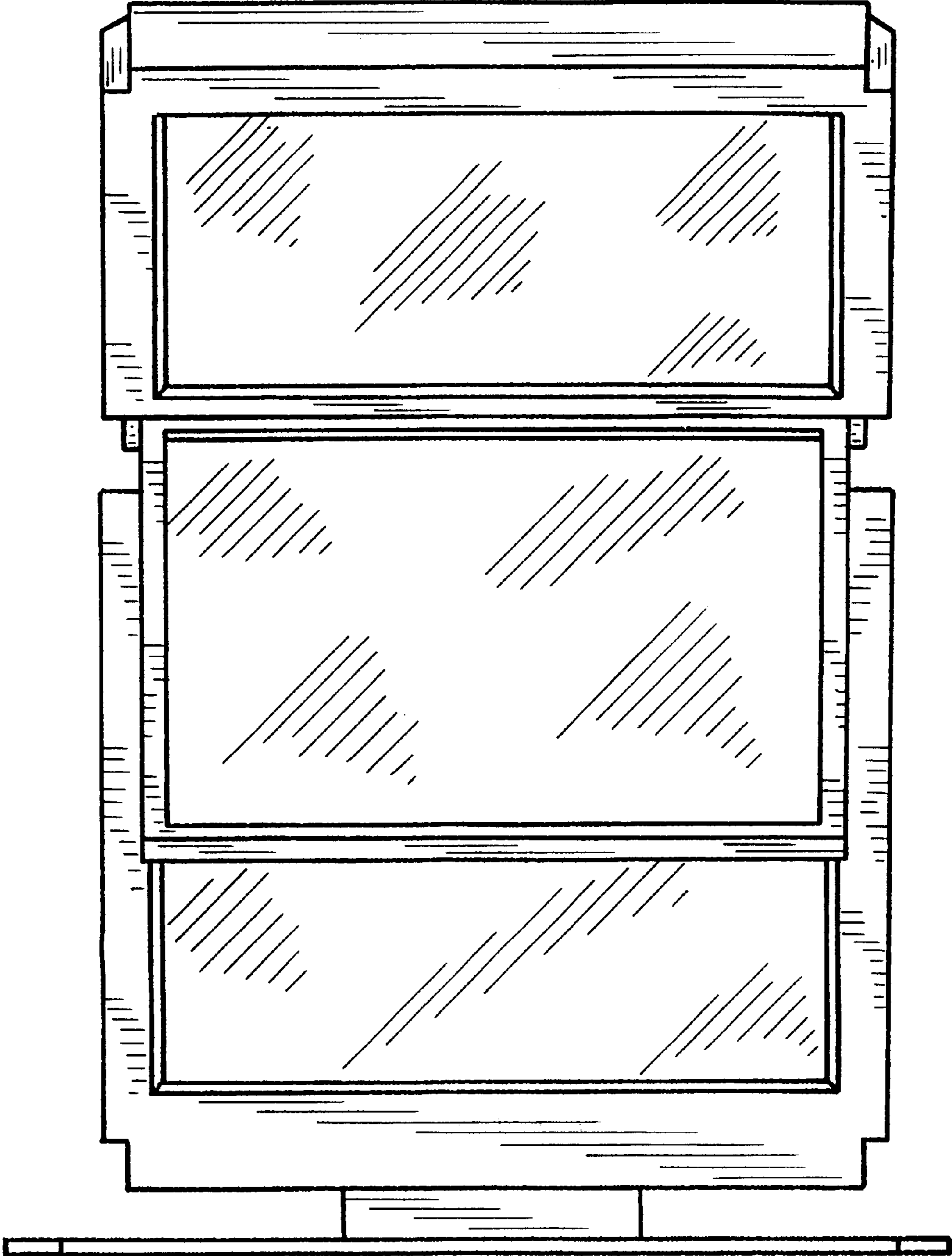


FIG. 2

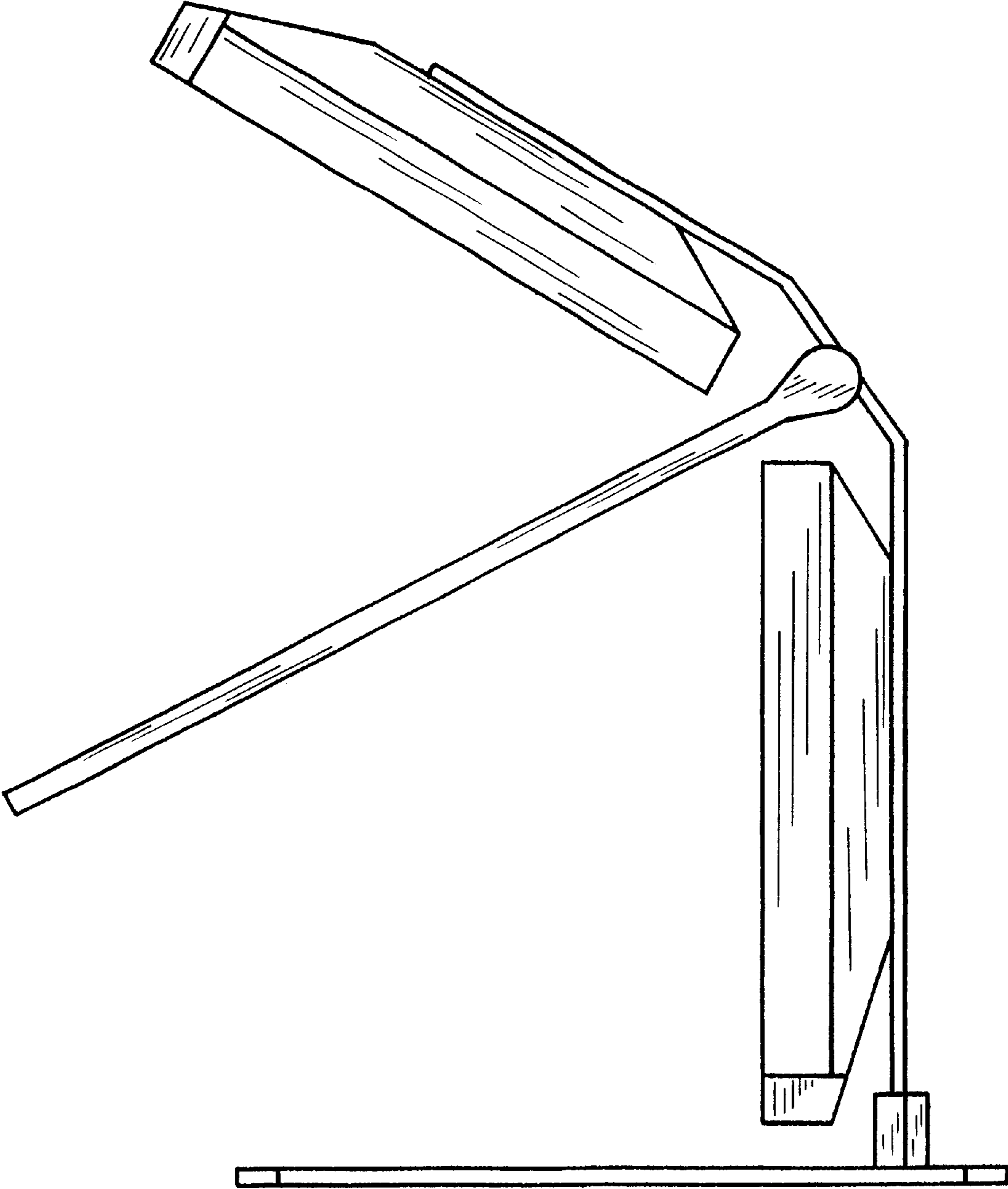


FIG. 3

UNITED STATES PATENT AND TRADEMARK OFFICE
CERTIFICATE OF CORRECTION

PATENT NO. : Des. 533,524 S
APPLICATION NO. : 29/217344
DATED : December 12, 2006
INVENTOR(S) : James L. Ferguson

Page 1 of 2

It is certified that error appears in the above-identified patent and that said Letters Patent is hereby corrected as shown below:

On Title page

Related U.S. Application Data item (63), add to the end of the field: --which claims the benefit of application No. 60/142,752, filed Jul. 8, 1999.--

Replace Figure 1 with the following:

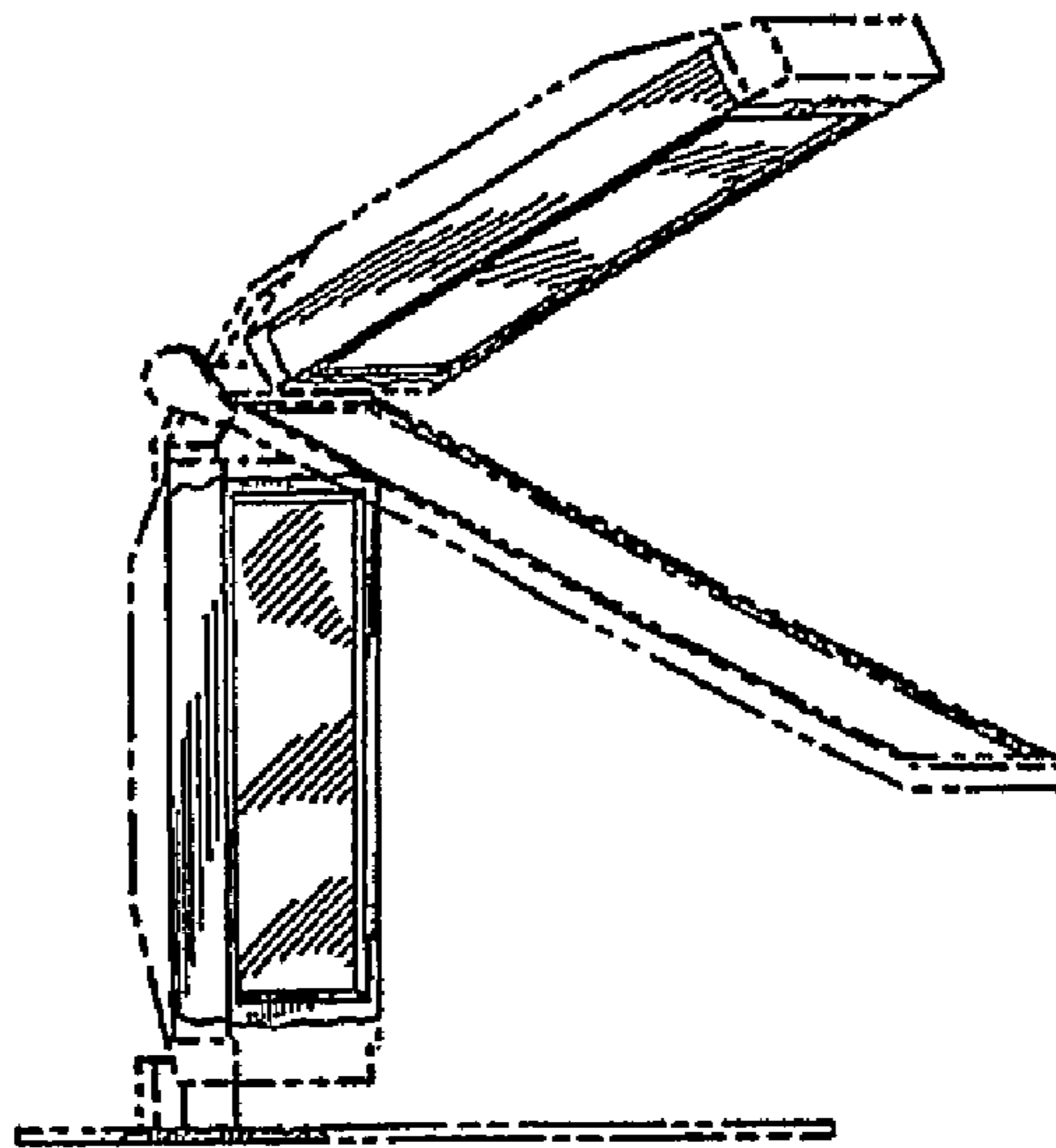


FIG. 1

Replace Figure 2 with the following:

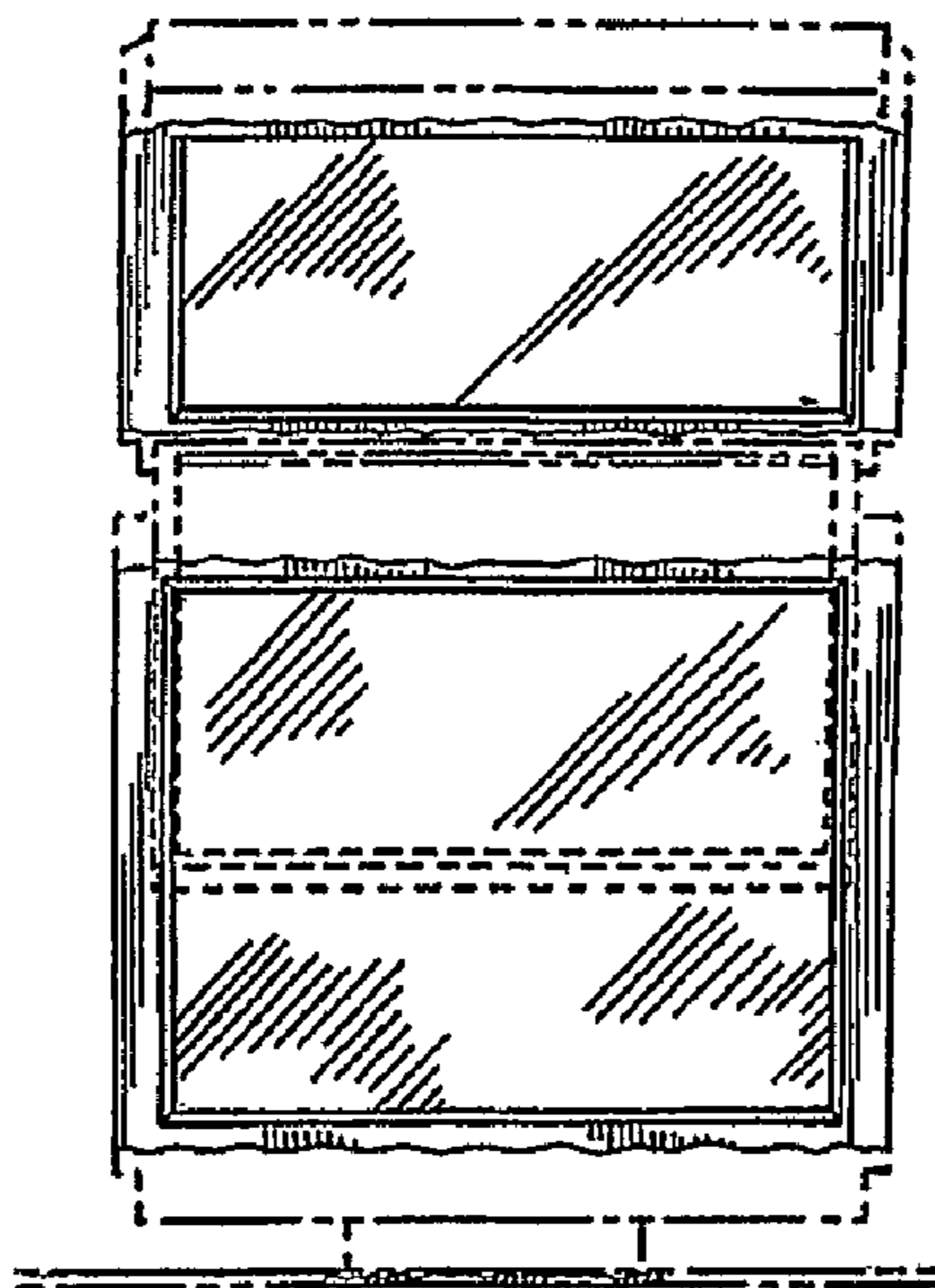


FIG. 2

UNITED STATES PATENT AND TRADEMARK OFFICE
CERTIFICATE OF CORRECTION

PATENT NO. : Des. 533,524 S
APPLICATION NO. : 29/217344
DATED : December 12, 2006
INVENTOR(S) : James L. Fergason

Page 2 of 2

It is certified that error appears in the above-identified patent and that said Letters Patent is hereby corrected as shown below:

Replace Figure 3 with the following:

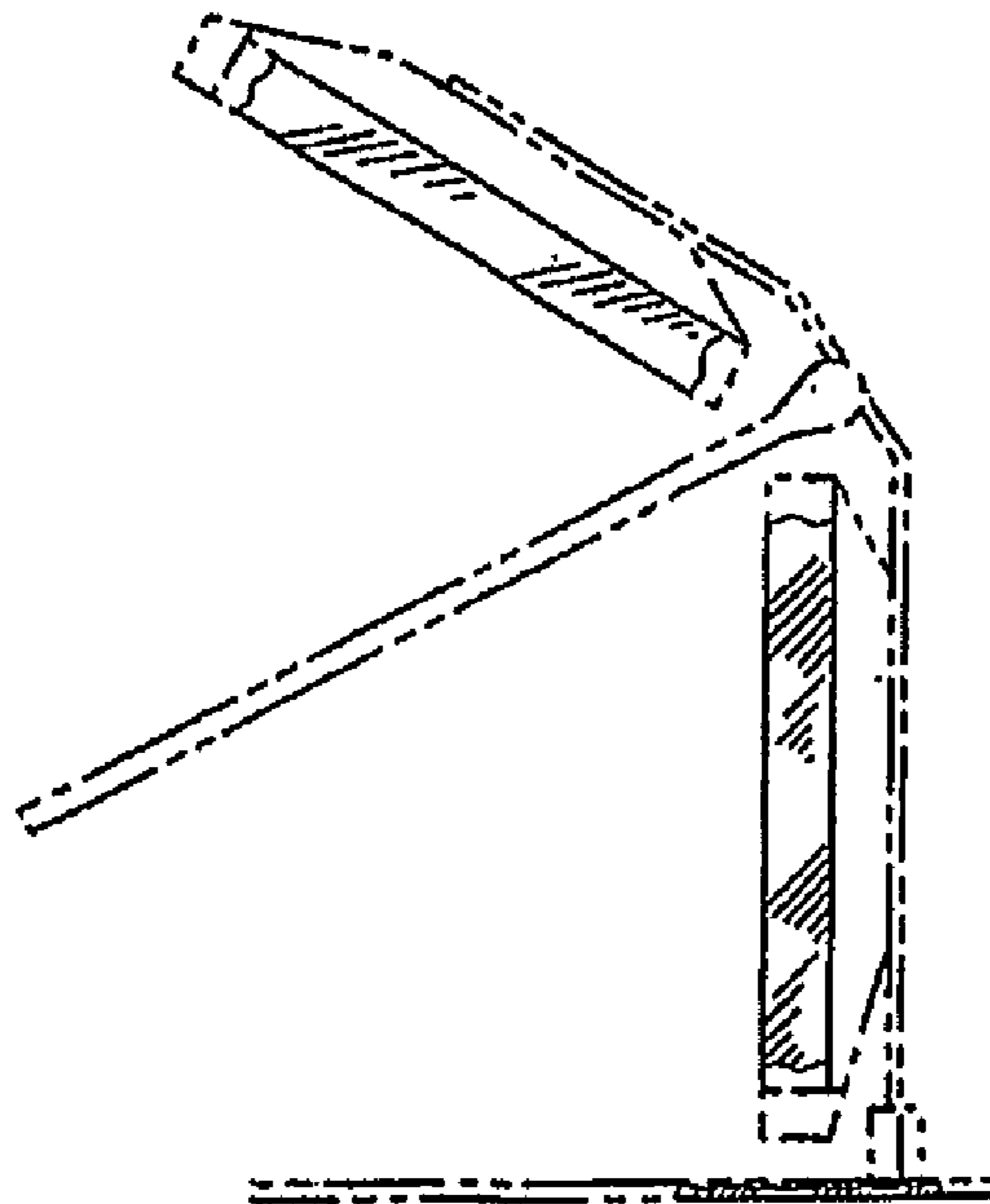


FIG. 3

Signed and Sealed this

Seventeenth Day of July, 2007

A handwritten signature in black ink, reading "Jon W. Dudas". The signature is written in a cursive style with a large, looped initial "J". The signature is set against a background of a fine, dotted grid.

JON W. DUDAS

Director of the United States Patent and Trademark Office