



US00D533520S

(12) **United States Design Patent**  
**Reza et al.**

(10) **Patent No.:** **US D533,520 S**

(45) **Date of Patent:** **\*\* Dec. 12, 2006**

(54) **TELEVISION SET**

D480,083 S \* 9/2003 Borsboom et al. .... D14/371  
D519,951 S \* 5/2006 Hoehn et al. .... D14/126

(75) Inventors: **Ana Reza**, Sunnyvale, CA (US); **John Brock**, Sunnyvale, CA (US)

**OTHER PUBLICATIONS**

The International Design Magazine, p. 105, Jul. 1999.\*

\* cited by examiner

(73) Assignee: **Hannspree, Inc.**, Taipei (TW)

*Primary Examiner*—Raphael Barkai

(\*\*) Term: **14 Years**

(74) *Attorney, Agent, or Firm*—Bacon & Thomas

(21) Appl. No.: **29/230,647**

(57) **CLAIM**

(22) Filed: **May 25, 2005**

The ornamental design for the television set, as shown and described.

(30) **Foreign Application Priority Data**

Dec. 15, 2004 (TW) ..... 93307721

**DESCRIPTION**

(51) **LOC (8) Cl.** ..... **14-03**

FIG. 1 is a perspective view of a television set showing our new design;

(52) **U.S. Cl.** ..... **D14/126**

FIG. 2 is a front view thereof;

(58) **Field of Classification Search** ..... D14/125–134,  
D14/239, 371, 136, 374–377; 312/7.2; 348/836,  
348/838, 180, 184, 325, 739; 341/12; 248/917–924,  
248/465; 345/104, 133, 156, 168, 87, 173;  
720/605, 669, 600, 655; 369/99, 197; 455/344–347  
See application file for complete search history.

FIG. 3 is a rear view thereof;

FIG. 4 is a left side view thereof;

FIG. 5 is a right side view thereof;

FIG. 6 is a top plan view thereof;

FIG. 7 is a bottom plan view thereof;

FIG. 8 is a perspective view illustrating an alternate position, placing the television set on a couch; and,

FIG. 9 is a perspective view illustrating an alternate position, folding up the television set.

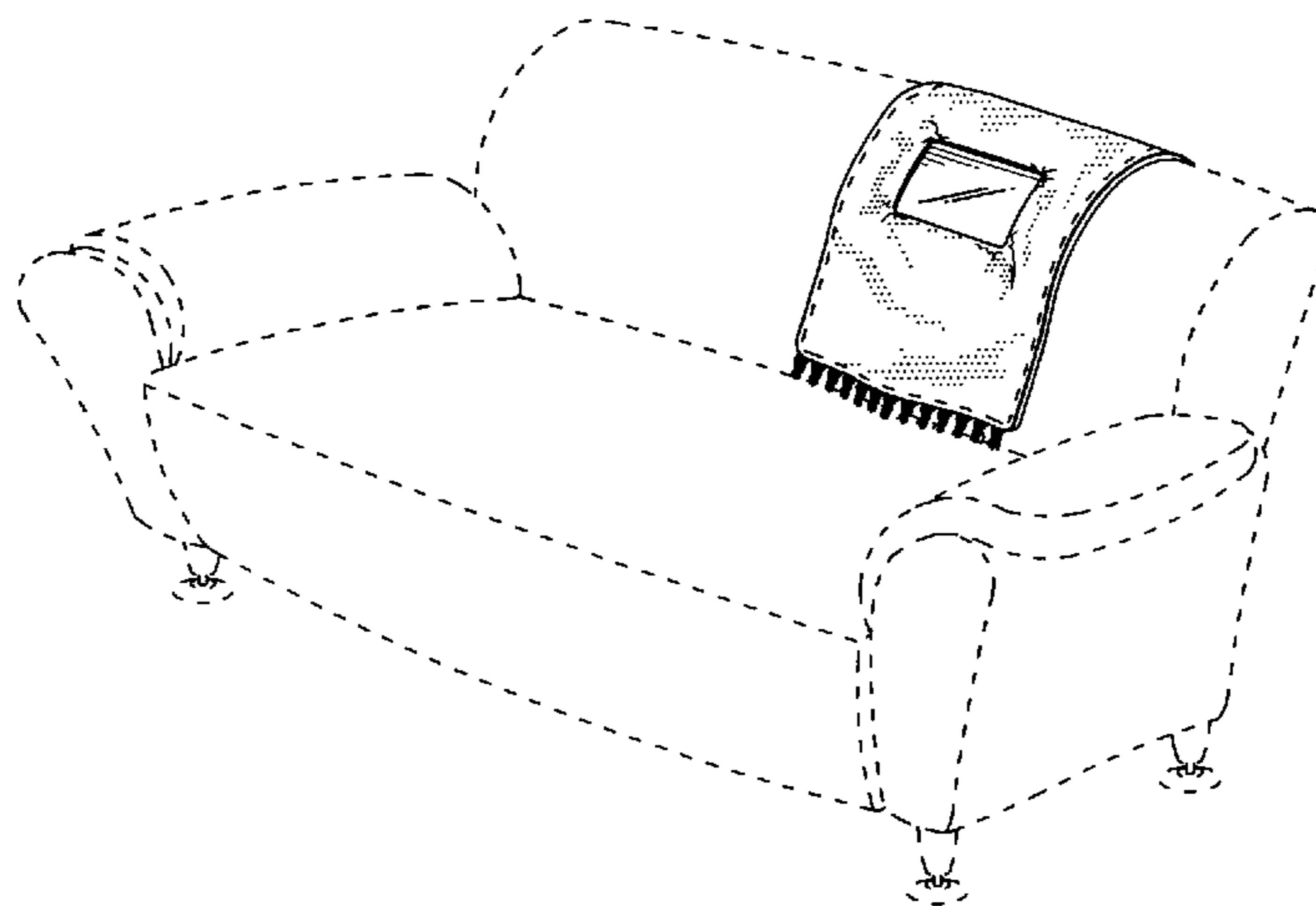
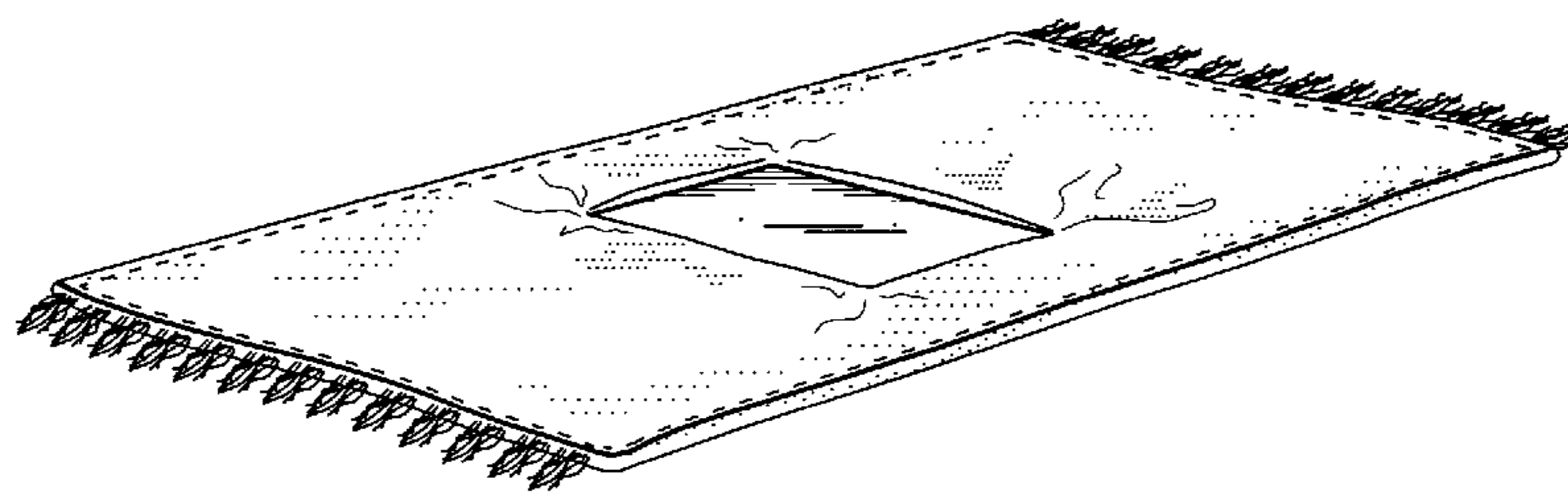
The broken lines shown in FIG. 8 are for illustrative purposes only and form no part of the claimed design.

(56) **References Cited**

**U.S. PATENT DOCUMENTS**

D395,453 S \* 6/1998 Kawasaki et al. .... D20/10  
D430,117 S \* 8/2000 Sachs et al. .... D14/327  
D449,606 S \* 10/2001 Lee et al. .... D14/345  
D465,489 S \* 11/2002 Farber ..... D14/374  
D473,864 S \* 4/2003 Tsukuda ..... D14/345

**1 Claim, 5 Drawing Sheets**



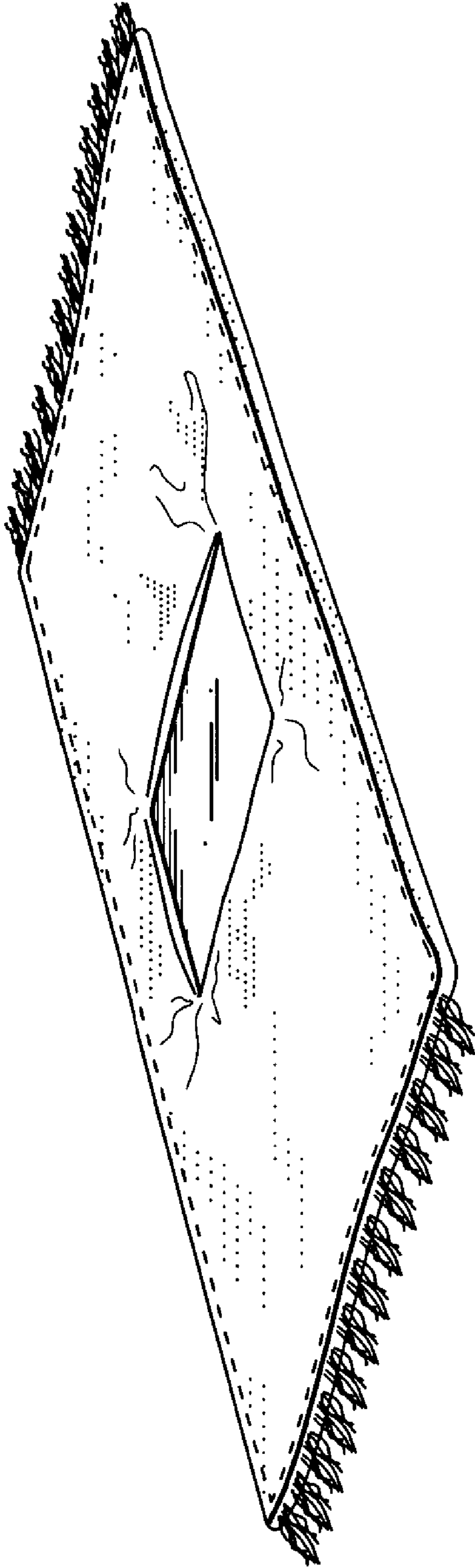


FIG. 1

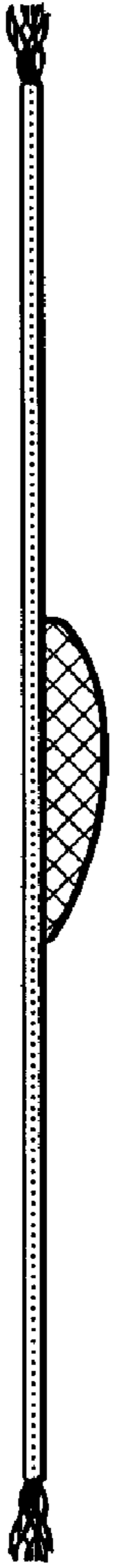


FIG. 2

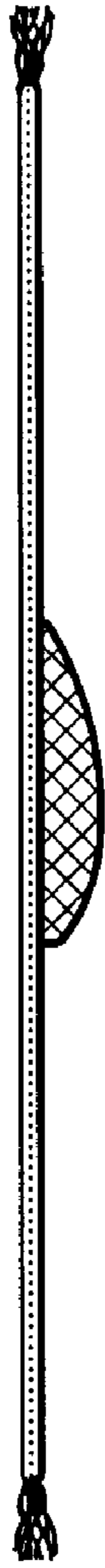


FIG. 3



FIG. 4



FIG. 5

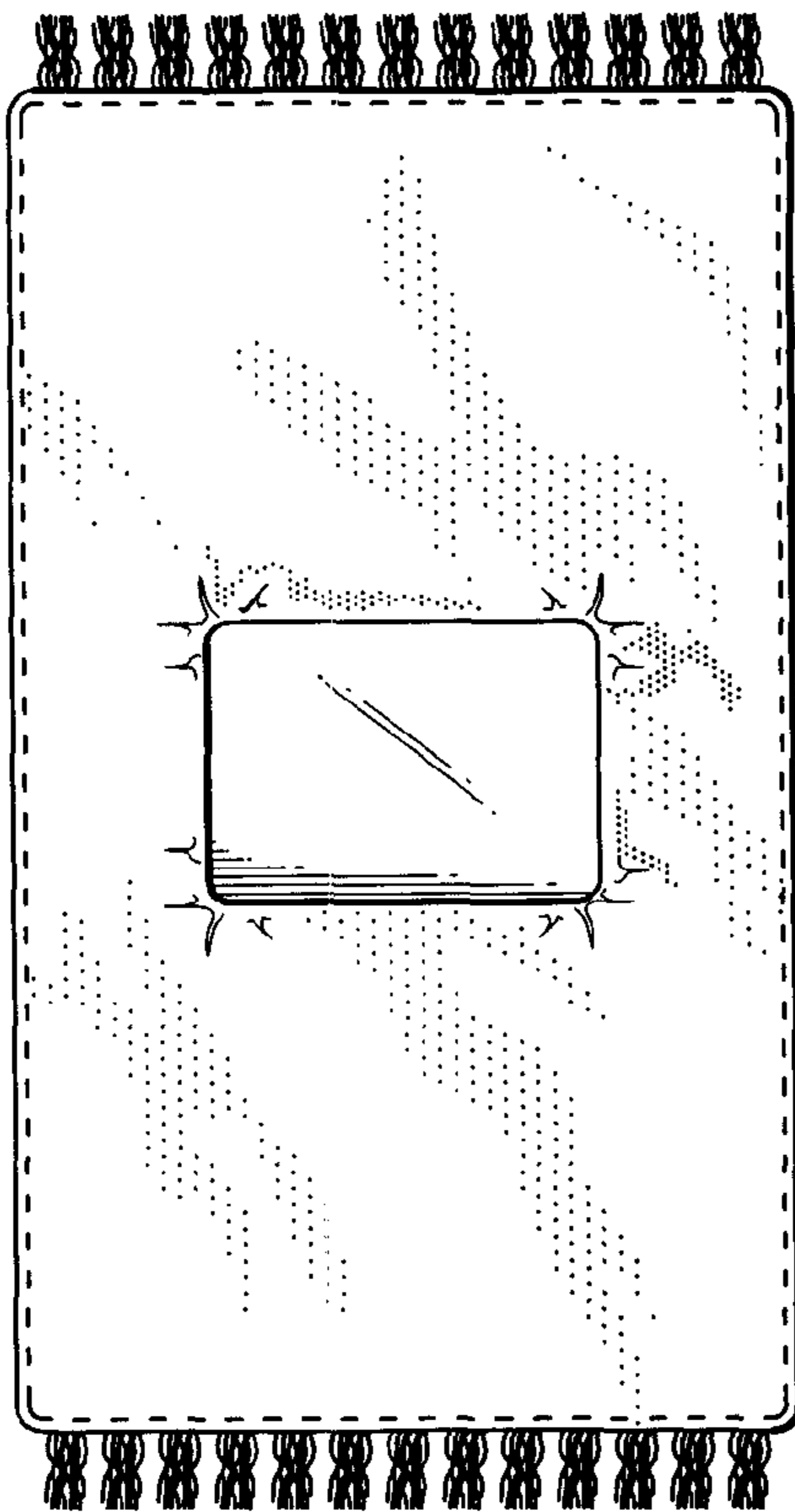


FIG. 6

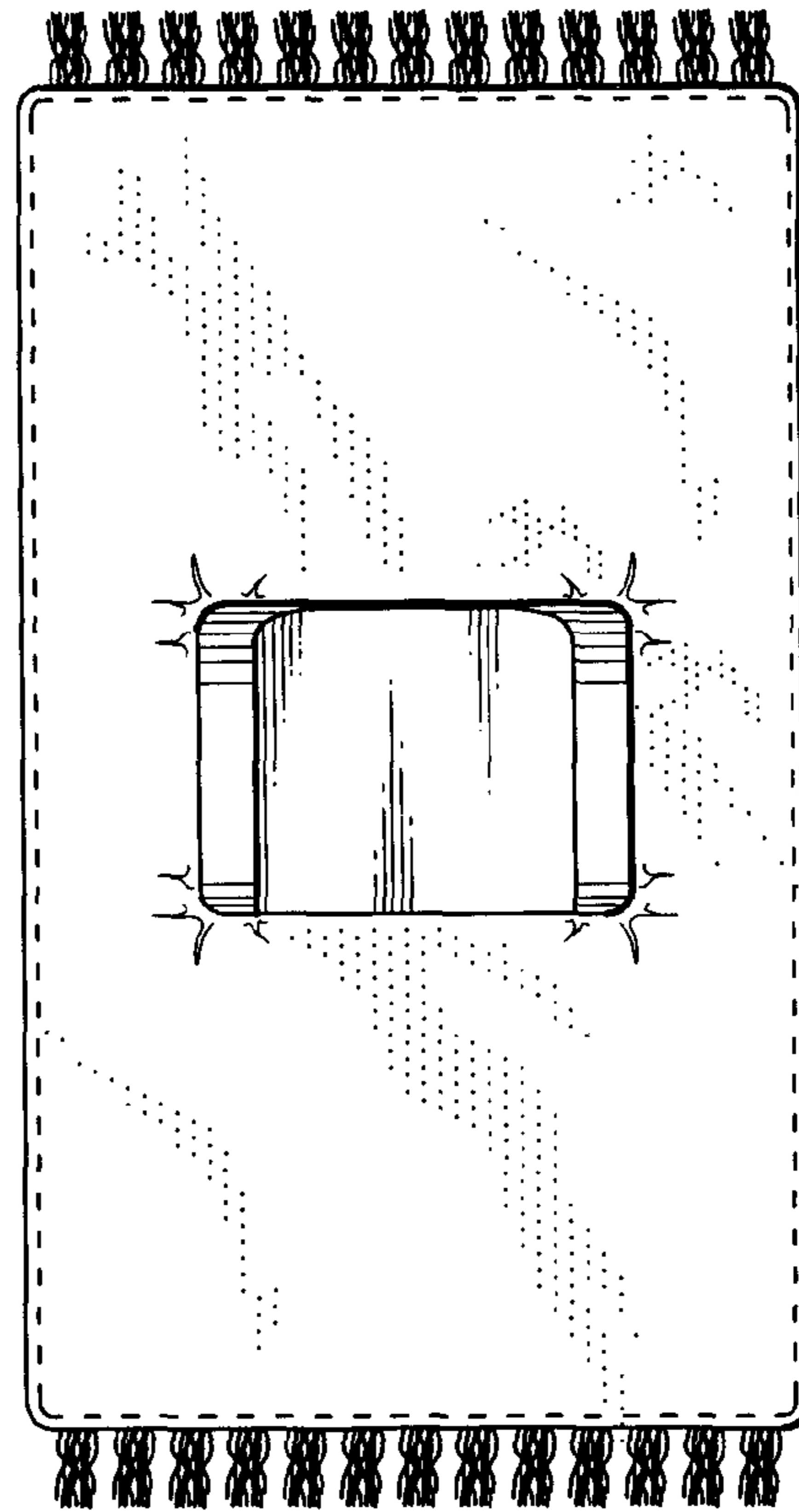


FIG. 7

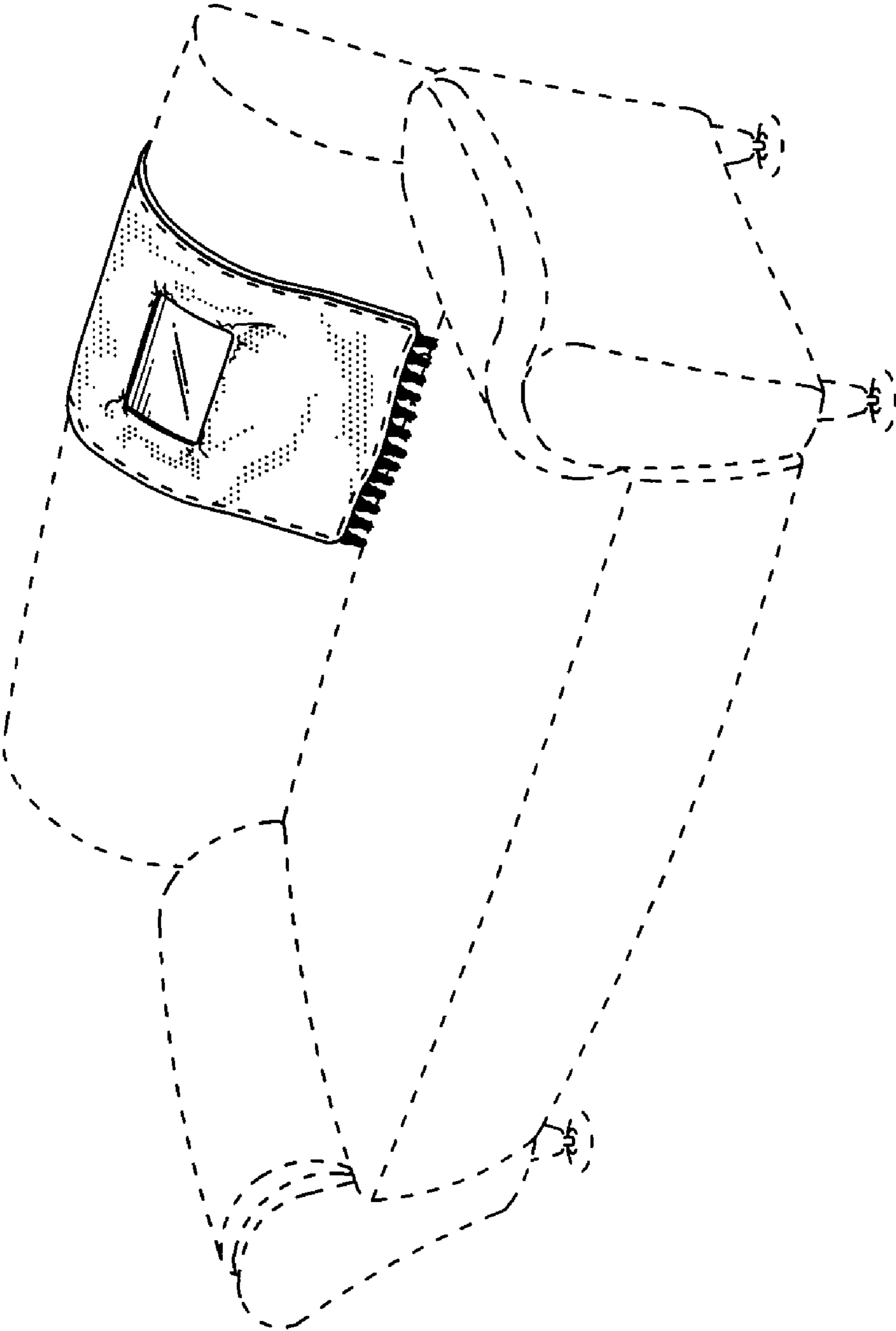


FIG. 8

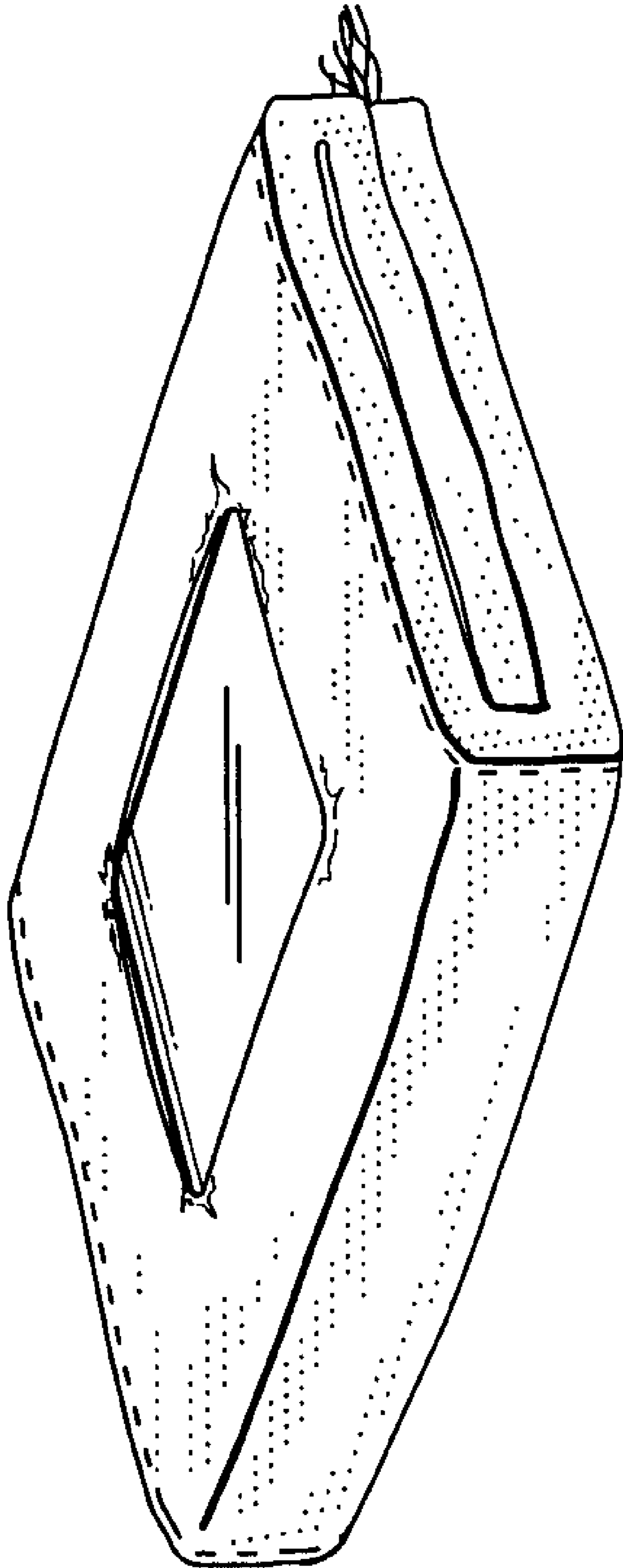


FIG. 9