



US00D533518S

(12) **United States Design Patent**
Hsiung

(10) **Patent No.:** **US D533,518 S**

(45) **Date of Patent:** **** Dec. 12, 2006**

- (54) **PORTABLE TV TUNER BOX**
- (75) Inventor: **Chen Kuo Hsiung**, Laguna (HK)
- (73) Assignee: **Silicon Pyramid Electron Ltd.**,
Guangzhou (CN)
- (**) Term: **14 Years**

D398,919 S	*	9/1998	Yen	D14/125
D398,920 S	*	9/1998	Yen	D14/125
D409,199 S	*	5/1999	Taguchi et al.	D14/217
D409,203 S	*	5/1999	Morimiya	D14/242
D460,452 S	*	7/2002	Yoshie	D14/358
D507,261 S	*	7/2005	Griffin	D14/226
D515,545 S	*	2/2006	Griffin	D14/155
D520,503 S	*	5/2006	Shimizu	D14/358

- (21) Appl. No.: **29/240,453**
- (22) Filed: **Oct. 13, 2005**
- (30) **Foreign Application Priority Data**

Jul. 18, 2005 (CN) 200530064087

- (51) **LOC (8) Cl.** **14-03**
- (52) **U.S. Cl.** **D14/125**
- (58) **Field of Classification Search** D14/125-134,
D14/239, 371, 374-376, 135, 136, 492, 299,
D14/356, 361-363, 365, 496; 312/7.2, 208.1-223.2;
348/836, 838, 180, 184, 325, 739, 10, 460;
341/12; 248/917-924; 345/104, 133, 156,
345/168, 87; 361/690-696
See application file for complete search history.

(56) **References Cited**
U.S. PATENT DOCUMENTS

D383,131 S	*	9/1997	Biasotti et al.	D14/149
D393,463 S	*	4/1998	Beaumont et al.	D14/149

* cited by examiner

Primary Examiner—Raphael Barkai
Assistant Examiner—Randall H. Gholson
(74) *Attorney, Agent, or Firm*—Much Shelist Freed
Deneberg Ament & Rubenstein, PC

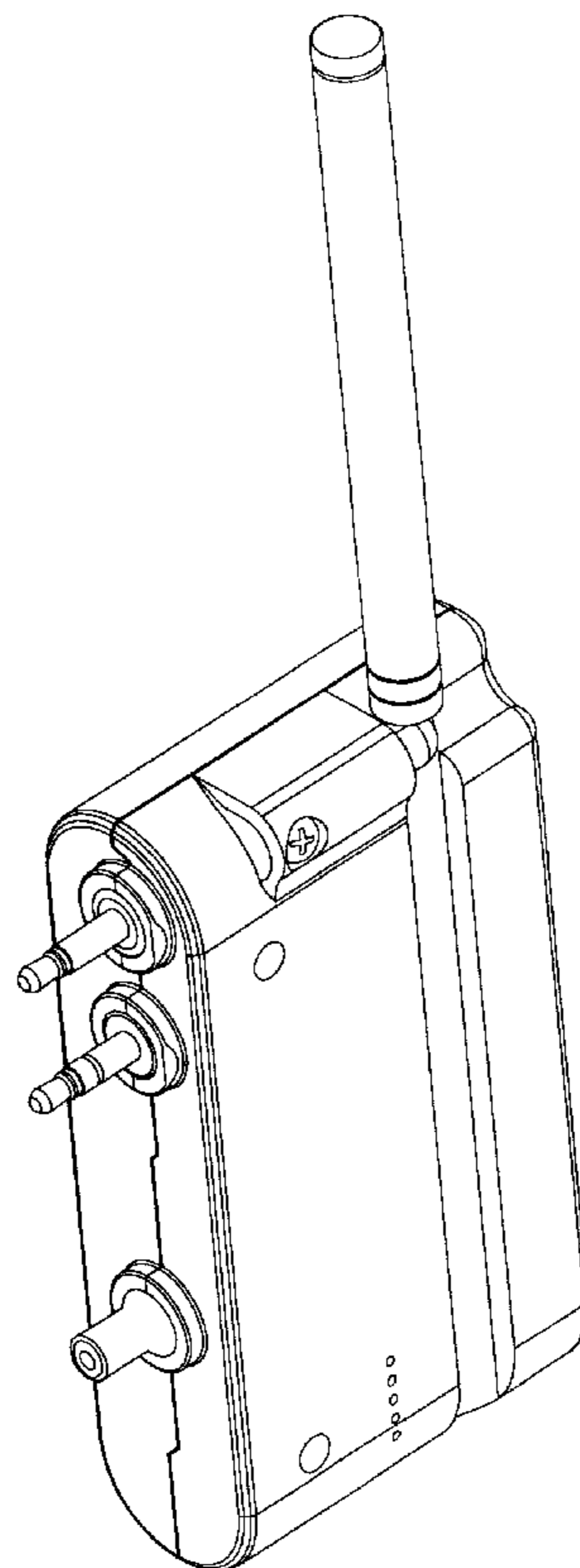
(57) **CLAIM**

The ornamental design for a portable TV tuner box, as shown and described.

DESCRIPTION

FIG. 1 is a front view of the portable TV tuner box;
FIG. 2 is a rear view;
FIG. 3 is a bottom view.
FIG. 4 is a top view;
FIG. 5 is a right side view;
FIG. 6 is a left side view;
FIG. 7 is a perspective view; and,
FIG. 8 is a rear perspective view.

1 Claim, 4 Drawing Sheets



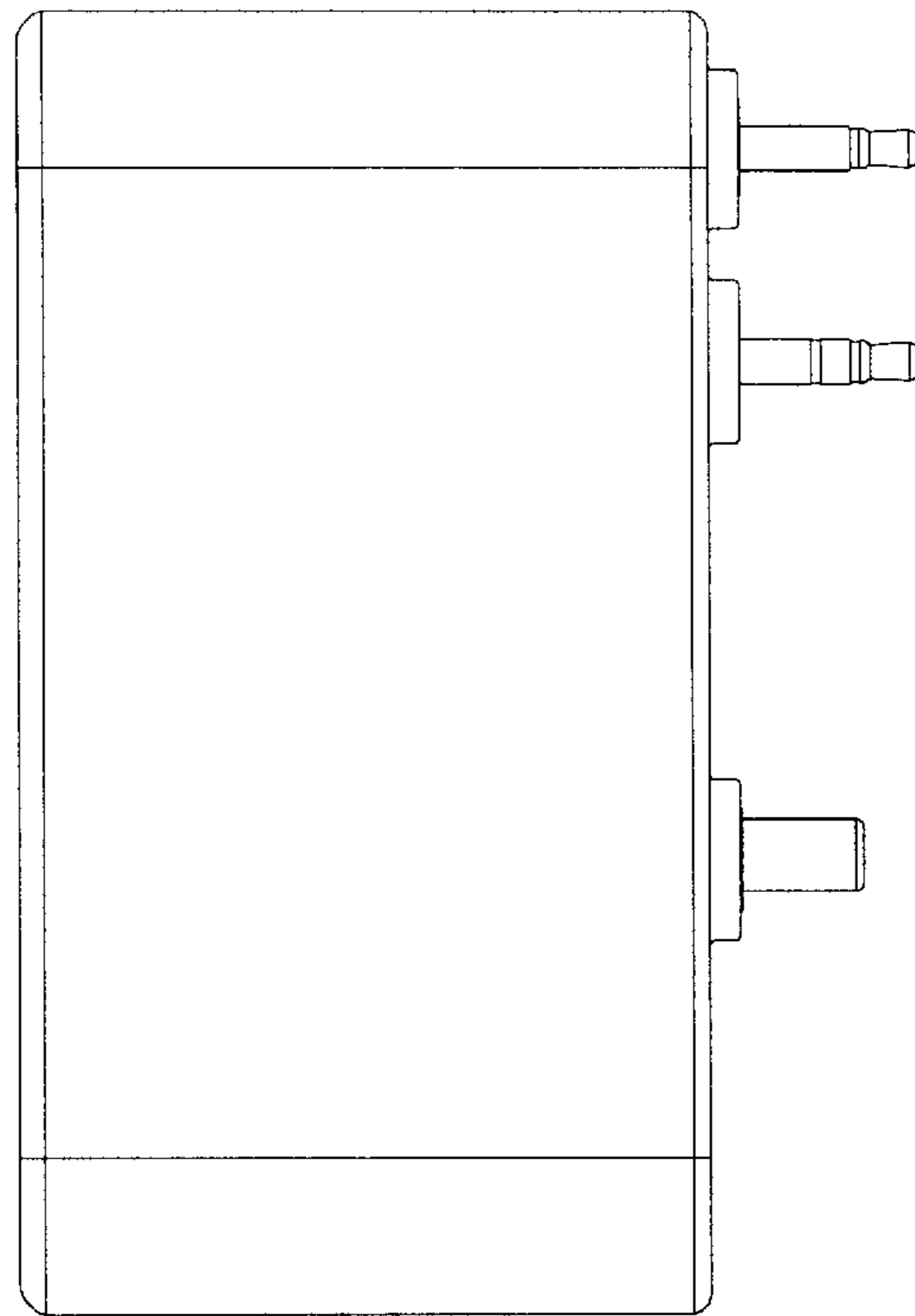


Figure 1

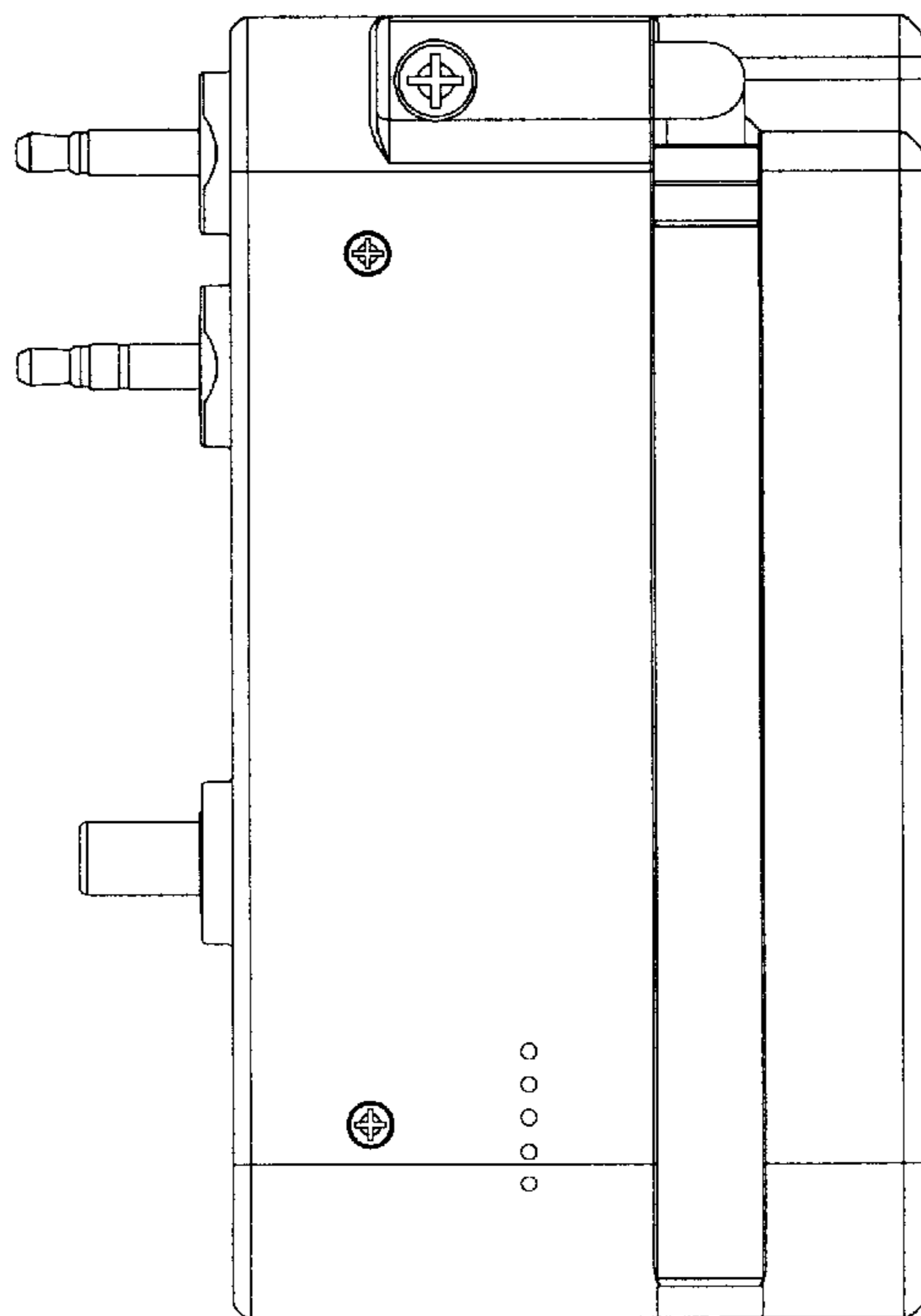


Figure 2

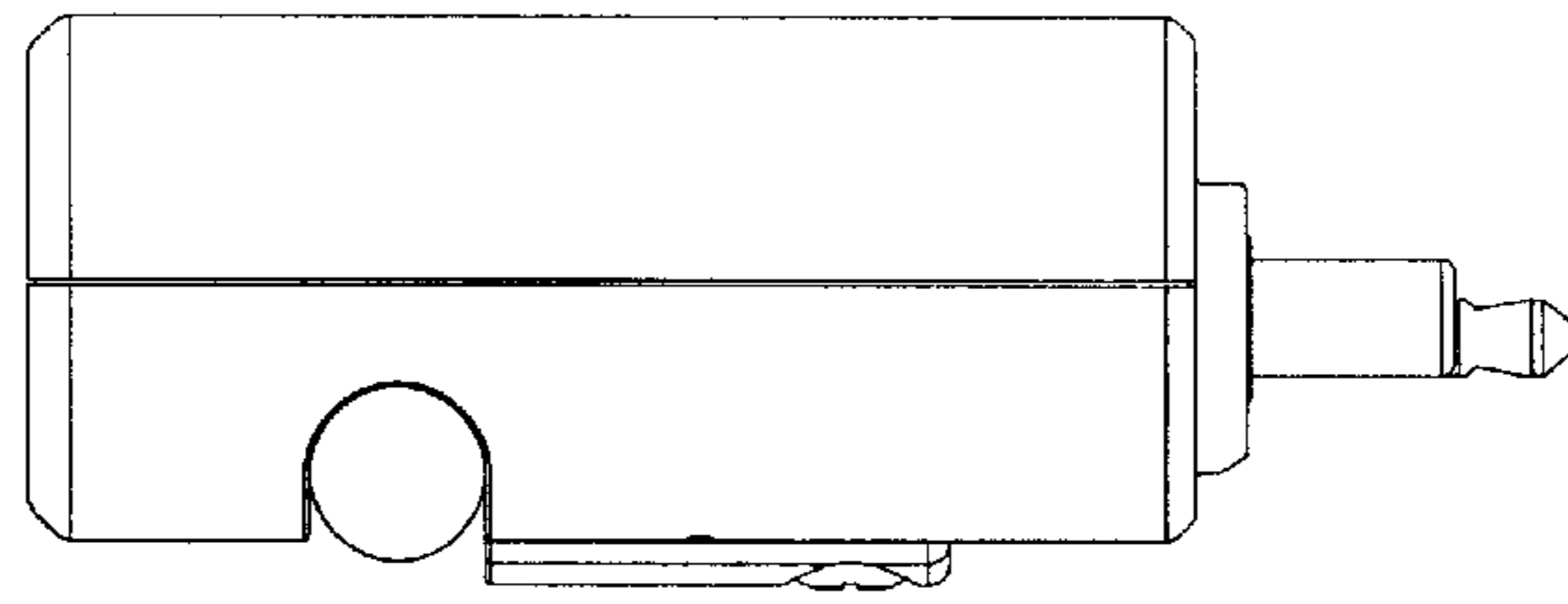


Figure 3

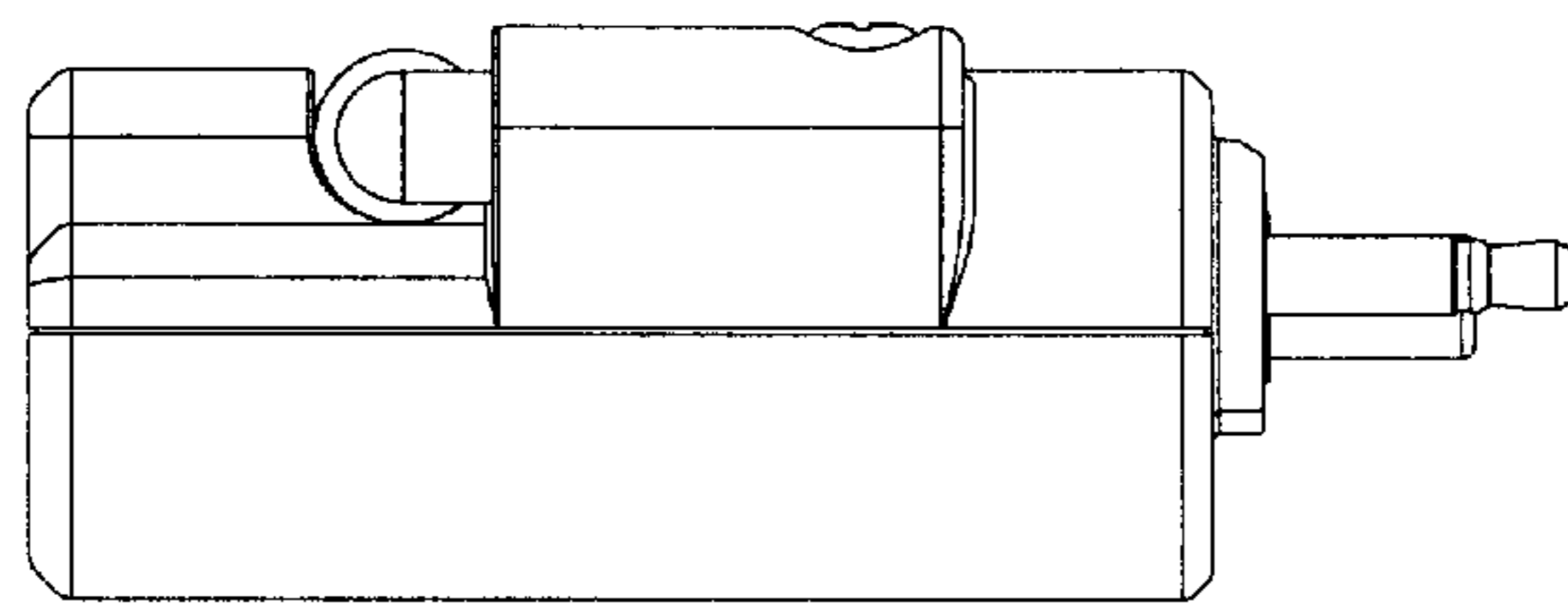


Figure 4

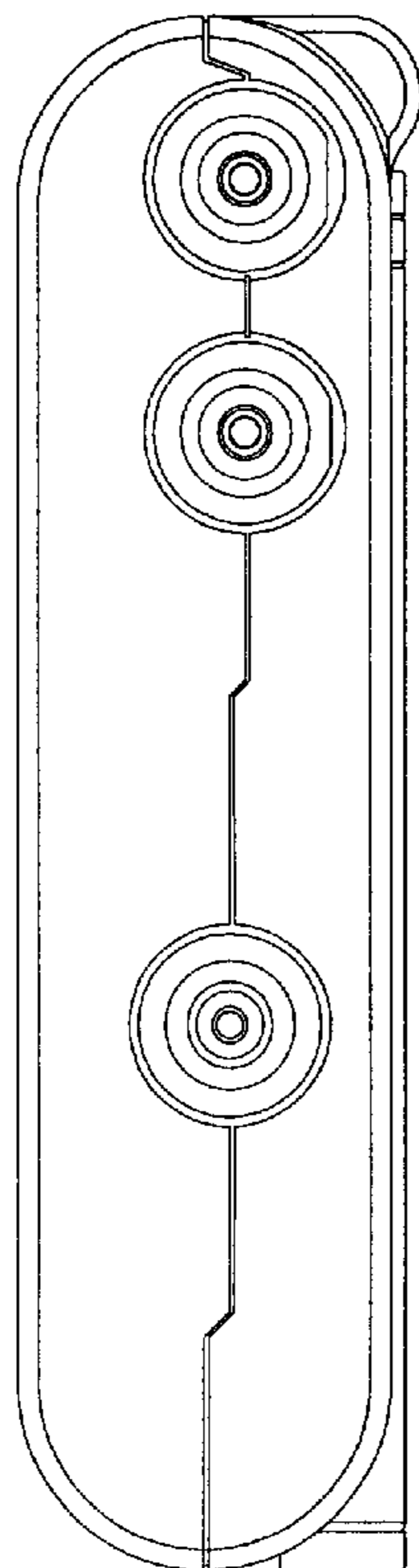


Figure 5

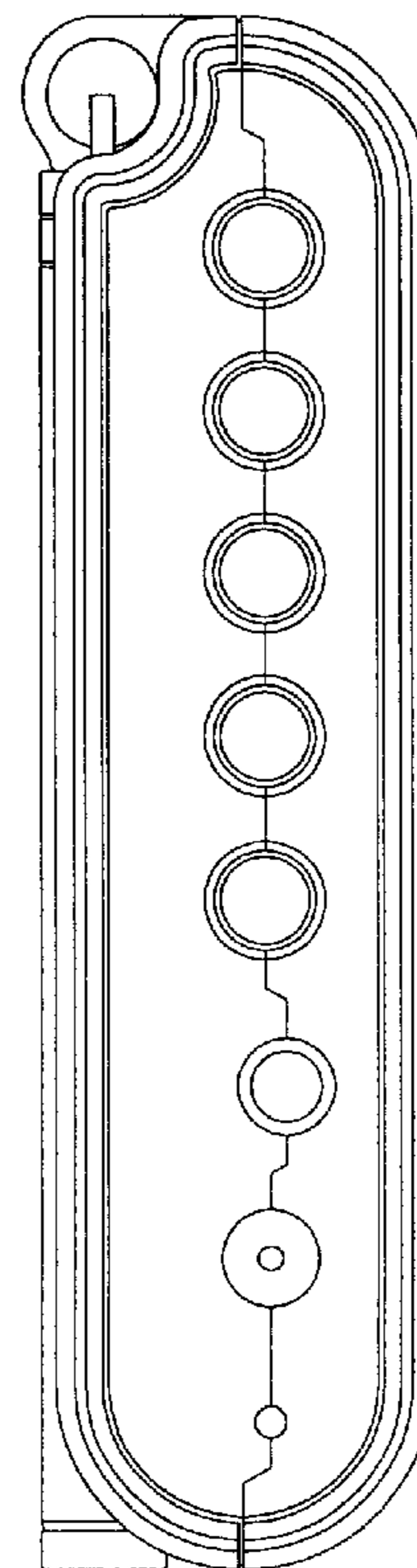


Figure 6

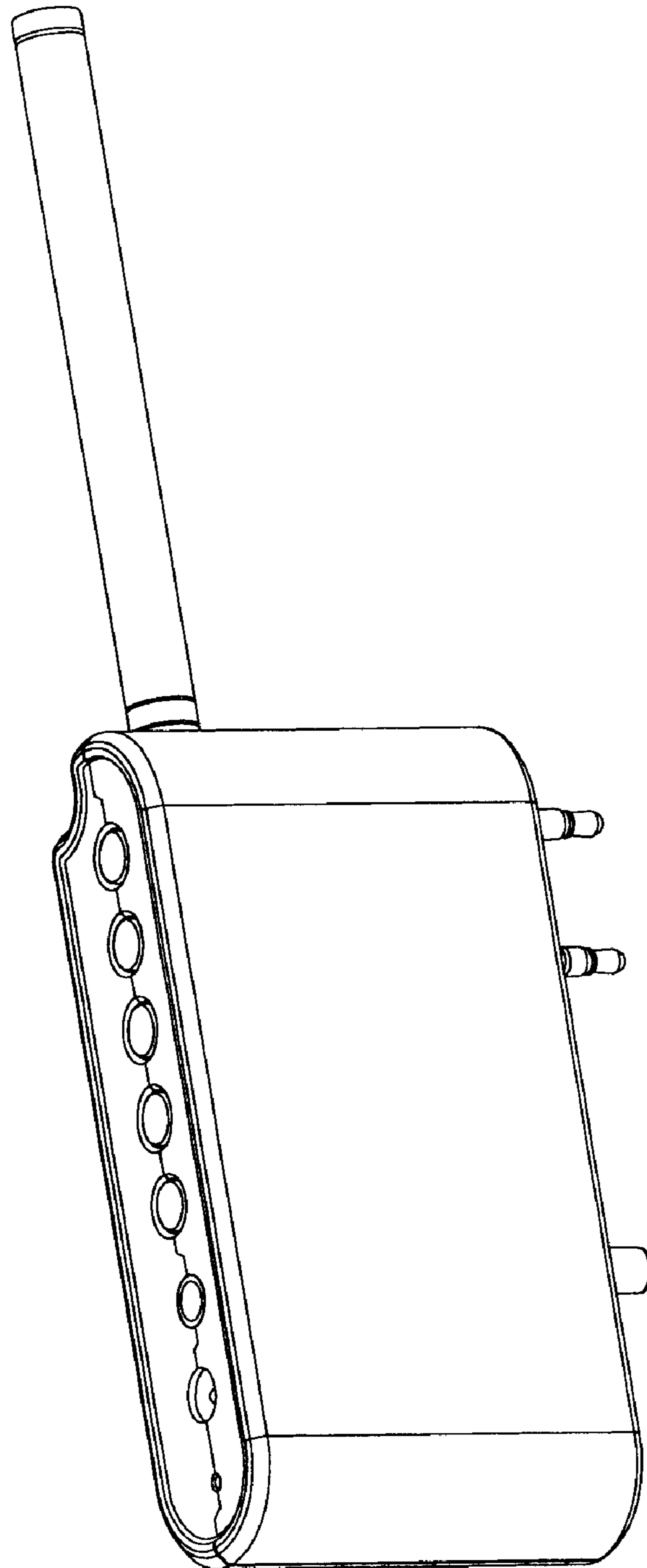


Figure 7

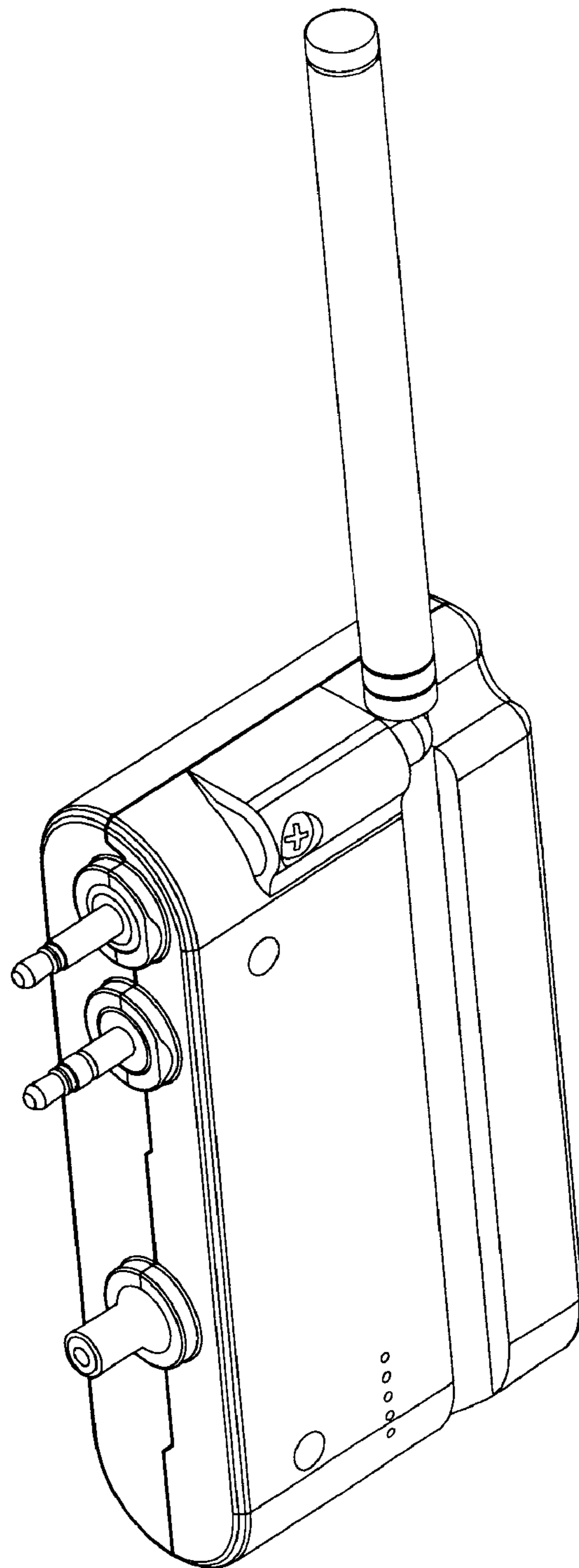


Figure 8