



US00D533517S

(12) **United States Design Patent**  
**Kim et al.**

(10) **Patent No.:** **US D533,517 S**

(45) **Date of Patent:** **\*\* \*Dec. 12, 2006**

(54) **LIGHT-EMITTING DIODE**

(75) Inventors: **Yu Dong Kim**, Suwon (KR); **Young Jae Song**, Suwon (KR)

(73) Assignee: **Samsung Electro-Mechanics Co., Ltd.** (KR)

(\*) Notice: This patent is subject to a terminal disclaimer.

(\*\*) Term: **14 Years**

(21) Appl. No.: **29/231,984**

(22) Filed: **Jun. 13, 2005**

(30) **Foreign Application Priority Data**

Dec. 27, 2004 (KR) ..... 30-2004-0040143

(51) **LOC (8) Cl.** ..... **13-03**

(52) **U.S. Cl.** ..... **D13/180**

(58) **Field of Classification Search** ..... D13/180;  
D26/2; 257/79, 80, 81, 82, 88, 89, 95, 98,  
257/99, 100, 433, 434, 666; 313/483, 498,  
313/500; 361/820; 362/235, 555, 800; 372/45  
See application file for complete search history.

(56) **References Cited**

**U.S. PATENT DOCUMENTS**

6,576,986 B1 \* 6/2003 Kobayakawa ..... 257/676  
6,603,148 B1 \* 8/2003 Sano et al. .... 257/98

D493,429 S \* 7/2004 Ishida ..... D13/180  
D495,667 S \* 9/2004 Kim et al. .... D13/180  
D501,831 S \* 2/2005 Ishida ..... D13/180  
D504,116 S \* 4/2005 Ishida ..... D13/180  
D504,404 S \* 4/2005 Ishida ..... D13/180  
D504,873 S \* 5/2005 Ishida ..... D13/180  
6,953,952 B1 \* 10/2005 Asakawa ..... 257/103  
2005/0121688 A1 \* 6/2005 Nagai et al. .... 257/99

**FOREIGN PATENT DOCUMENTS**

JP D1183377 S 7/2003  
KR 30-0338343 S 11/2003

\* cited by examiner

*Primary Examiner*—Selina Sikder

(74) *Attorney, Agent, or Firm*—The Webb Law Firm

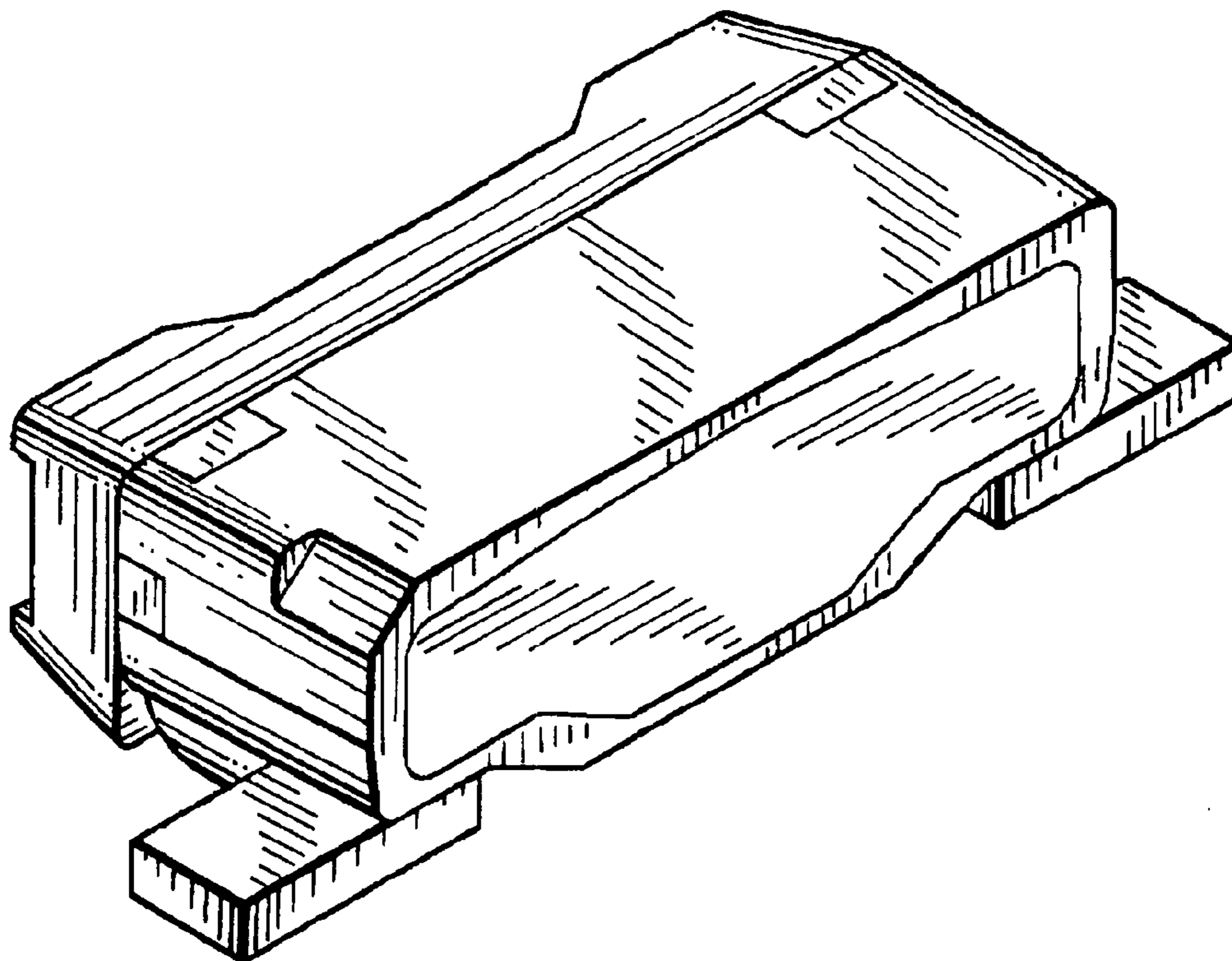
(57) **CLAIM**

The ornamental design for a light-emitting diode, as shown and described.

**DESCRIPTION**

FIG. 1 is a perspective view of a light-emitting diode;  
FIG. 2 is a front view thereof;  
FIG. 3 is a rear view thereof;  
FIG. 4 is a left side view thereof;  
FIG. 5 is a right side view thereof;  
FIG. 6 is a top plan view thereof; and,  
FIG. 7 is a bottom view thereof.

**1 Claim, 3 Drawing Sheets**



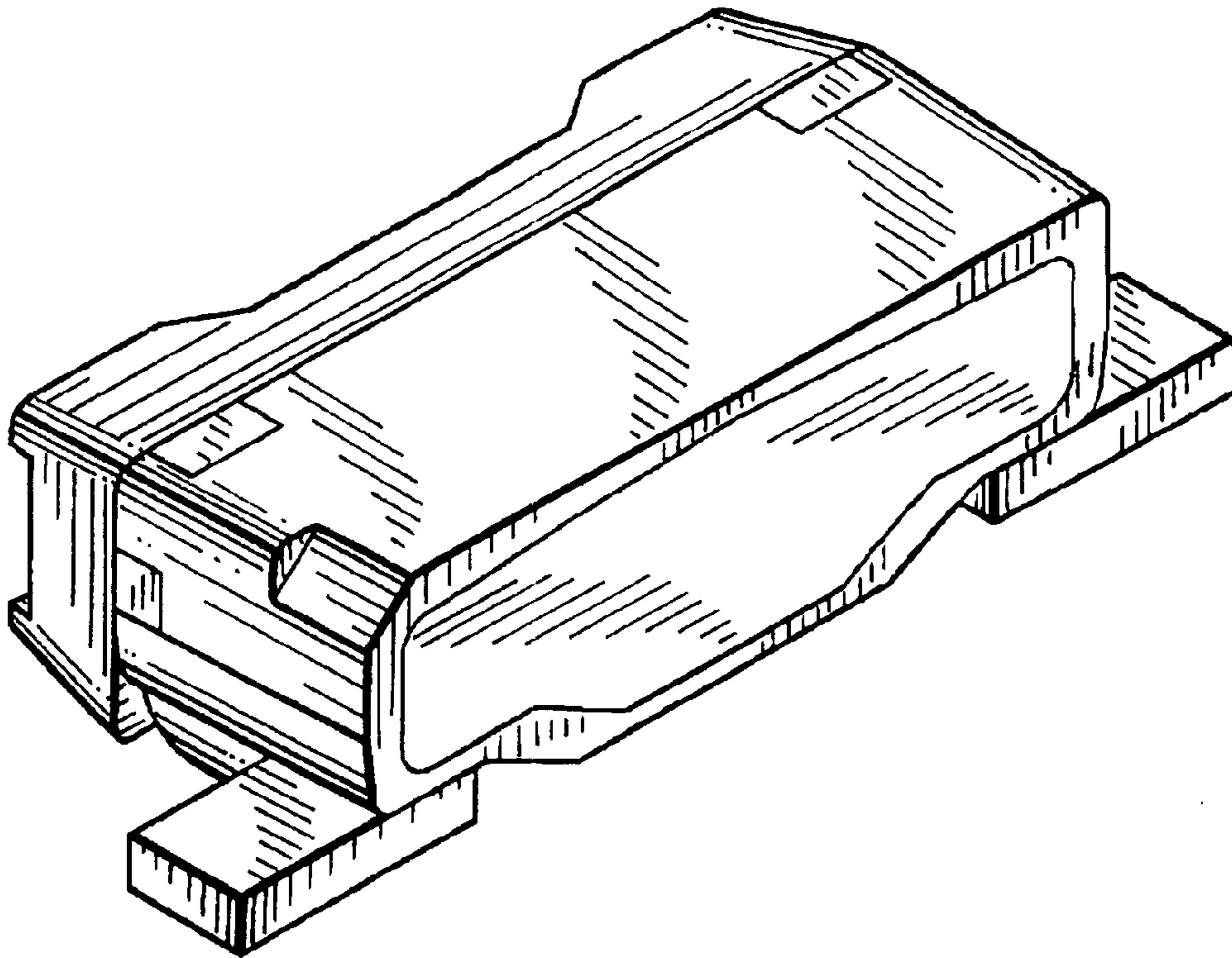


FIG. 1

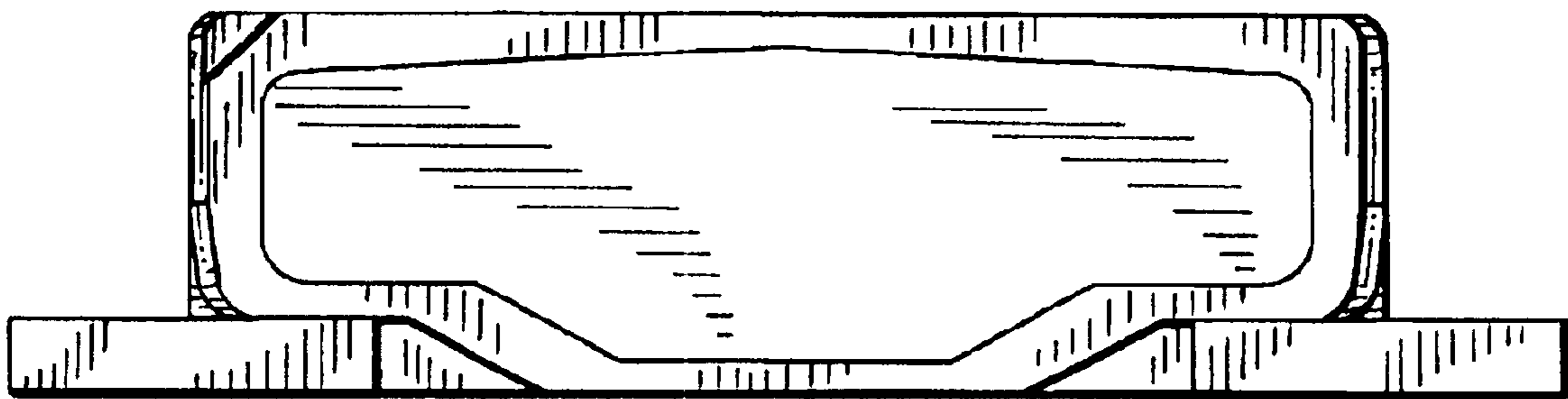


FIG. 2

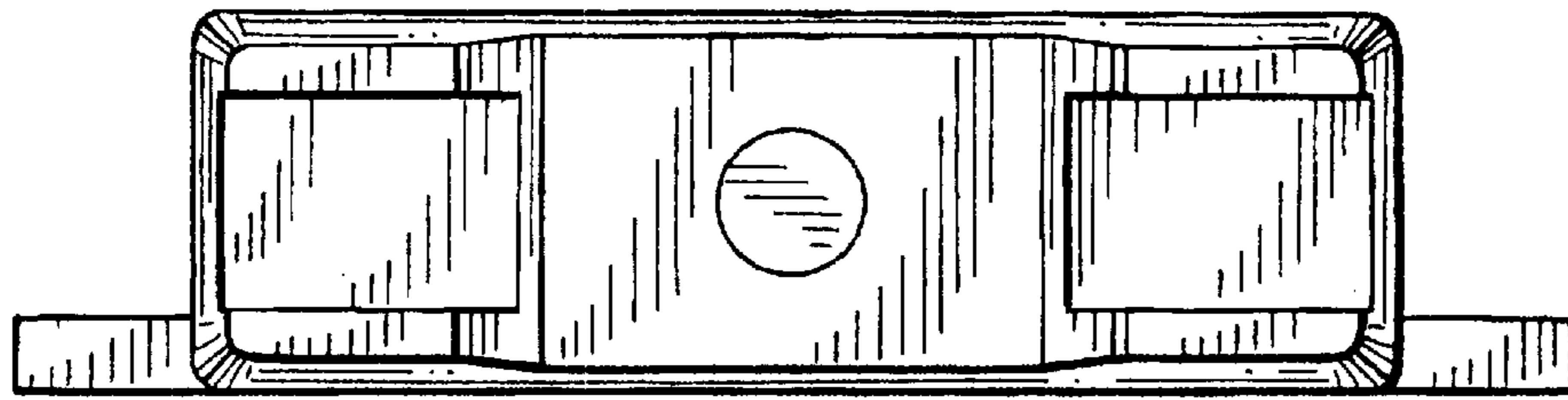


FIG. 3

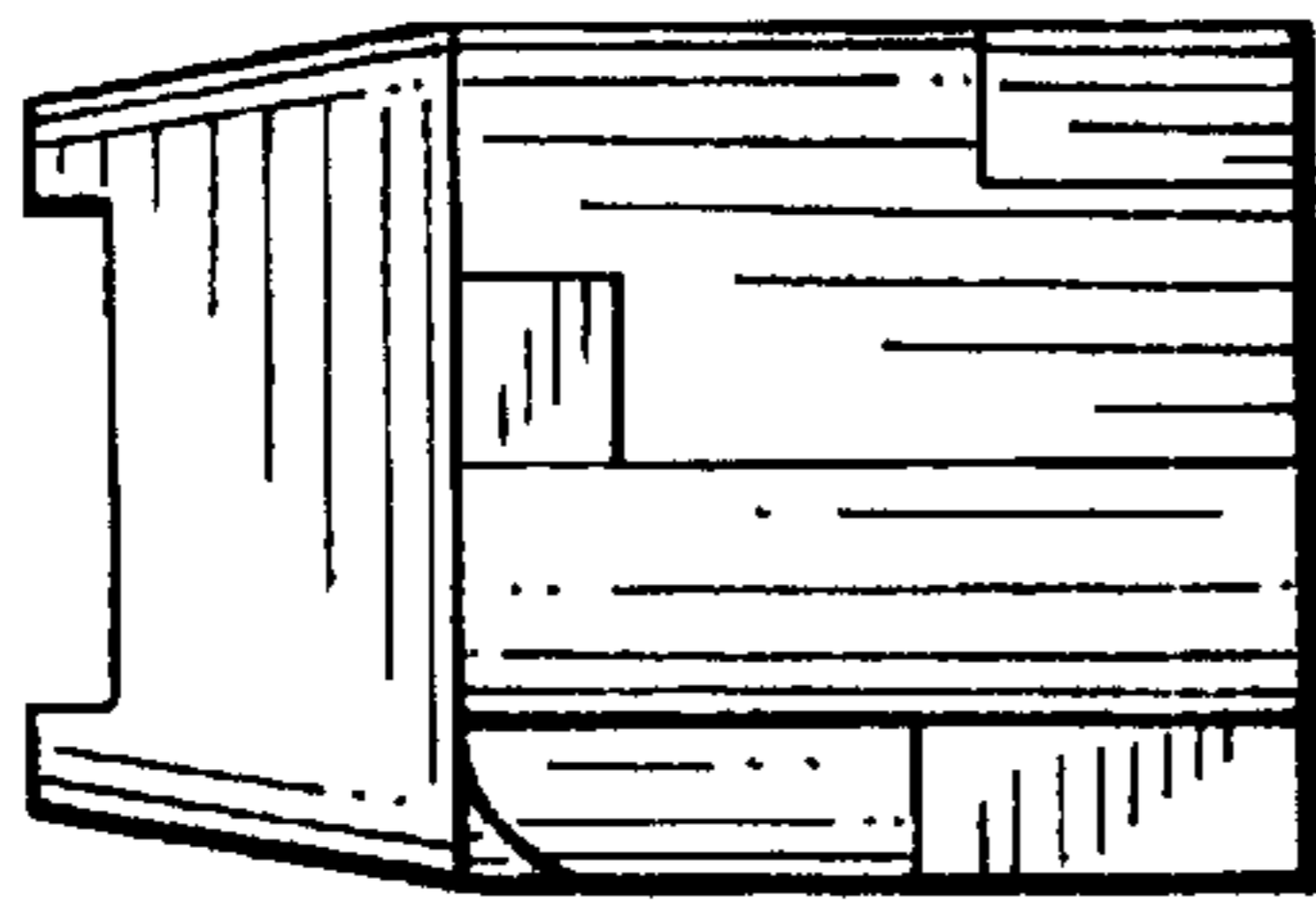


FIG. 4

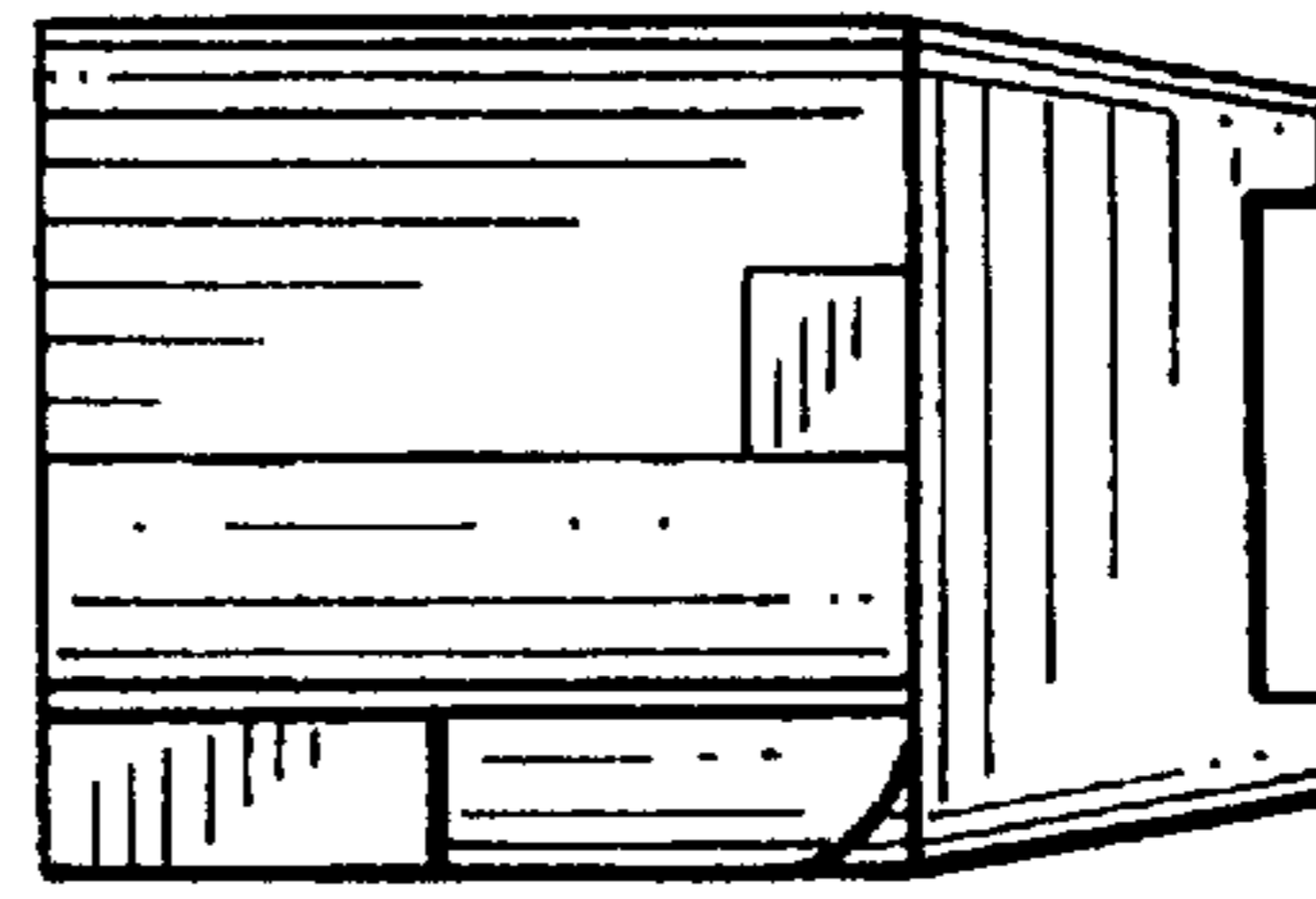


FIG. 5

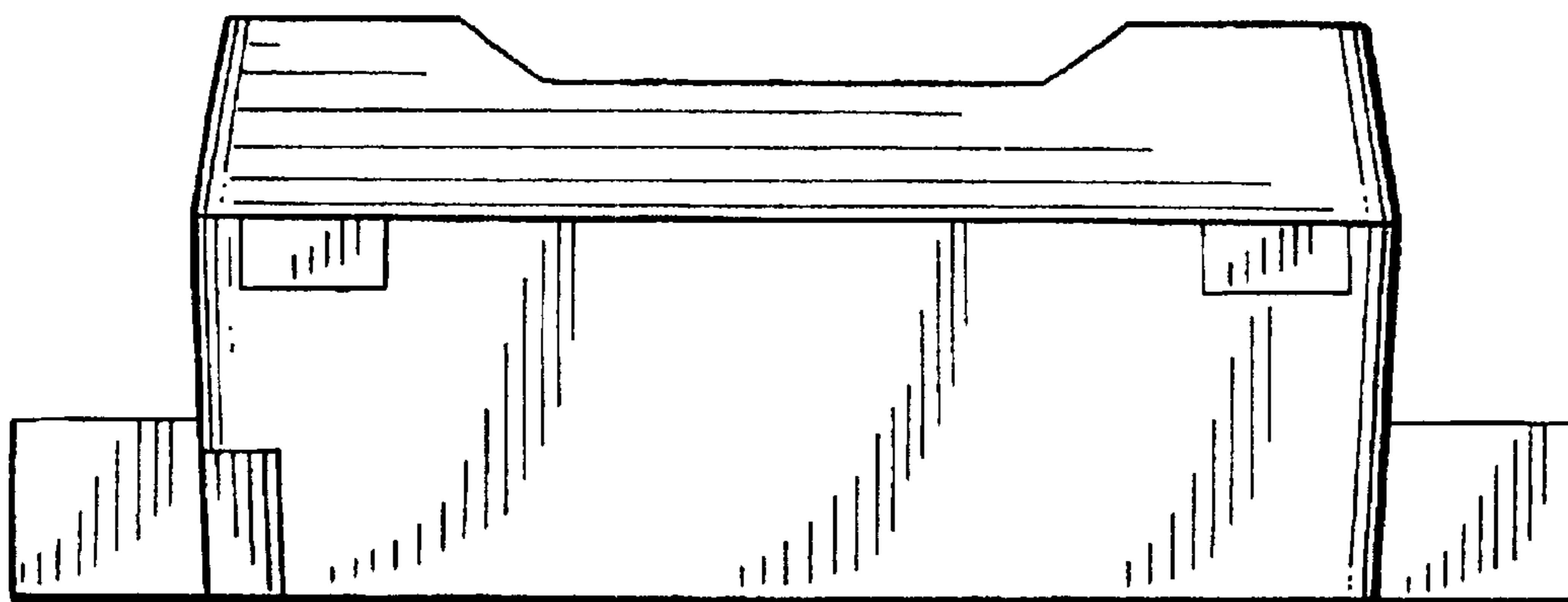


FIG. 6

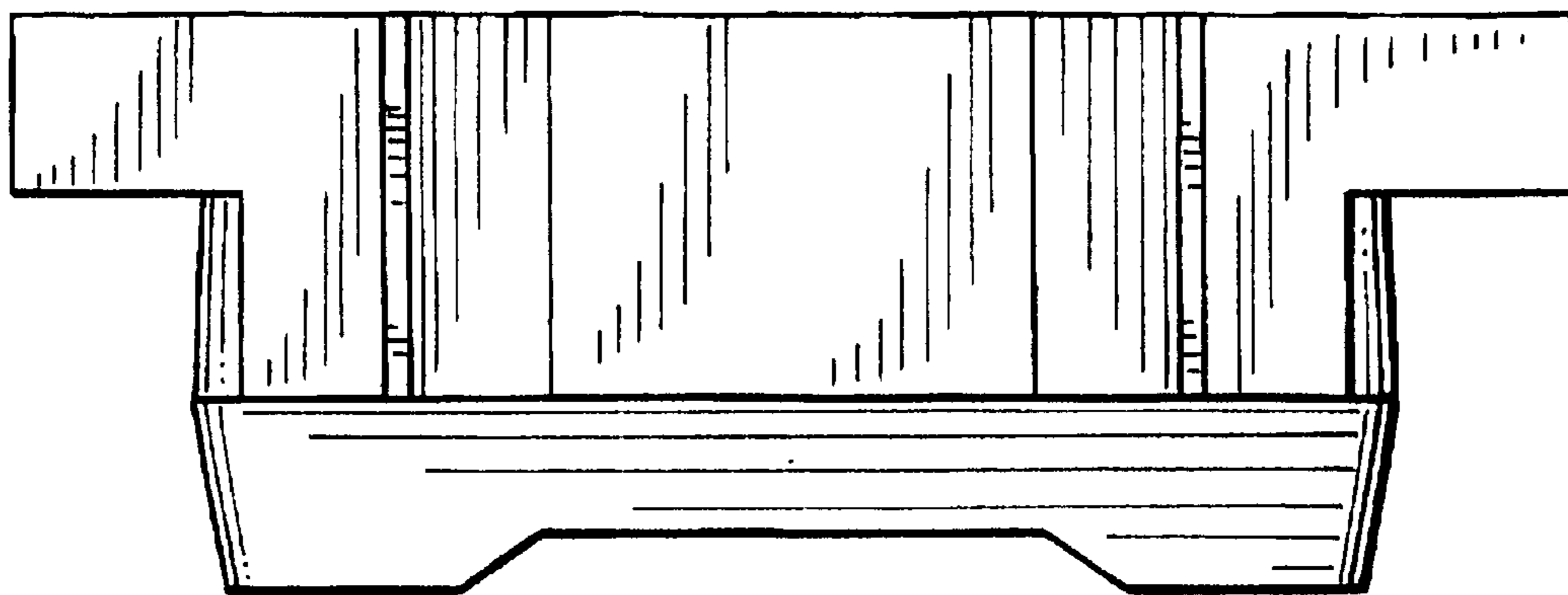


FIG. 7