



US00D533516S

(12) **United States Design Patent**
Murata et al.

(10) **Patent No.:** **US D533,516 S**
(45) **Date of Patent:** **** Dec. 12, 2006**

(54) **REMOTE CONTROLLER FOR MASSAGING APPARATUS**

(75) Inventors: **Chiaki Murata**, Toyonaka (JP);
Hideyuki Yamada, Toyonaka (JP)

(73) Assignee: **Family Co., Ltd.**, Osaka (JP)

(**) Term: **14 Years**

(21) Appl. No.: **29/252,369**

(22) Filed: **Jan. 20, 2006**

(30) **Foreign Application Priority Data**

Jul. 25, 2005 (JP) 2005-021580

(51) **LOC (8) Cl.** **13-03**

(52) **U.S. Cl.** **D13/168; D24/200**

(58) **Field of Classification Search** D13/168;
D10/104, 106; D14/218, 247; 340/825.22,
340/825.24, 825.25, 825.31, 825.36, 825.69,
340/825.71, 825.72; 341/20, 22, 23, 34, 173,
341/174, 176; 345/156, 168, 169, 173; 348/734;
455/92, 95, 100, 128, 151.1–151.4, 325–355;
463/39; 700/17, 19, 20, 281; 601/46, 49,
601/99; D24/200

See application file for complete search history.

(56) **References Cited**

U.S. PATENT DOCUMENTS

D365,639 S * 12/1995 Teo et al. D24/200
D382,543 S * 8/1997 Tsung D13/168
6,117,094 A * 9/2000 Fujii 601/99

D442,564 S * 5/2001 Ohkuma D13/168
6,492,786 B1 * 12/2002 Vang et al. 318/553
6,592,533 B1 * 7/2003 Yonekawa et al. 601/148
6,648,840 B1 * 11/2003 Cutler et al. 601/15
6,744,370 B1 * 6/2004 Sleichter et al. 340/576
6,899,687 B1 * 5/2005 Hori et al. 601/1
7,010,369 B1 * 3/2006 Borders et al. 700/90
2003/0181851 A1 * 9/2003 Mann et al. 604/65

* cited by examiner

Primary Examiner—Selina Sikder

(74) *Attorney, Agent, or Firm*—Alleman Hall McCoy
Russell & Tuttle LLP

(57) **CLAIM**

The ornamental design for a remote controller for massaging apparatus, as shown and described.

DESCRIPTION

FIG. 1 is a front view of a remote controller for massaging apparatus showing our new design.

FIG. 2 is a rear view of FIG. 1.

FIG. 3 is a top view of FIG. 1.

FIG. 4 is a bottom view of FIG. 1.

FIG. 5 is a left side view of FIG. 1.

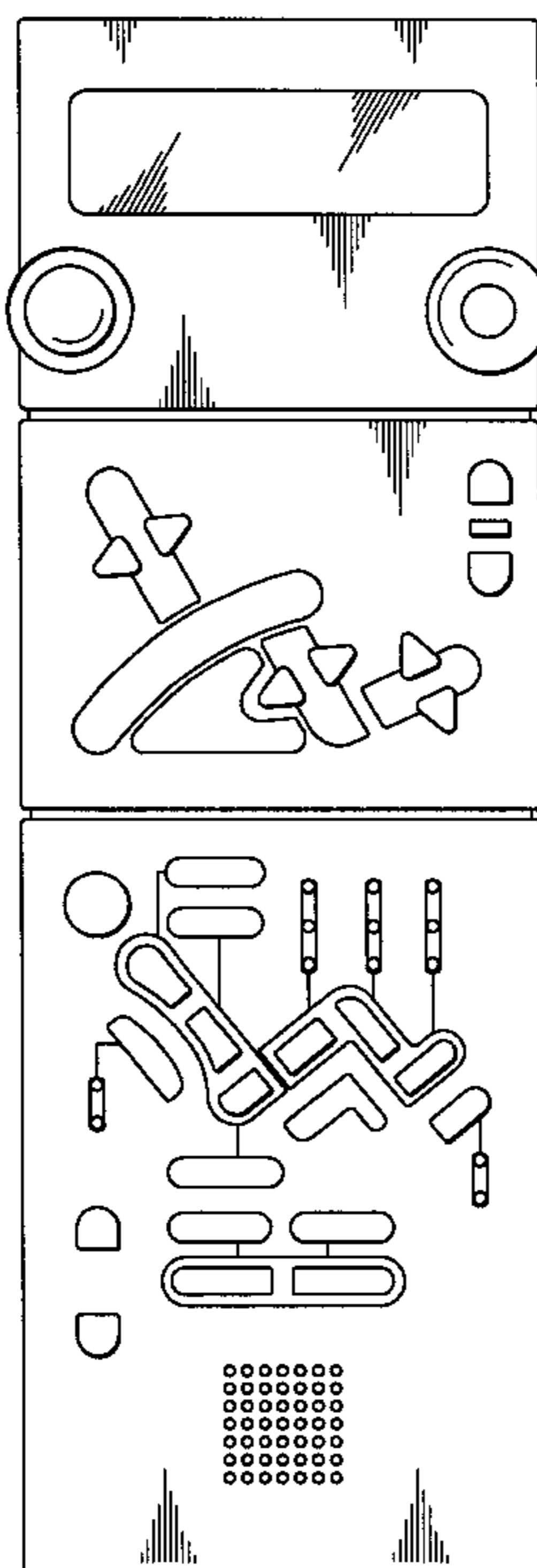
FIG. 6 is a right side view of FIG. 1.

FIG. 7 is a perspective view of FIG. 1; and,

FIG. 8 is a front view of FIG. 1, shown mounted for use in a massage chair environment.

The broken line showing of the environment is for illustrative purposes only and forms no part of the claimed design.

1 Claim, 6 Drawing Sheets



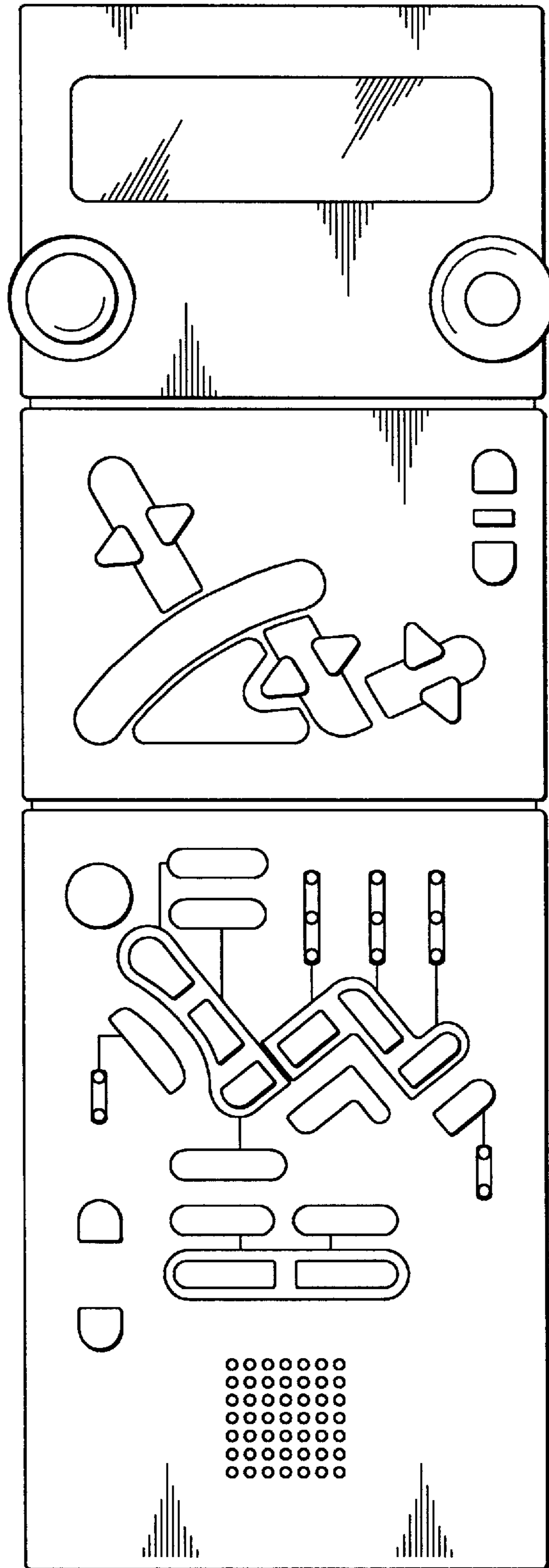


FIG. 1

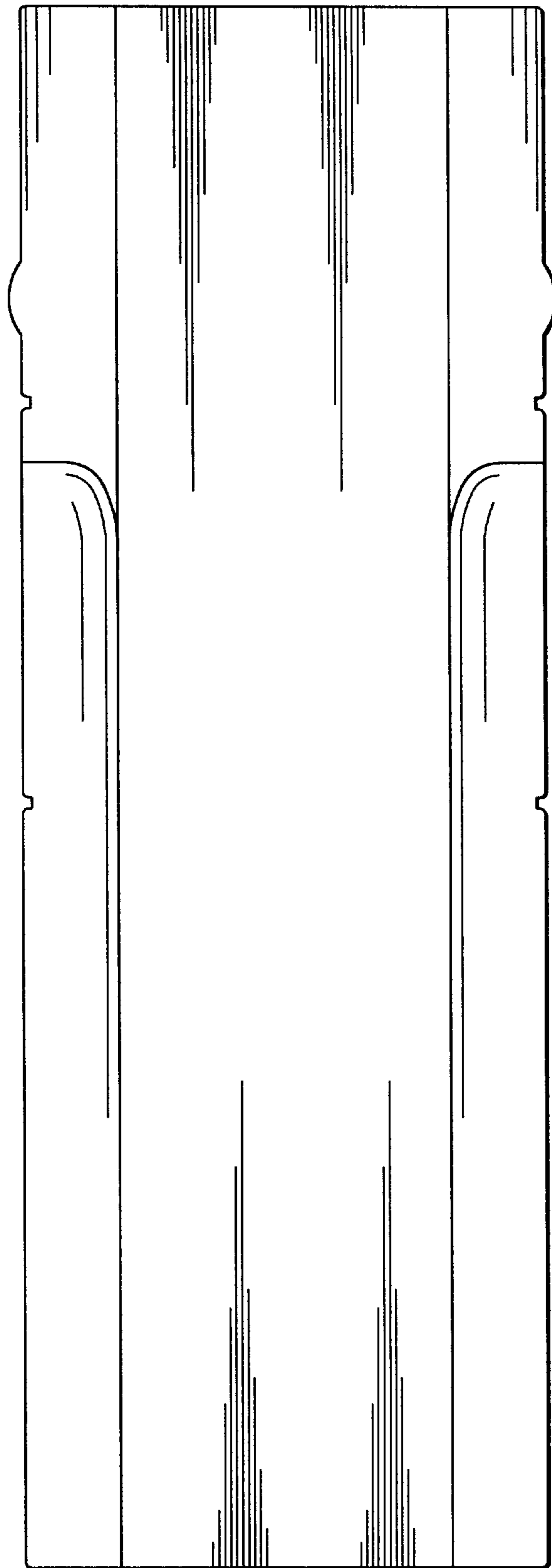


FIG. 2

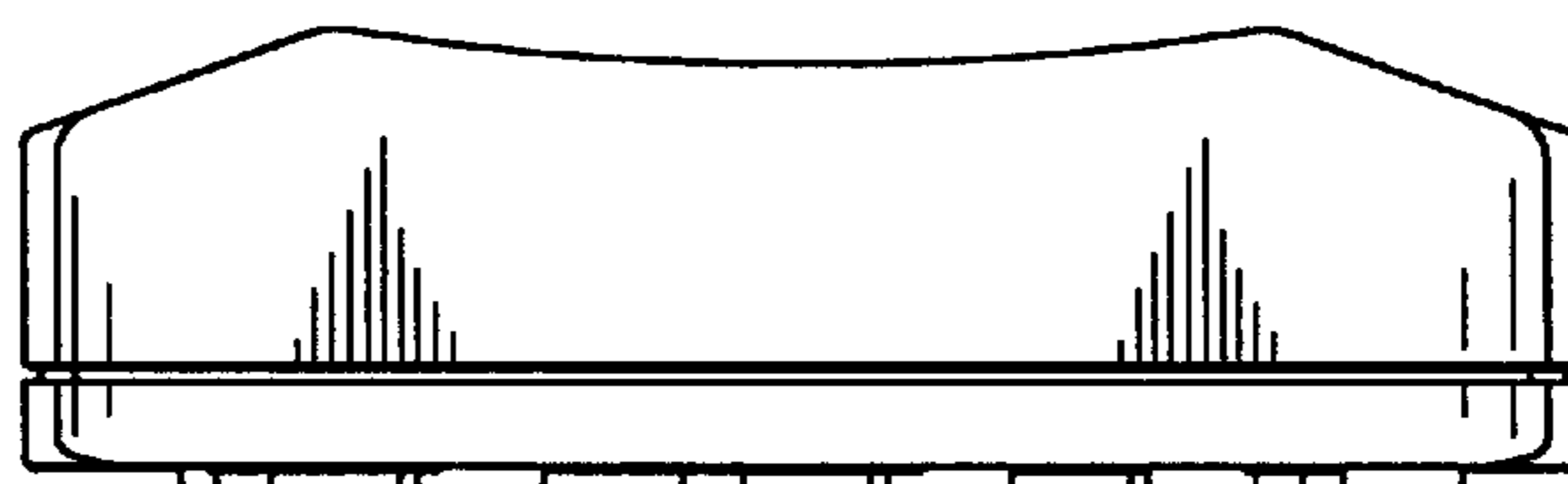
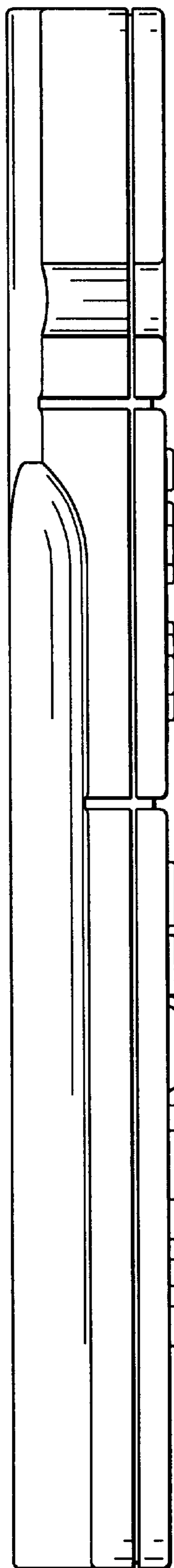


FIG. 3

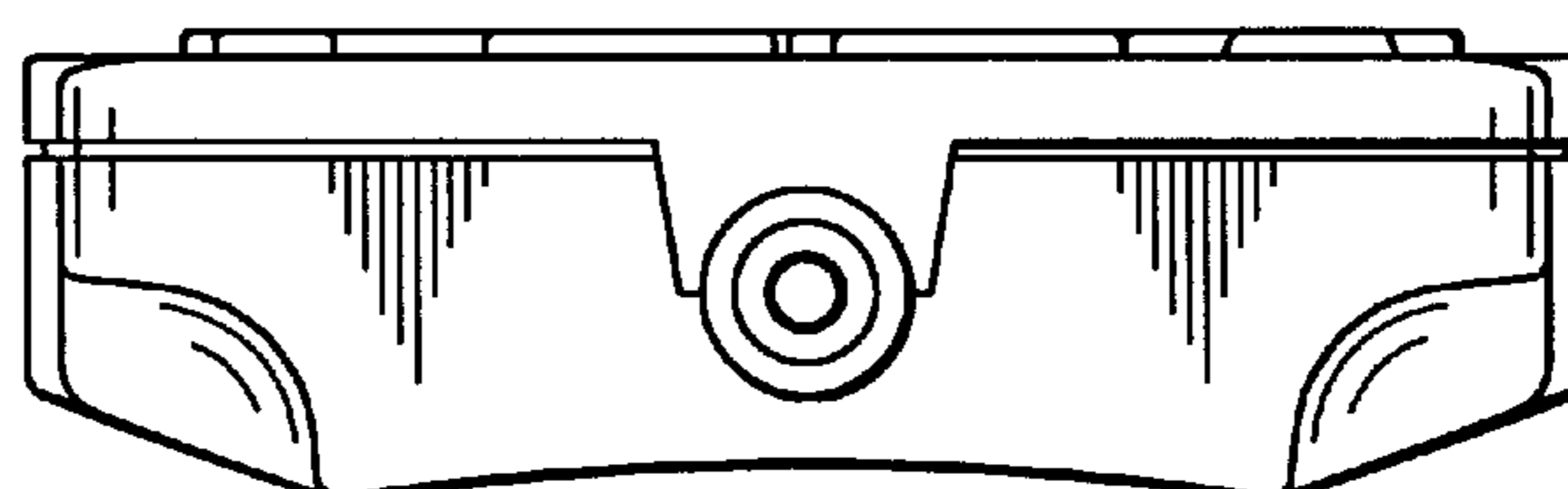


FIG. 4

FIG. 5

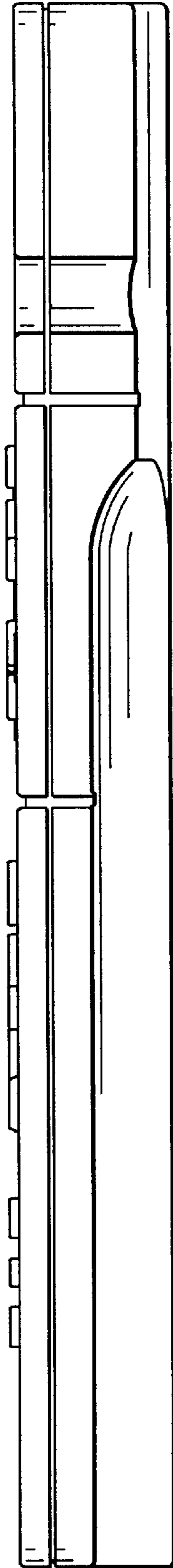


FIG. 6

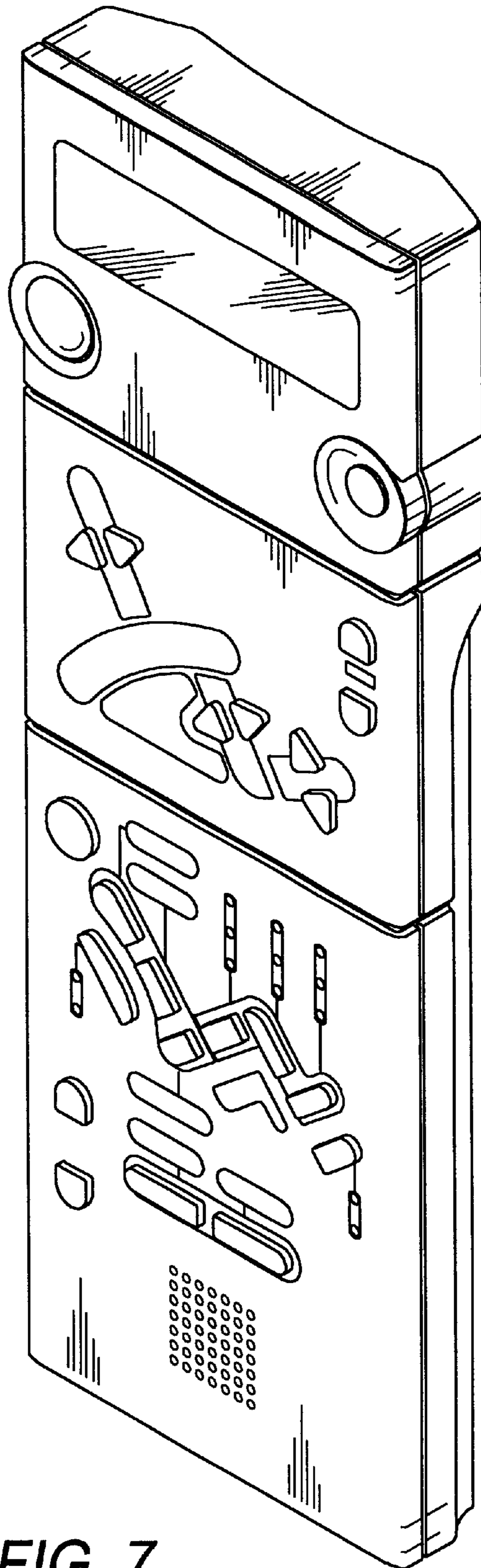


FIG. 7

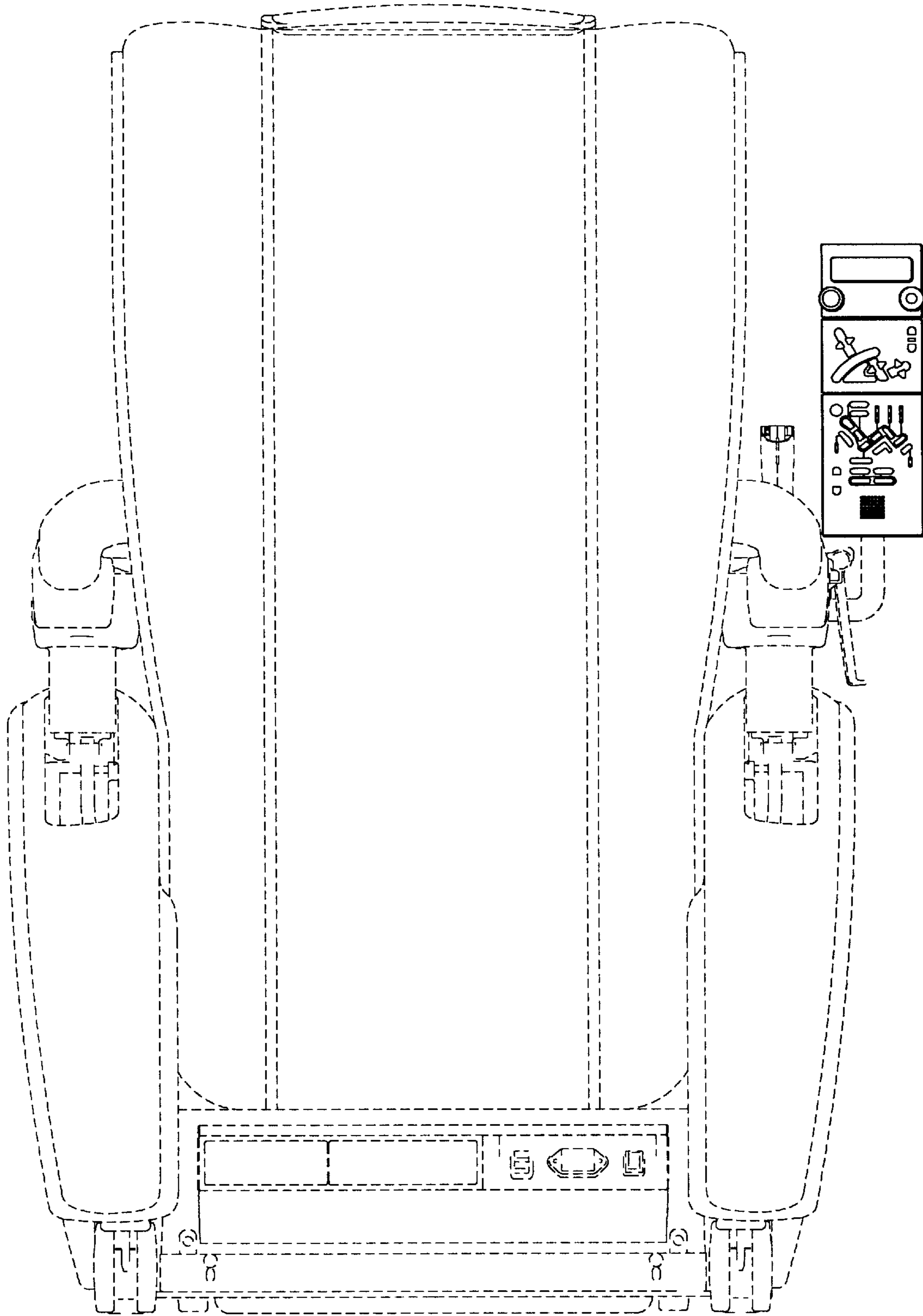


FIG. 8