



US00D533515S

(12) **United States Design Patent**
Klein et al.

(10) **Patent No.:** **US D533,515 S**

(45) **Date of Patent:** **** Dec. 12, 2006**

(54) **HAND HELD DEVICE BODY**

(75) Inventors: **Sandro David Klein**, Cypress, CA
(US); **Alejandro Garfio**, Pico Rivera,
CA (US)

(73) Assignee: **Universal Electronics Inc.**, Cypress,
CA (US)

(**) Term: **14 Years**

(21) Appl. No.: **29/242,174**

(22) Filed: **Nov. 7, 2005**

(51) **LOC (8) Cl.** **13-03**

(52) **U.S. Cl.** **D13/168**

(58) **Field of Classification Search** D13/168;
D10/104, 106; D14/218, 247; 340/825.22,
340/825.24, 825.25, 825.31, 825.36, 825.69,
340/825.71, 825.72; 341/20, 22, 23, 34, 173,
341/174, 176; 345/156, 168, 169; 348/734;
455/92, 95, 100, 128, 151.1–151.4, 325–355;
463/39; 700/17, 19, 20, 281

See application file for complete search history.

(56) **References Cited**

U.S. PATENT DOCUMENTS

D447,742 S * 9/2001 Cornille D14/218

D453,503 S * 2/2002 Fitzsimmons et al. D13/168
D477,591 S * 7/2003 Hung D14/218
D494,145 S * 8/2004 Klimas D13/168
D513,498 S * 1/2006 Krzyzanowski et al. ... D13/168

* cited by examiner

Primary Examiner—Selina Sikder

(74) *Attorney, Agent, or Firm*—Garry R. Jarosik

(57) **CLAIM**

What is claimed is the ornamental design for a “hand held device body,” as shown and described.

DESCRIPTION

FIG. 1 is a perspective view of a hand held device body showing the new design;

FIG. 2 is a front elevation view of the hand held device body;

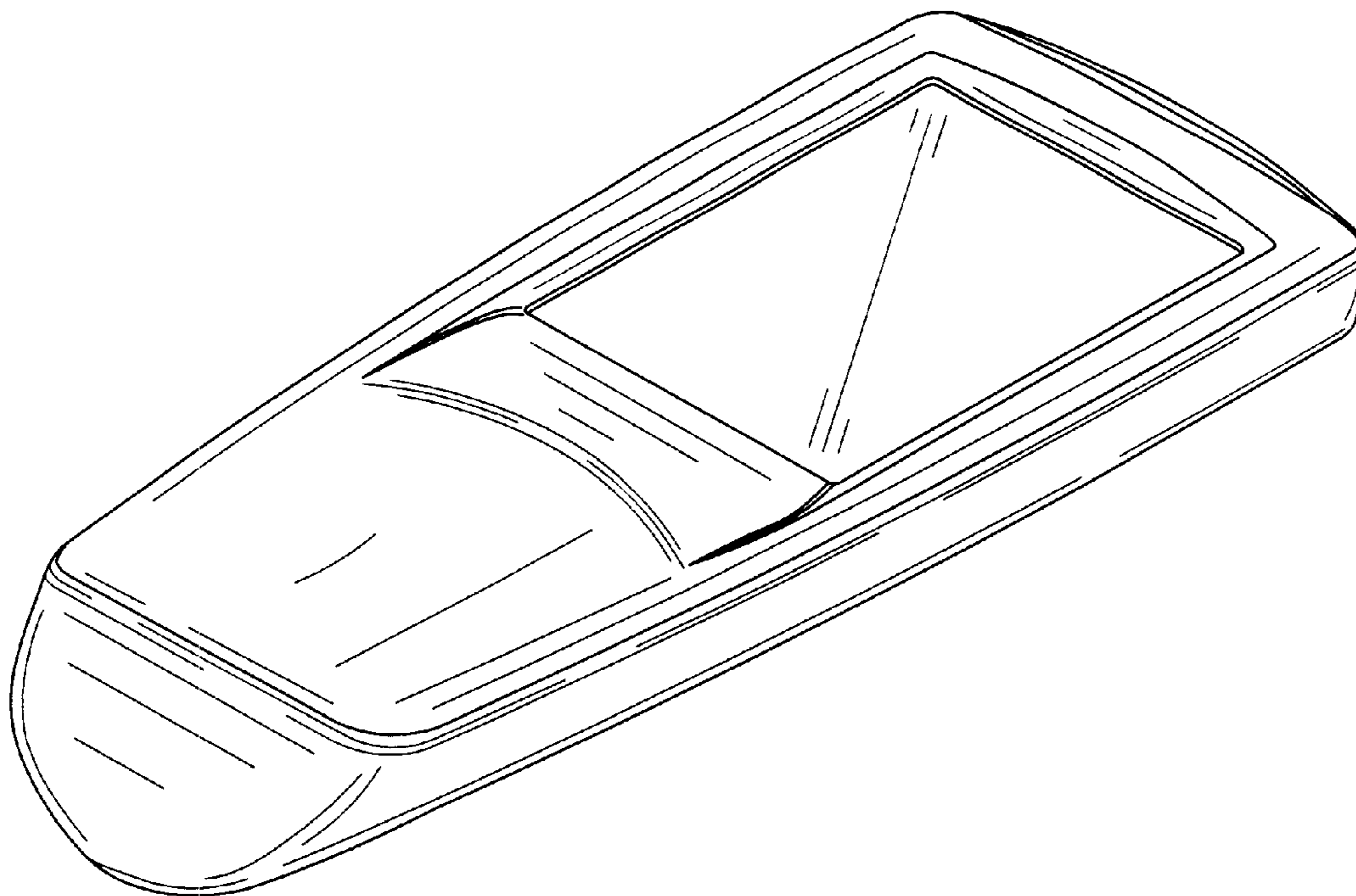
FIG. 3 is a top plan view of the hand held device body;

FIG. 4 is a rear elevation view of the hand held device body;

FIG. 5 is a side elevation view of the hand held device body; and,

FIG. 6 is a bottom plan view of the hand held device body.

1 Claim, 2 Drawing Sheets



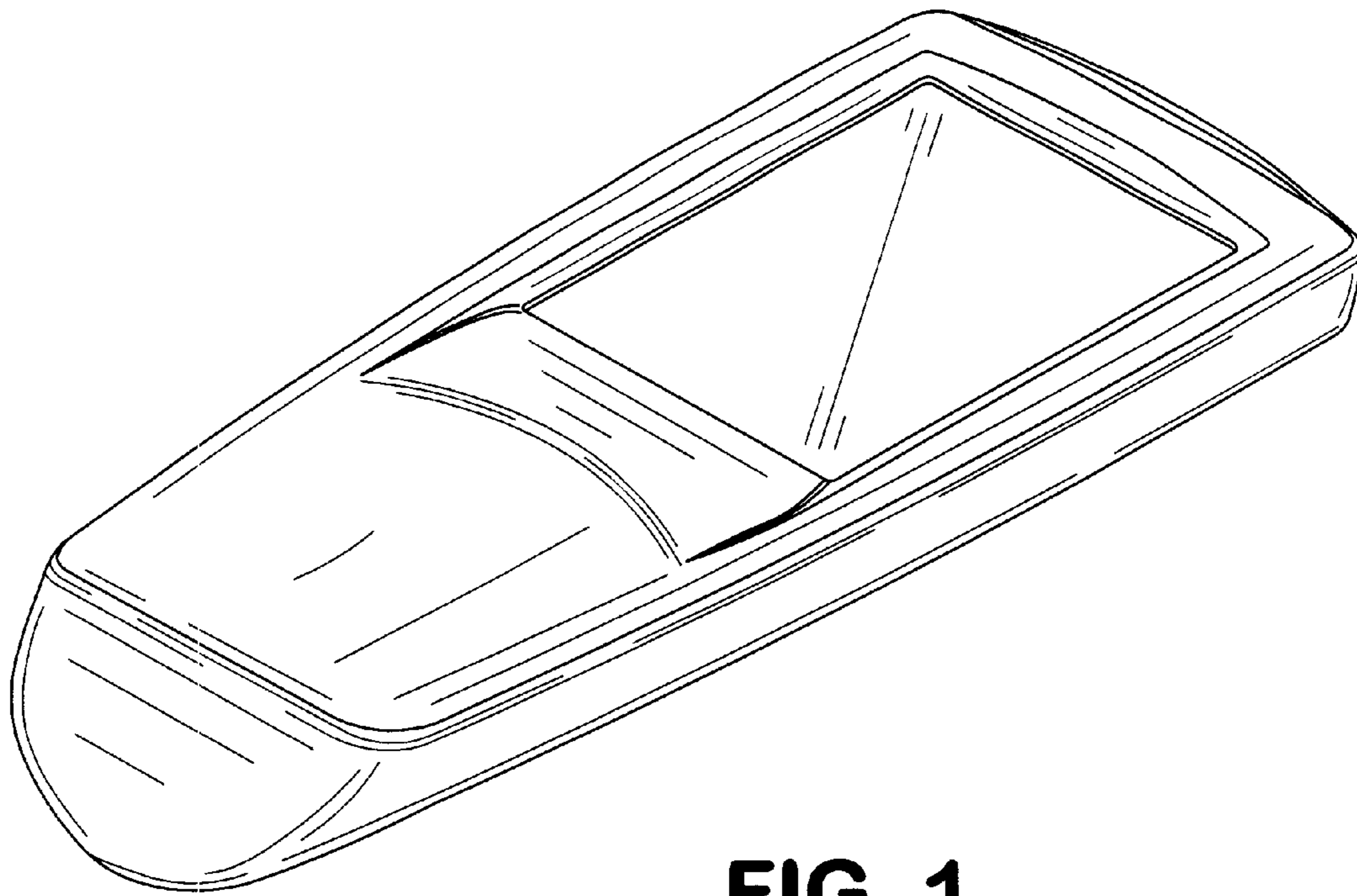


FIG. 1

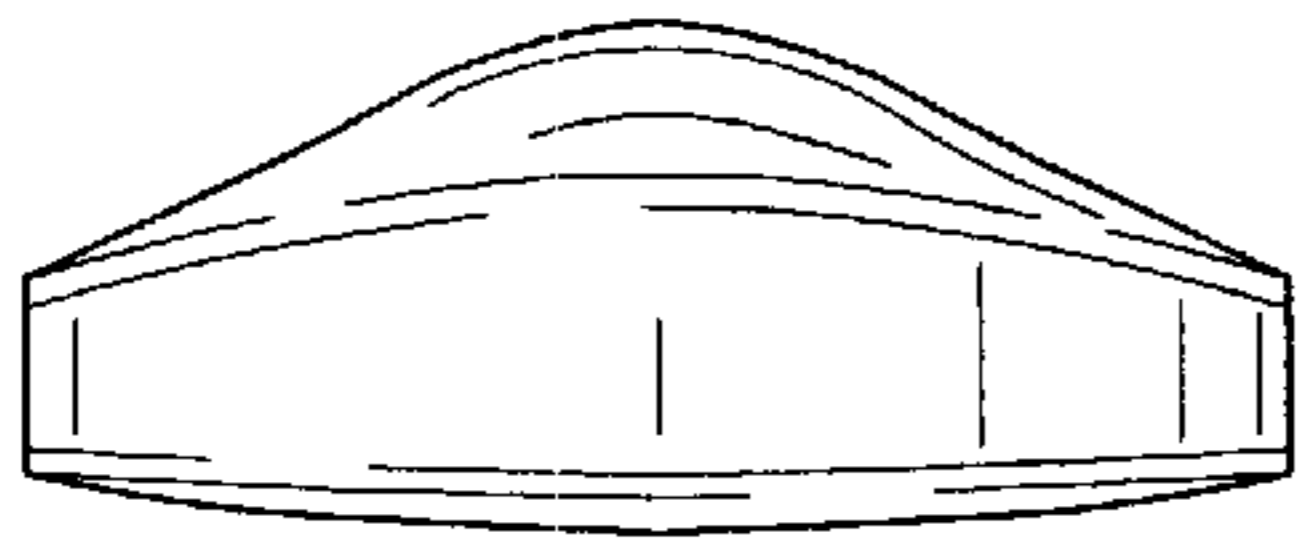


FIG. 2

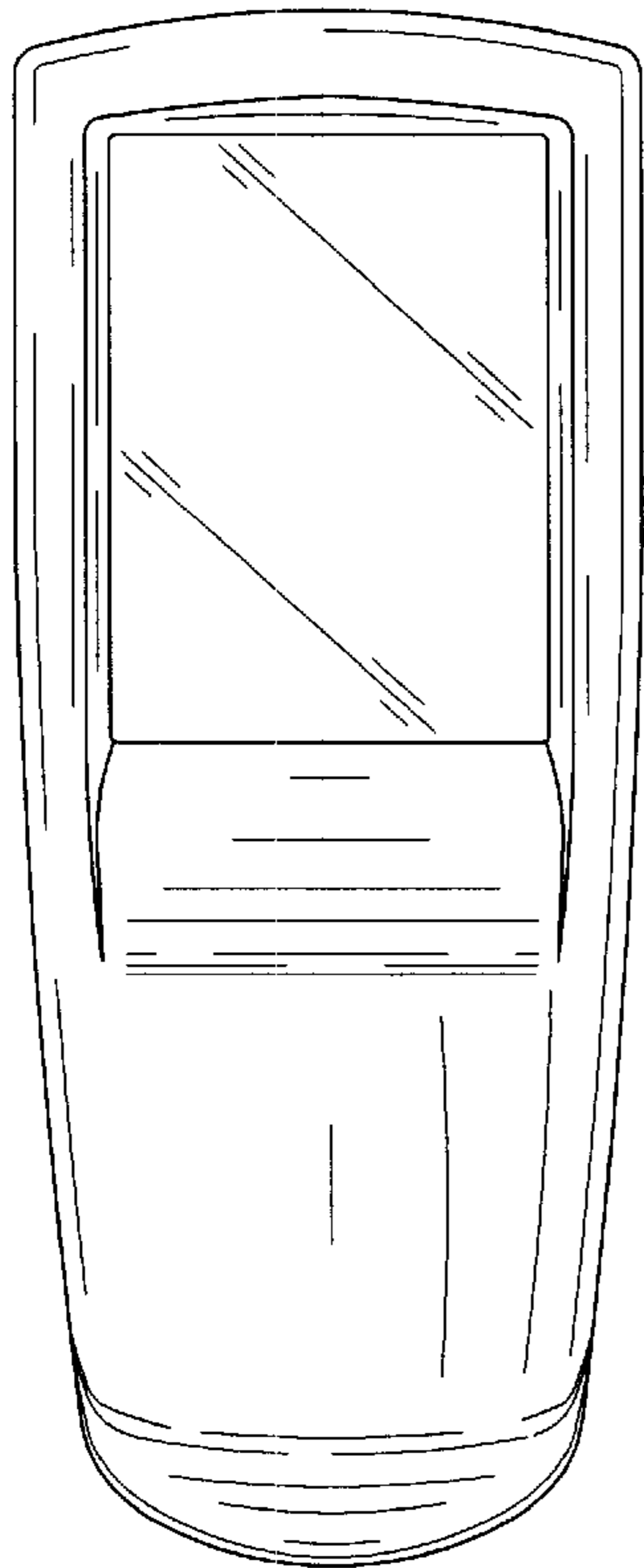


FIG. 3

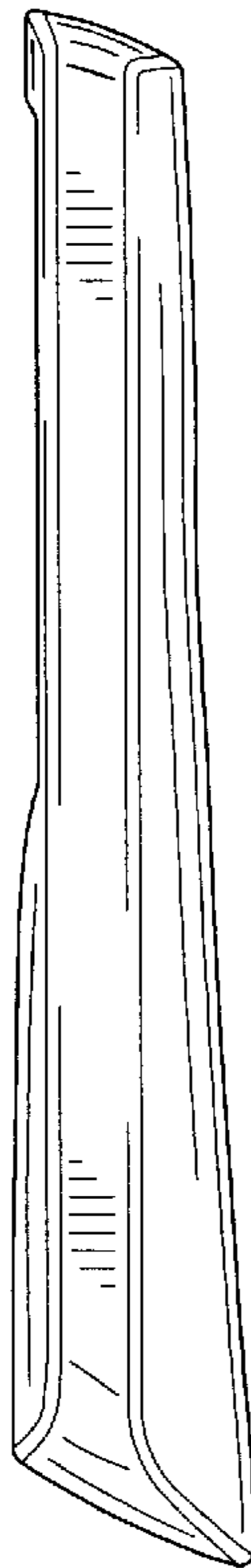


FIG. 5

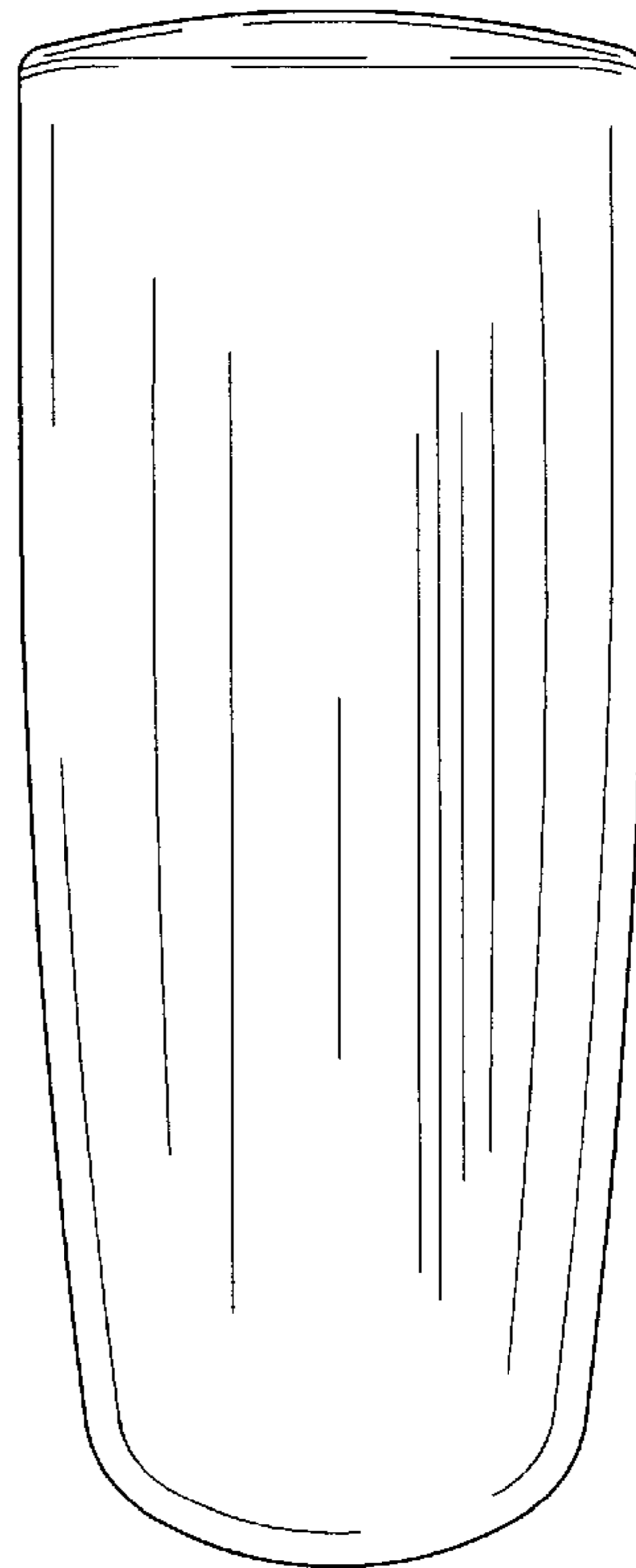


FIG. 6



FIG. 4