



US00D533513S

(12) **United States Design Patent** (10) **Patent No.:** **US D533,513 S**
Marchetto et al. (45) **Date of Patent:** **** Dec. 12, 2006**

(54) **REMOTE CONTROL**

(75) Inventors: **Oscar Marchetto**, Treviso (IT);
Roberto Gherlenda, Treviso (IT)

(73) Assignee: **Mhouse SRL**, Treviso (IT)

(**) Term: **14 Years**

(21) Appl. No.: **29/236,389**

(22) Filed: **Aug. 16, 2005**

(30) **Foreign Application Priority Data**

Feb. 17, 2005 (IT) 2005 O 000002

(51) **LOC (8) Cl.** **13-03**

(52) **U.S. Cl.** **D13/168**

(58) **Field of Classification Search** D13/168;
D10/104, 106; D14/218, 247; 340/825.22,
340/825.24, 825.25, 825.31, 825.36, 825.69,
340/825.71, 825.72; 341/20, 22, 23, 34, 173,
341/174, 176; 345/156, 168, 169; 348/734;
455/92, 95, 100, 128, 151.1–151.4, 325–355;
463/39; 700/17, 19, 20, 281

See application file for complete search history.

(56) **References Cited**

U.S. PATENT DOCUMENTS

D354,489 S * 1/1995 Patton et al. D14/218

D375,909 S * 11/1996 Dziersk et al. D10/106
D381,662 S * 7/1997 Weissberg et al. D14/218
D392,945 S * 3/1998 Barry et al. D13/168
D422,522 S * 4/2000 Lin D10/106
D452,520 S * 12/2001 Gotham et al. D16/235
6,674,364 B1 * 1/2004 Holbrook et al. 340/568.1
D495,665 S * 9/2004 Stekelenburg D13/168
D500,015 S * 12/2004 Gubbe D13/168

* cited by examiner

Primary Examiner—Selina Sikder

(74) *Attorney, Agent, or Firm*—Wenderoth, Lind & Ponack,
L.L.P.

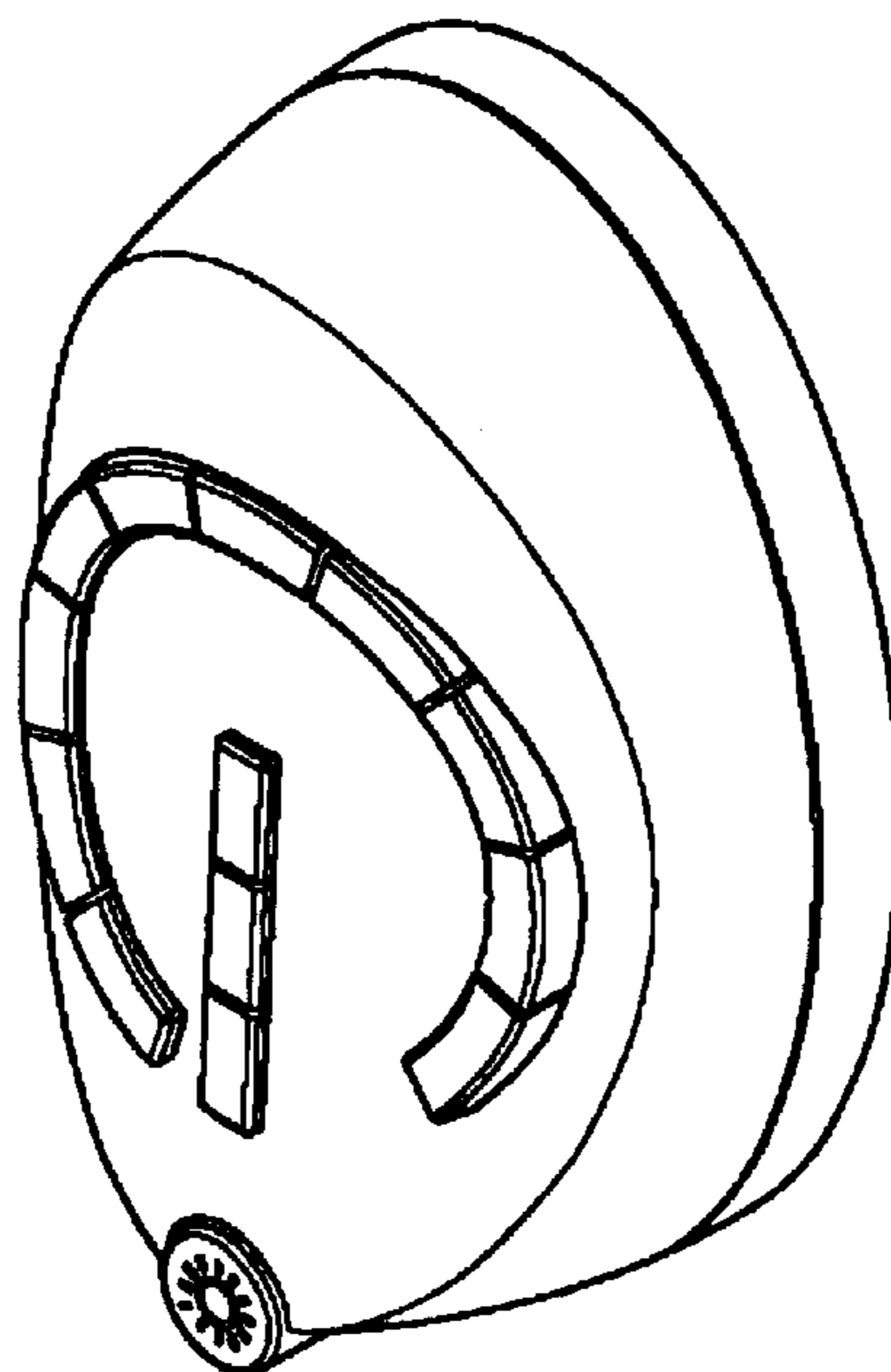
(57) **CLAIM**

The ornamental design for remote control, as shown and described.

DESCRIPTION

FIG. 1 is a perspective view thereof;
FIG. 2 is a top view thereof;
FIG. 3 is a bottom view thereof;
FIG. 4 is a right lateral view thereof;
FIG. 5 is a left lateral view thereof;
FIG. 6 is a rear view thereof; and,
FIG. 7 is a front view thereof.

1 Claim, 4 Drawing Sheets



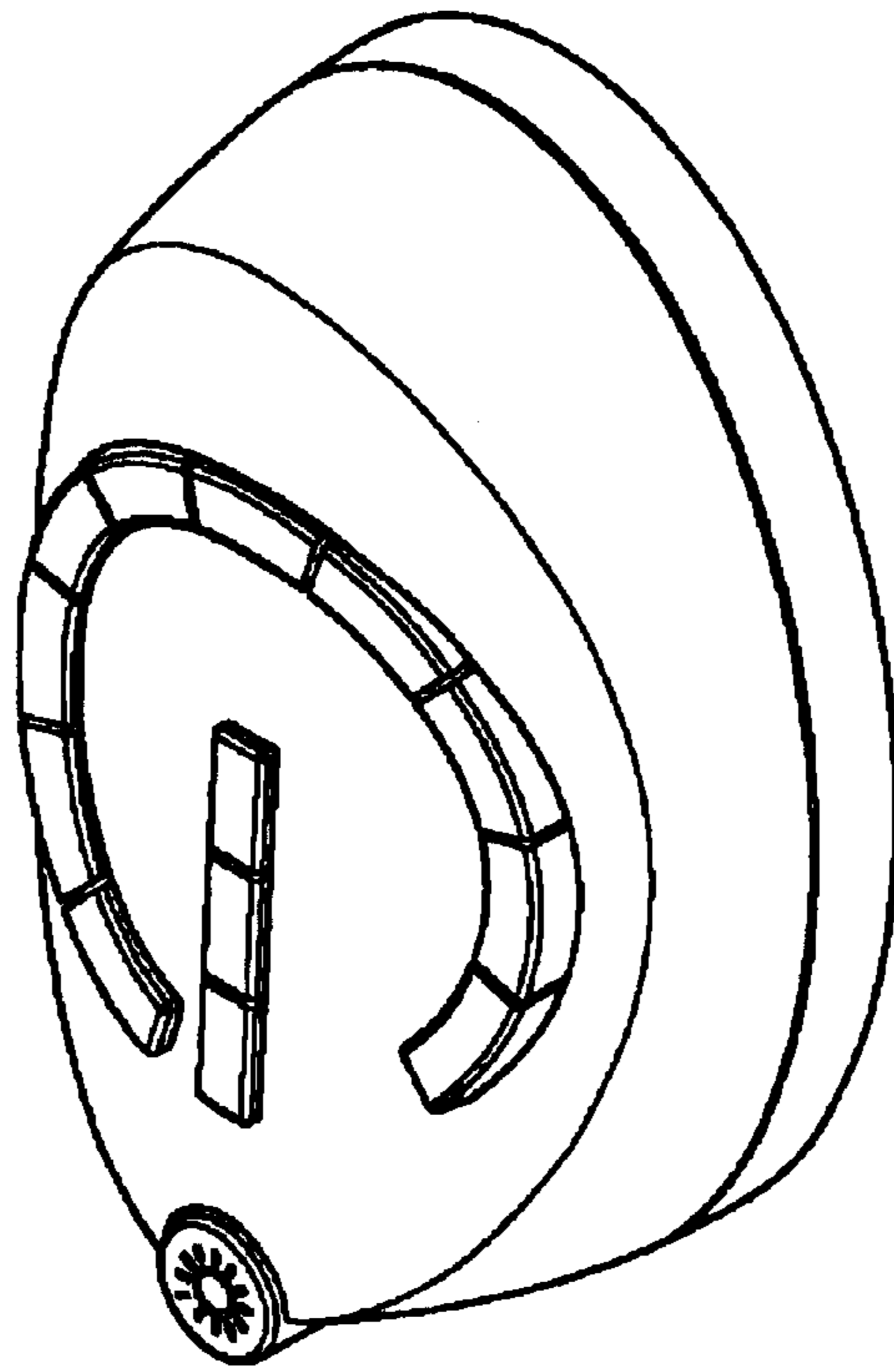


FIG. 1

FIG. 3

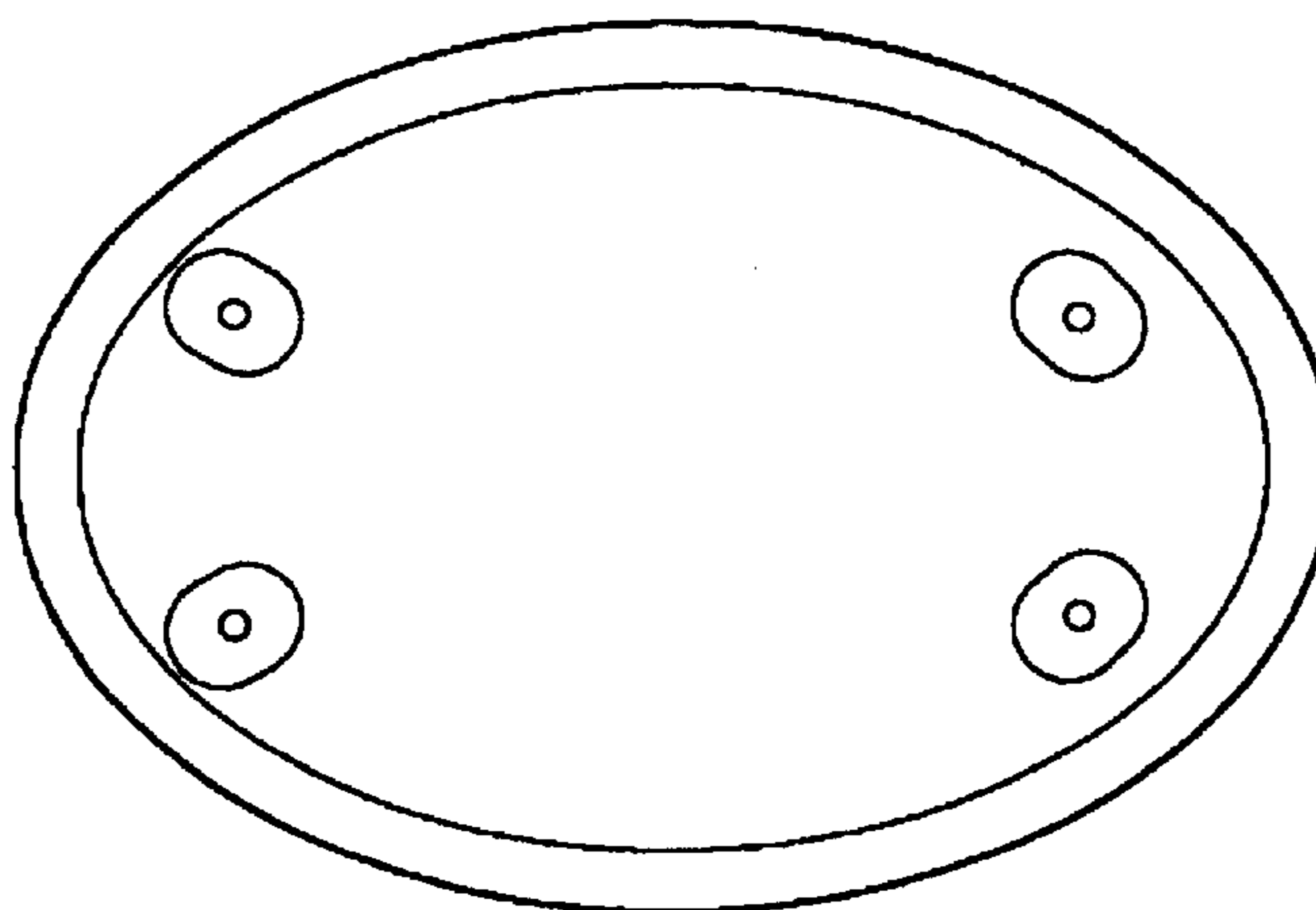


FIG. 2

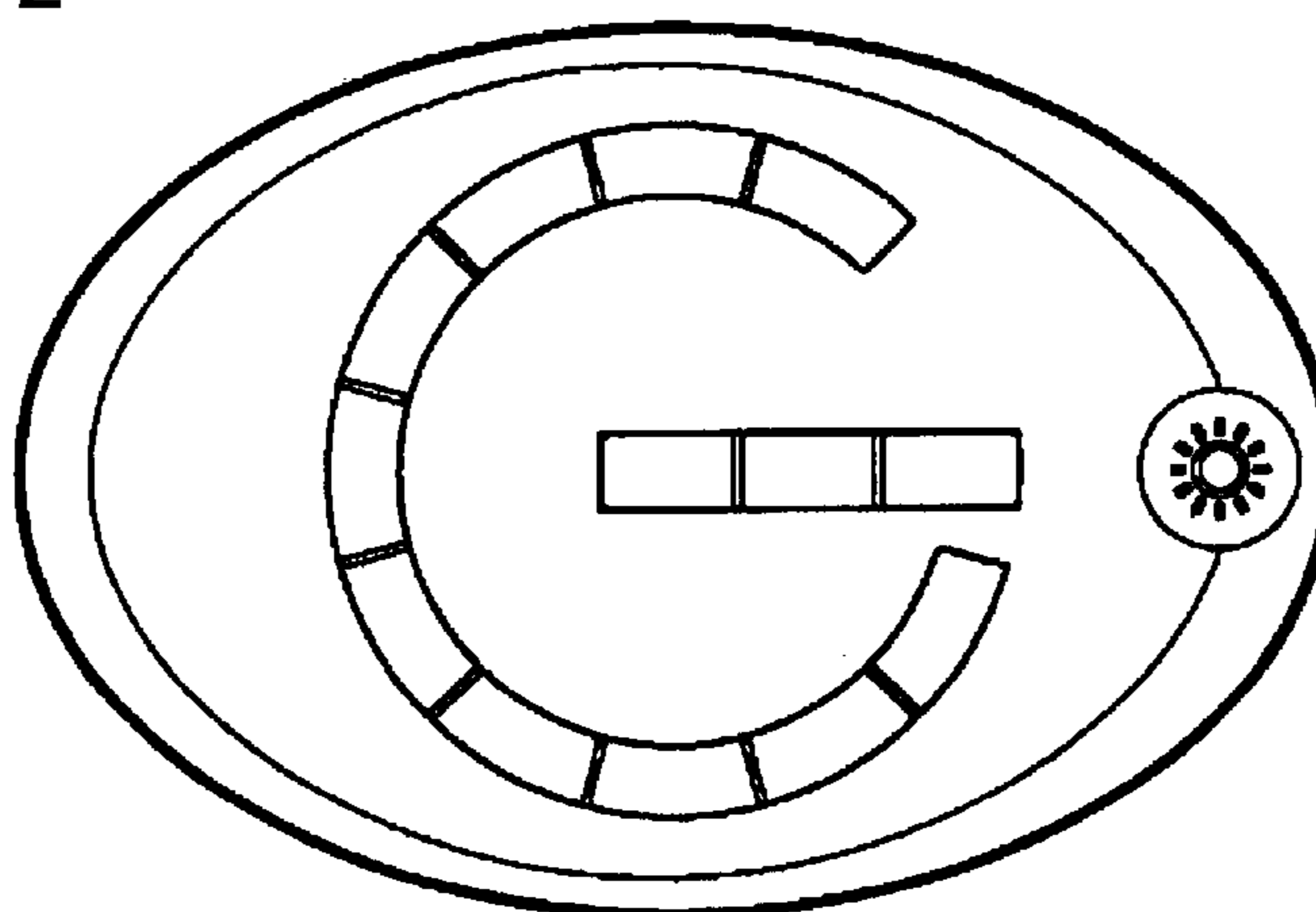


FIG. 5

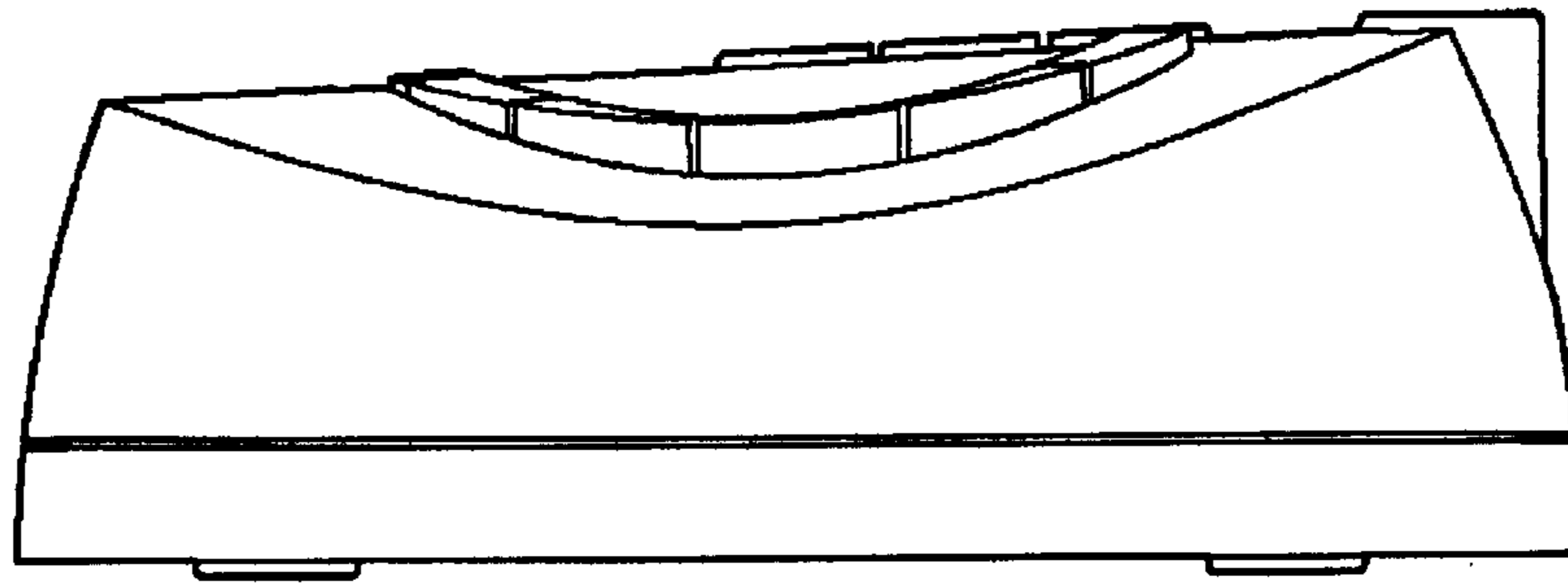
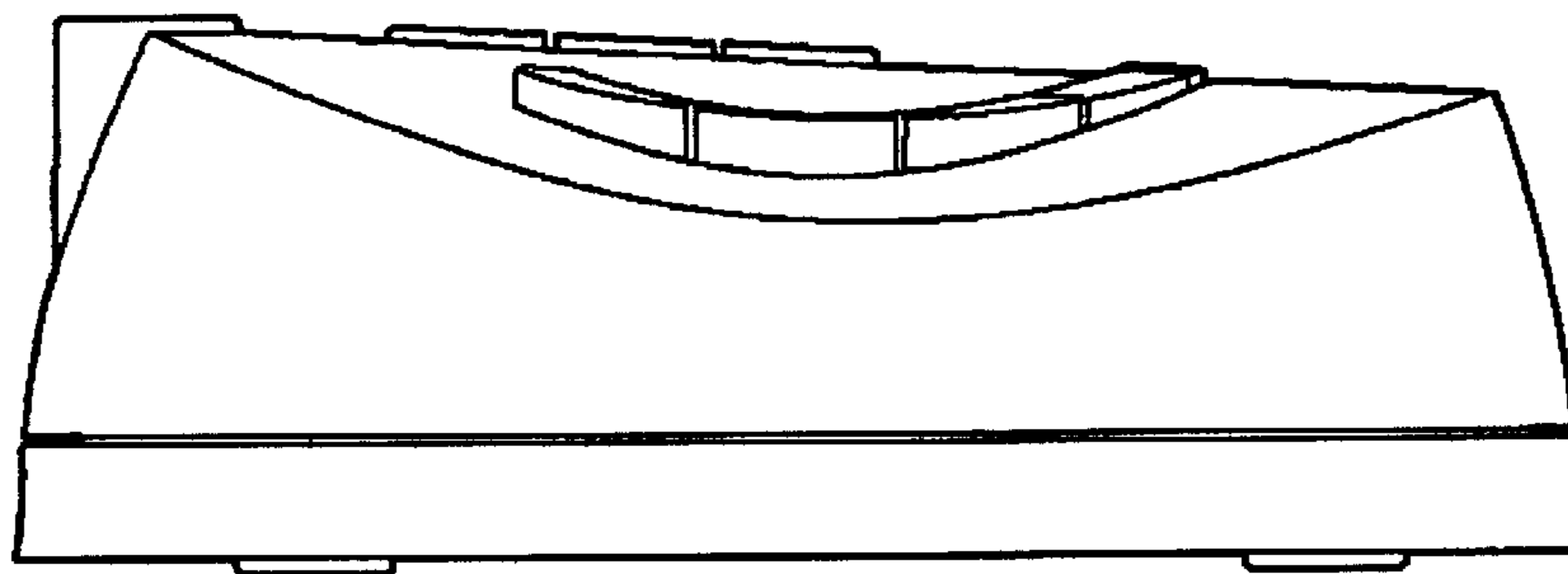


FIG. 4



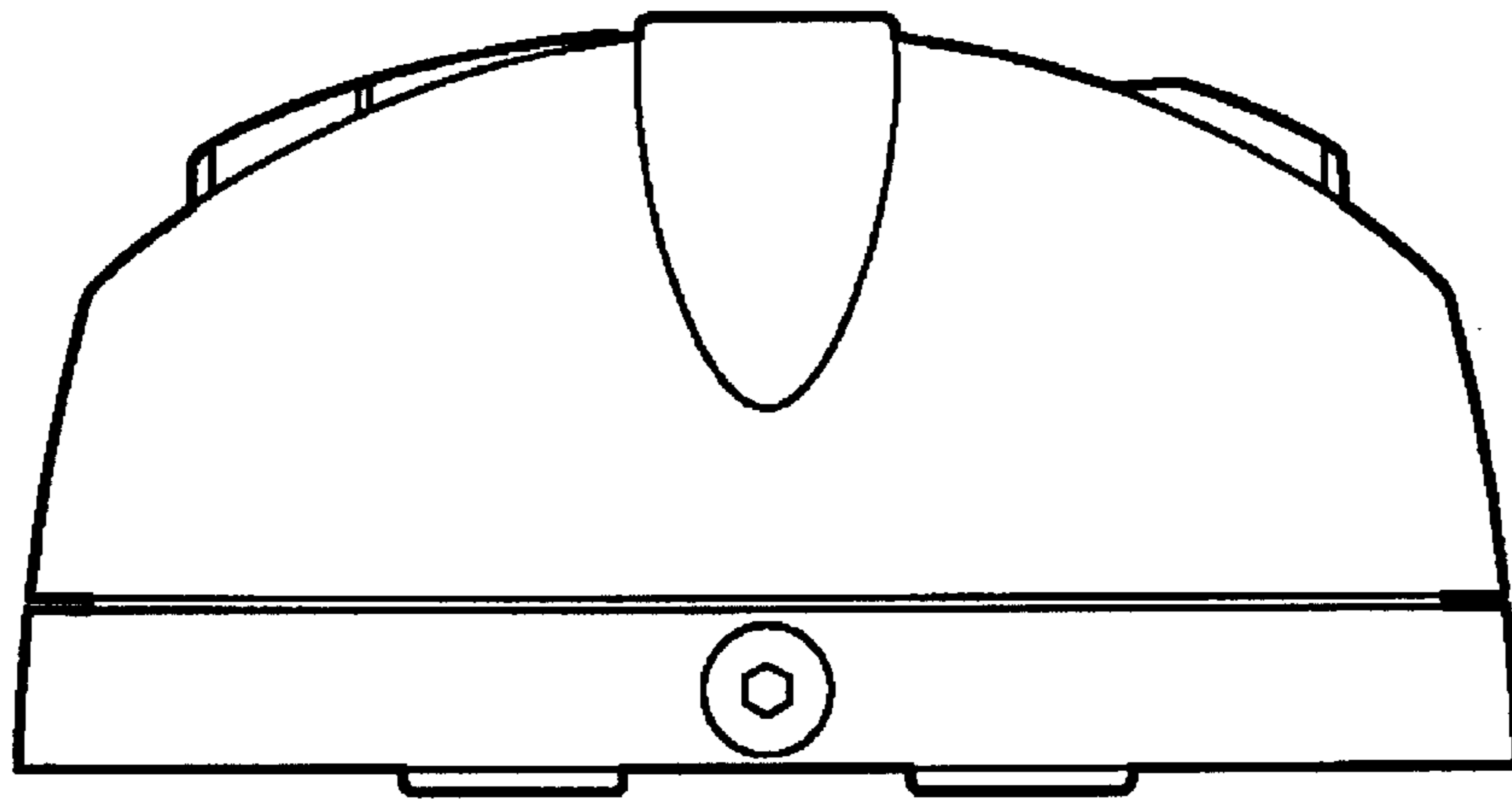


FIG. 7

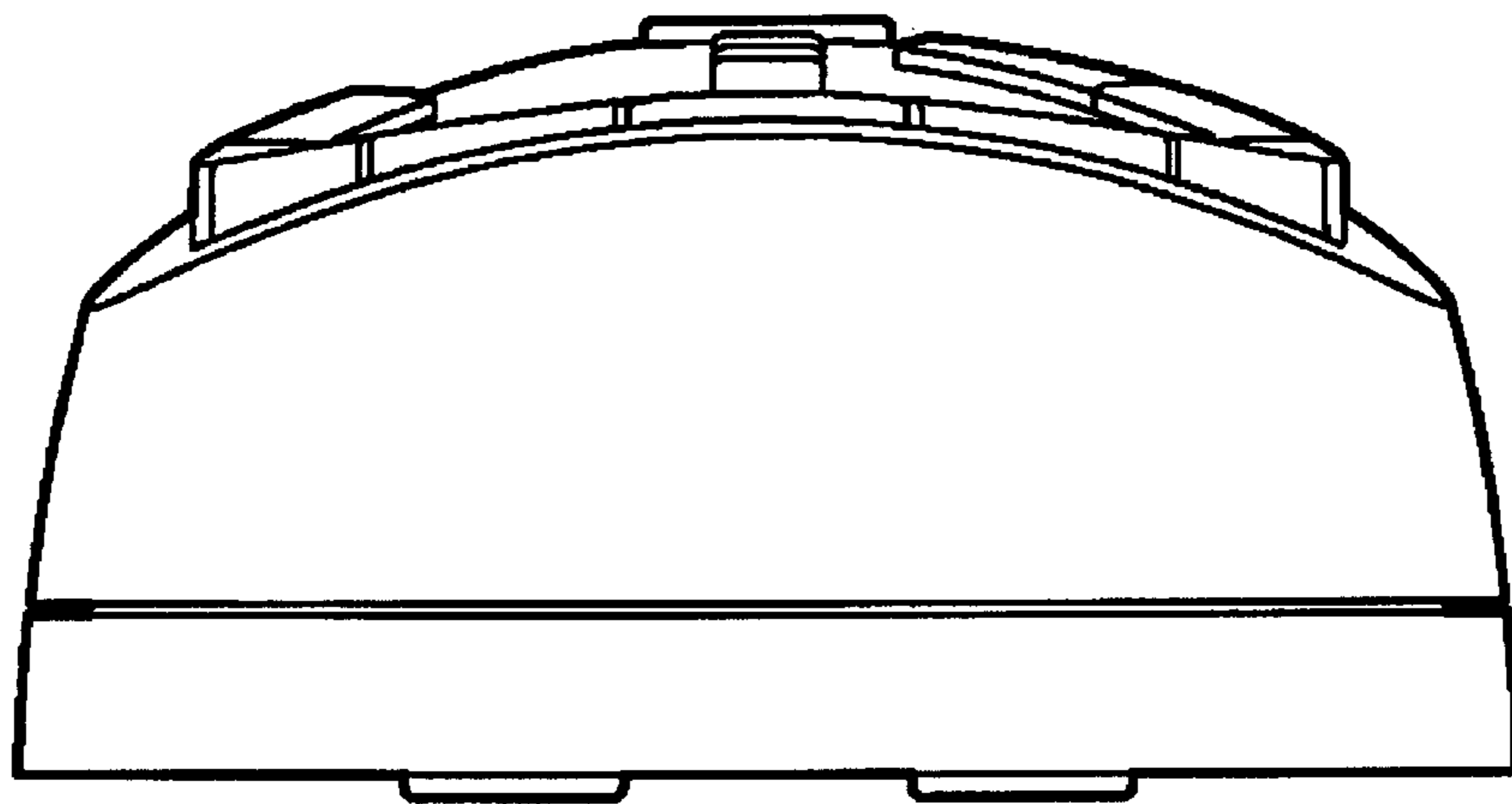


FIG. 6