



US00D533510S

(12) **United States Design Patent**
Guercio

(10) **Patent No.:** **US D533,510 S**

(45) **Date of Patent:** **** Dec. 12, 2006**

(54) **IN-USE COVER FOR A SINGLE GANG
RECTANGULAR BOX**

(75) Inventor: **Vincenzo Guercio**, Wallkill, NY (US)

(73) Assignee: **RAB Lighting, Inc.**, Northvale, NJ
(US)

(**) Term: **14 Years**

(21) Appl. No.: **29/236,744**

(22) Filed: **Aug. 18, 2005**

(51) **LOC (8) Cl.** **13-03**

(52) **U.S. Cl.** **D13/152**

(58) **Field of Classification Search** D13/126,
D13/139.4, 147, 152, 158, 184; 174/480-481,
174/53-54, 58; 220/3.2-3.3, 3.6-3.9; 439/535-536
See application file for complete search history.

(56) **References Cited**

U.S. PATENT DOCUMENTS

D117,420	S	*	10/1939	Walker	D13/152
3,636,498	A	*	1/1972	McQuarrie	439/366
D274,721	S	*	7/1984	Smith	D14/240
4,502,609	A	*	3/1985	Christatos	220/3.8
D332,088	S	*	12/1992	Nimpoeno et al.	D13/184
5,228,584	A	*	7/1993	Williams, Jr.	220/3.8

D349,687	S	*	8/1994	Khoo et al.	D13/162
D357,899	S	*	5/1995	Hopkins et al.	D13/152
D367,646	S	*	3/1996	Schneider et al.	D13/152
D385,850	S	*	11/1997	DiMichele	D13/152
D437,586	S	*	2/2001	Sonntag	D13/184
D464,643	S	*	10/2002	Hill et al.	D14/240
D507,241	S	*	7/2005	Koessler	D13/152

* cited by examiner

Primary Examiner—Alan P. Douglas

Assistant Examiner—Rosemary K. Tarcza

(74) *Attorney, Agent, or Firm*—Darby & Darby

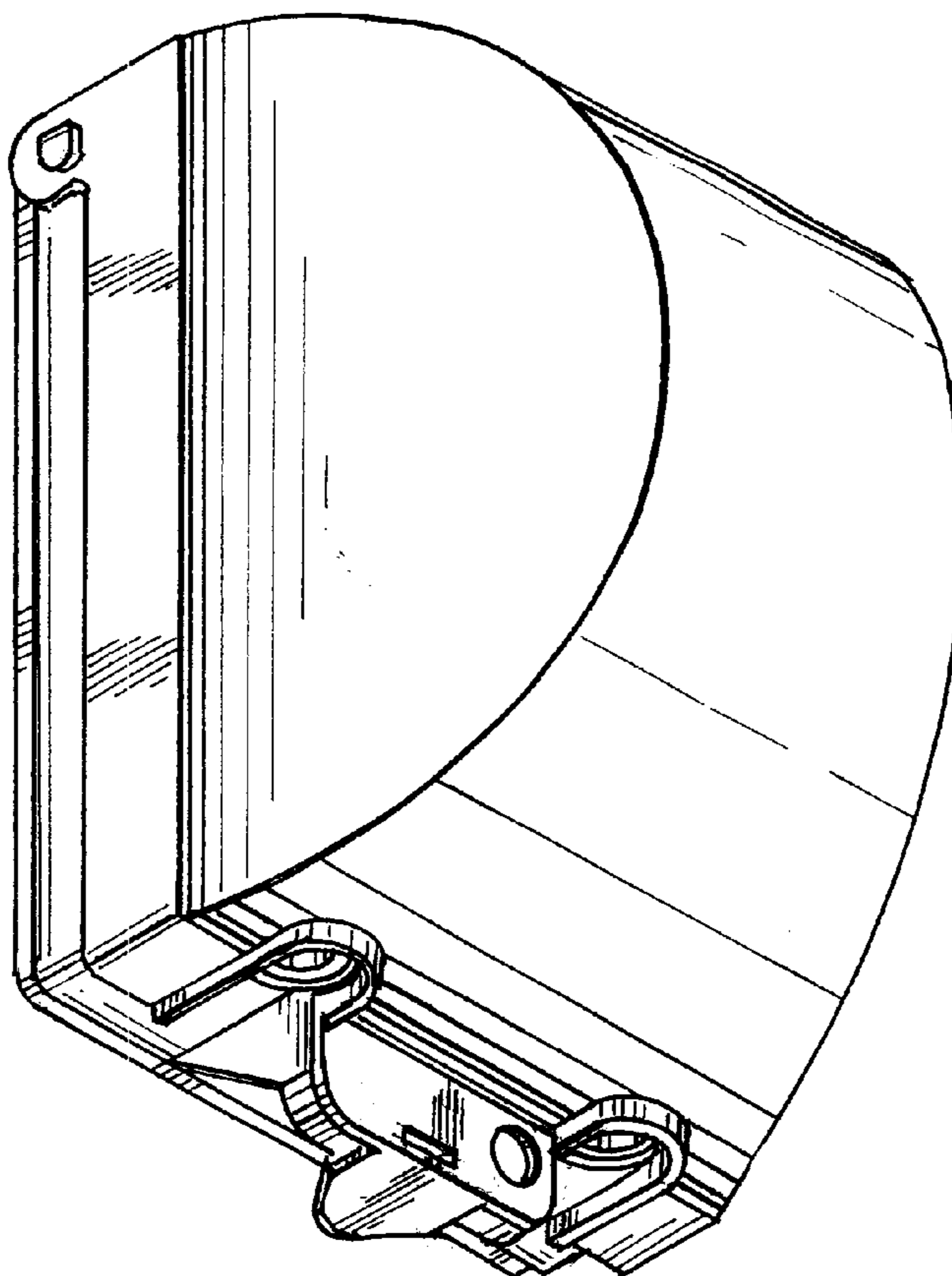
(57) **CLAIM**

The ornamental design for a in-use cover for a single gang rectangular box, as shown and described.

DESCRIPTION

FIG. 1 is a perspective view of an in-use cover for a single gang rectangular box;
FIG. 2 is a front view of the cover of FIG. 1;
FIG. 3 is a left side view of the cover of FIG. 1, the right side view being a mirror image thereof;
FIG. 4 is a rear view of the cover of FIG. 1;
FIG. 5 is a top view of the cover of FIG. 1; and,
FIG. 6 is a bottom view of the cover of FIG. 1.

1 Claim, 2 Drawing Sheets



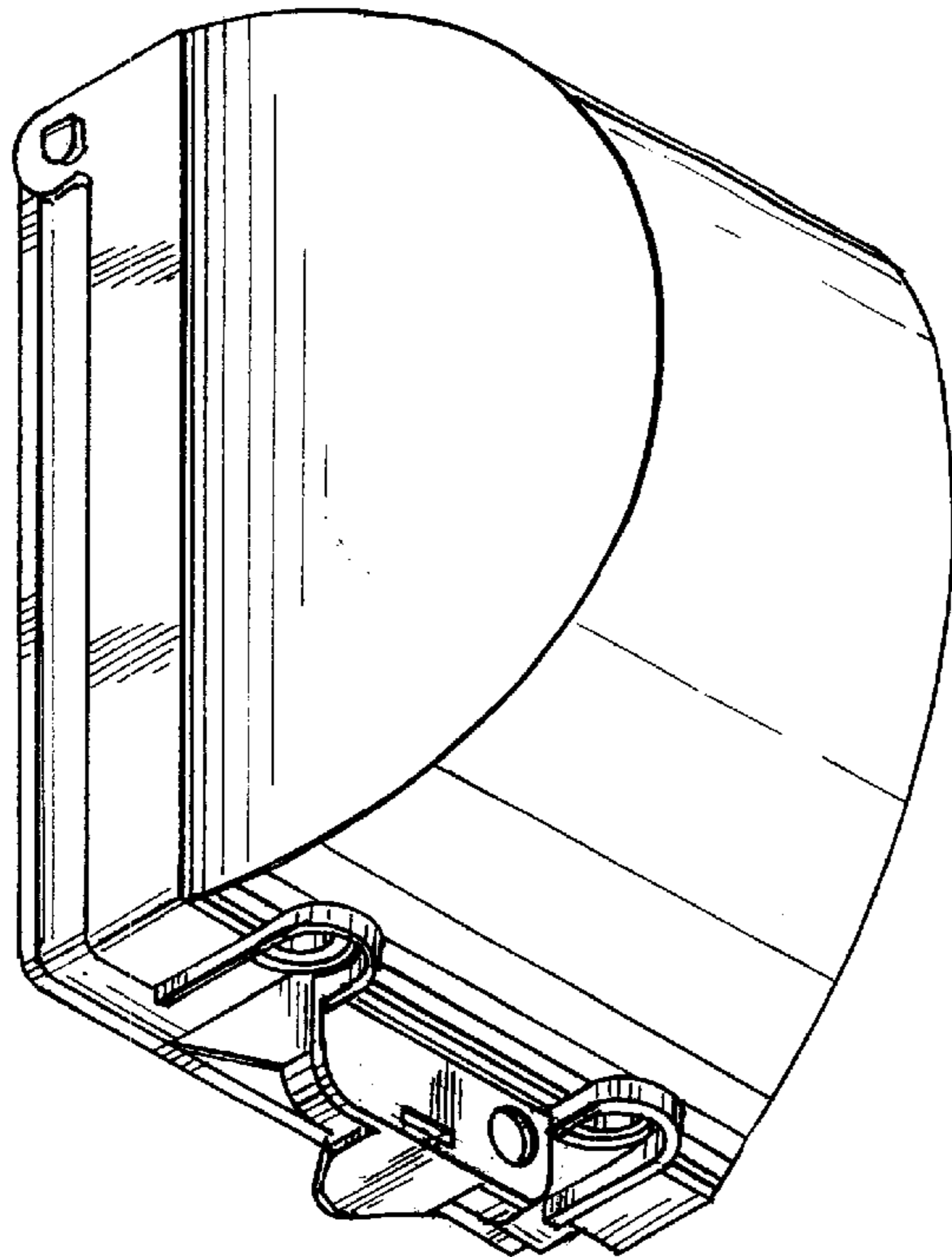


FIG. 1

FIG. 2

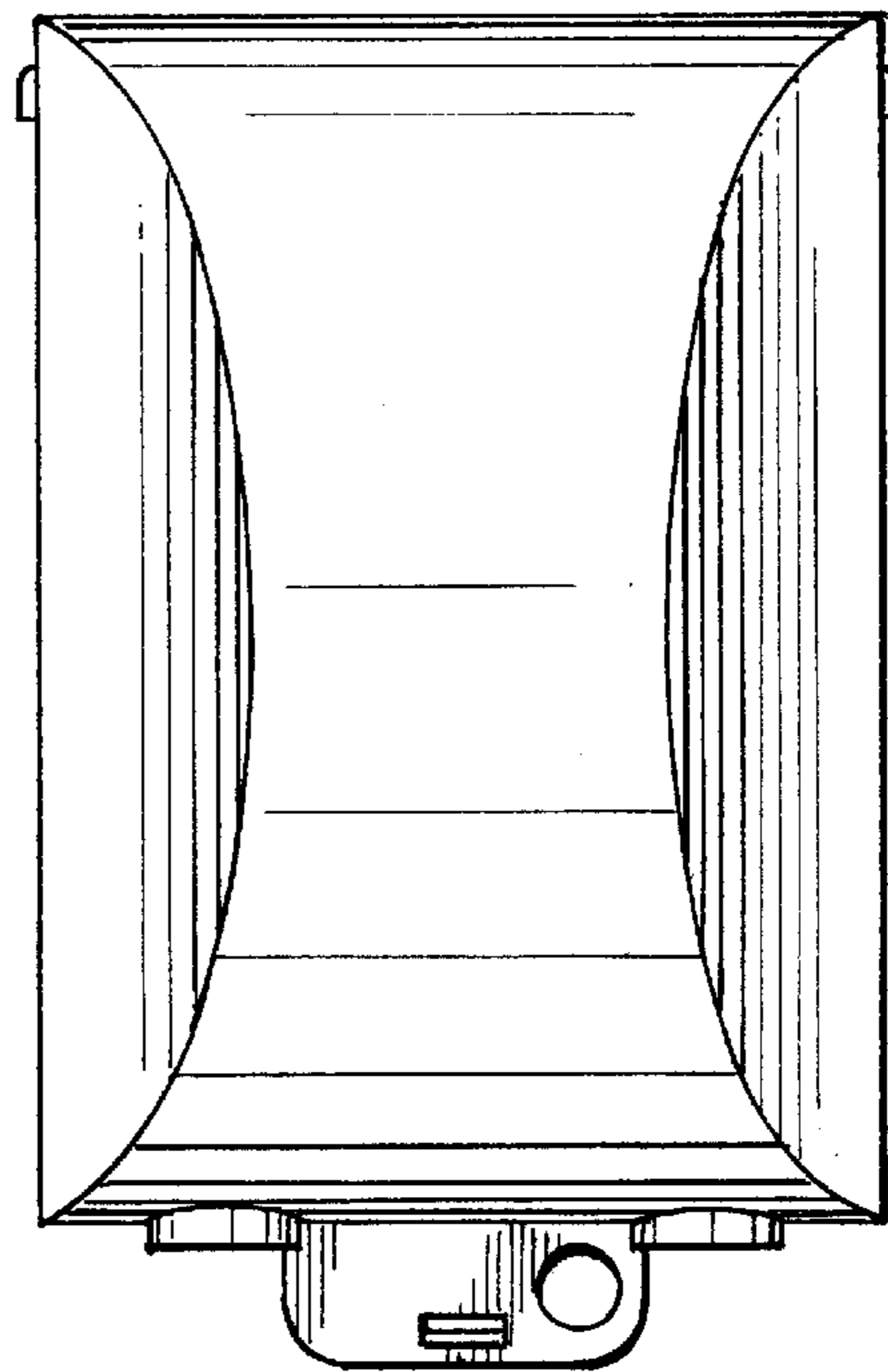
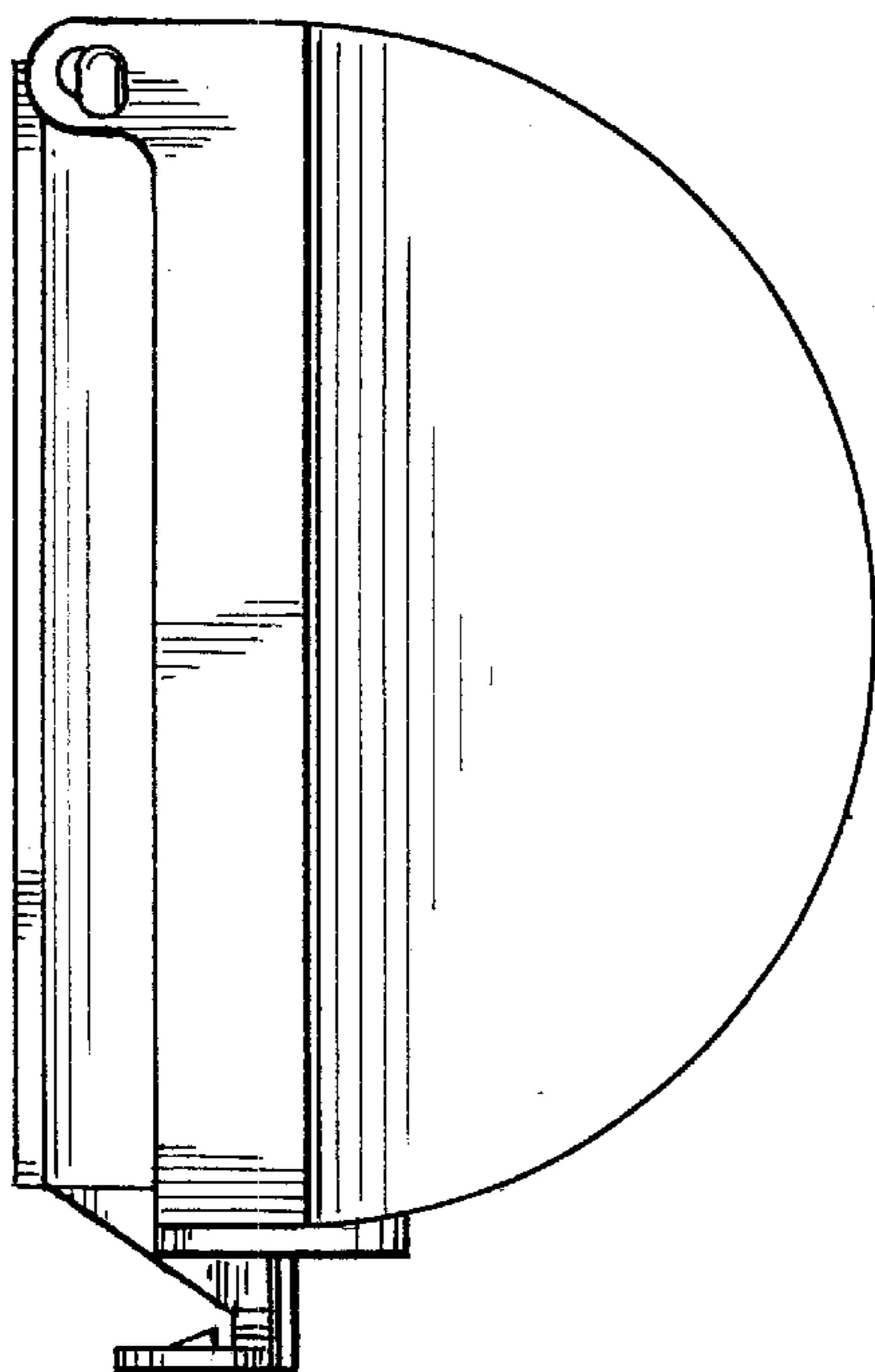


FIG. 3



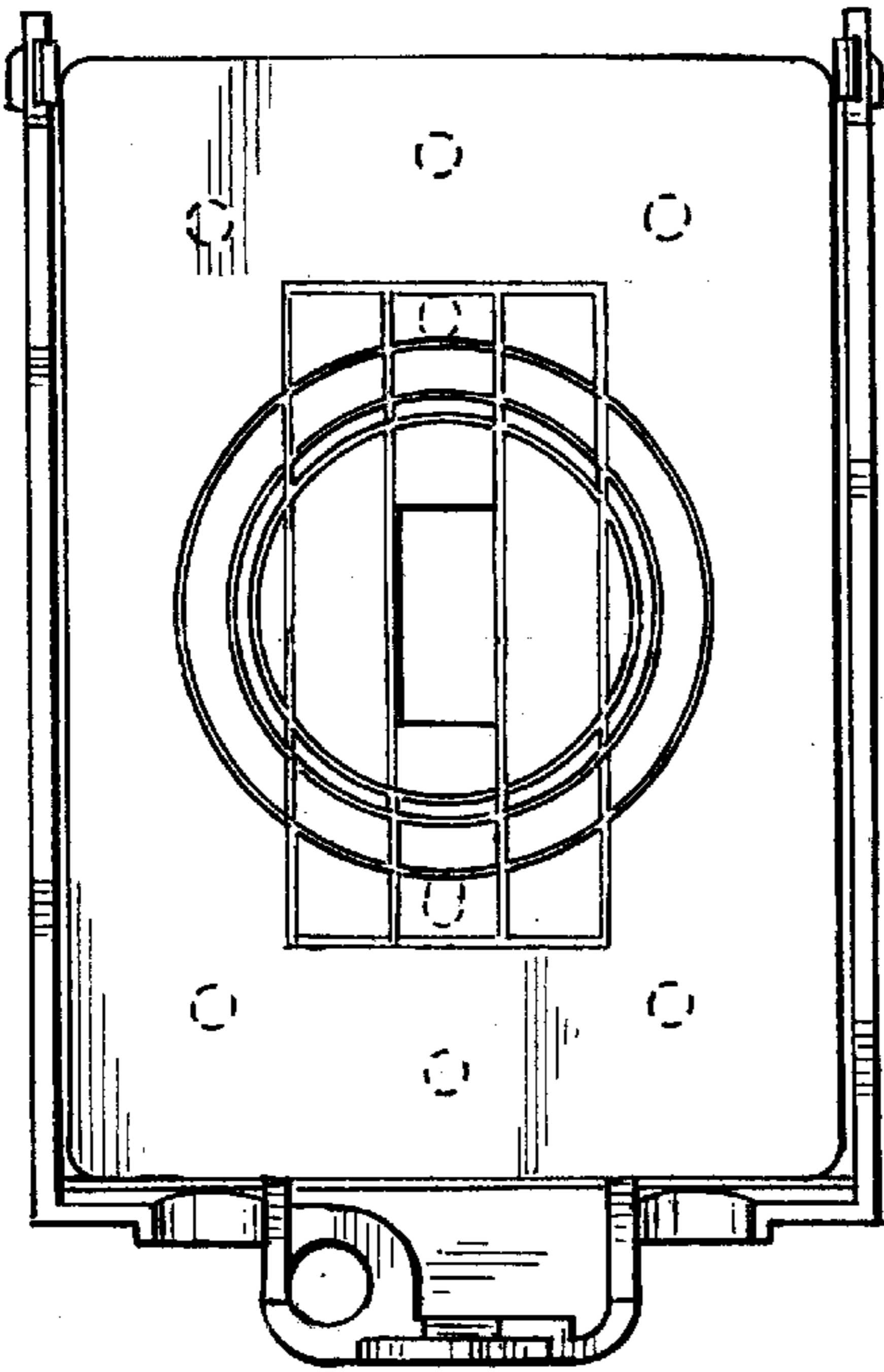


FIG. 4

FIG. 5

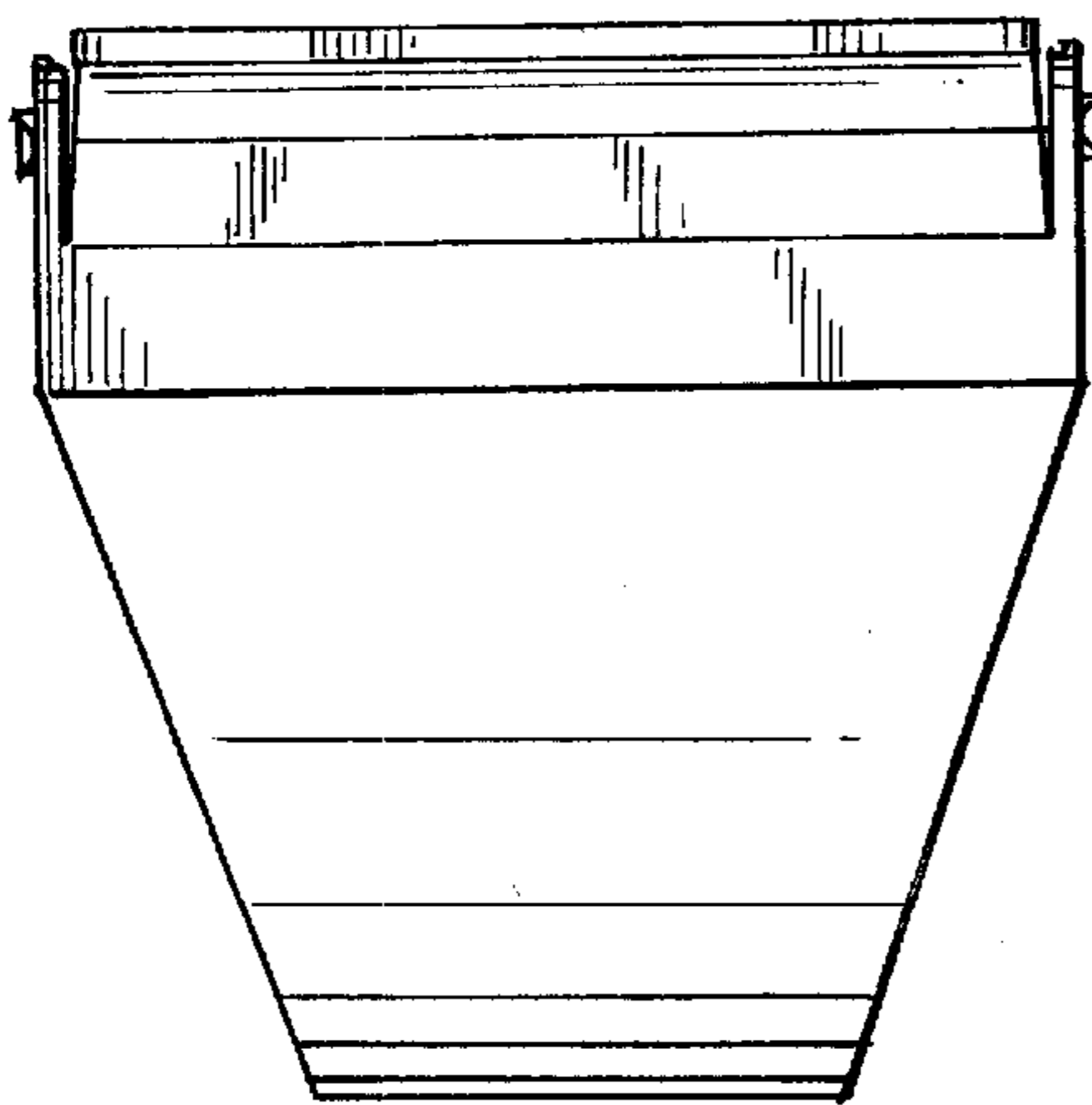


FIG. 6

