

US00D533509S

(12) **United States Design Patent**
Wu

(10) **Patent No.:** **US D533,509 S**

(45) **Date of Patent:** **** Dec. 12, 2006**

(54) **ELECTRIC CABLE CLAMP**

(76) **Inventor:** **YueQin Wu**, Skywise Gong Ye Qu Xin
Tian Guan Lan Town, Shenzhen City
(CN)

(**) **Term:** **14 Years**

(21) **Appl. No.:** **29/230,881**

(22) **Filed:** **May 31, 2005**

(51) **LOC (8) Cl.** **13-03**

(52) **U.S. Cl.** **D13/149; D8/395**

(58) **Field of Classification Search** D13/133,
D13/148-149, 154, 184; D8/330, 382-383,
D8/394-396; 439/266, 476.1, 754-755, 757,
439/759, 769, 773; 248/74.1, 74.2, 229.14
See application file for complete search history.

(56) **References Cited**

U.S. PATENT DOCUMENTS

D215,545 S * 10/1969 Husks D13/133
5,725,185 A * 3/1998 Auclair 248/74.2
6,011,218 A * 1/2000 Burek et al. 174/40 CC
6,431,502 B1 * 8/2002 Goodman 248/74.1

D473,130 S * 4/2003 Leung D8/396
D484,592 S * 12/2003 Ryhman et al. D24/128
6,943,299 B1 * 9/2005 Daume 174/78
2002/0070317 A1 * 6/2002 Goodman 248/74.1

* cited by examiner

Primary Examiner—Stella Reid
Assistant Examiner—Daniel Bui

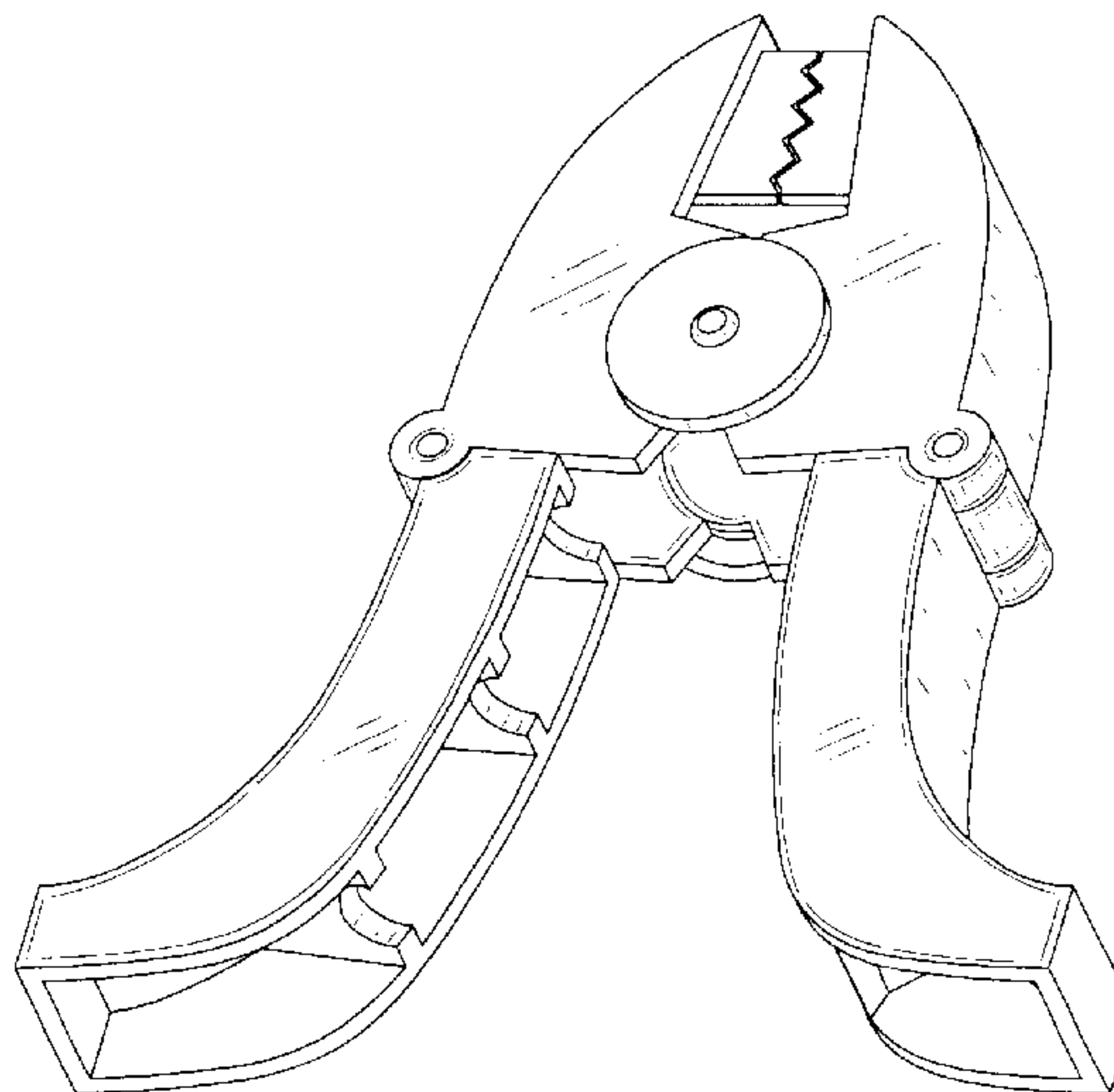
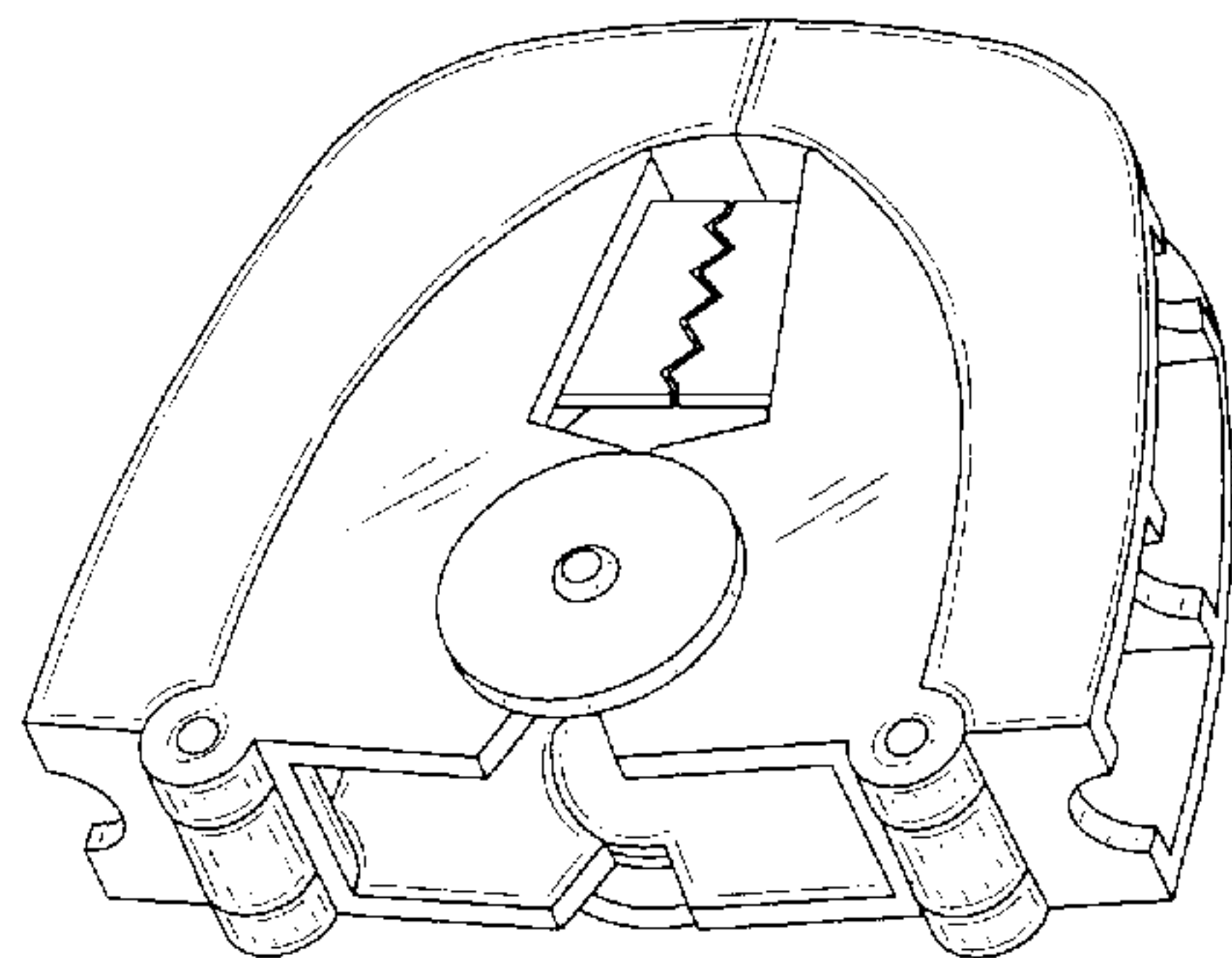
(57) **CLAIM**

The ornamental design for an electric cable clamp, as shown.

DESCRIPTION

FIG. 1 is a perspective view of an electric cable clamp showing my new design.
FIG. 2 is a front view thereof.
FIG. 3 is a rear view thereof.
FIG. 4 is a right end view thereof.
FIG. 5 is a left end view thereof.
FIG. 6 is a top view thereof.
FIG. 7 is a bottom view thereof; and,
FIG. 8 is a perspective view showing an expanded position thereof.

1 Claim, 8 Drawing Sheets



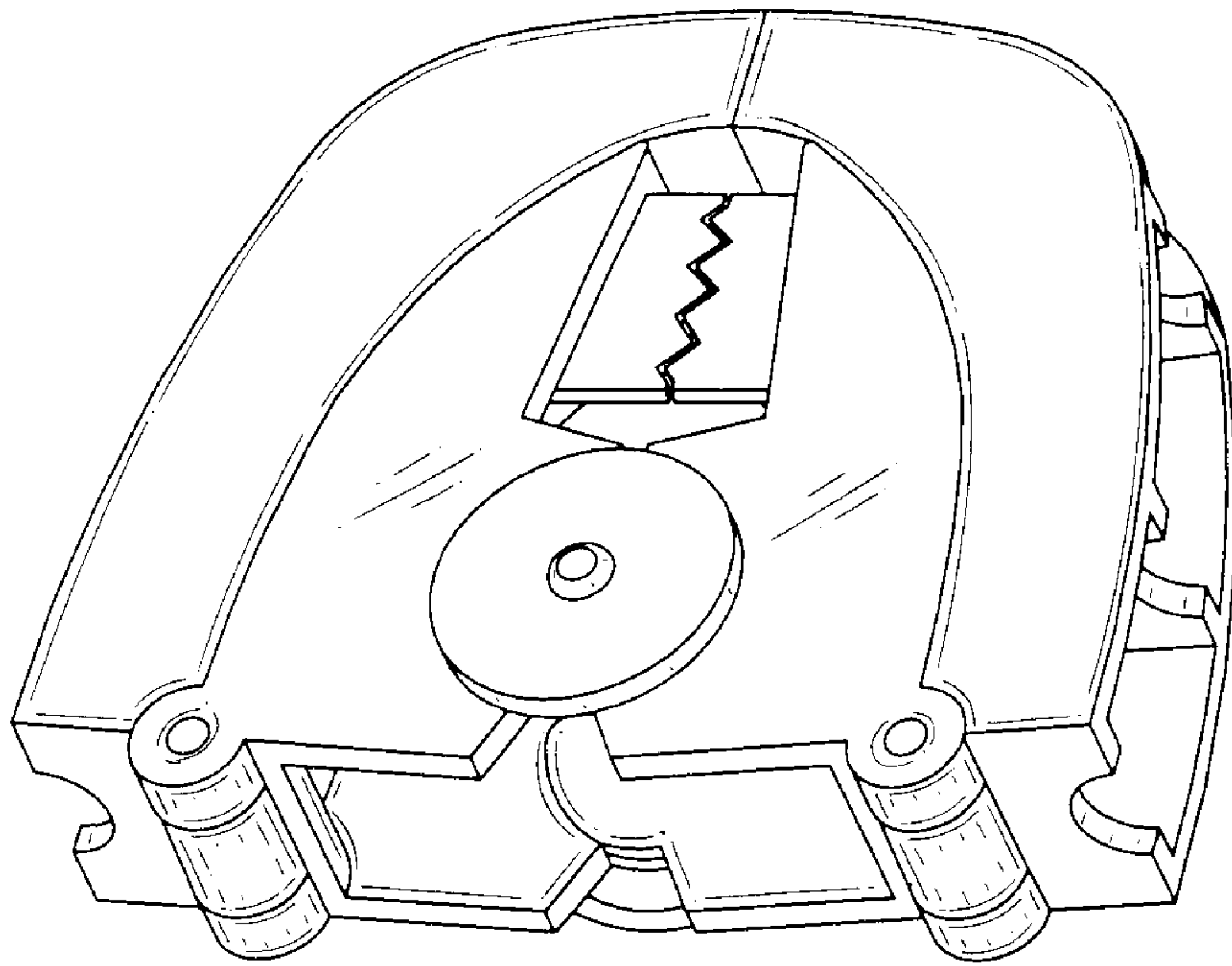


FIG.1

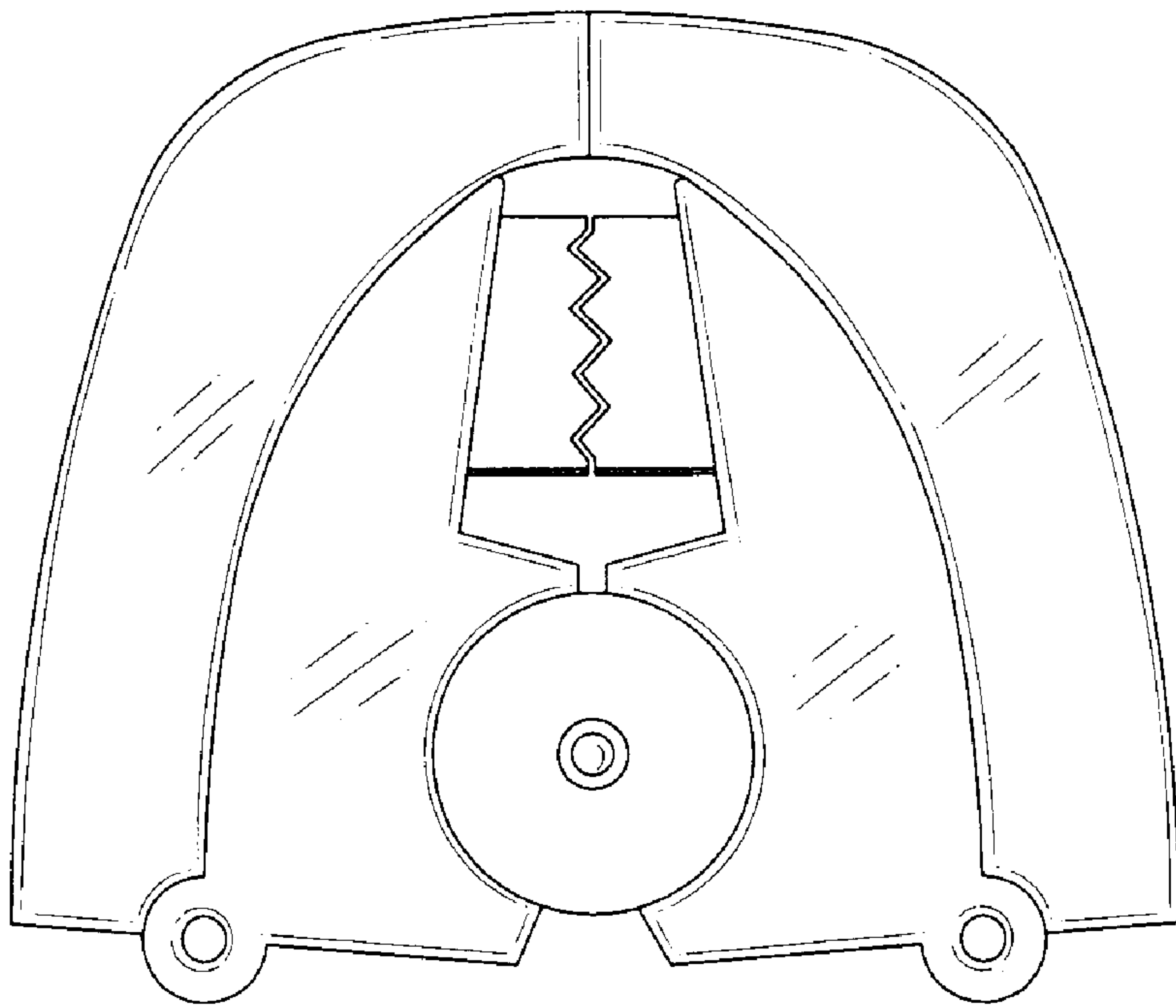


FIG.2

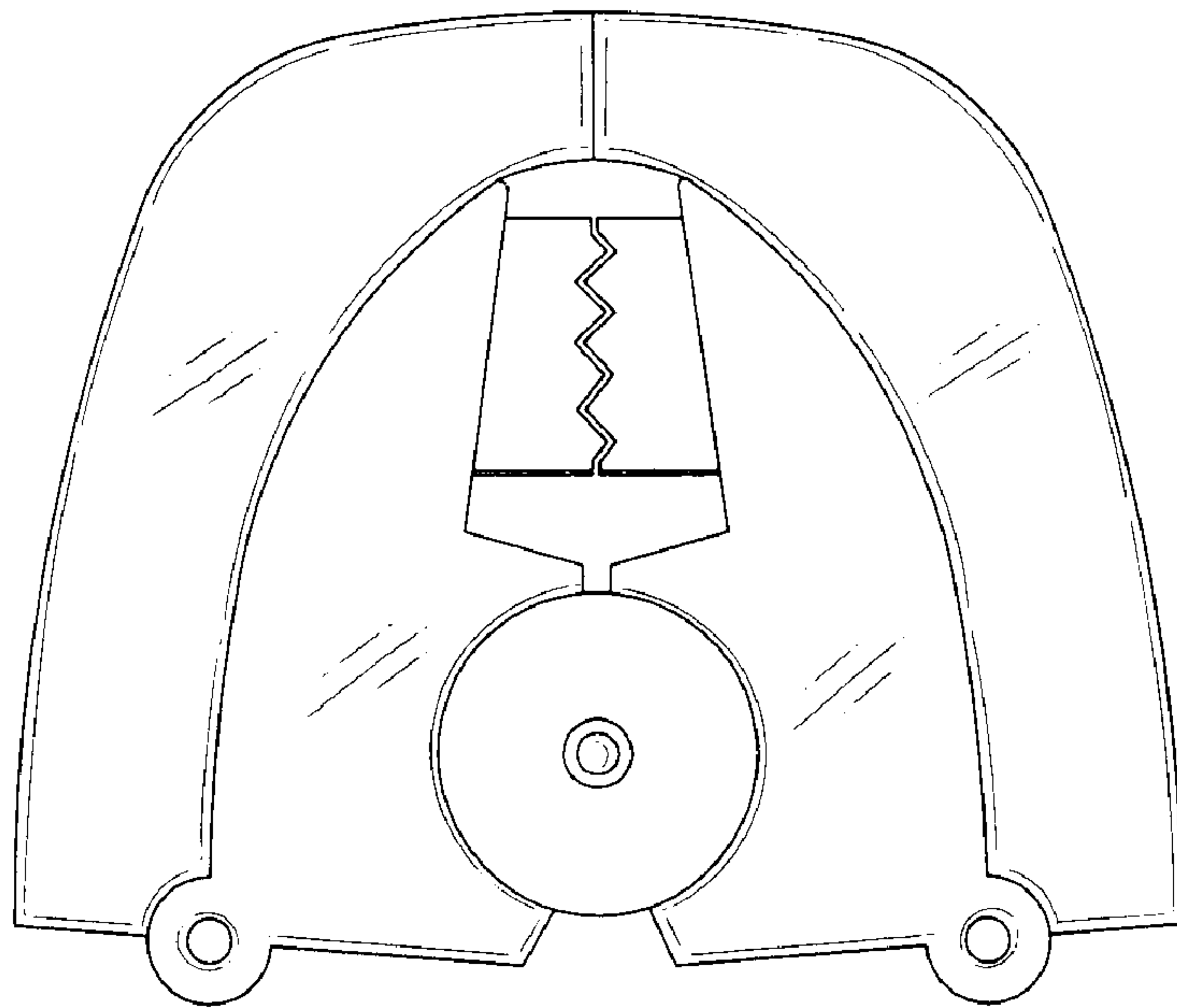


FIG.3

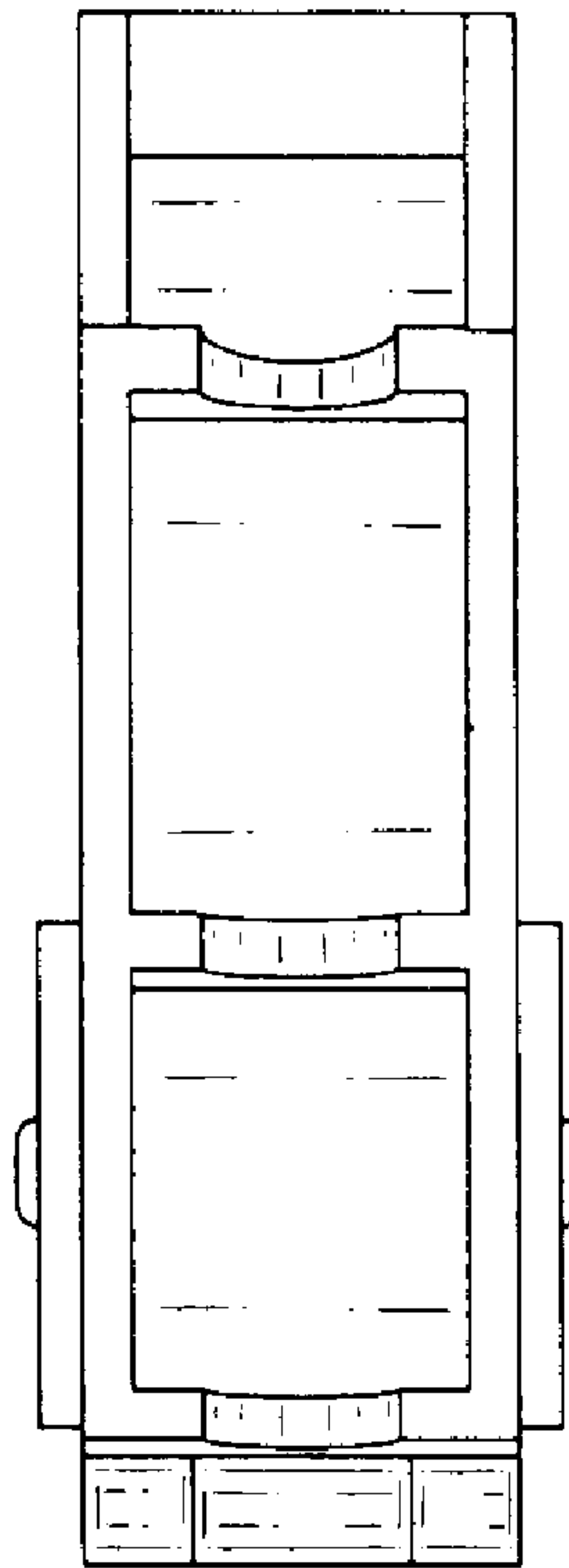


FIG.4

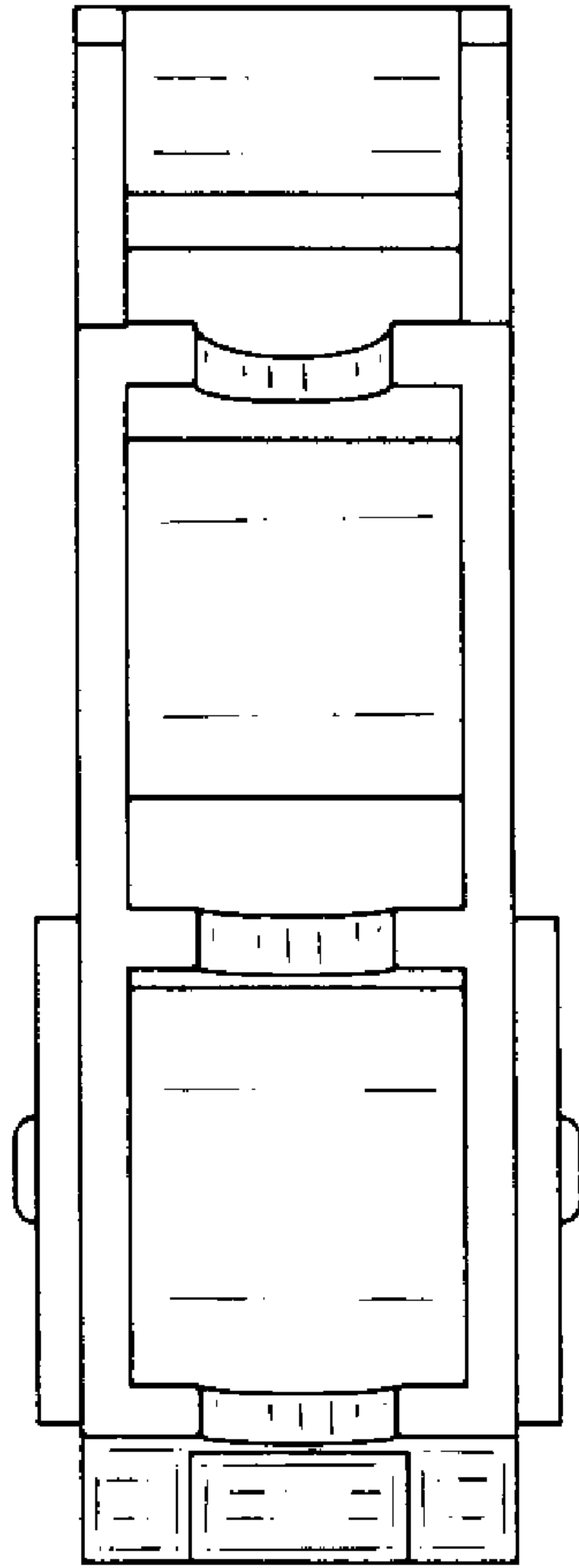


FIG. 5

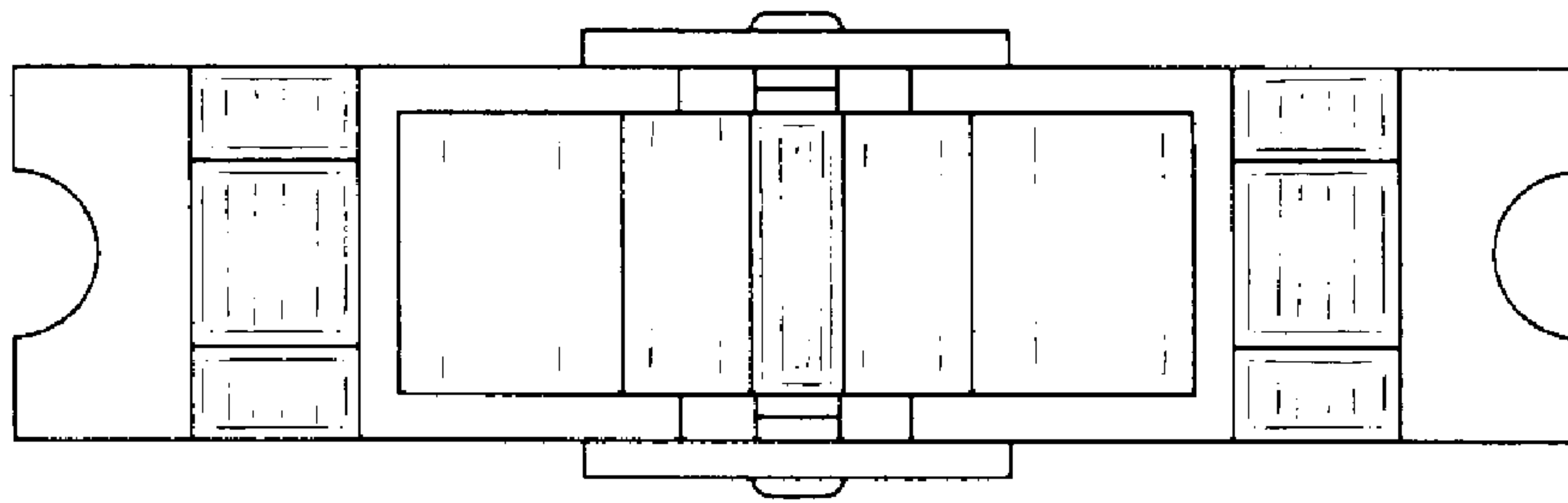


FIG. 6

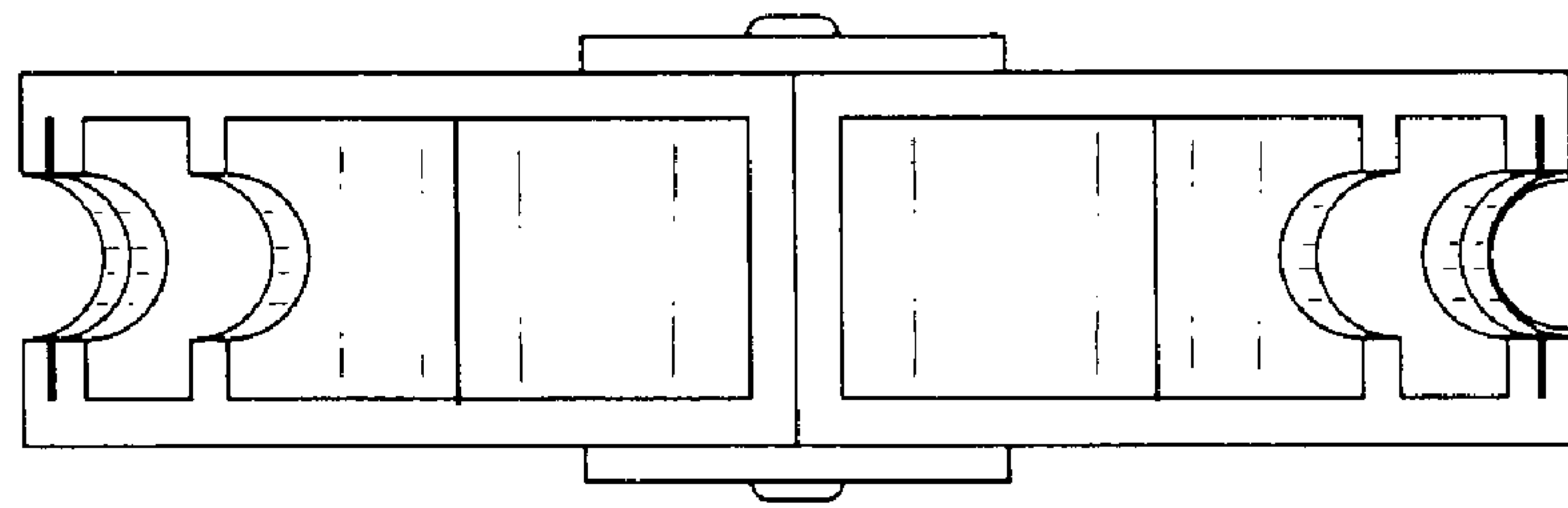


FIG.7

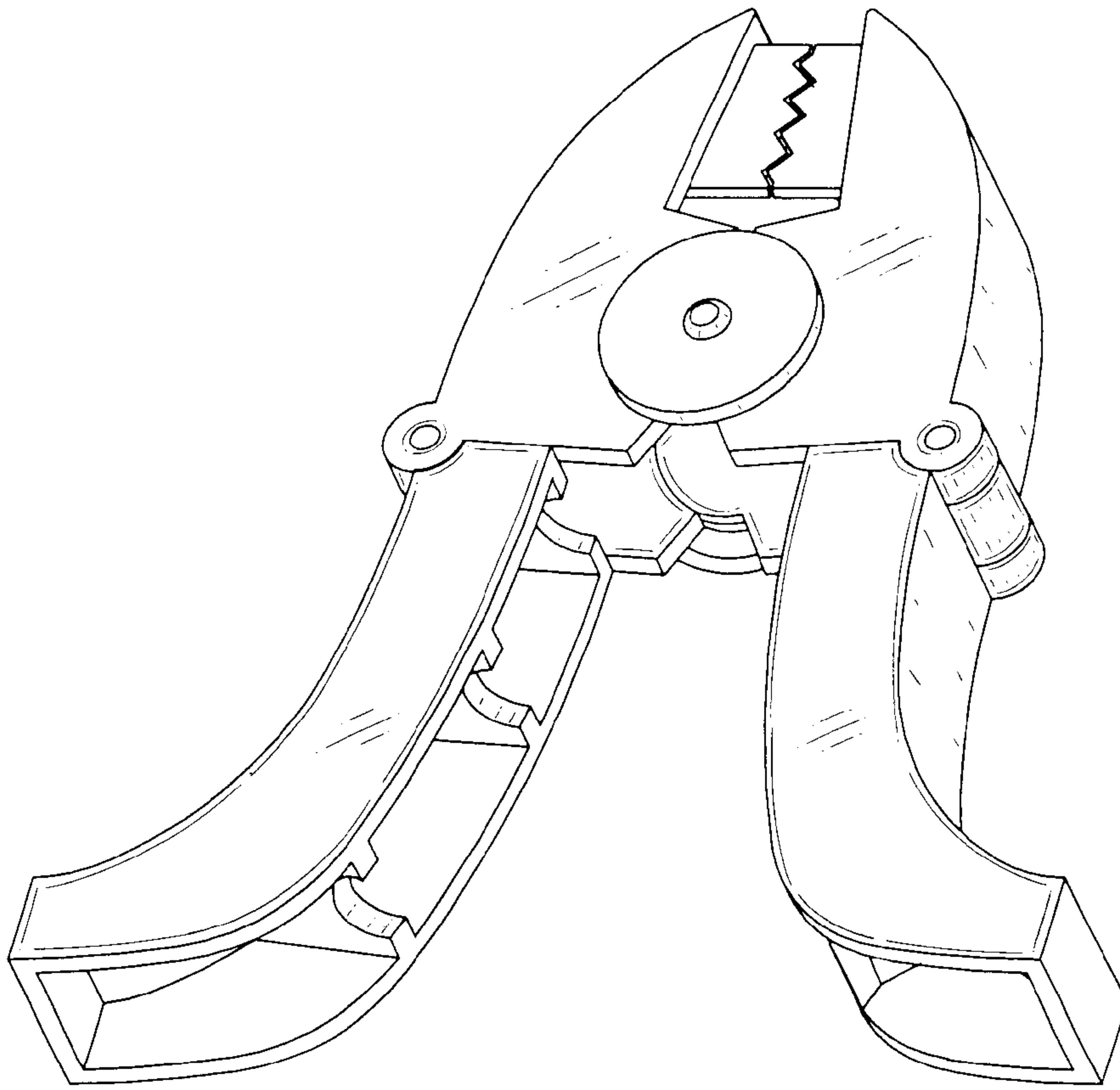


FIG.8