



US00D533507S

(12) **United States Design Patent**  
**Suzuki et al.**

(10) **Patent No.:** **US D533,507 S**

(45) **Date of Patent:** **\*\* Dec. 12, 2006**

(54) **ELECTRIC CONNECTOR**

(75) Inventors: **Masayuki Suzuki**, Utsunomiya (JP);  
**Kazuhiro Sato**, Santa Clara, CA (US);  
**Yuuki Nakano**, Utsunomiya (JP); **Issey Miyake**, Shimotsuga-gun (JP)

(73) Assignee: **DDK Ltd.**, Tokyo (JP)

(\*\*) Term: **14 Years**

(21) Appl. No.: **29/253,662**

(22) Filed: **Feb. 9, 2006**

(30) **Foreign Application Priority Data**

Dec. 9, 2005 (JP) ..... D 2005-036452

(51) **LOC (8) Cl.** ..... **13-03**

(52) **U.S. Cl.** ..... **D13/147**

(58) **Field of Classification Search** ..... D13/133,  
D13/146-147, 149, 154, 184; D14/432-436,  
D14/438; 439/64, 79, 159-160, 260, 325,  
439/329, 395, 422, 492, 495, 607-610, 630,  
439/862

See application file for complete search history.

(56) **References Cited**

**U.S. PATENT DOCUMENTS**

6,352,442 B1 \* 3/2002 Kudo ..... 439/260  
D470,110 S \* 2/2003 Yamane ..... D13/147  
D472,219 S \* 3/2003 Miura ..... D13/147  
D495,997 S \* 9/2004 Kuroki ..... D13/147  
6,790,074 B1 \* 9/2004 Chiu ..... 439/495

D497,344 S \* 10/2004 Huang ..... D13/147  
D500,985 S \* 1/2005 Yamane et al. .... D13/147  
D501,183 S \* 1/2005 Yamane et al. .... D13/147  
6,971,901 B1 \* 12/2005 Chiu et al. .... 439/329  
D517,494 S \* 3/2006 Ikenaga et al. .... D13/147  
2005/0042896 A1 \* 2/2005 Huang ..... 439/67

\* cited by examiner

*Primary Examiner*—Stella Reid

*Assistant Examiner*—Daniel Bui

(74) *Attorney, Agent, or Firm*—Sughrue Mion, PLLC;  
Pavel Pogodin, Esq.

(57) **CLAIM**

The ornamental design for an electric connector, as shown and described.

**DESCRIPTION**

FIG. 1 is a top perspective view of an electric connector showing our new design;  
FIG. 2 is a bottom perspective view thereof;  
FIG. 3 is a front view thereof;  
FIG. 4 is a rear view thereof;  
FIG. 5 is a right side view thereof;  
FIG. 6 is a left side view thereof;  
FIG. 7 is a top plan view thereof; and,  
FIG. 8 is a bottom plan view thereof.

The broken lines shown in the views are for illustrative purpose only and form no part of claimed design. The lines consisting of long lines and dots indicate conceptual border lines between the claimed portions and the disclaimed portion.

**1 Claim, 4 Drawing Sheets**

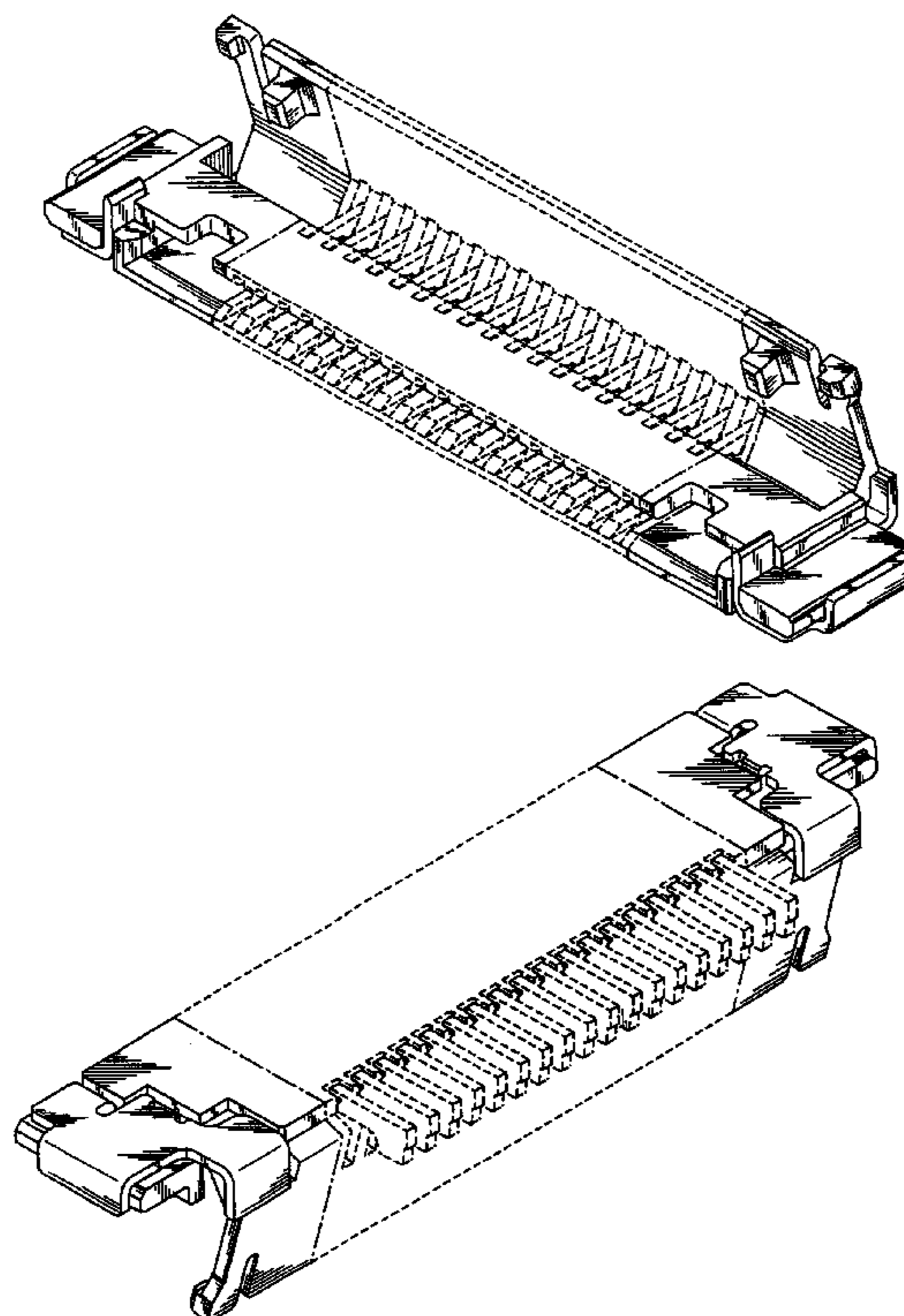


Fig.1

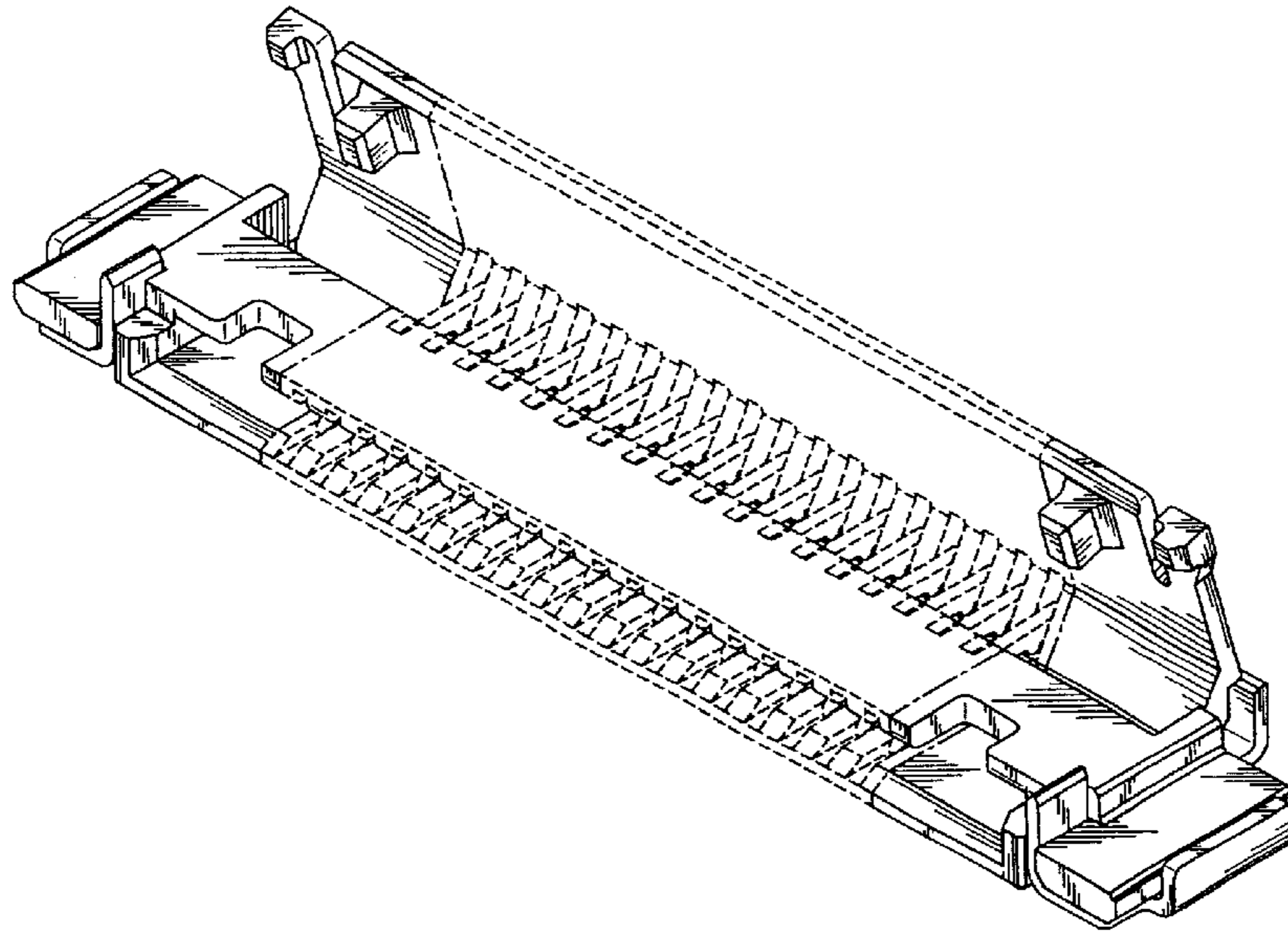


Fig.2

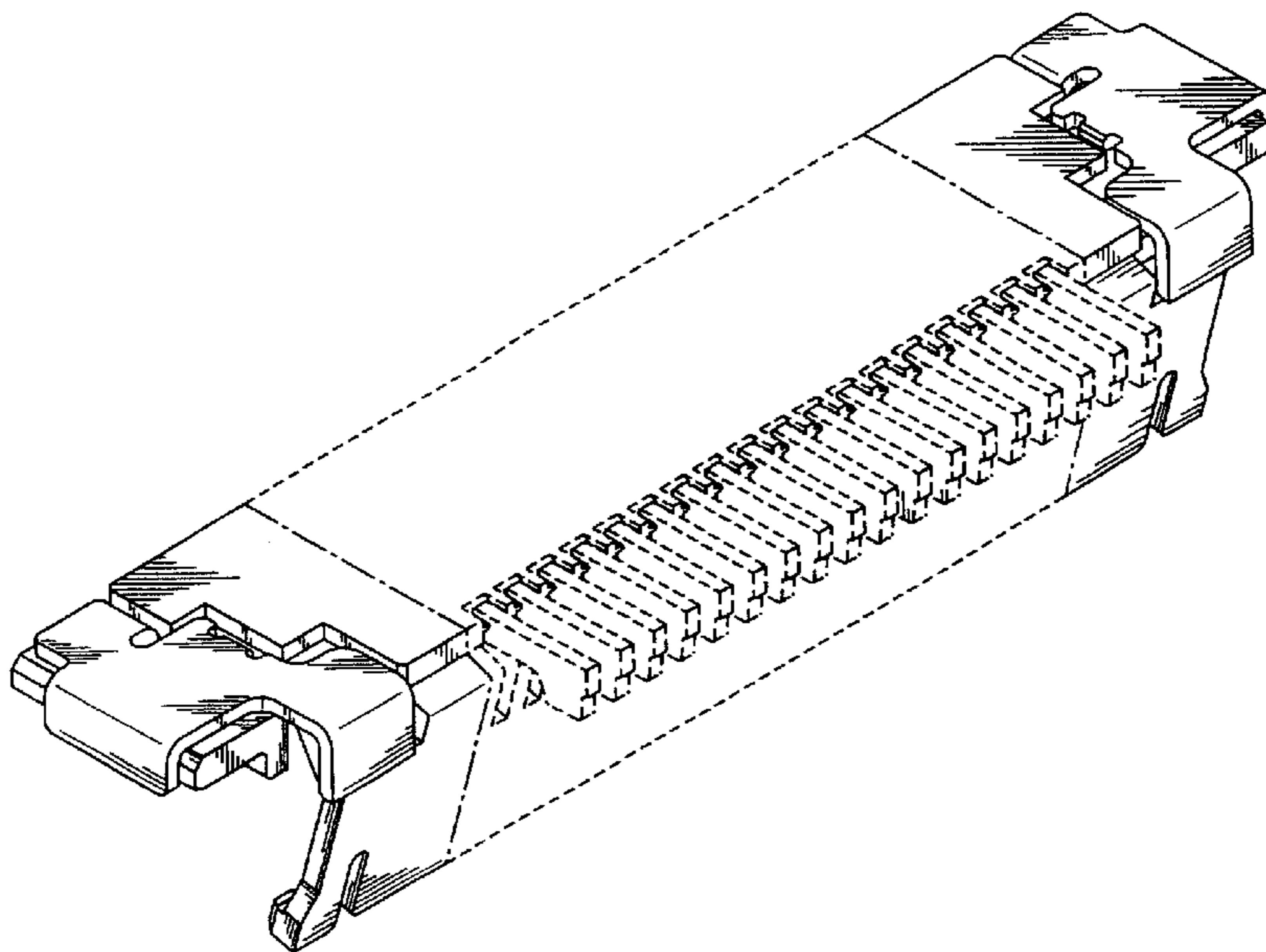


Fig.3

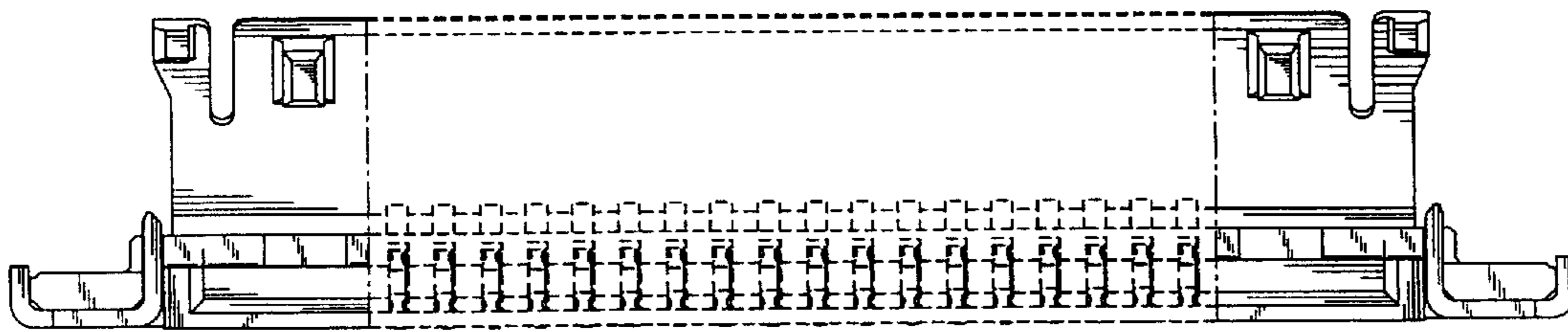


Fig.4

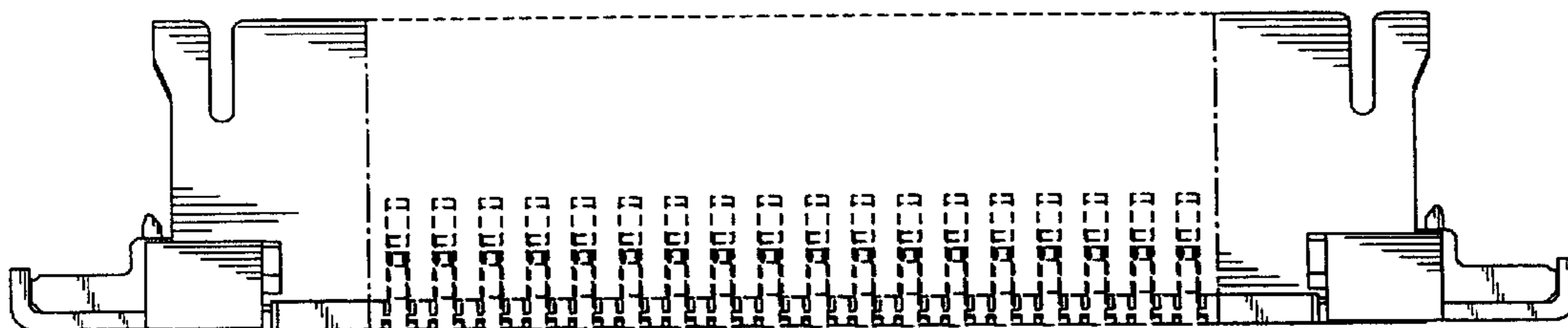


Fig.5

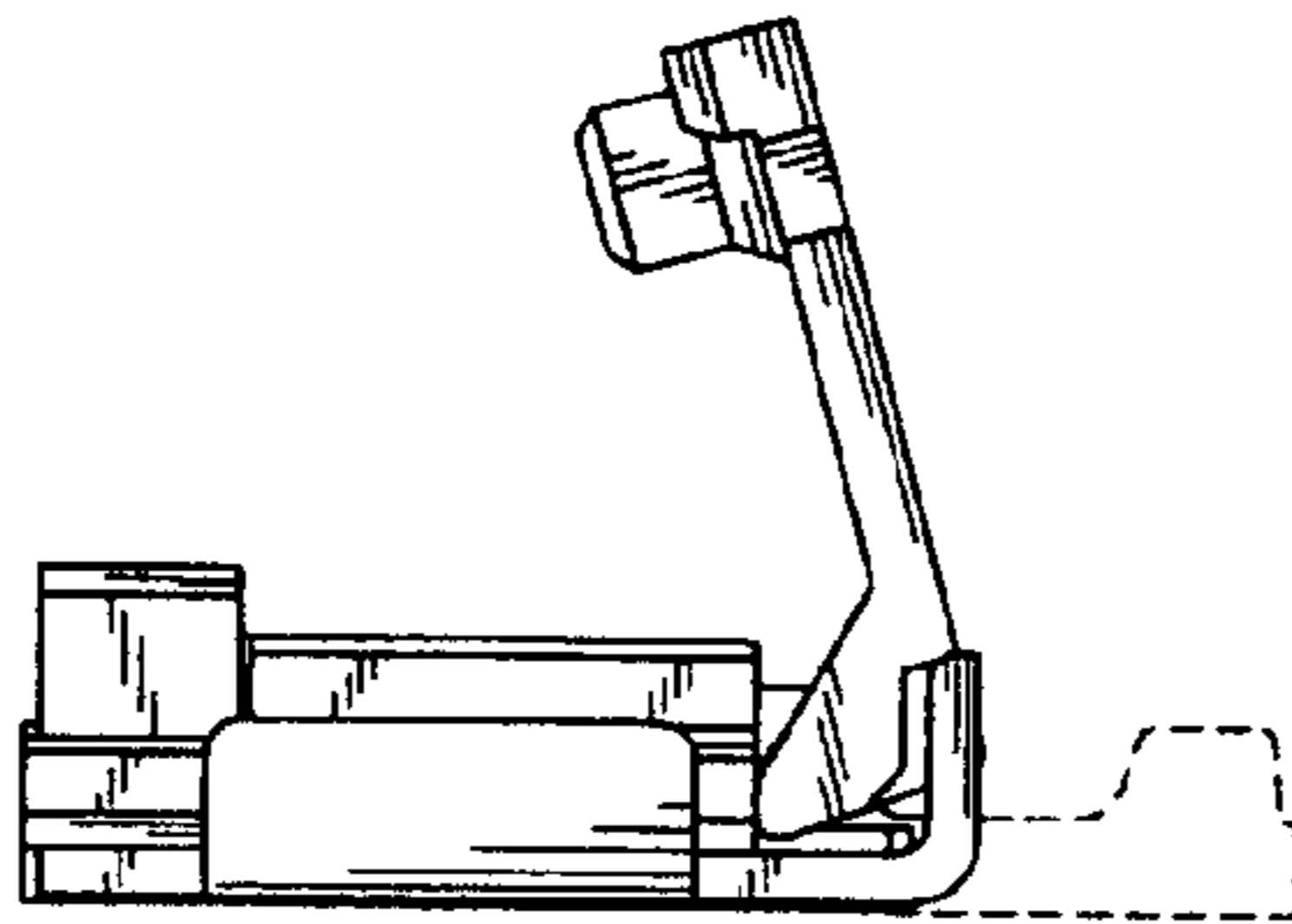


Fig.6

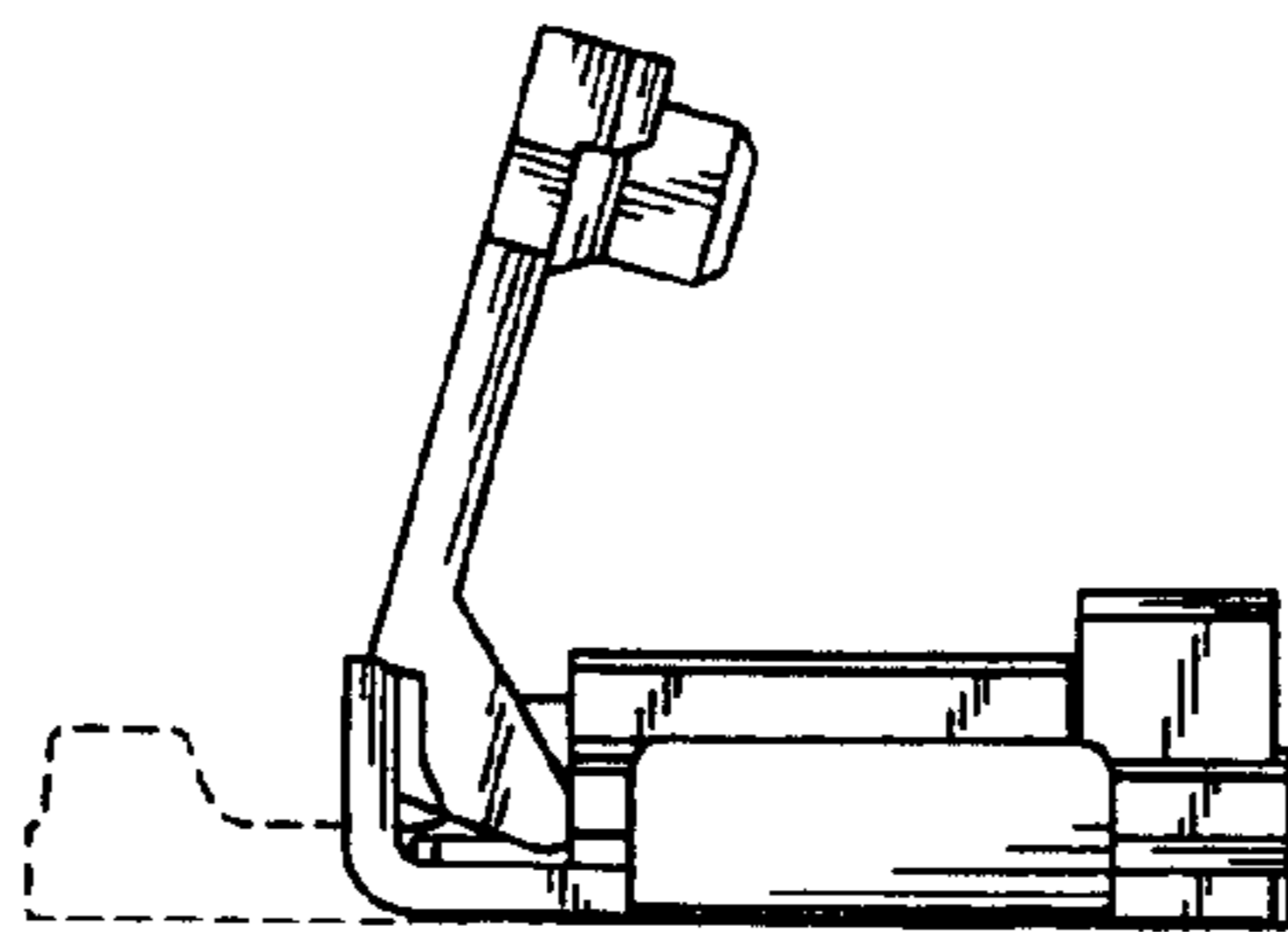


Fig.7

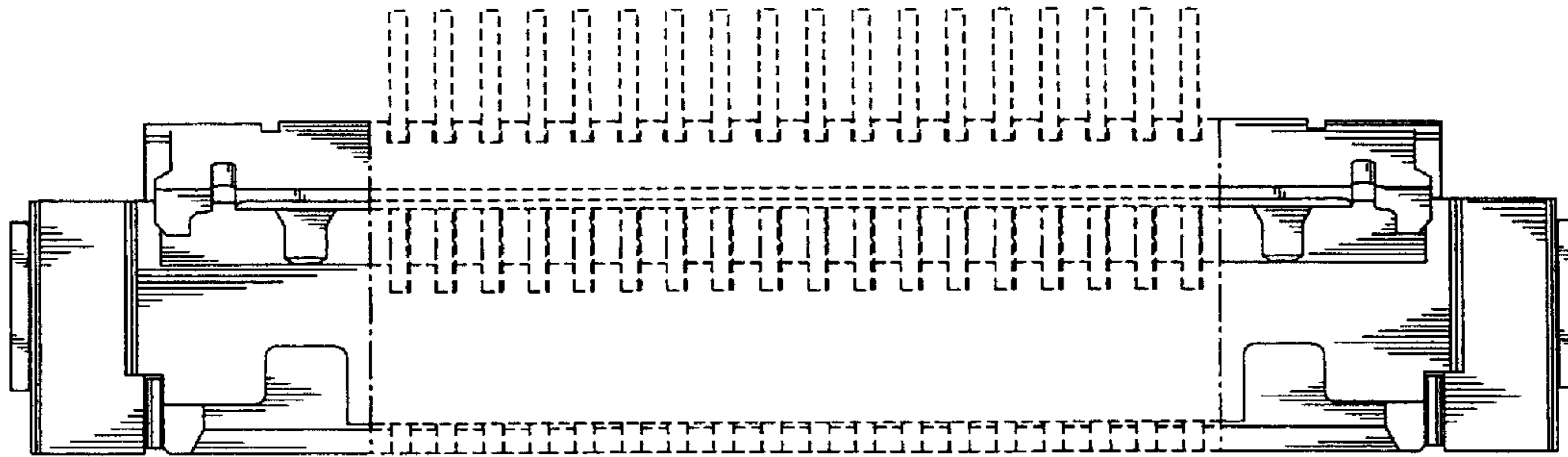


Fig.8

