



US00D533506S

(12) **United States Design Patent**  
**Peng**

(10) **Patent No.:** **US D533,506 S**

(45) **Date of Patent:** **\*\* Dec. 12, 2006**

(54) **BOARD TO BOARD PLUG CONNECTOR**

(75) Inventor: **Yung-Chi Peng**, Tu-Cheng (TW)

(73) Assignee: **Cheng Uei Precision Industry Co., Ltd.**, Taipei Hsien (TW)

(\*\*) Term: **14 Years**

(21) Appl. No.: **29/251,341**

(22) Filed: **Jan. 7, 2006**

(51) **LOC (8) Cl.** ..... **13-03**

(52) **U.S. Cl.** ..... **D13/147**

(58) **Field of Classification Search** ..... D13/133,  
D13/146-147, 149, 154, 184; D14/432-436,  
D14/438; 439/64, 79, 72-74, 159-160, 326,  
439/492, 495, 607-610, 630-631, 862  
See application file for complete search history.

(56) **References Cited**

U.S. PATENT DOCUMENTS

5,545,051	A	*	8/1996	Summers et al.	.....	439/350
5,888,077	A	*	3/1999	Champion et al.	.....	439/108
D436,577	S	*	1/2001	Azuma et al.	.....	D13/147
D453,734	S	*	2/2002	Shimoyama et al.	.....	D13/147

6,764,315	B1	*	7/2004	Ng et al.	.....	439/66
6,855,004	B1	*	2/2005	Soh	.....	439/509
6,881,075	B1	*	4/2005	Huang et al.	.....	439/74
D516,516	S	*	3/2006	Shimizu et al.	.....	D13/147
D517,989	S	*	3/2006	Kimura et al.	.....	D13/147
7,037,117	B1	*	5/2006	Goto	.....	439/74
2004/0014335	A1	*	1/2004	Igarashi et al.	.....	439/74

\* cited by examiner

*Primary Examiner*—Prabhakar Deshmukh

*Assistant Examiner*—Daniel Bui

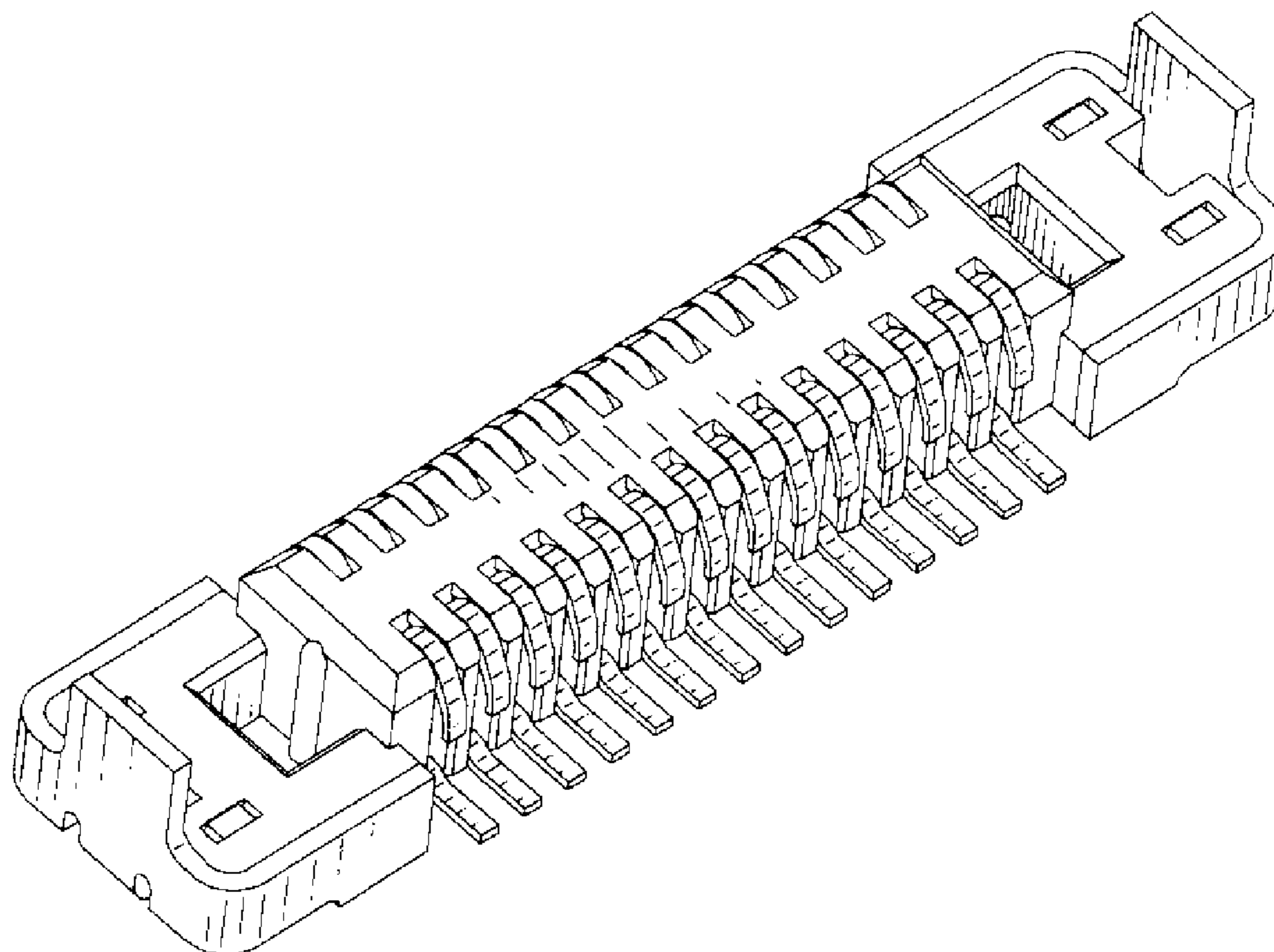
(57) **CLAIM**

The ornamental design for a board to board plug connector, as shown and described.

**DESCRIPTION**

FIG. 1 is a perspective view of a board to board plug connector showing my new design; FIG. 2 is a front elevational view thereof; FIG. 3 is a rear elevational view thereof; FIG. 4 is a left side elevational view thereof; FIG. 5 is a right side elevational view thereof; FIG. 6 is a top plan view thereof; and, FIG. 7 is a bottom plan view thereof.

**1 Claim, 7 Drawing Sheets**



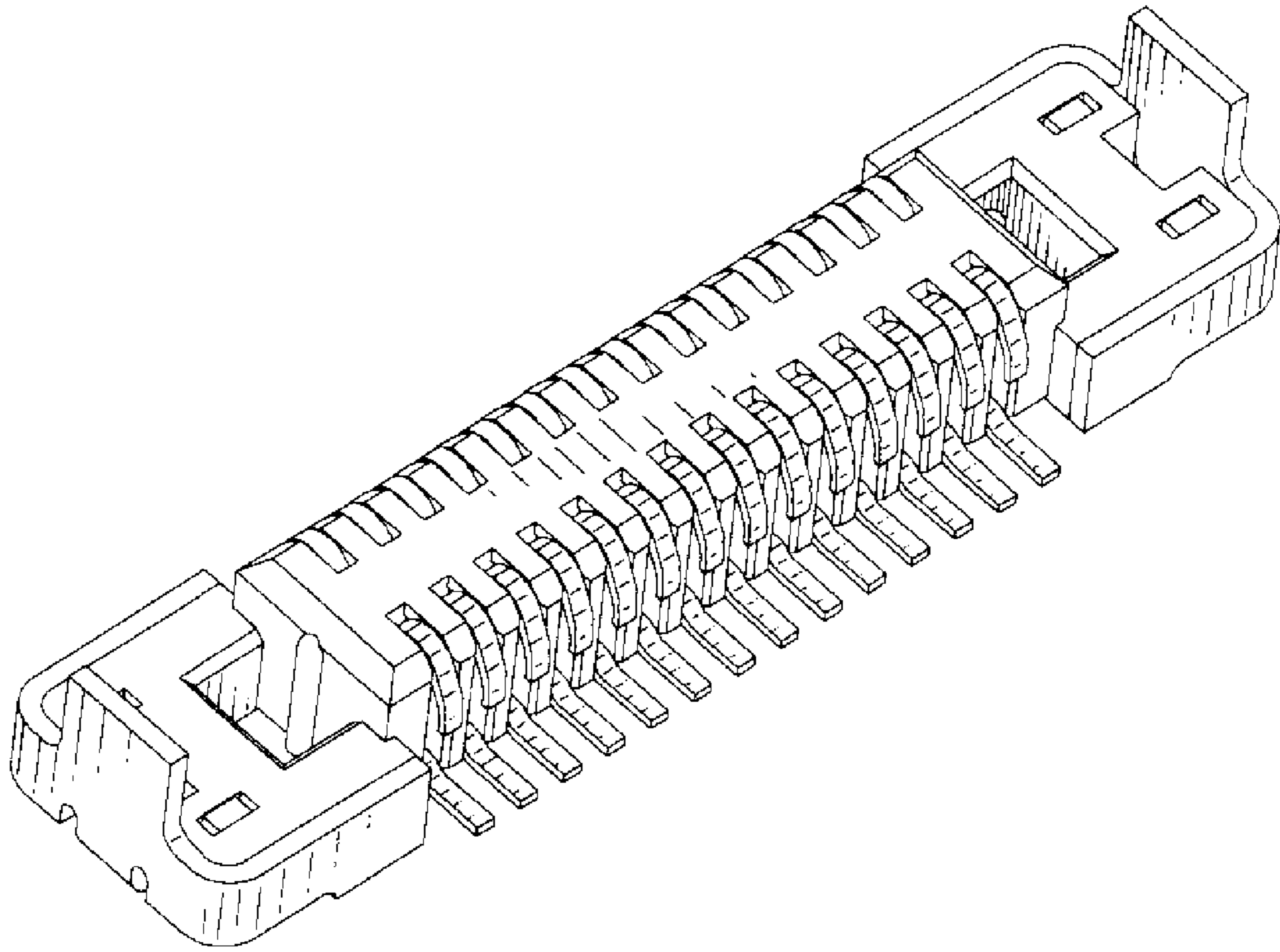


FIG. 1

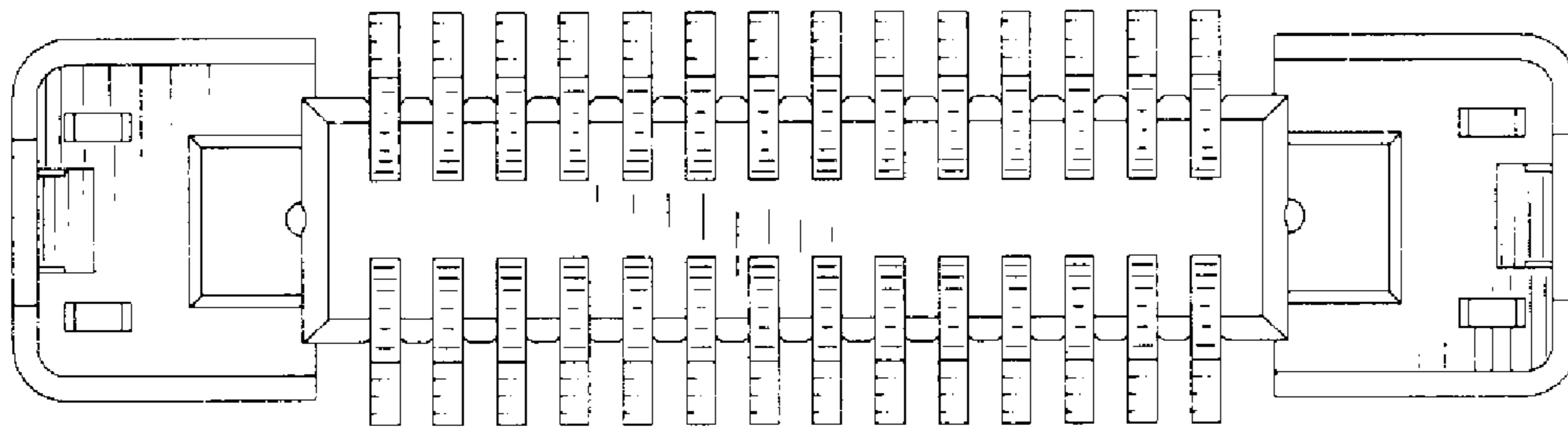


FIG. 2

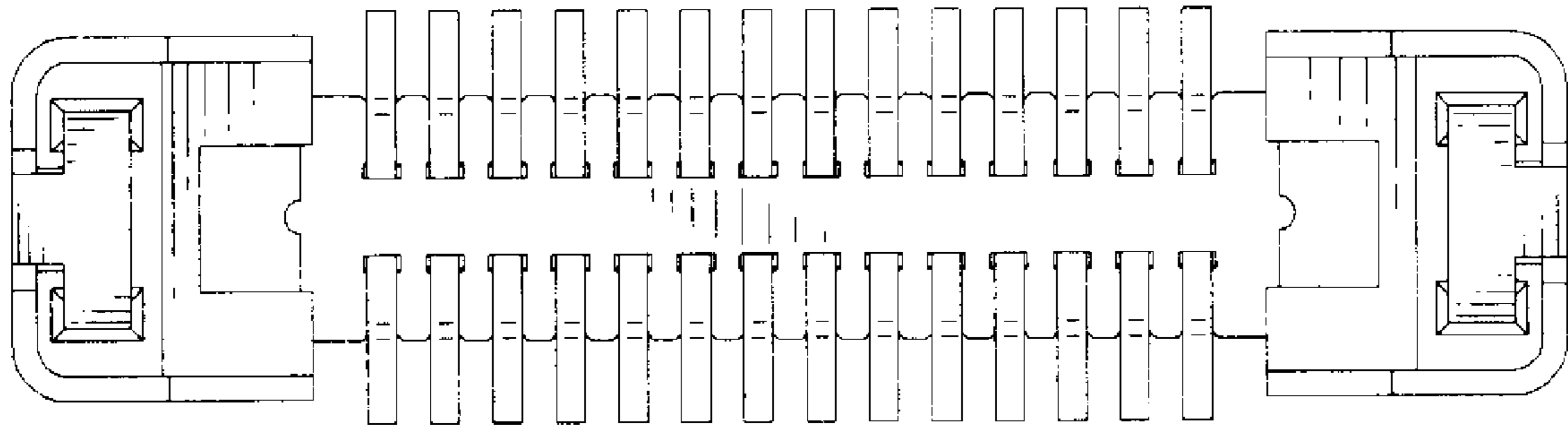


FIG. 3

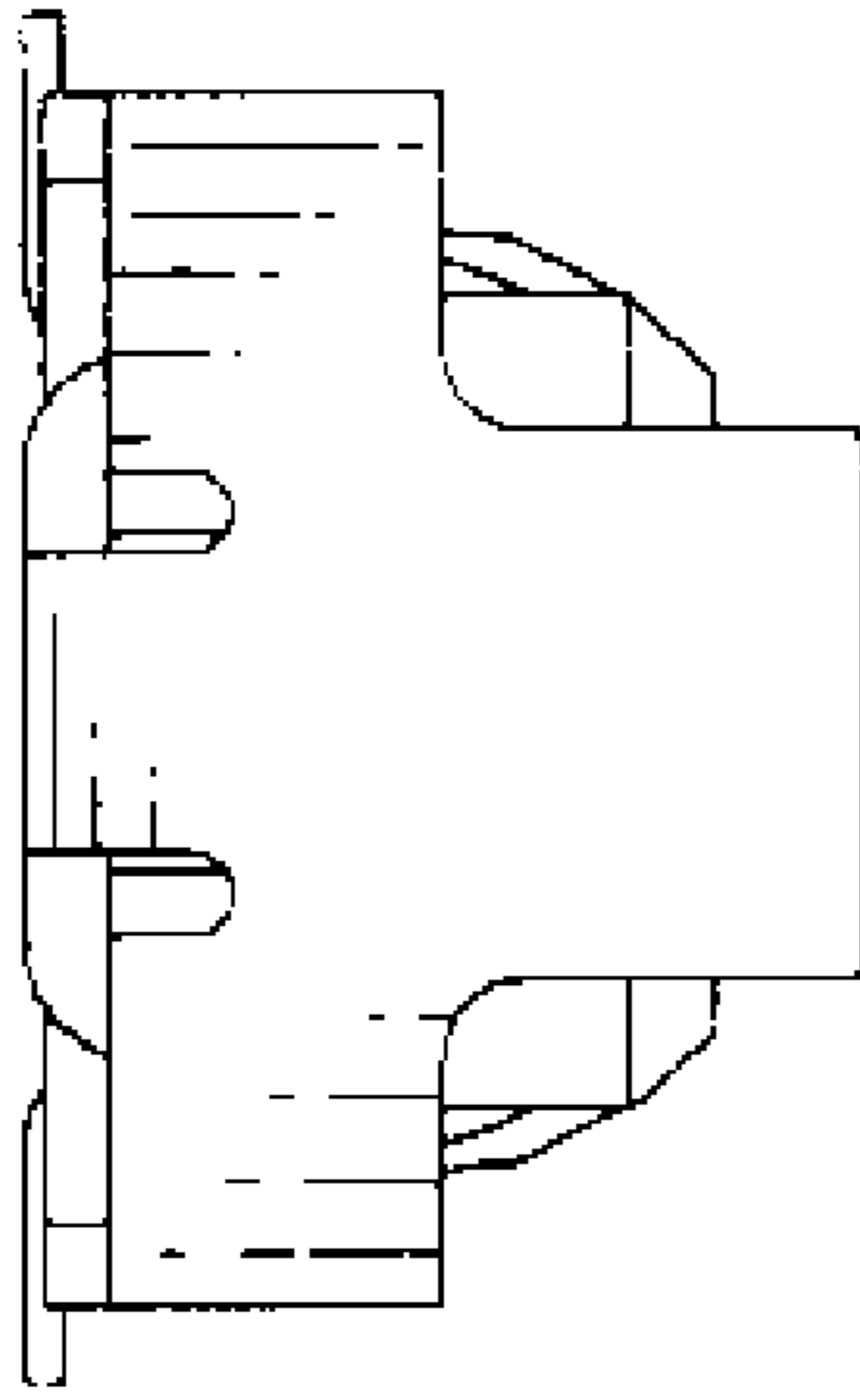


FIG. 4

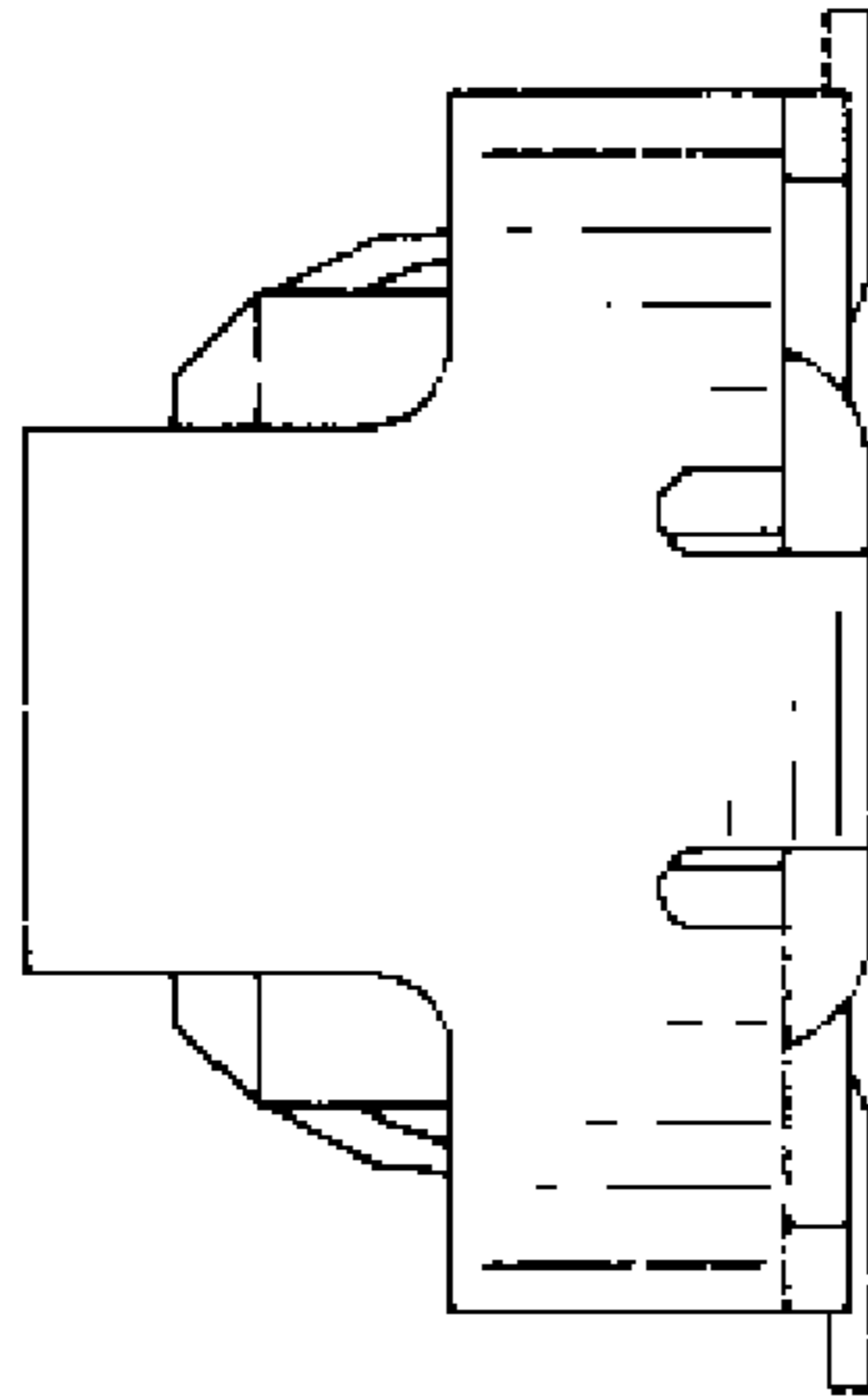


FIG. 5

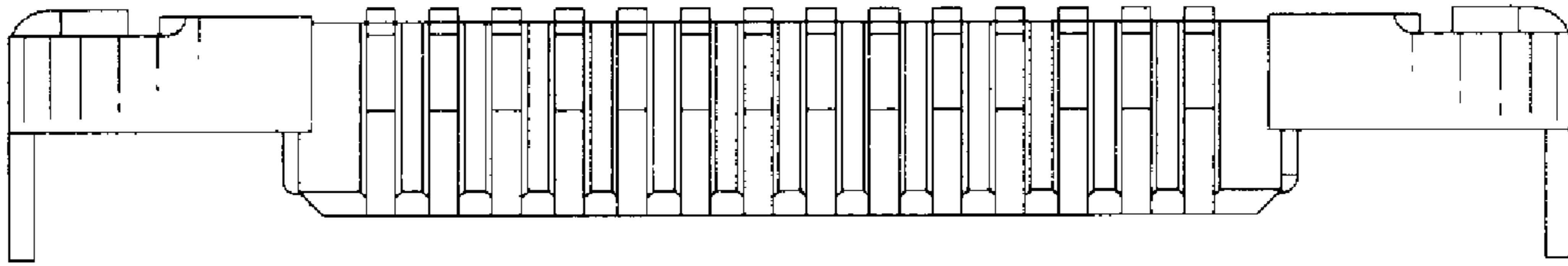


FIG. 6

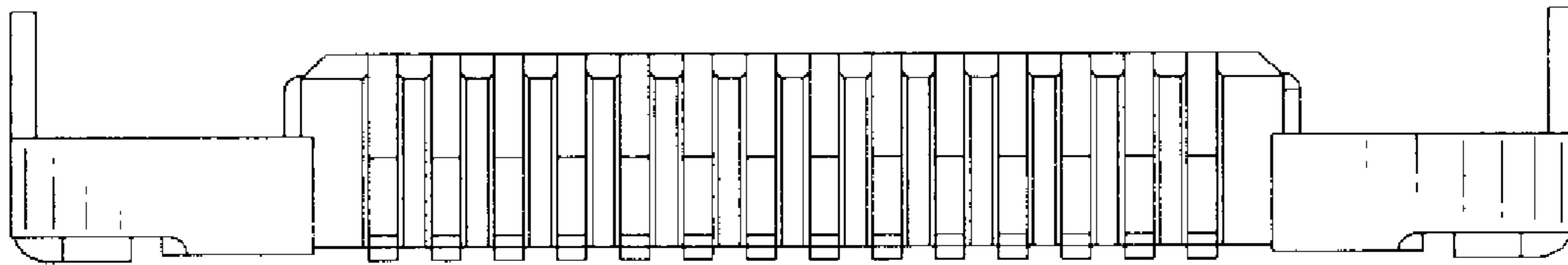


FIG. 7