



US00D533505S

(12) **United States Design Patent**
Chen

(10) **Patent No.:** **US D533,505 S**

(45) **Date of Patent:** **** Dec. 12, 2006**

(54) **MULTI-FUNCTION CONVERTER CONNECTOR**

(76) Inventor: **George Chen**, P.O. Box No. 6-57,
Junghe, Taipei 235 (TW)

(**) Term: **14 Years**

(21) Appl. No.: **29/199,316**

(22) Filed: **Feb. 13, 2004**

(51) **LOC (8) Cl.** **13-03**

(52) **U.S. Cl.** **D13/147; D13/110**

(58) **Field of Classification Search** D13/101,
D13/110, 133, 199, 146-147, 154, 184; D14/256,
D14/435, 436; 363/146; 439/152, 180, 246,
439/266, 278, 894

See application file for complete search history.

(56) **References Cited**

U.S. PATENT DOCUMENTS

D327,868 S * 7/1992 Oka D13/110
D366,047 S * 1/1996 Rak et al. D14/256
5,689,413 A * 11/1997 Jaramillo et al. 363/146
D422,965 S * 4/2000 Laufer et al. D13/108

6,104,617 A * 8/2000 Schremmer 361/737
D433,996 S * 11/2000 Ma D13/110
D450,708 S * 11/2001 Hsu D14/435
6,816,359 B1 * 11/2004 Hsiao 361/601
D502,181 S * 2/2005 Hong et al. D14/436
2004/0229494 A1 * 11/2004 Hsu et al. 439/374

* cited by examiner

Primary Examiner—Stella Reid

Assistant Examiner—Daniel Bui

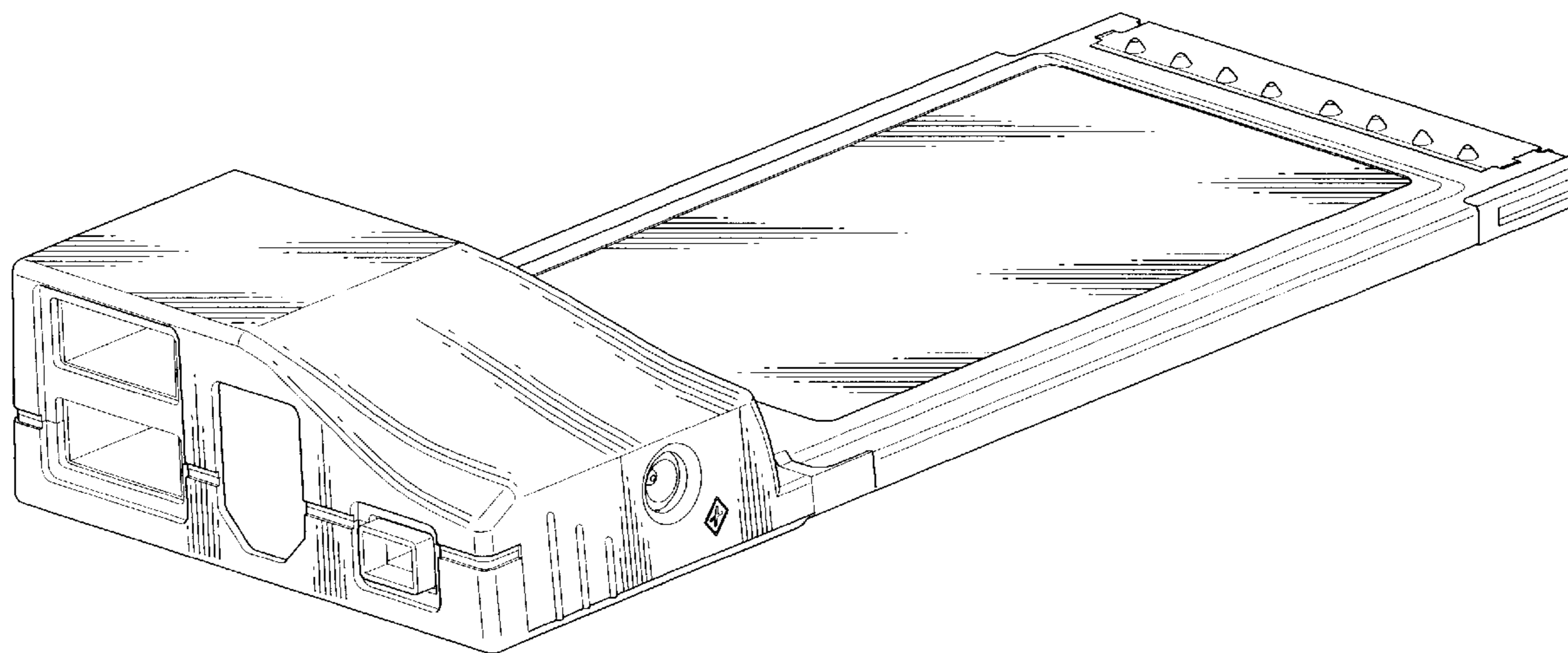
(57) **CLAIM**

The ornamental design for a multi-function converter connector, as shown and described.

DESCRIPTION

FIG. 1 is a top, front and right side perspective view of a multi-function converter connector showing my new design; FIG. 2 is a front elevation view thereof; FIG. 3 is a back elevation view thereof; FIG. 4 is a left side elevation view thereof; FIG. 5 is a right side elevation view thereof; FIG. 6 is a top plan view thereof; and, FIG. 7 is a bottom plan view thereof.

1 Claim, 4 Drawing Sheets



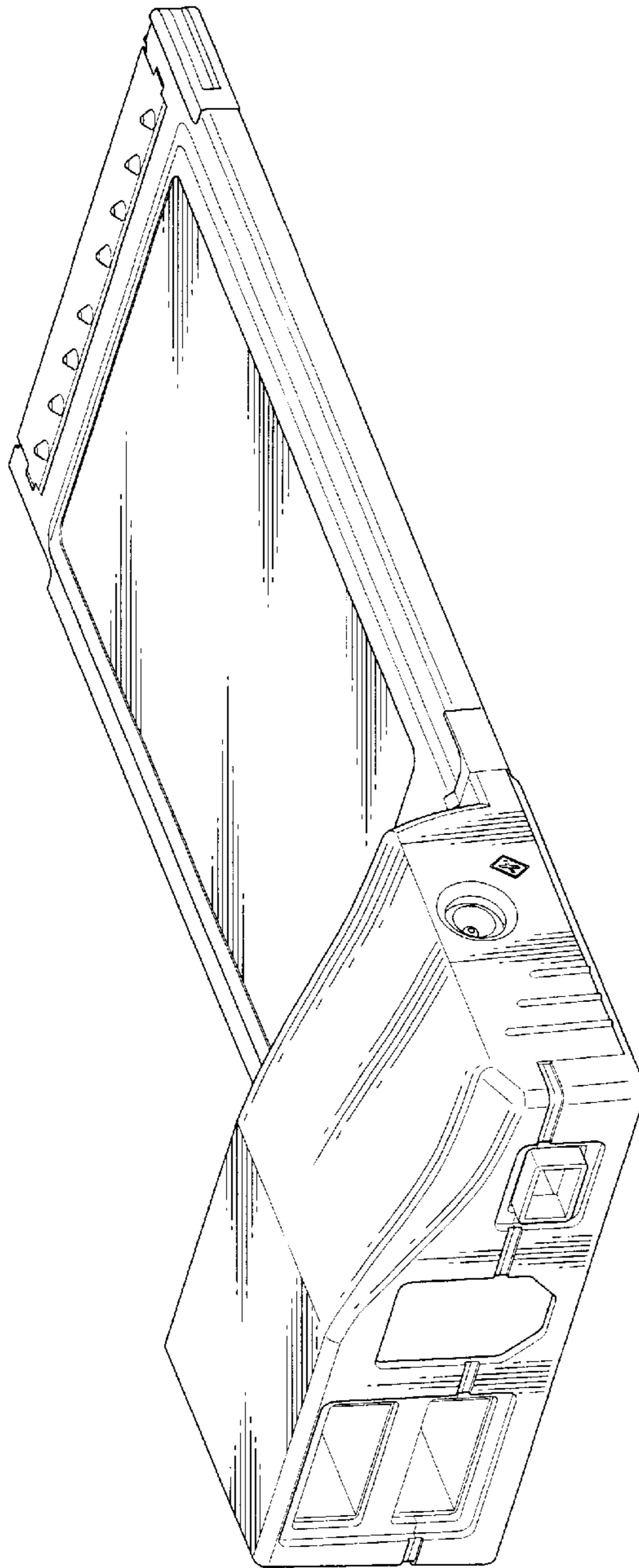


FIG . 1

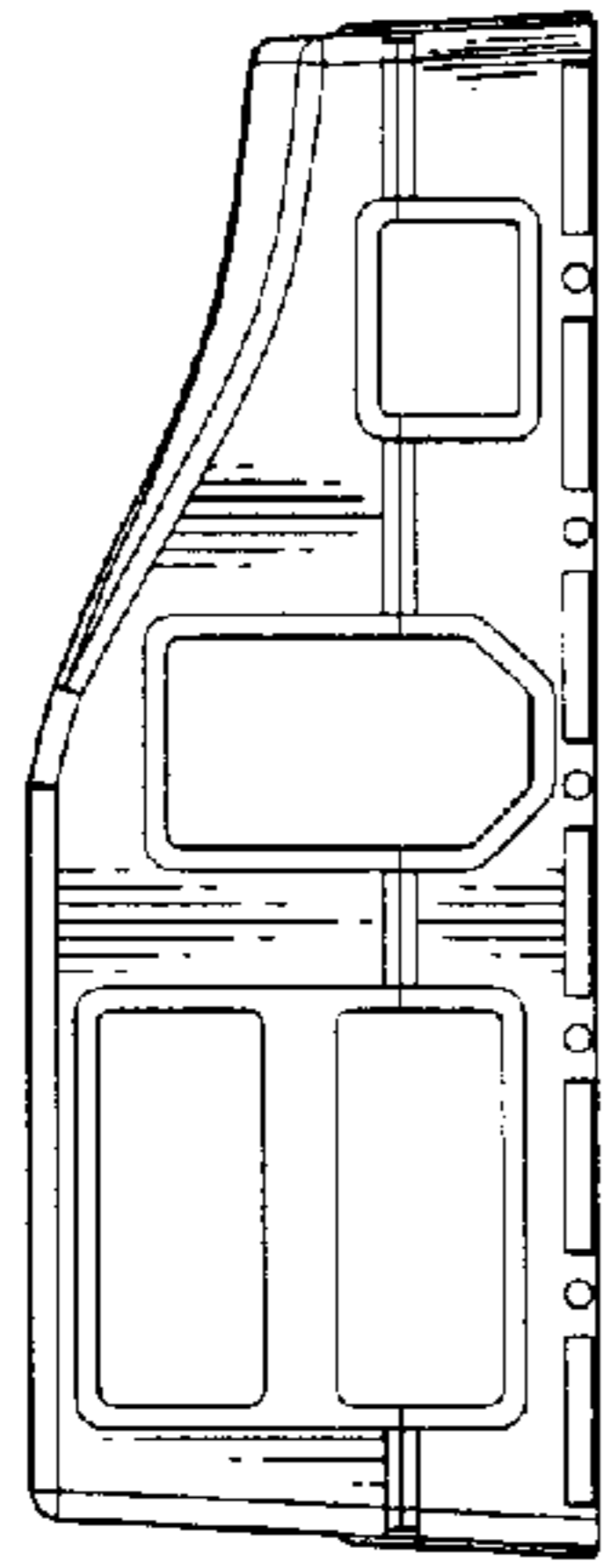


FIG . 2

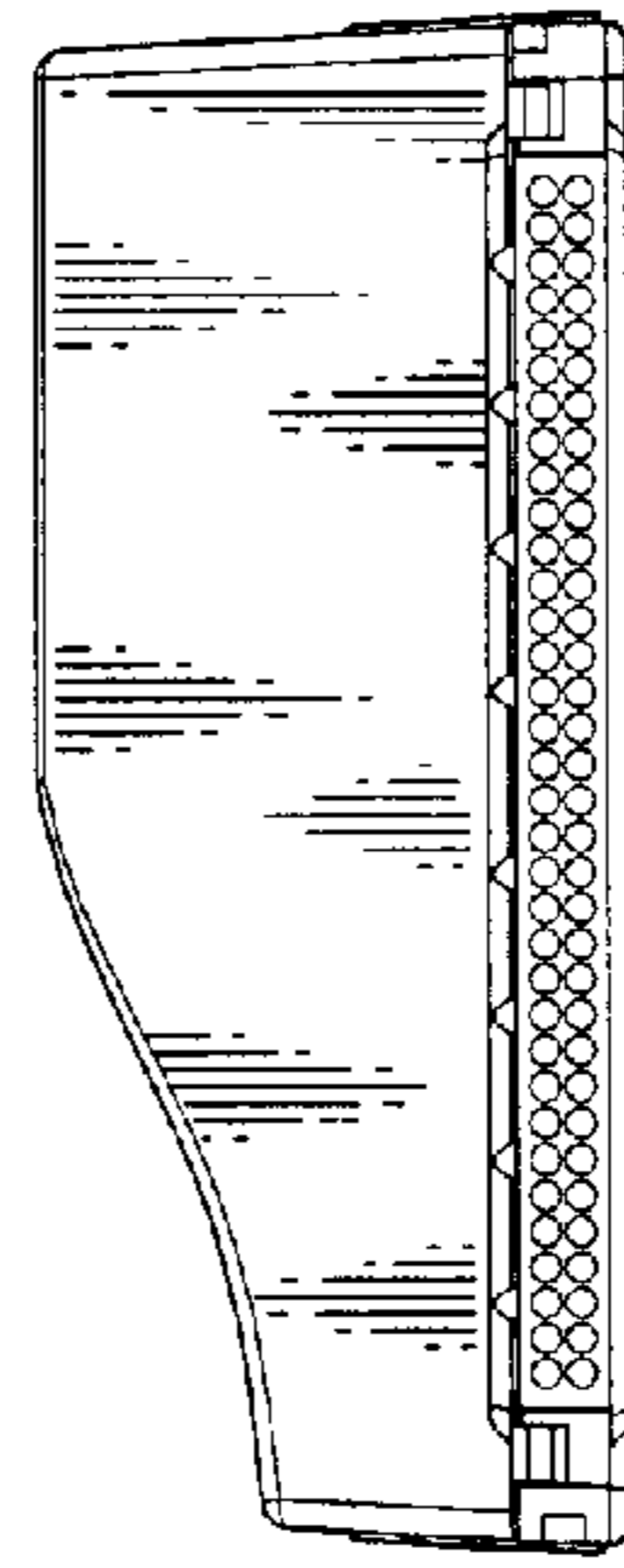


FIG . 3

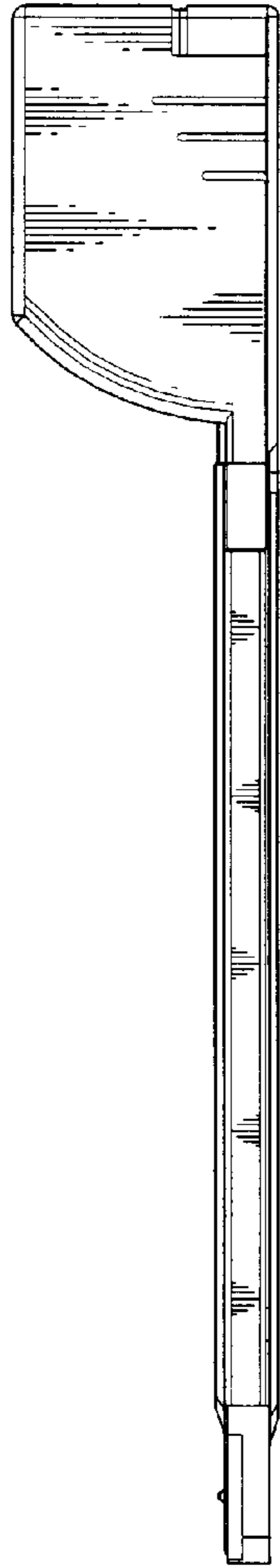


FIG . 4

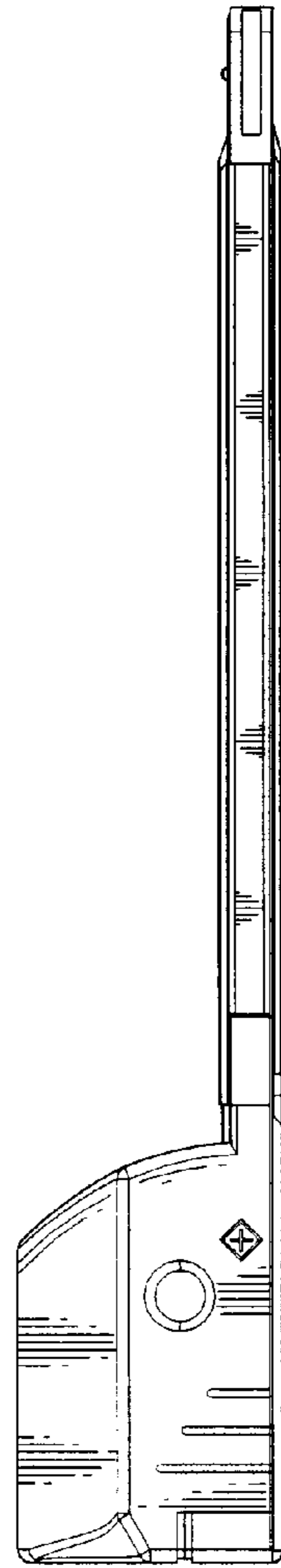


FIG . 5

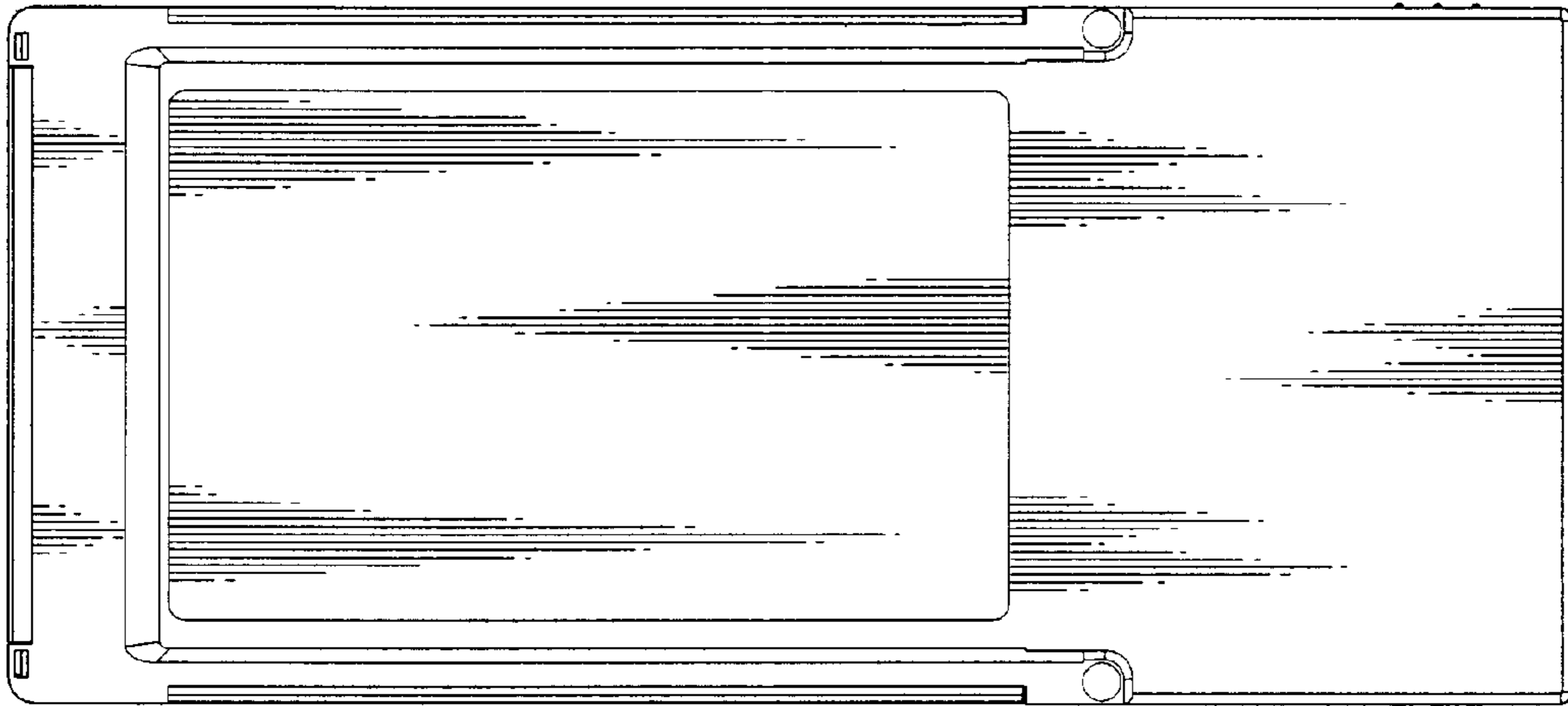


FIG . 7

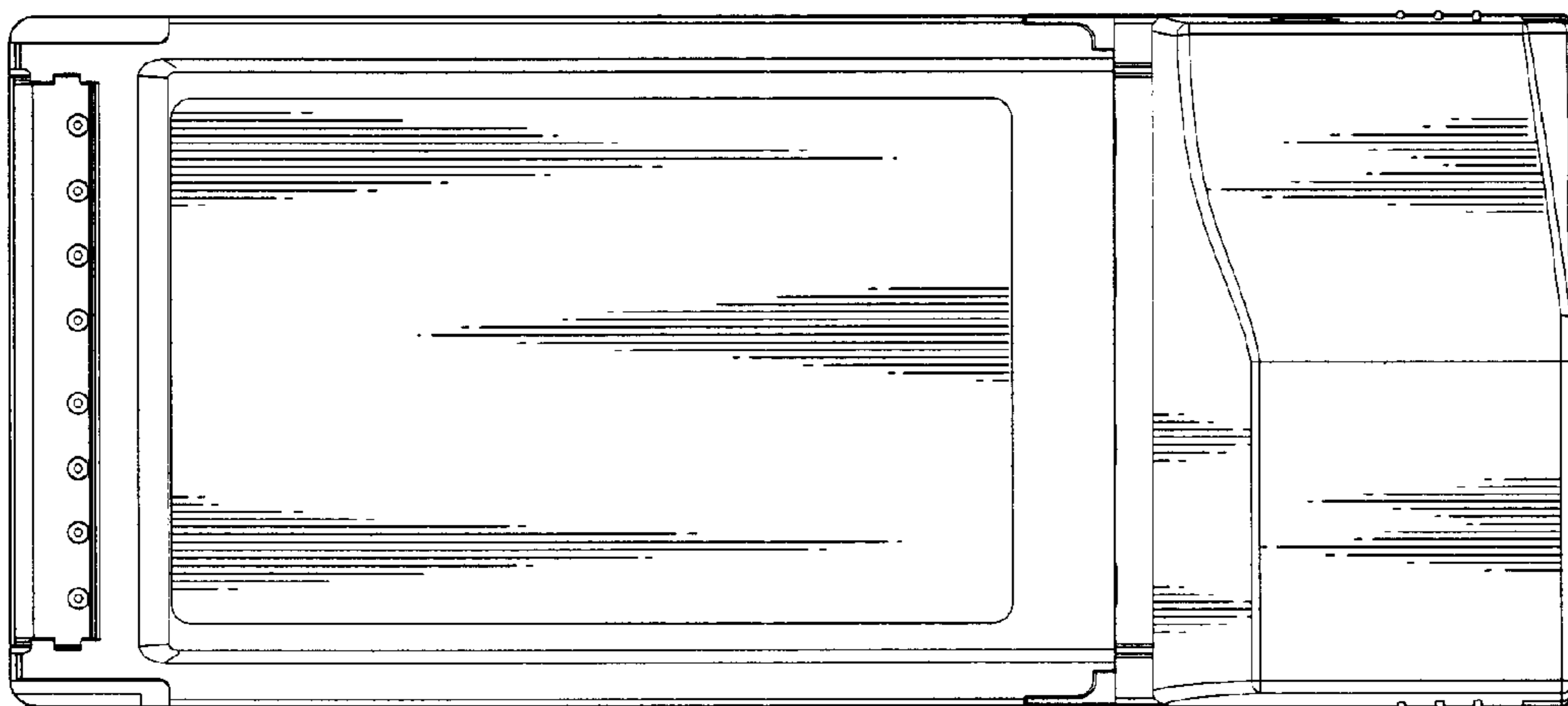


FIG . 6