



US00D533504S

(12) **United States Design Patent**
Lee

(10) **Patent No.:** **US D533,504 S**

(45) **Date of Patent:** **** Dec. 12, 2006**

(54) **AUDIO JACK CONNECTOR**

(75) Inventor: **Yun-Chien Lee, Tu-Cheng (TW)**

(73) Assignee: **Cheng Uei Precision Industry Co., Ltd., Taipei Hsien (TW)**

(**) Term: **14 Years**

(21) Appl. No.: **29/255,798**

(22) Filed: **Mar. 10, 2006**

(51) **LOC (8) Cl.** **13-03**

(52) **U.S. Cl.** **D13/133**

(58) **Field of Classification Search** D13/133,
D13/154, 185, 199; 439/78-79, 83, 188,
439/567, 607, 609, 668, 669, 748, 939
See application file for complete search history.

(56) **References Cited**

U.S. PATENT DOCUMENTS

6,077,126 A * 6/2000 Peng 439/668
6,312,274 B1 * 11/2001 Lin 439/188
D451,472 S * 12/2001 Suzuki D13/133
D461,770 S * 8/2002 Ma et al. D13/133

D470,107 S * 2/2003 Li et al. D13/133
D507,531 S * 7/2005 Suzuki D13/133
6,923,687 B1 * 8/2005 Wang 439/668
2003/0100227 A1 * 5/2003 Yeh 439/668
2005/0009407 A1 * 1/2005 Wang 439/668
2006/0063409 A1 * 3/2006 Wang 439/188

* cited by examiner

Primary Examiner—Prabhakar Deshmukh

Assistant Examiner—Daniel Bui

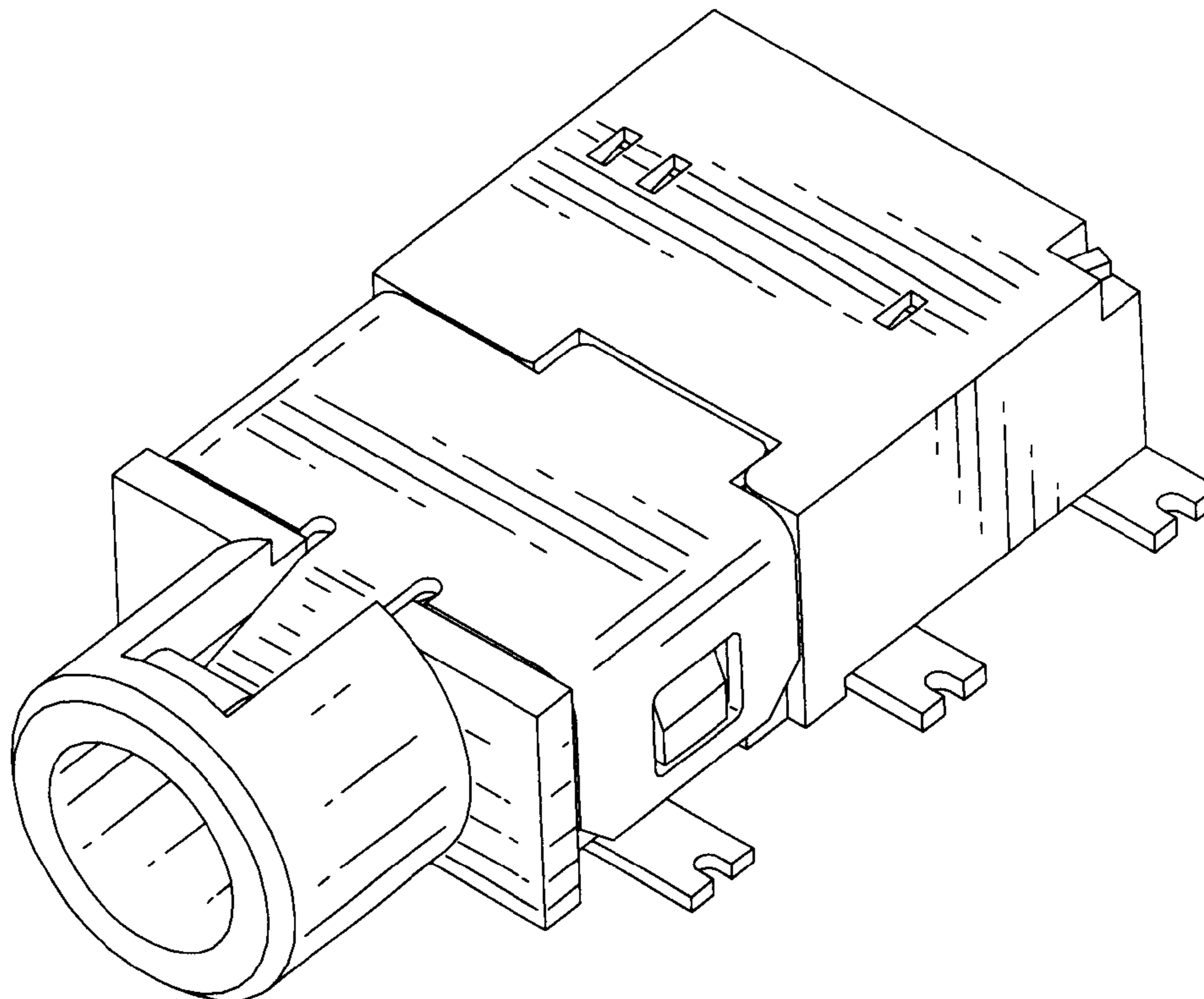
(57) **CLAIM**

The ornamental design for an audio jack connector, as shown and described.

DESCRIPTION

FIG. 1 is a perspective view of an audio jack connector showing my new design;
FIG. 2 is a front elevational view thereof;
FIG. 3 is a rear elevational view thereof;
FIG. 4 is a left side elevational view thereof;
FIG. 5 is a right side elevational view thereof;
FIG. 6 is a top plan view thereof; and,
FIG. 7 is a bottom plan view thereof.

1 Claim, 7 Drawing Sheets



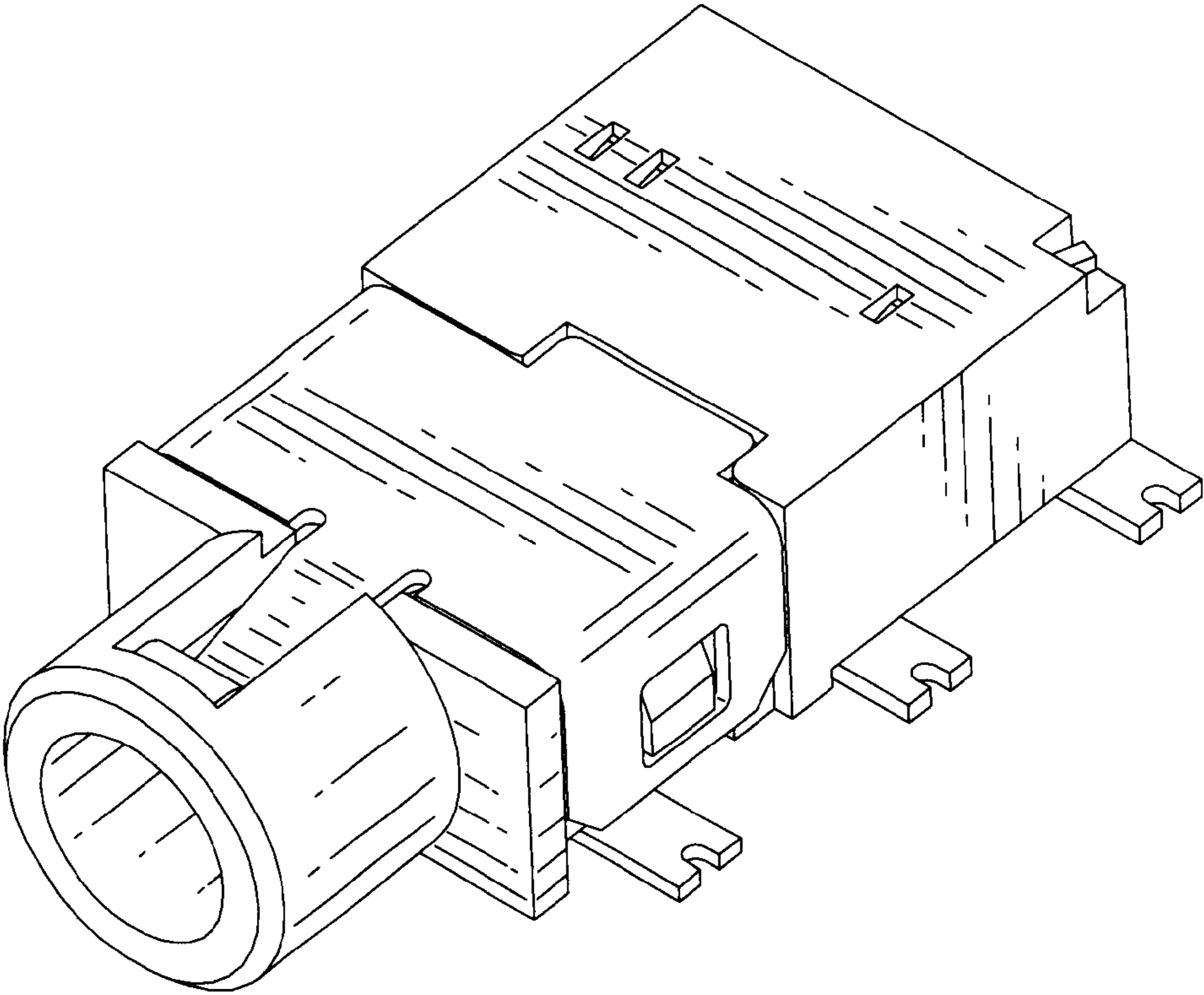


FIG. 1

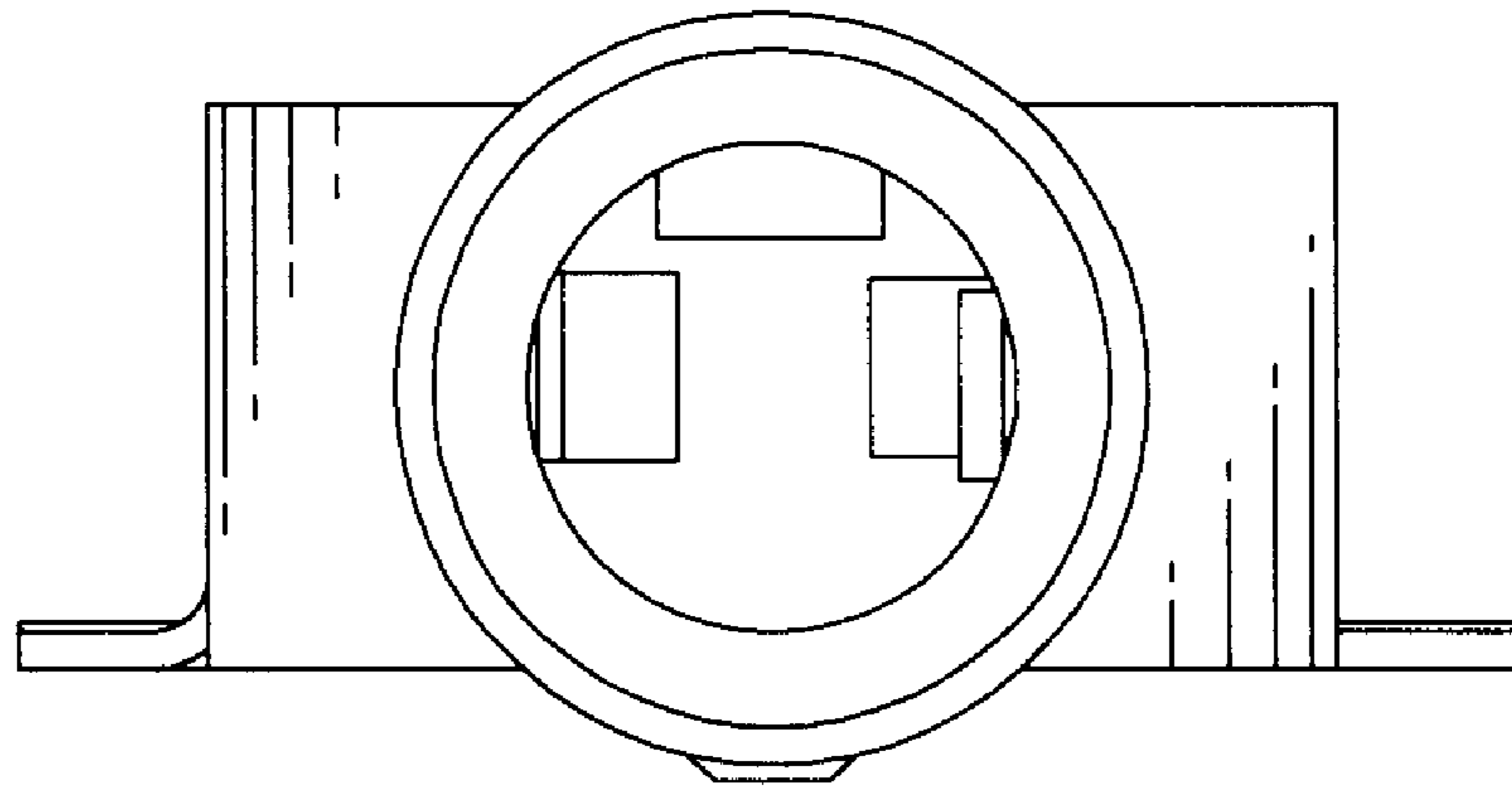


FIG. 2

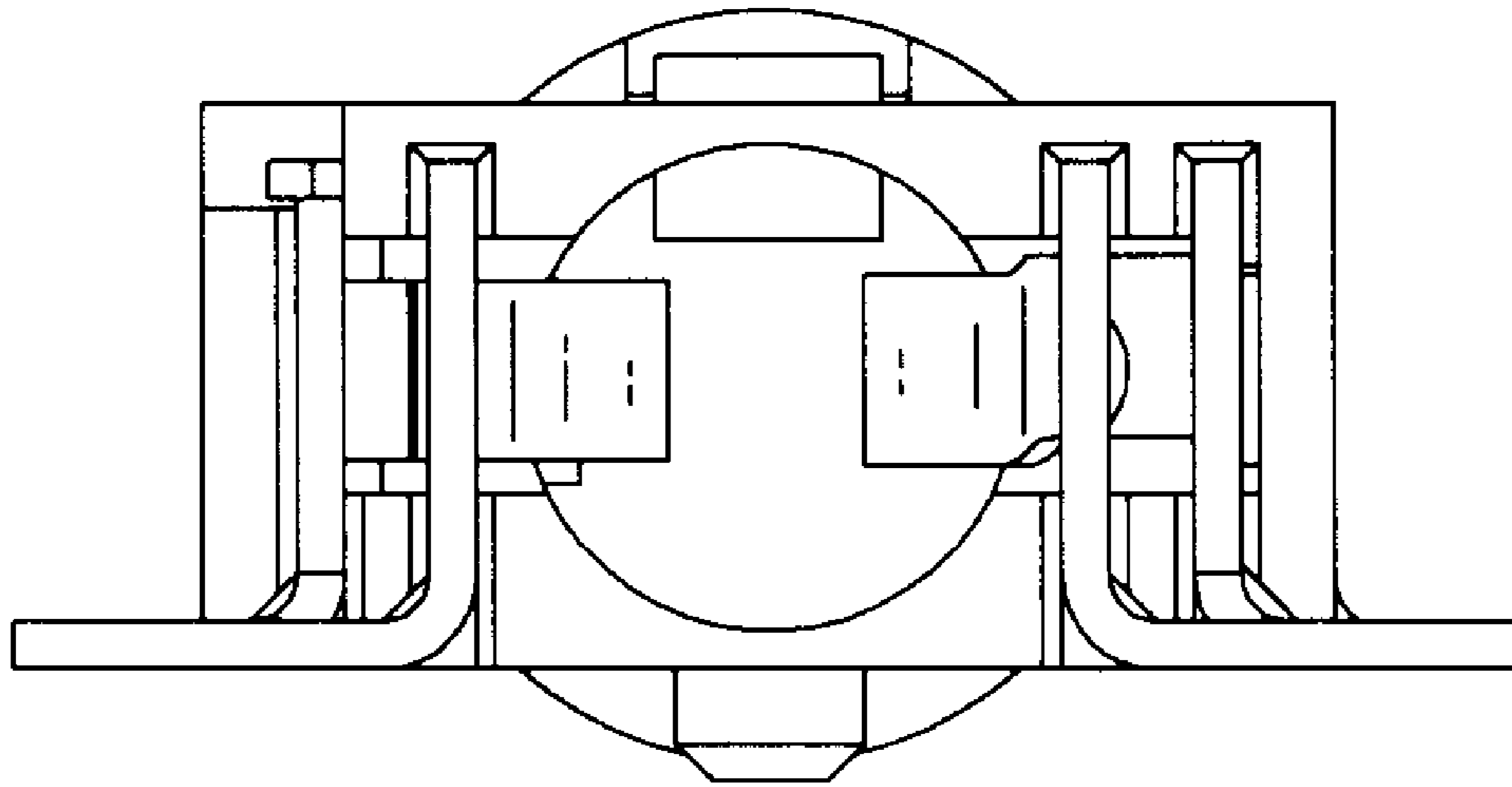


FIG. 3

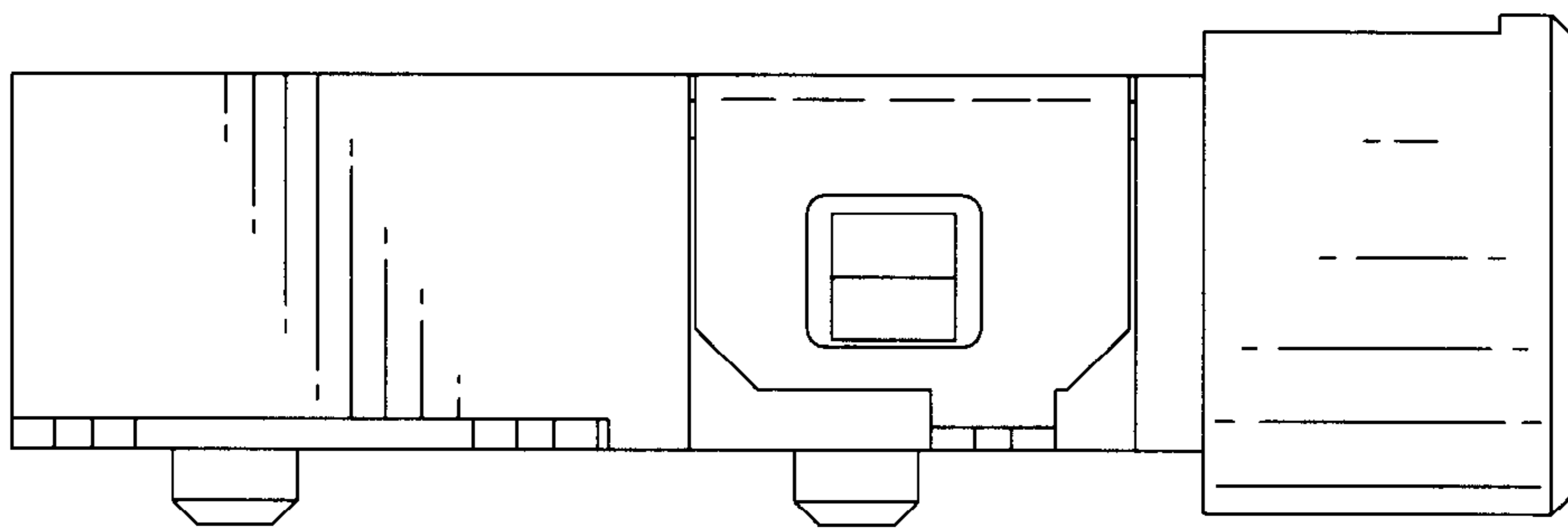


FIG. 4

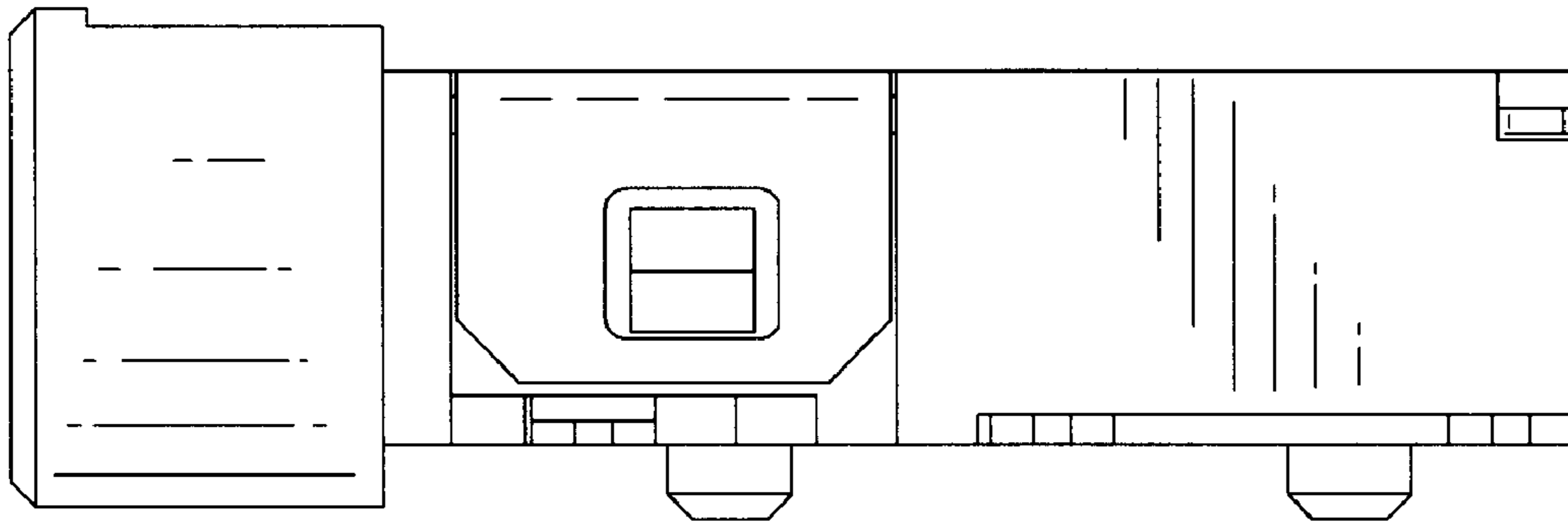


FIG. 5

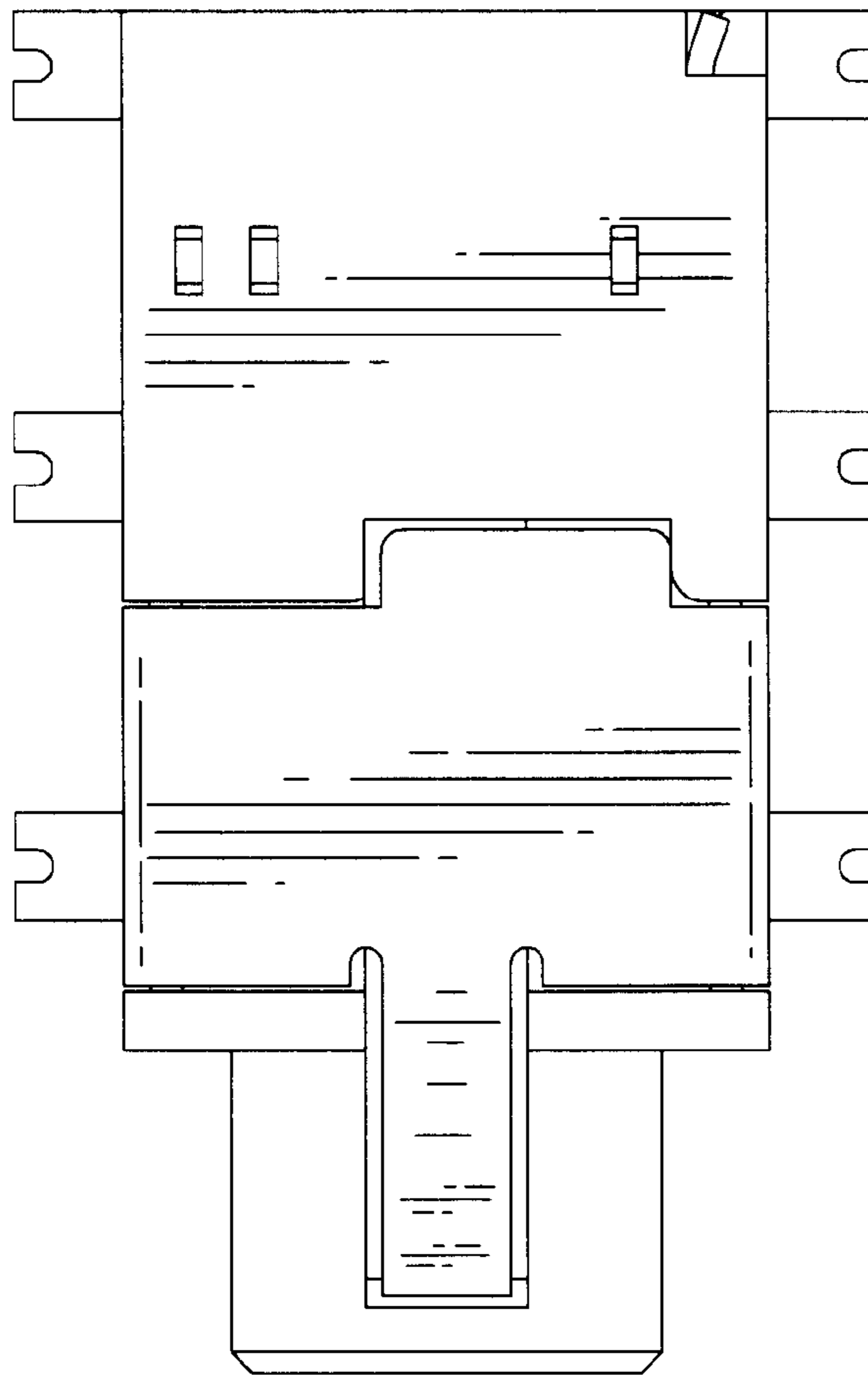


FIG. 6

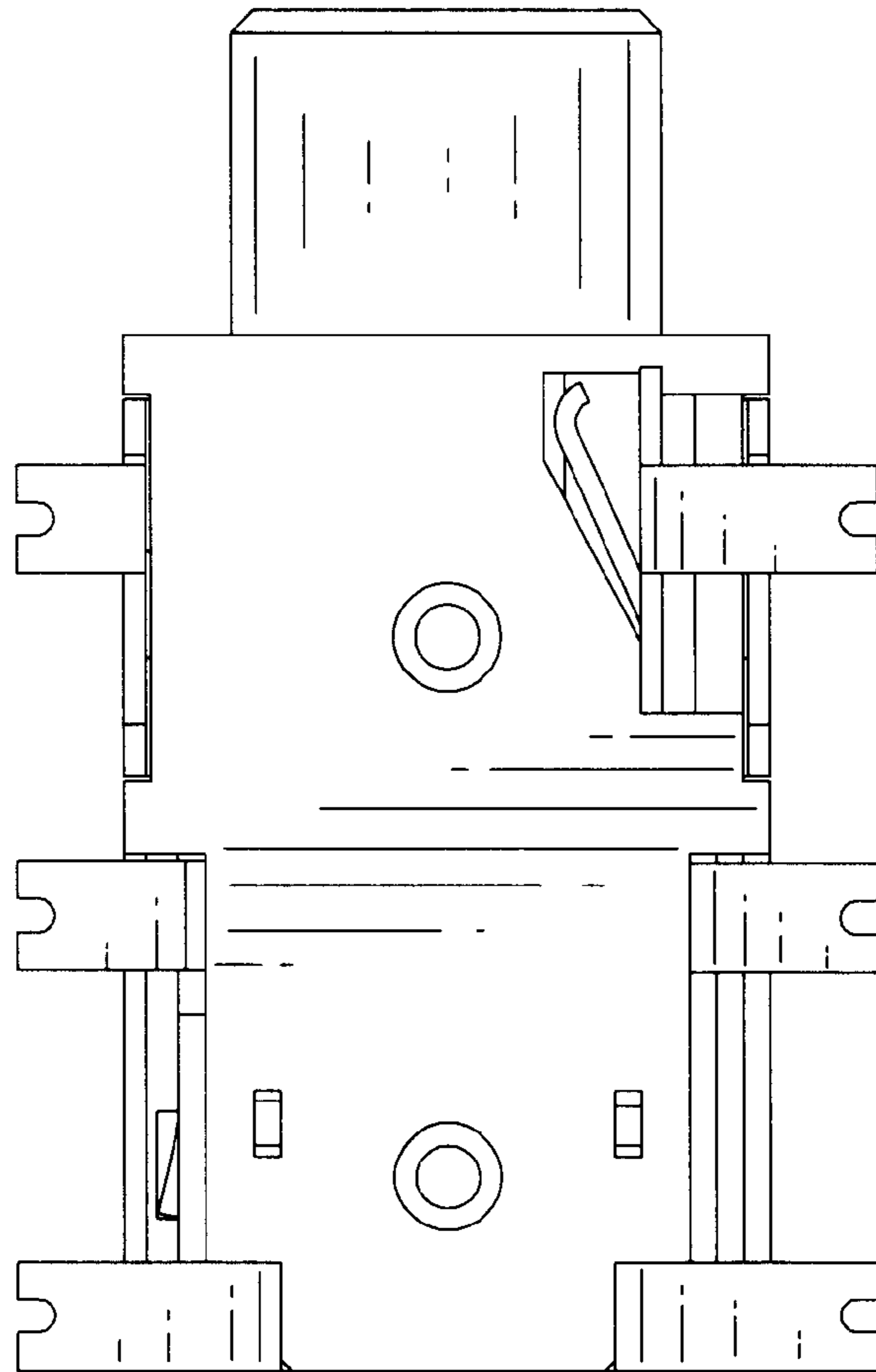


FIG. 7