



US00D533503S

(12) **United States Design Patent**
Ashida et al.

(10) **Patent No.:** **US D533,503 S**
(45) **Date of Patent:** **** Dec. 12, 2006**

(54) **CONNECTOR PLUG FOR HAND-HELD ELECTRONIC GAME MACHINE**

(75) Inventors: **Kenichiro Ashida**, Kyoto (JP); **Daisuke Kumazaki**, Kyoto (JP)

(73) Assignee: **Nintendo Co., Ltd.**, Kyoto (JP)

(**) Term: **14 Years**

(21) Appl. No.: **29/223,259**

(22) Filed: **Feb. 14, 2005**

(30) **Foreign Application Priority Data**

Aug. 19, 2004 (JP) 2004-024731

(51) **LOC (8) Cl.** **13-03**

(52) **U.S. Cl.** **D13/133; D13/146; D13/147**

(58) **Field of Classification Search** D13/133, D13/146-147, 154, 184, 199; D14/435; D21/332; 439/352, 607, 610, 686; 463/42, 43
See application file for complete search history.

(56) **References Cited**

U.S. PATENT DOCUMENTS

- D248,465 S * 7/1978 Roberts et al. D13/147
- D267,795 S * 2/1983 Mallon D13/119
- D368,082 S * 3/1996 Goto D14/435
- D428,939 S 8/2000 Ota et al.
- D449,078 S 10/2001 Fujita
- D452,281 S 12/2001 Ohno
- D458,643 S 6/2002 Ashida

- D464,626 S * 10/2002 Ashida et al. D13/147
- D468,692 S 1/2003 Ashida et al.
- D478,358 S * 8/2003 Ashida D21/332
- D505,133 S * 5/2005 Ashida et al. D14/435

* cited by examiner

Primary Examiner—Stella Reid
Assistant Examiner—Daniel Bui

(74) *Attorney, Agent, or Firm*—Nixon & Vanderhye, P.C.

(57) **CLAIM**

The ornamental design for a connector plug for hand-held electronic game machine, as shown and described.

DESCRIPTION

FIG. 1 is a front, top and right side perspective view of a connector plug for hand-held electronic game machine showing our new design;

FIG. 2 is a rear, bottom and left side perspective view thereof;

FIG. 3 is a top plan view thereof;

FIG. 4 is a bottom plan view thereof;

FIG. 5 is a front view thereof;

FIG. 6 is a rear view thereof;

FIG. 7 is a right side view thereof, a left side view being a mirror image thereof; and,

FIG. 8 is a rear, top and left side perspective view thereof, in use condition. The broken line showing of the environment is for illustrative purposes only and forms no part of the claimed design.

1 Claim, 4 Drawing Sheets

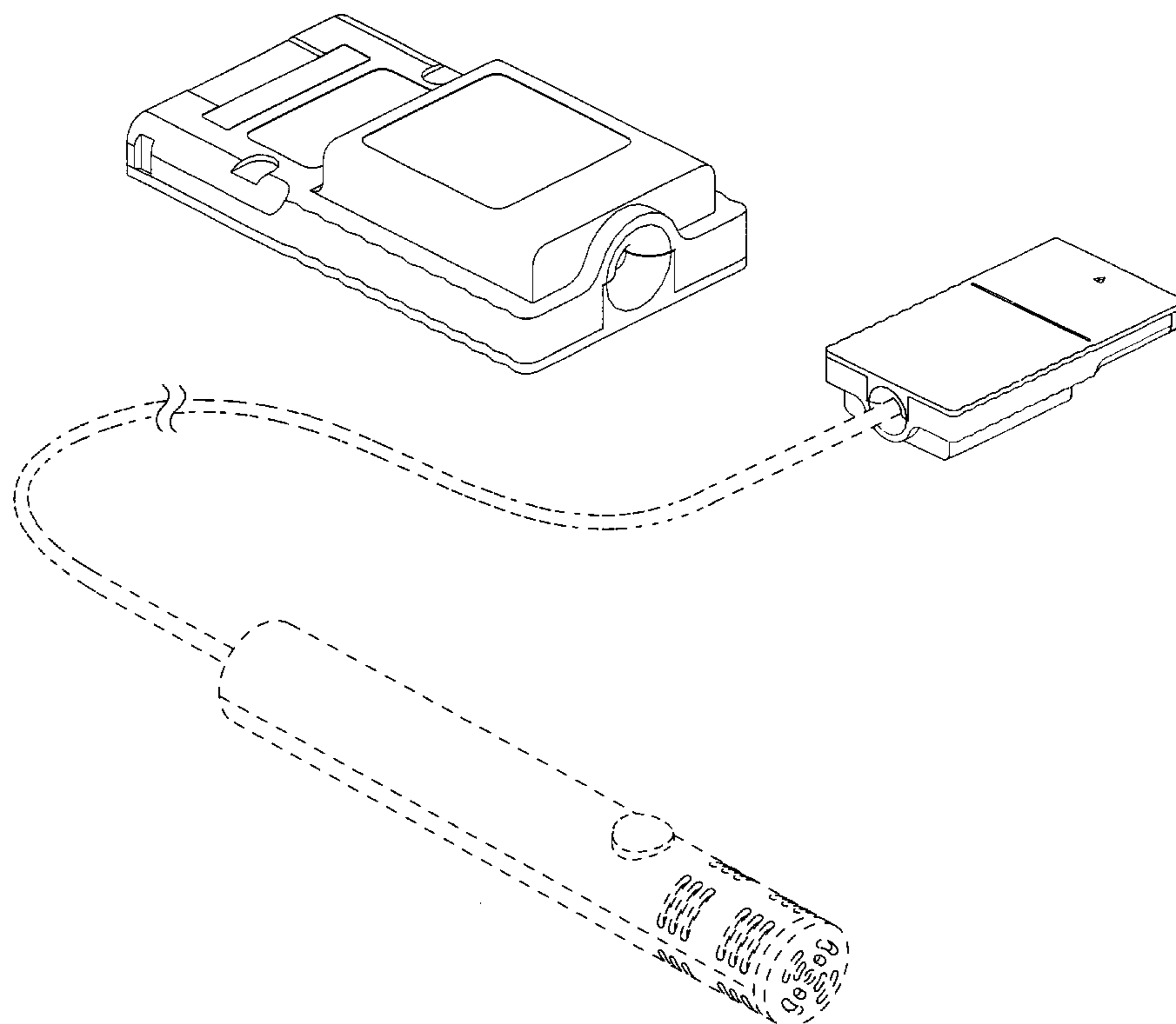


FIG. 1

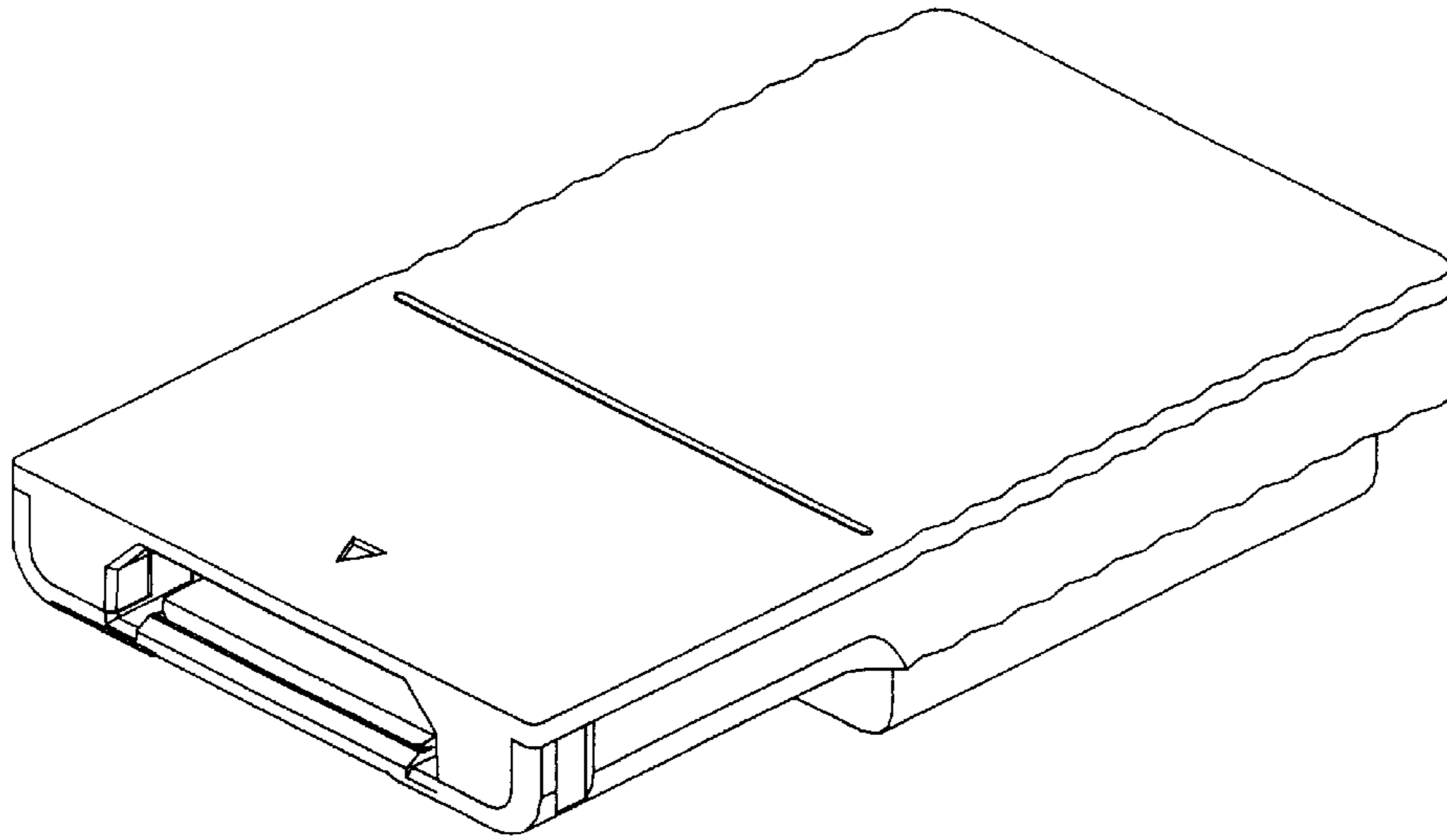


FIG. 2

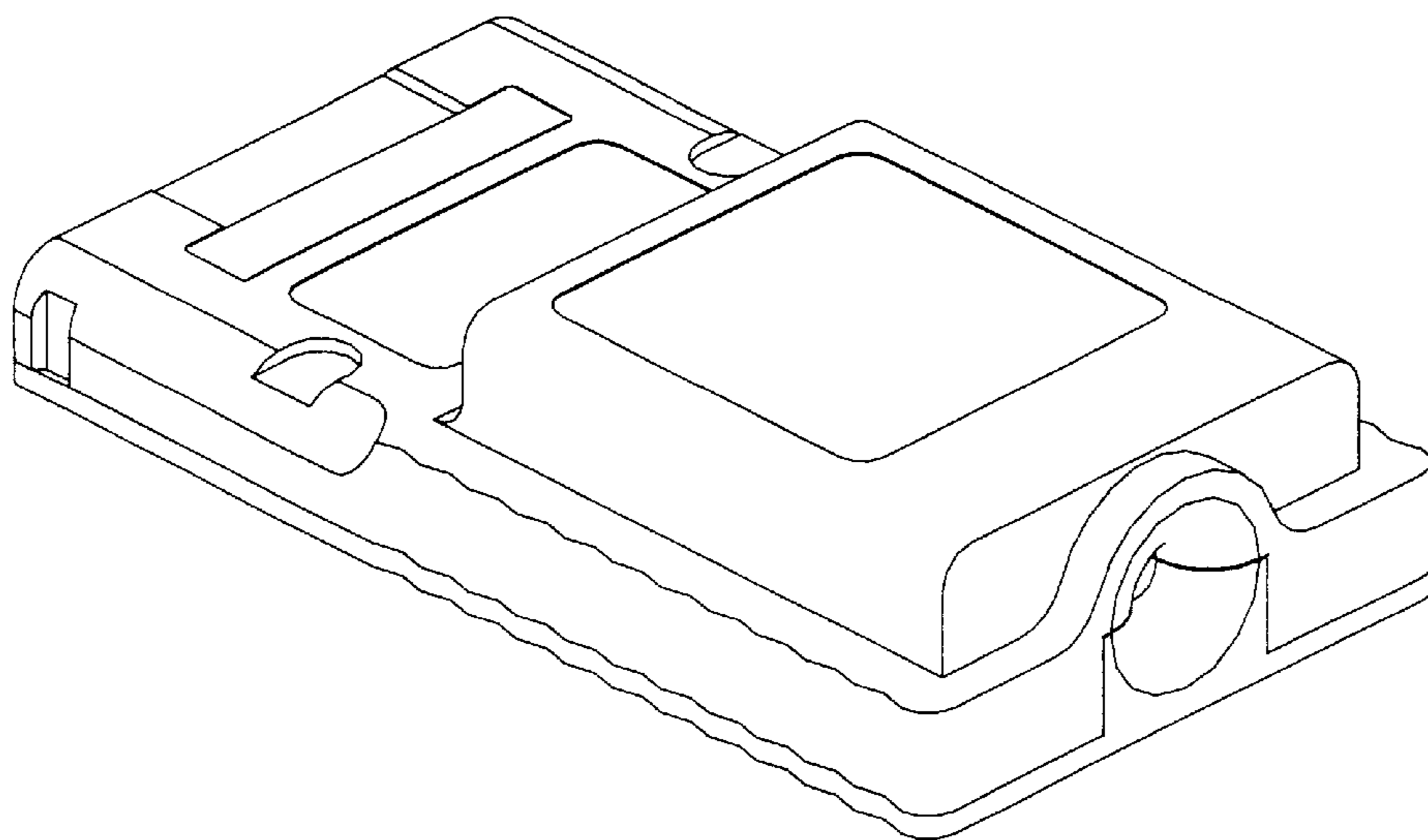


FIG. 3

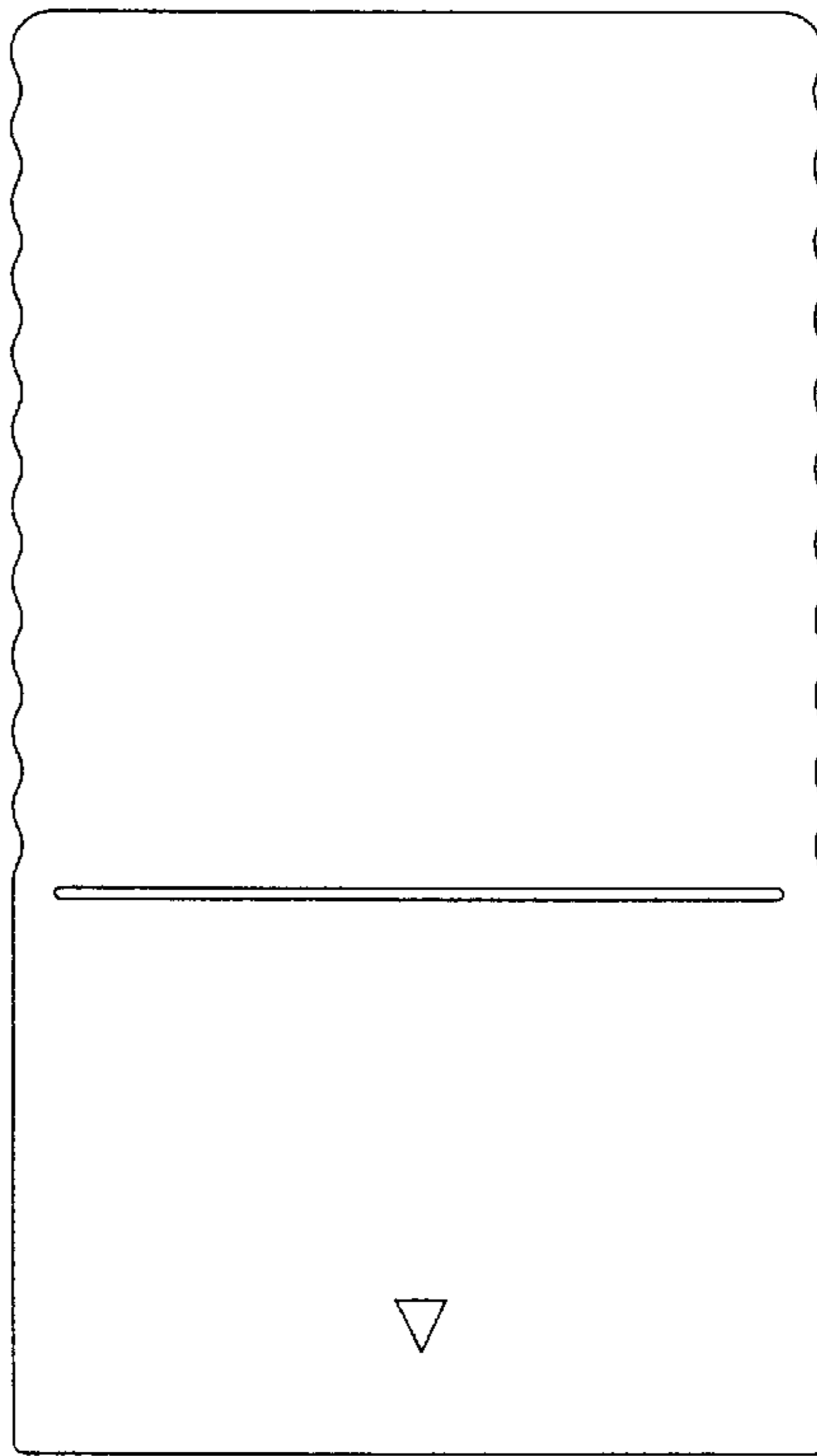


FIG. 4

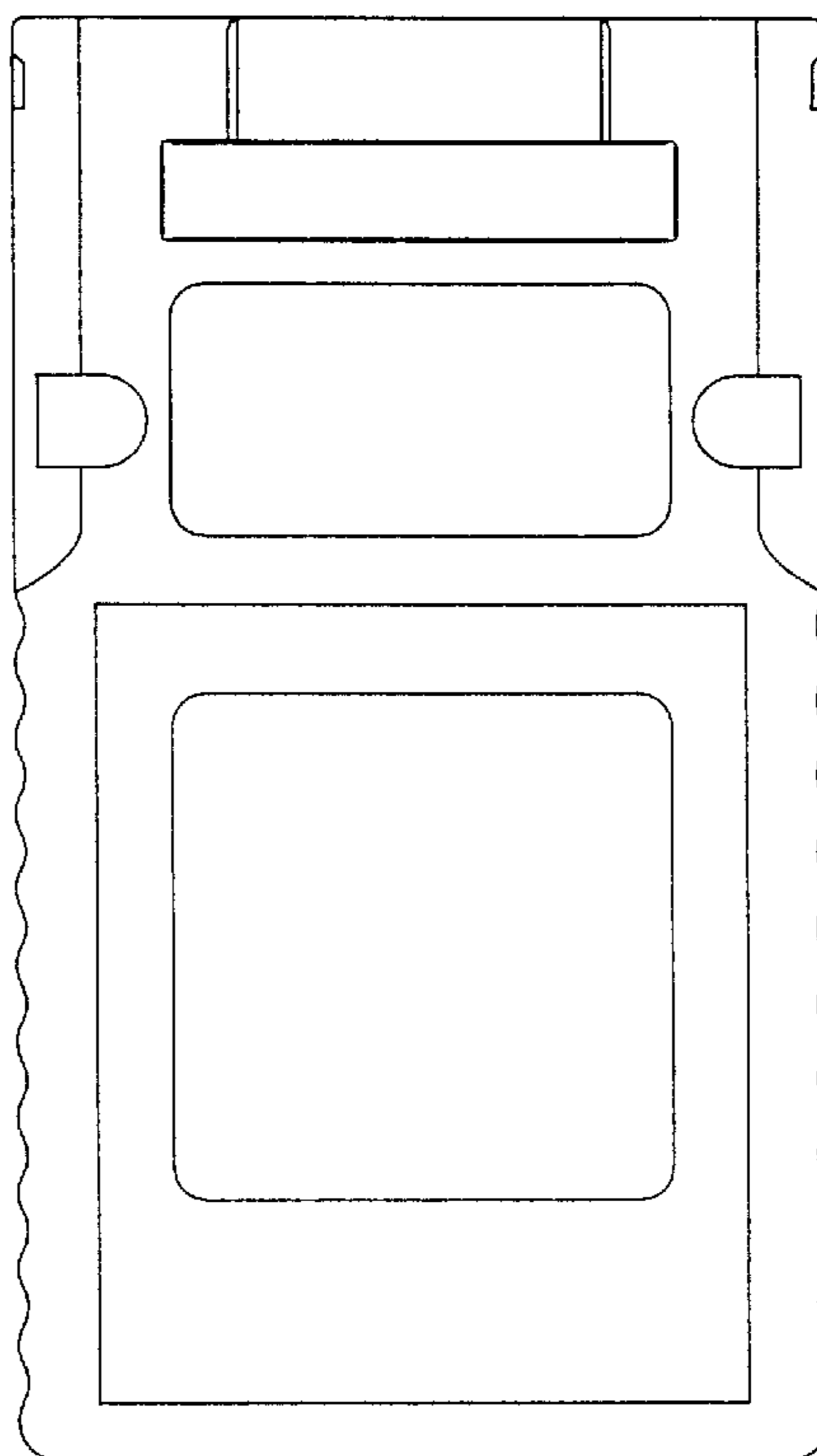


FIG. 5

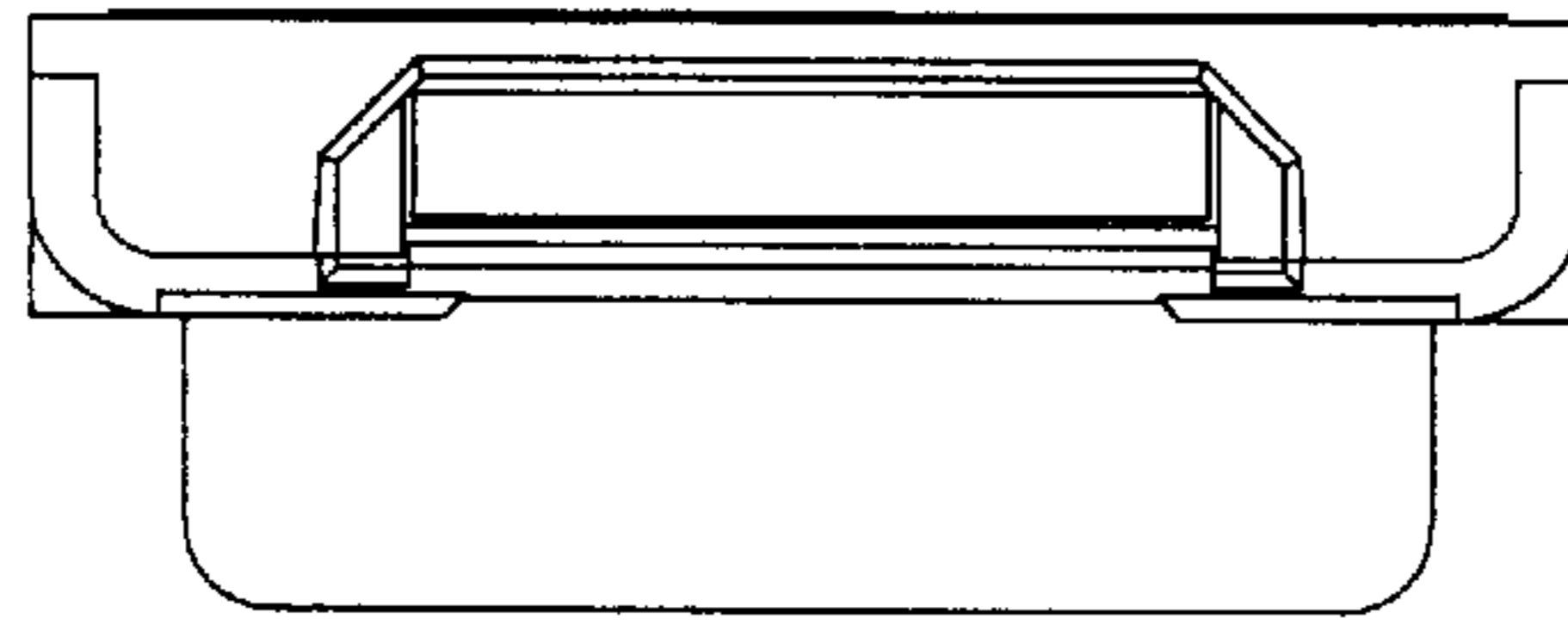


FIG. 6

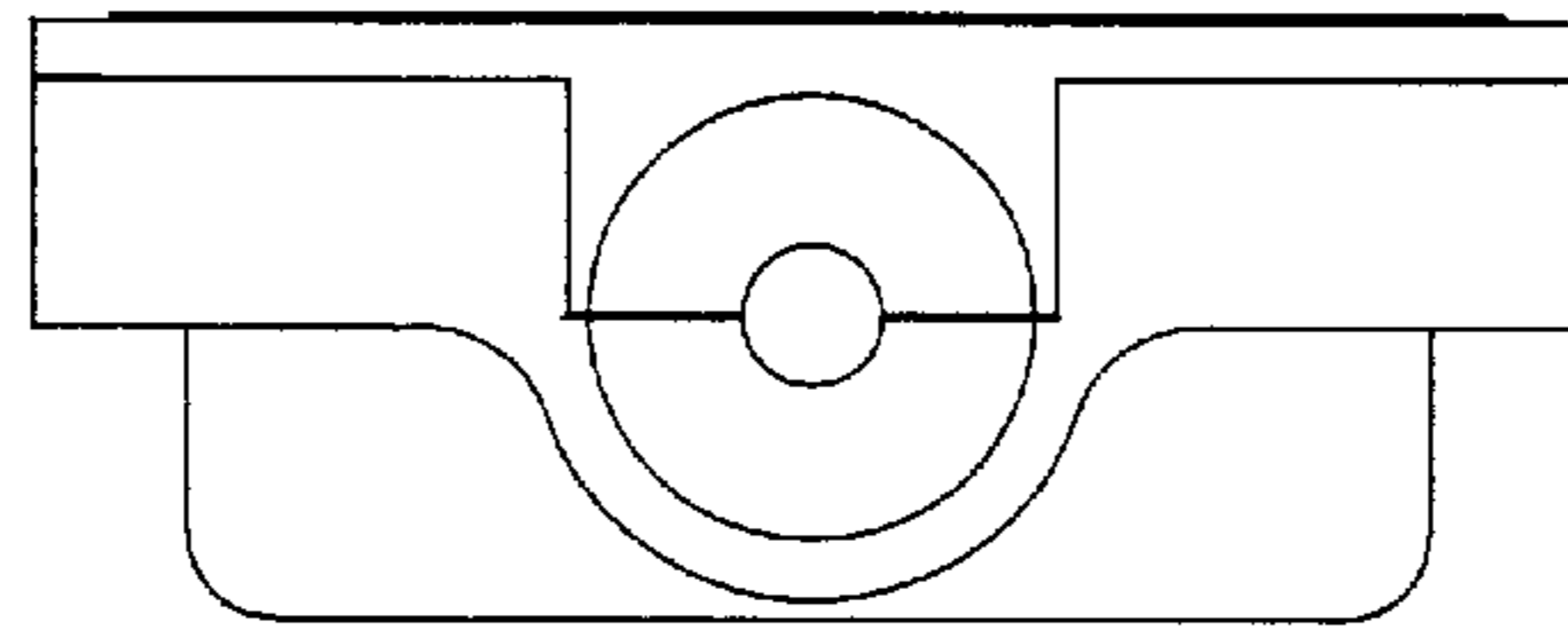
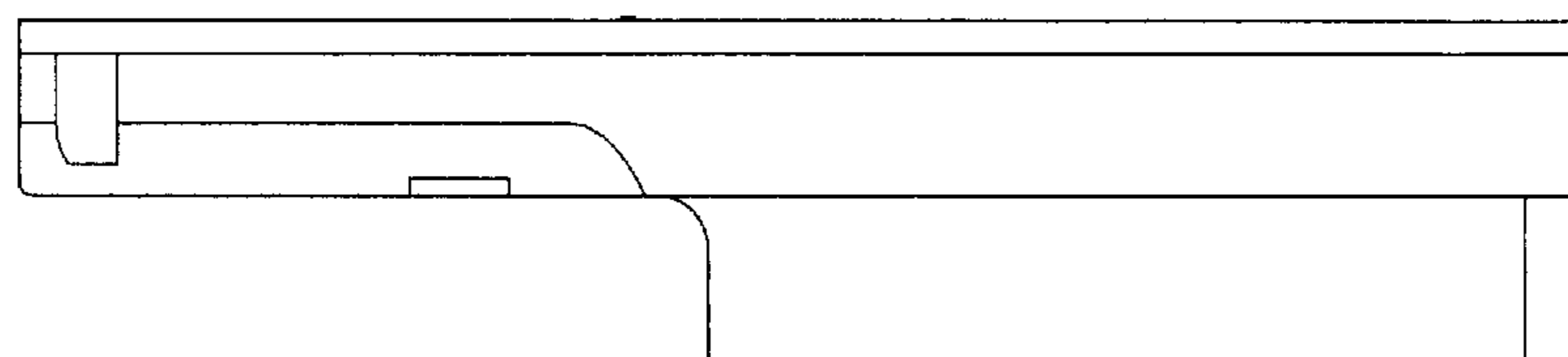


FIG. 7



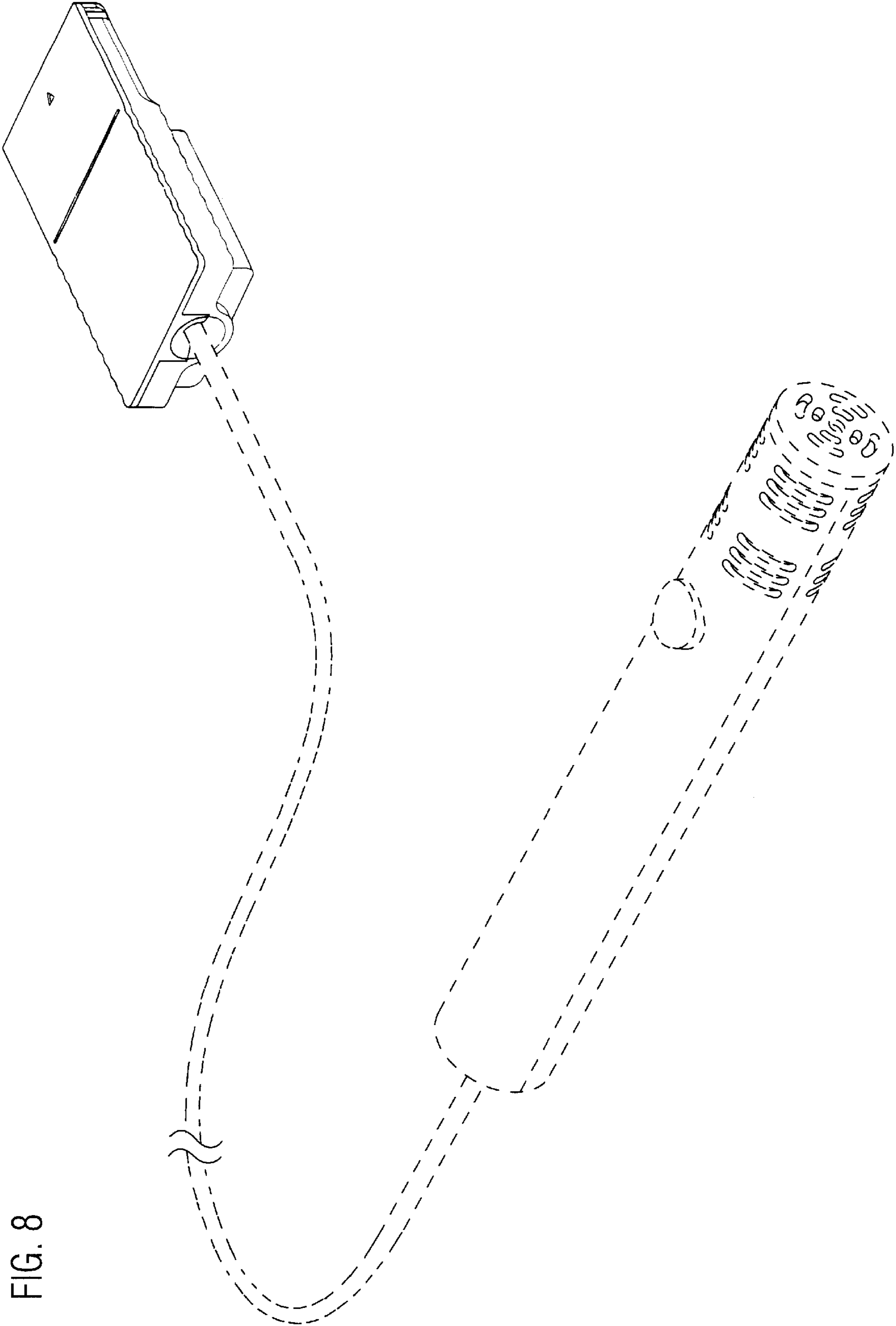


FIG. 8