

US00D533502S

(12) **United States Design Patent** (10) **Patent No.:** **US D533,502 S**
Wakefield et al. (45) **Date of Patent:** **** Dec. 12, 2006**

- (54) **SINGLE POLE, ANGLED POWER CONNECTOR** 4,422,706 A 12/1983 Neuhouser
- 5,049,176 A 9/1991 Cook et al.
- 5,223,013 A 6/1993 Cook et al.
- (75) Inventors: **Scott Wakefield**, Andover, MA (US); D340,028 S * 10/1993 Takizawa D13/133
- William Chura**, Medford, MA (US); 5,267,874 A 12/1993 Koegel et al.
- Benjamin Hermance**, Worcester, MA (US); 5,267,875 A 12/1993 Koegel et al.
- Thomas Eagan**, Chelmsford, MA (US); 5,458,510 A 10/1995 Nager, Jr. et al.
- Chad Terry**, Lunenburg, MA (US); 5,588,870 A 12/1996 Boteler et al.
- John Aho**, Lunenburg, MA (US) 5,591,046 A 1/1997 Klein et al.
- 5,774,980 A 7/1998 Klein et al.
- (73) Assignee: **Anderson Power Products**, Sterling, MA (US) 5,947,766 A * 9/1999 Tsuji et al. 439/559
- 6,071,145 A 6/2000 Toly
- 6,123,573 A 9/2000 Savicki, Jr.
- (**) Term: **14 Years** 6,193,543 B1 2/2001 Howard et al.
- 6,471,546 B1 * 10/2002 Zhu et al. 439/607
- 6,857,890 B1 * 2/2005 Kammerer et al. 439/312
- (21) Appl. No.: **29/213,327** 6,899,572 B1 5/2005 Baker et al.
- (22) Filed: **Sep. 16, 2004** 6,923,670 B1 8/2005 Holmes et al.

(Continued)

- (51) **LOC (8) Cl.** **13-03**
- (52) **U.S. Cl.** **D13/133**
- (58) **Field of Classification Search** D13/133, D13/146-147, 154, 184, 199; 439/160, 212-213, 439/361, 368-369, 370-372, 607-610
See application file for complete search history.

Primary Examiner—Stella Reid
Assistant Examiner—Daniel Bui
(74) *Attorney, Agent, or Firm*—Maine & Asmus

(57) **CLAIM**

The ornamental design of a single pole, angled power connector, as shown and described.

DESCRIPTION

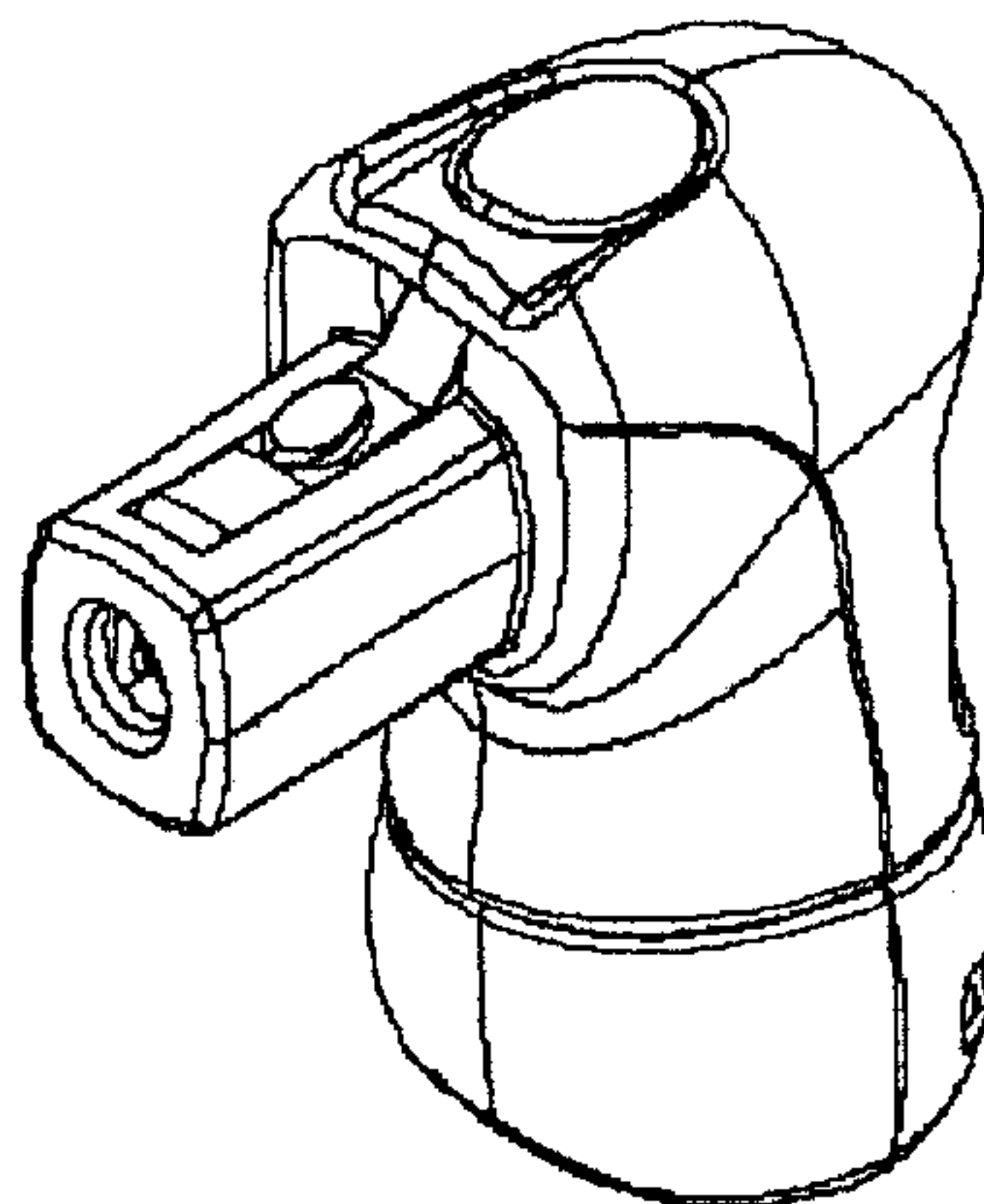
FIG. 1 is a perspective of a single pole, angled power connector, showing our new design; FIG. 2 is a top plan view thereof; FIG. 3 is a front elevation view thereof; FIG. 4 is a right side elevation view thereof; FIG. 5 is a back elevation view thereof; FIG. 6 is a left side elevation view thereof; and, FIG. 7 is a bottom plan view thereof. The designations of the views below as top, bottom, right side, left side, front, and back are for ease of discussion only and are not intended to limit the single pole, angled power connector to one particular orientation. The single pole, angled power connector can be oriented in other directions which would alter these designations.

(56) **References Cited**

U.S. PATENT DOCUMENTS

- 3,259,870 A 7/1966 Winkler
- D206,589 S * 1/1967 Goldbaum et al. D13/146
- 3,605,050 A 9/1971 Goldman et al.
- 3,648,219 A 3/1972 Goldman
- 3,654,586 A 4/1972 Winkler
- 3,676,770 A 7/1972 Sharaf et al.
- 3,731,189 A 5/1973 Sharaf et al.
- 3,794,957 A 2/1974 Winkler
- 3,803,535 A 4/1974 Wilson
- 3,808,522 A 4/1974 Sharaf
- 3,860,315 A 1/1975 Tetreault et al.
- 3,909,099 A 9/1975 Winkler
- 4,108,527 A 8/1978 Douty et al.
- 4,120,552 A 10/1978 Winkler et al.
- 4,180,770 A 12/1979 Eby
- 4,237,198 A 12/1980 Eby et al.
- 4,248,942 A 2/1981 Eby et al.
- D271,196 S 11/1983 Tetreault

1 Claim, 2 Drawing Sheets



US D533,502 S

Page 2

U.S. PATENT DOCUMENTS

6,923,685 B1 8/2005 Holmes et al.
6,955,569 B1 10/2005 Baker et al.
D512,687 S 12/2005 Baker et al.
2003/0216075 A1 11/2003 Baker et al.
2003/0228802 A1 12/2003 Palagi et al.
2004/0077205 A1 4/2004 Holmes et al.
2004/0171309 A1 9/2004 Baker et al.

2004/0175981 A1 9/2004 Holmes et al.
2004/0219843 A1 11/2004 Baker et al.
2004/0224575 A1 11/2004 Baker et al.
2004/0235320 A1 11/2004 Holmes et al.
2005/0032436 A1 2/2005 Mancini et al.
2005/0119366 A1 6/2005 Moy et al.

* cited by examiner

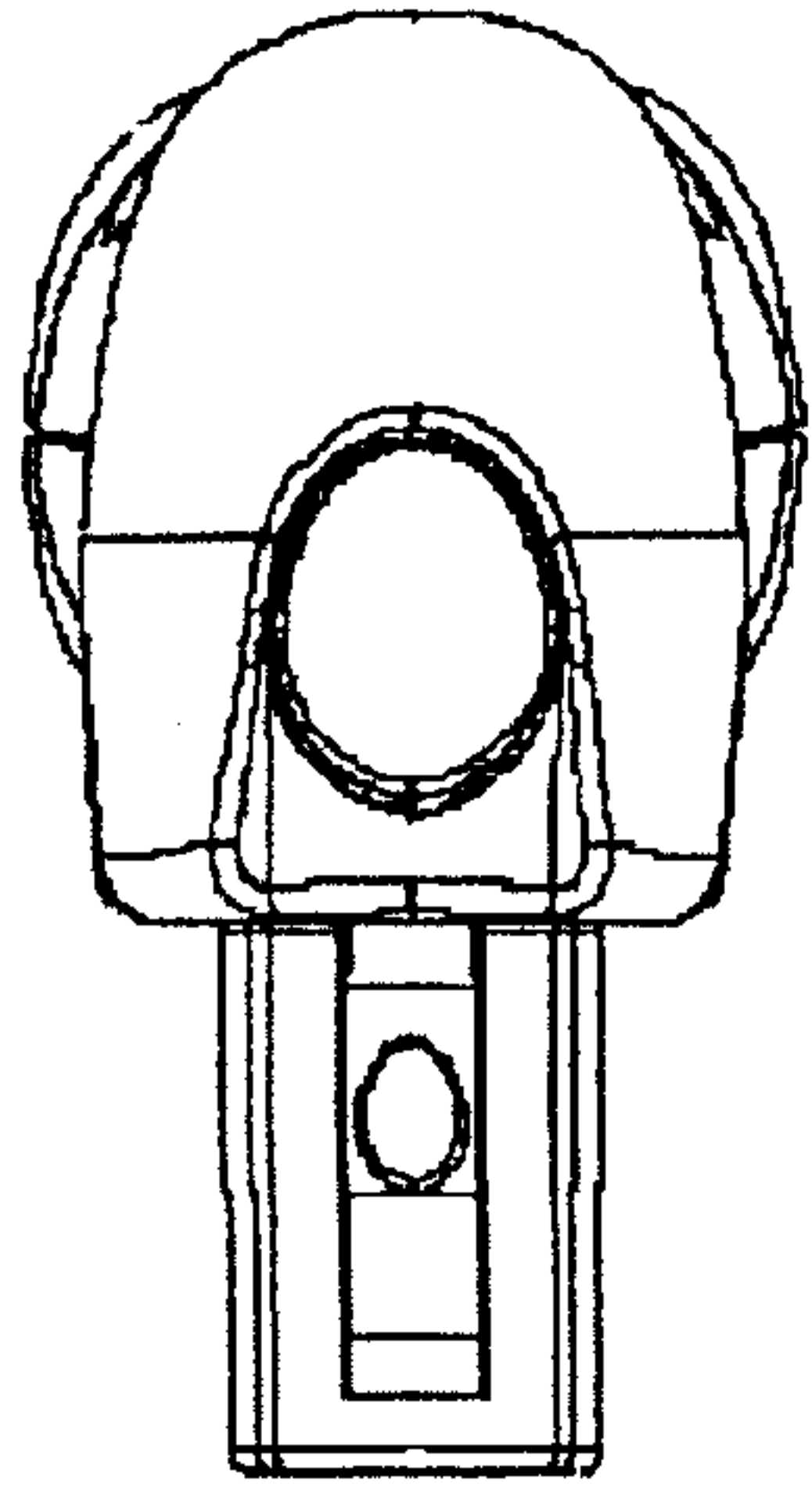


FIG. 2

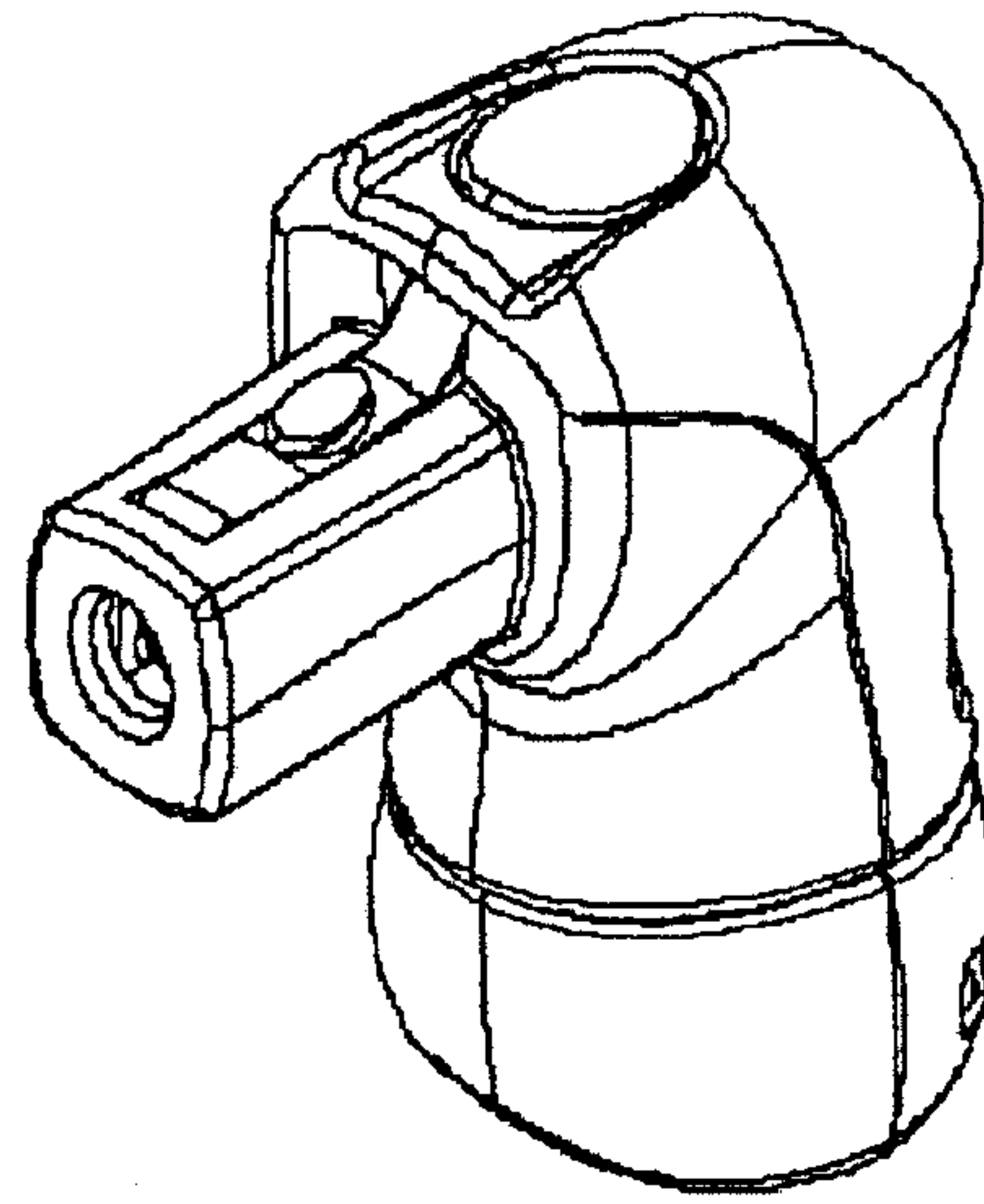


FIG. 1

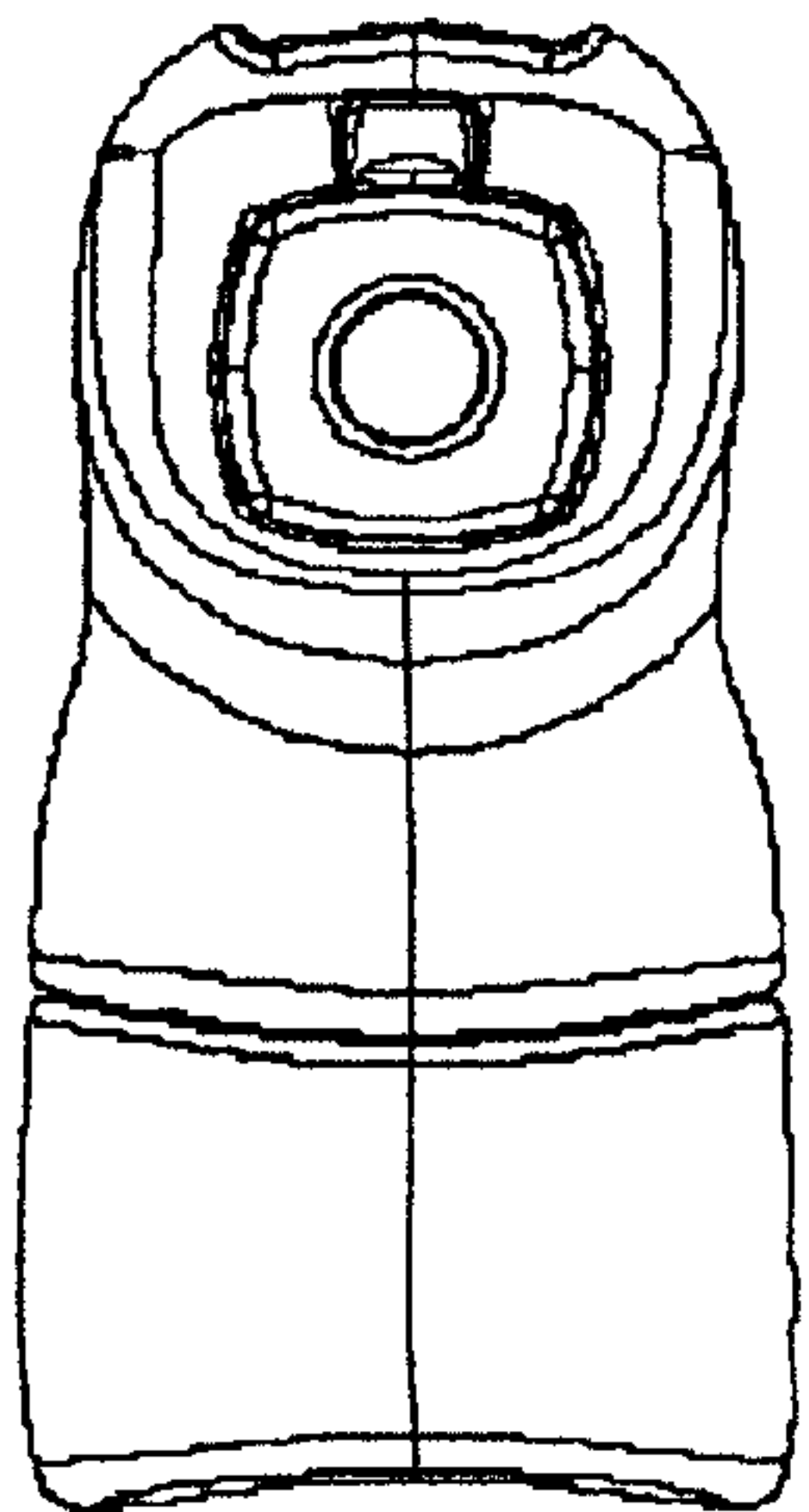


FIG. 3

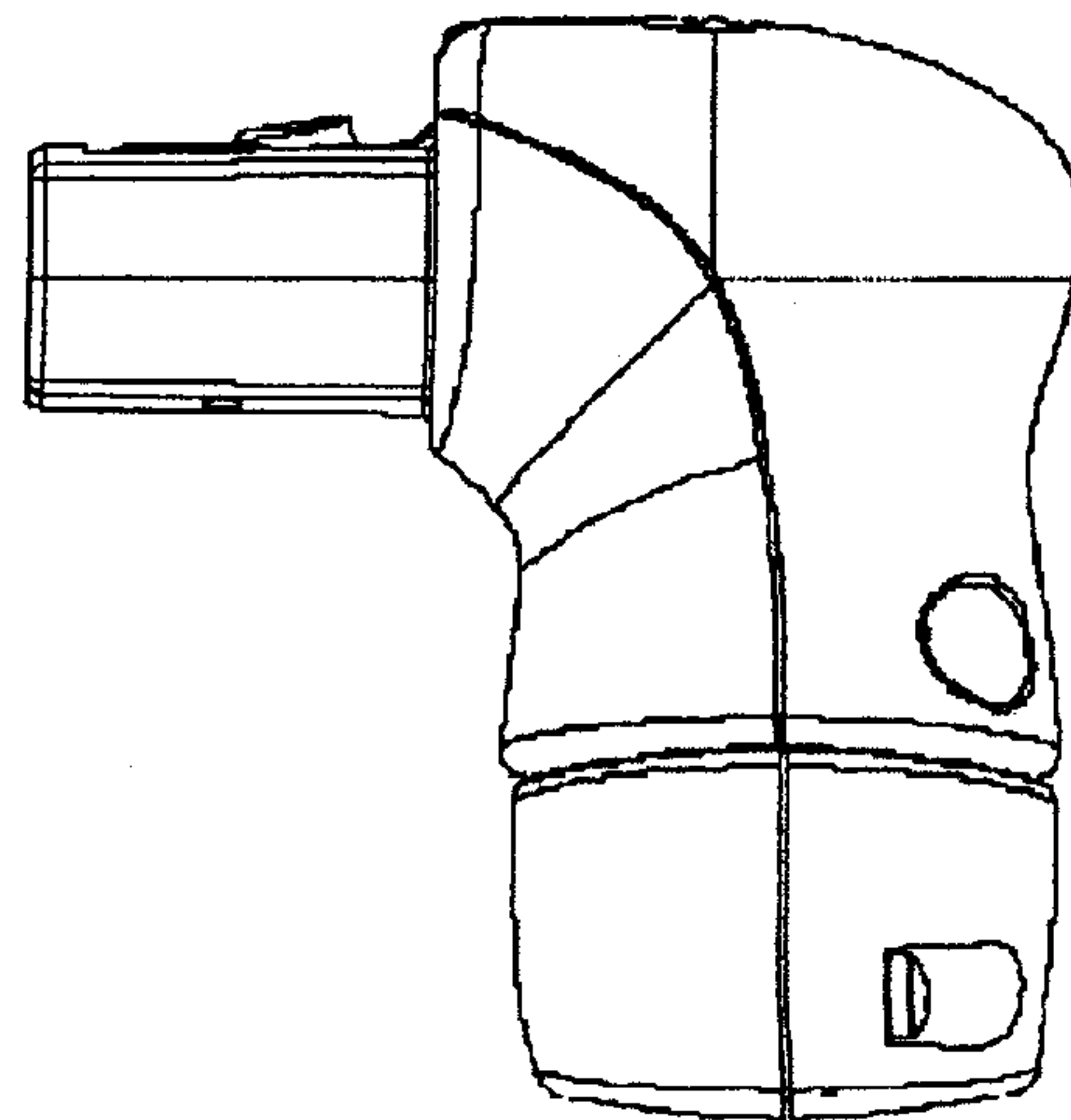


FIG. 4

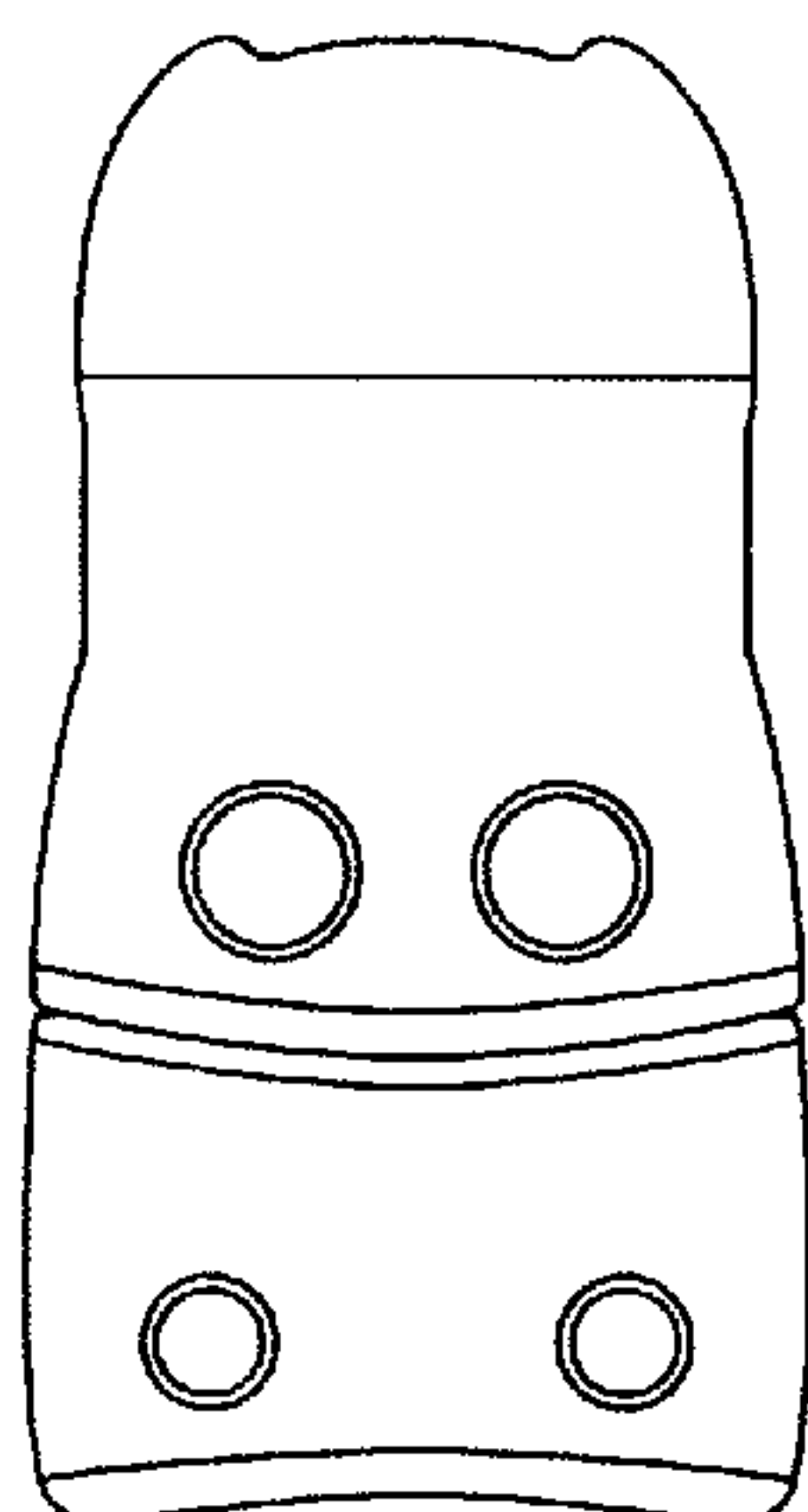


FIG. 5

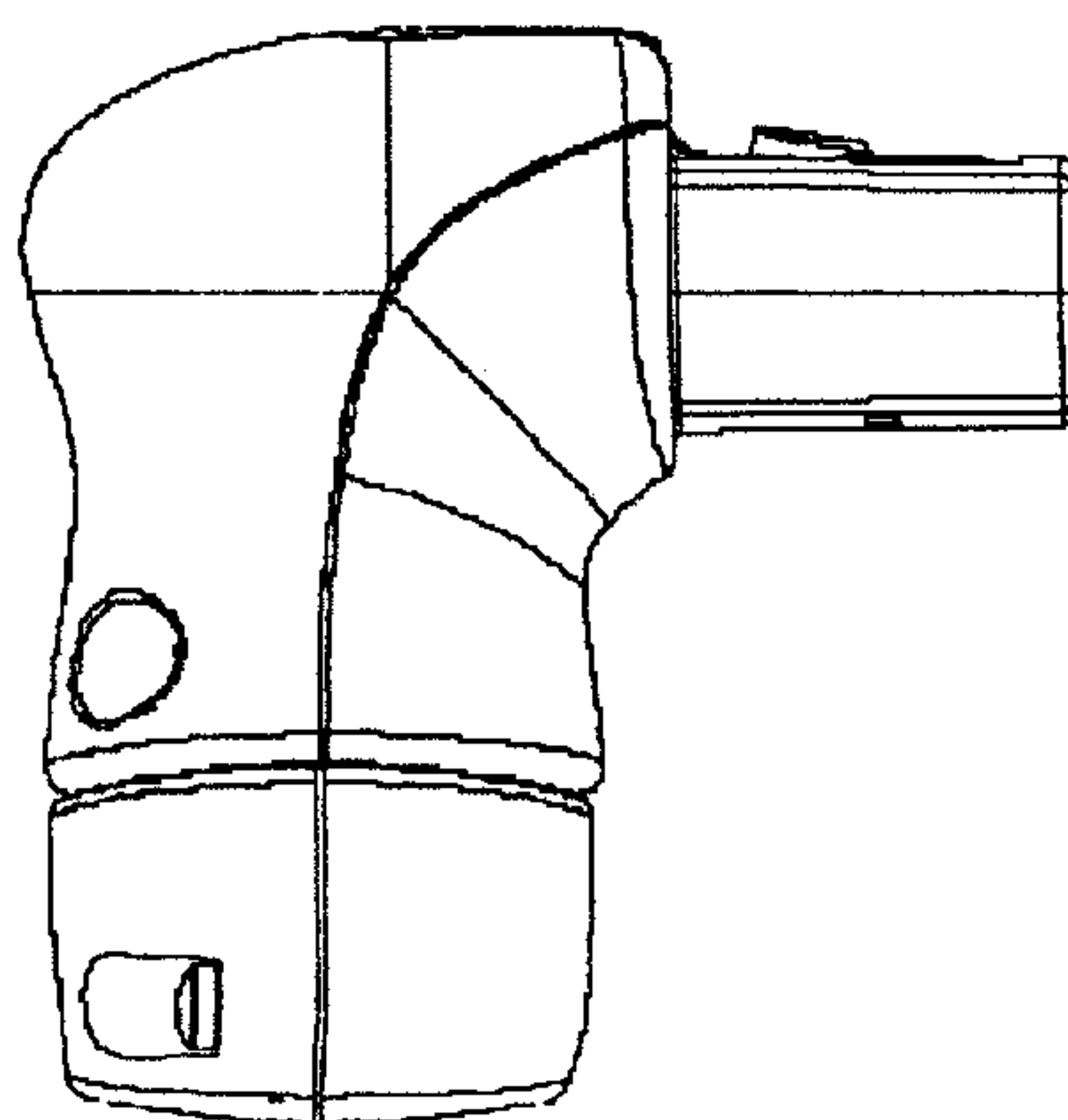


FIG. 6

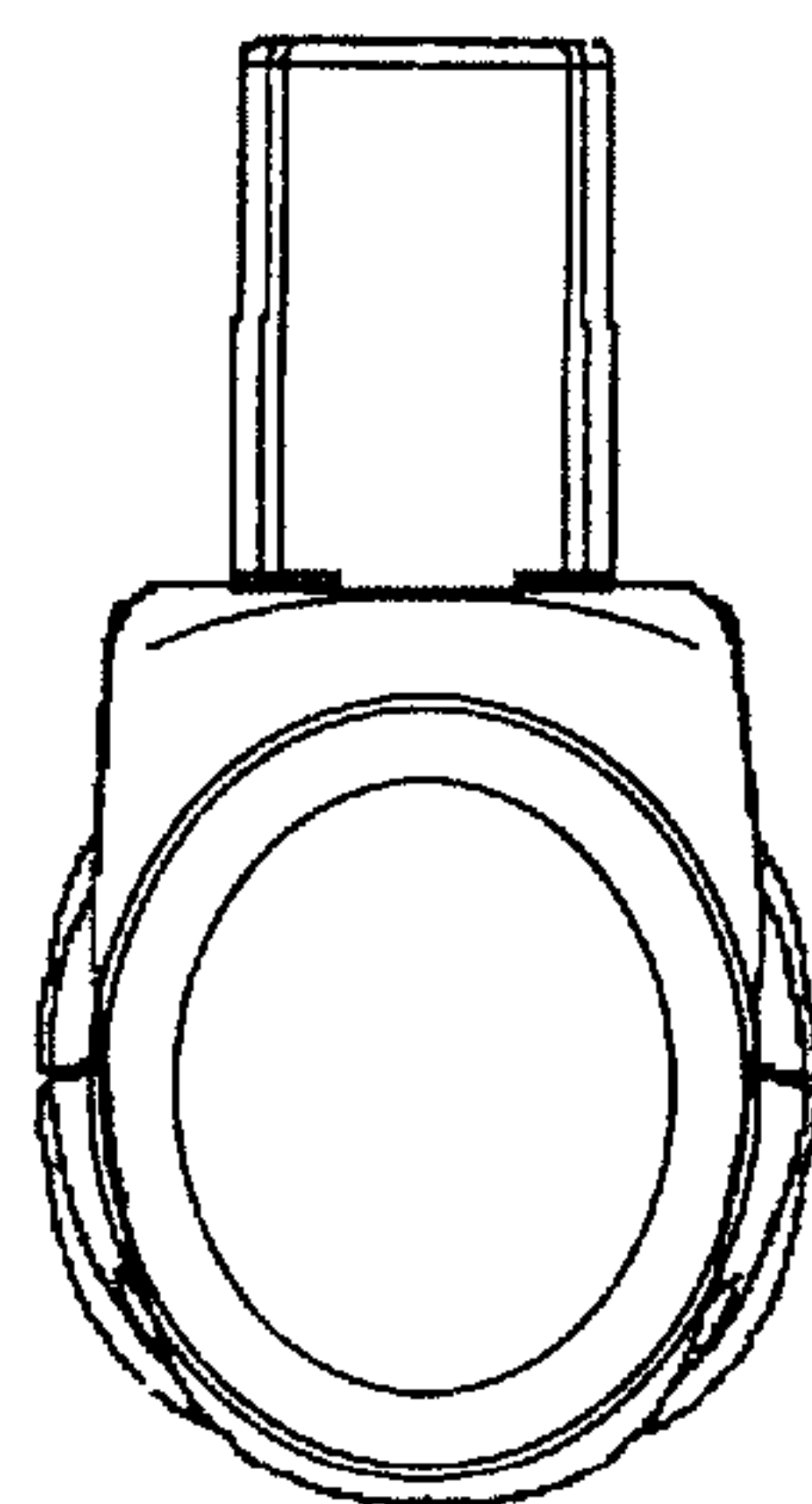


FIG. 7

UNITED STATES PATENT AND TRADEMARK OFFICE
CERTIFICATE OF CORRECTION

PATENT NO. : Des. 533,502 S
APPLICATION NO. : 29/213327
DATED : December 12, 2006
INVENTOR(S) : Scott Wakefield

Page 1 of 4


It is certified that error appears in the above-identified patent and that said Letters Patent is hereby corrected as shown below:

The Title Page, showing an illustrative figure, should be deleted and substitute therefor the attach title page.

Delete drawings sheets 1-2 and substitute therefor the drawing sheets, consisting of figs. 1-7 as shown on the attached page.

Signed and Sealed this

Eighteenth Day of September, 2007

A handwritten signature in black ink on a dotted background. The signature reads "Jon W. Dudas" in a cursive style.

JON W. DUDAS

Director of the United States Patent and Trademark Office

(12) **United States Design Patent** (10) Patent No.: **US D533,502 S**
 Wakefield et al. (45) Date of Patent: **** Dec. 12, 2006**

(54) **SINGLE POLE, ANGLED POWER CONNECTOR** 4,422,766 A 12/1983 Neuhauser
 5,049,176 A 9/1991 Cook et al.
 5,223,013 A 8/1993 Cook et al.
 (75) Inventors: Scott Wakefield, Andover, MA (US); 5,400,828 S * 10/1993 Takizawa D13/133
 William Ciura, Medford, MA (US); 5,257,874 A 12/1993 Koegel et al.
 Benjamin Hermance, Worcester, MA 5,257,875 A 12/1993 Koegel et al.
 (US); Thomas Eagan, Chelmsford, MA 5,459,510 A 10/1995 Nager, Jr. et al.
 (US); Chad Terry, Lunenburg, MA 5,588,870 A 12/1998 Boteler et al.
 (US); John Aho, Lunenburg, MA (US) 5,581,046 A 1/1997 Klein et al.
 5,774,980 A 7/1998 Klein et al.
 5,947,766 A * 9/1999 Tsuji et al. 439/559
 (73) Assignee: Anderson Power Products, Sterling, 6,071,145 A 6/2000 Toly
 MA (US) 6,123,573 A 9/2000 Savicki, Jr.
 (**) Term: 14 Years 6,193,543 B1 2/2001 Howard et al.
 (21) Appl. No.: 29/213,327 6,471,546 B1 * 10/2002 Zhu et al. 439/607
 (22) Filed: Sep. 16, 2004 6,857,890 B1 * 2/2005 Kammerer et al. 439/312
 6,899,573 B1 5/2005 Baker et al.
 6,923,678 B1 8/2005 Holmes et al.

(Continued)

(51) **LOC (8) CL** 13-03
 (52) **U.S. CL** D13/133
 (58) **Field of Classification Search** D13/133,
 D13/146-147, 154, 184, 199; 439/160, 212-213,
 439/361, 368-369, 370-372, 607-610
 See application file for complete search history.

Primary Examiner—Stella Reid
 Assistant Examiner—Daniel Bul
 (74) Attorney, Agent, or Firm—Maine & Assoc

(57) **CLAIM**

The ornamental design of a single pole, angled power connector, as shown and described.

(55) **References Cited**
U.S. PATENT DOCUMENTS

DESCRIPTION

3,259,870 A 7/1966 Winkler
 D206,589 S * 1/1967 Goldbaum et al. D13/146
 3,606,060 A 9/1971 Goldman et al.
 3,648,219 A 3/1972 Goldman
 3,654,586 A 4/1972 Winkler
 3,676,770 A 7/1972 Sharaf et al.
 3,731,189 A 9/1973 Sharaf et al.
 3,794,957 A 2/1974 Winkler
 3,803,535 A 4/1974 Wilson
 3,808,522 A 4/1974 Sharaf
 3,860,315 A 1/1975 Tetreault et al.
 3,909,099 A 9/1975 Winkler
 4,108,527 A 8/1978 Douty et al.
 4,120,552 A 10/1978 Winkler et al.
 4,180,770 A 12/1979 Eby
 4,237,198 A 12/1989 Eby et al.
 4,248,942 A 2/1981 Eby et al.
 D271,196 S 11/1983 Tetreault

FIG. 1 is a perspective of a single pole, angled power connector, showing our new design;
 FIG. 2 is a top plan view thereof;
 FIG. 3 is a front elevation view thereof;
 FIG. 4 is a right side elevation view thereof;
 FIG. 5 is a back elevation view thereof;
 FIG. 6 is a left side elevation view thereof; and,
 FIG. 7 is a bottom plan view thereof.
 The designations of the views below as top, bottom, right side, left side, front, and back are for ease of discussion only and are not intended to limit the single pole, angled power connector to one particular orientation. The single pole, angled power connector can be oriented in other directions which would alter these designations.

1 Claim, 2 Drawing Sheets

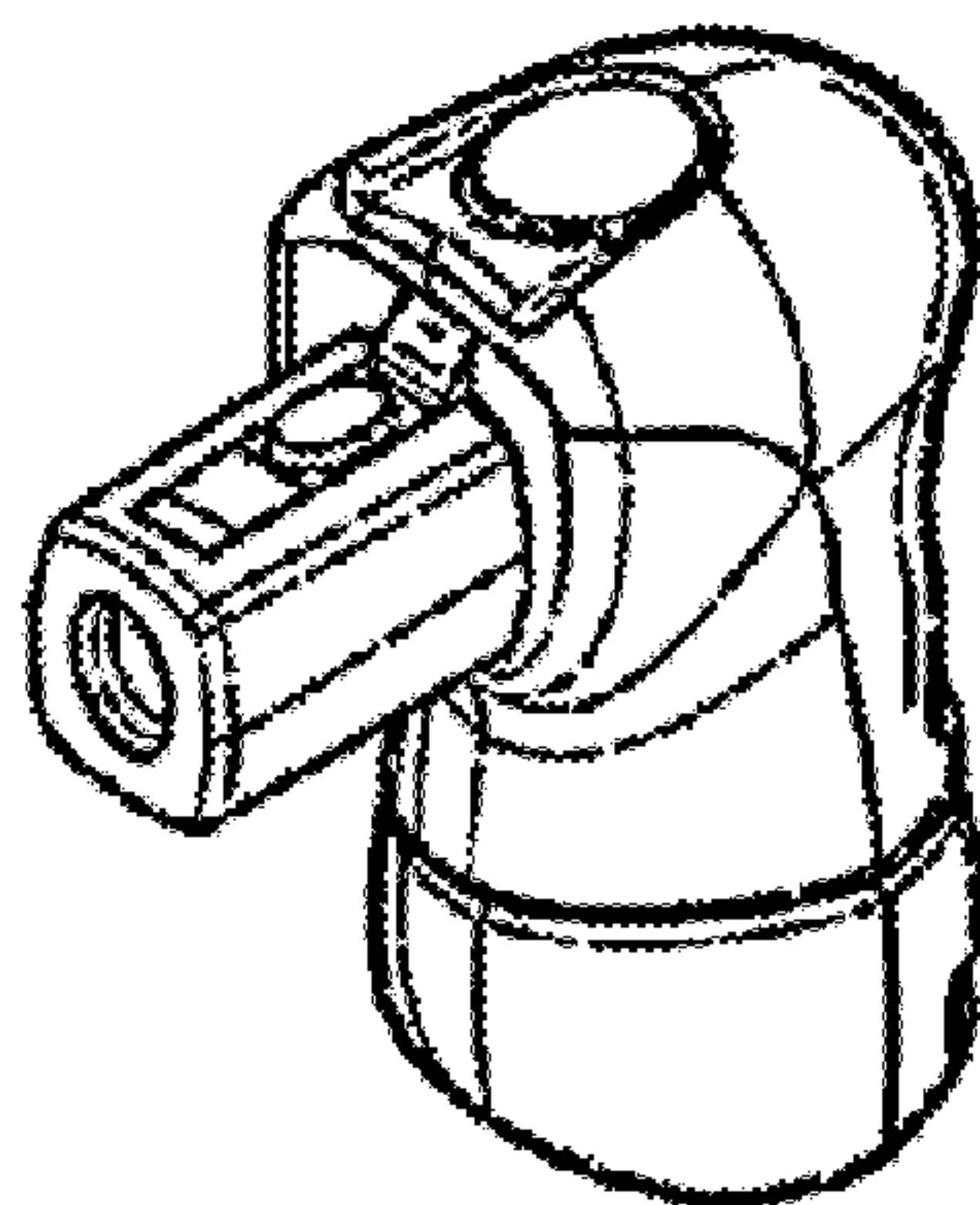


FIG. 1

U.S. Patent

Dec. 12, 2006

Sheet 1 of 2

D533,502 S

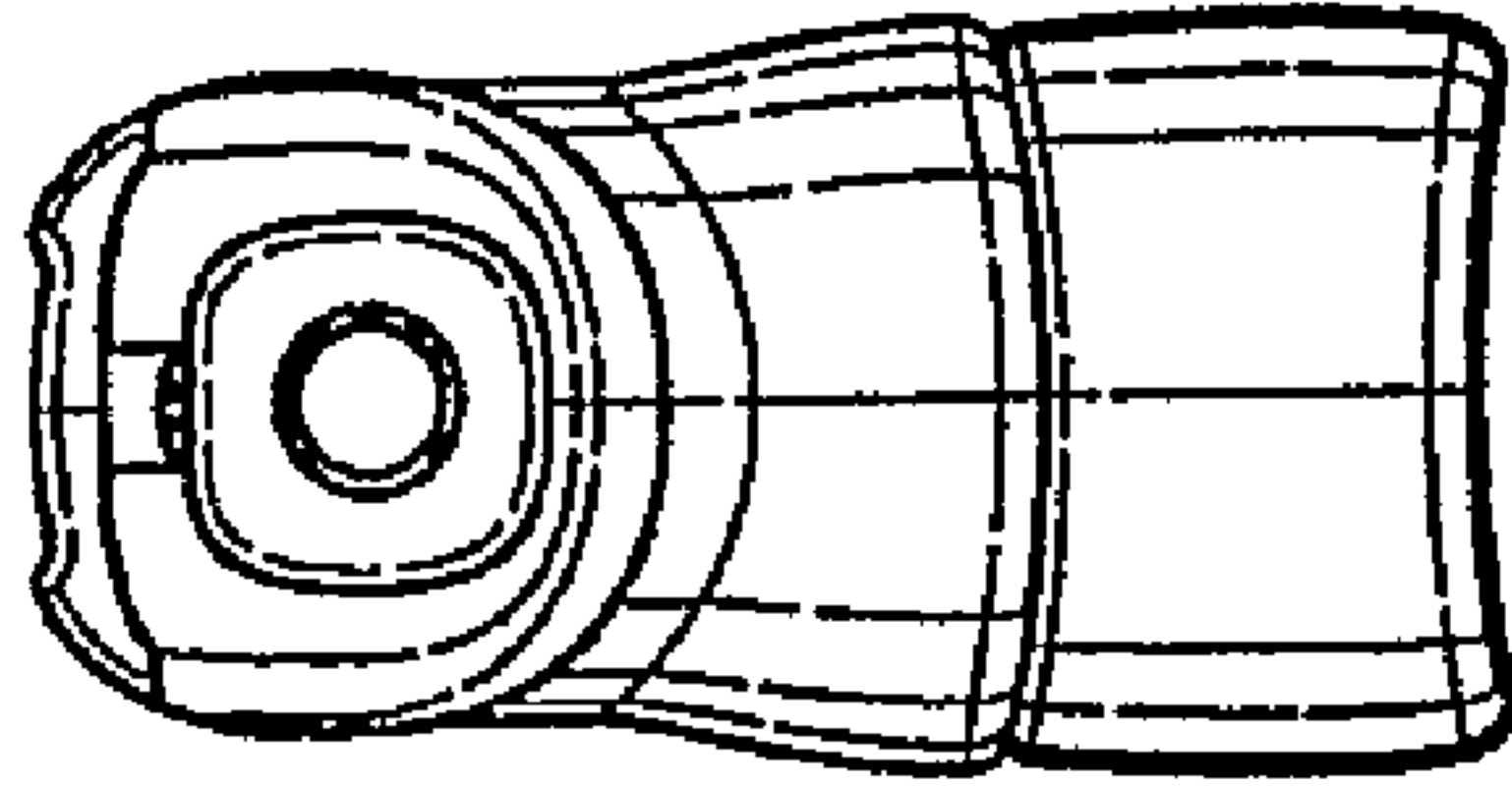


FIG. 3

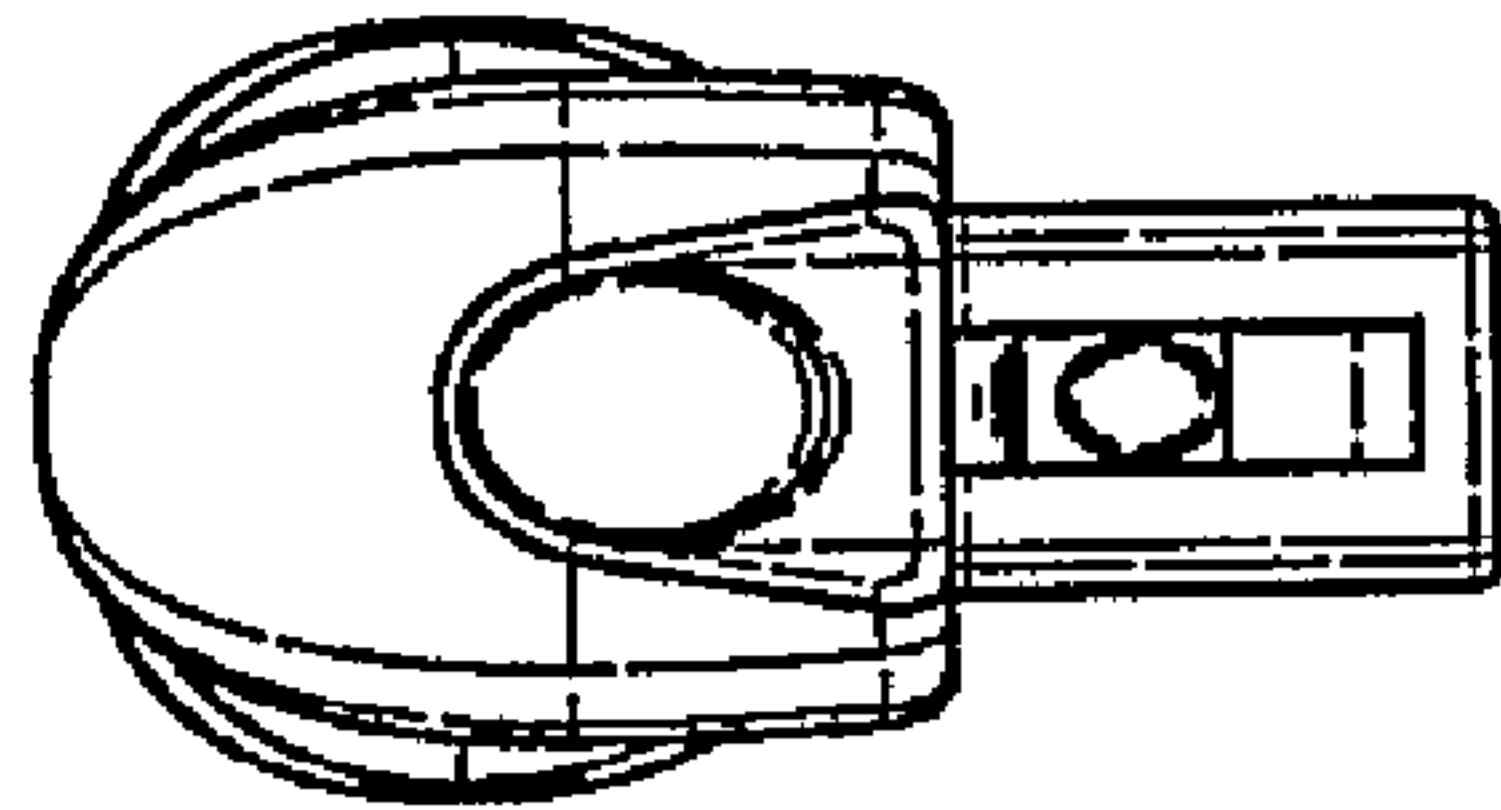


FIG. 2

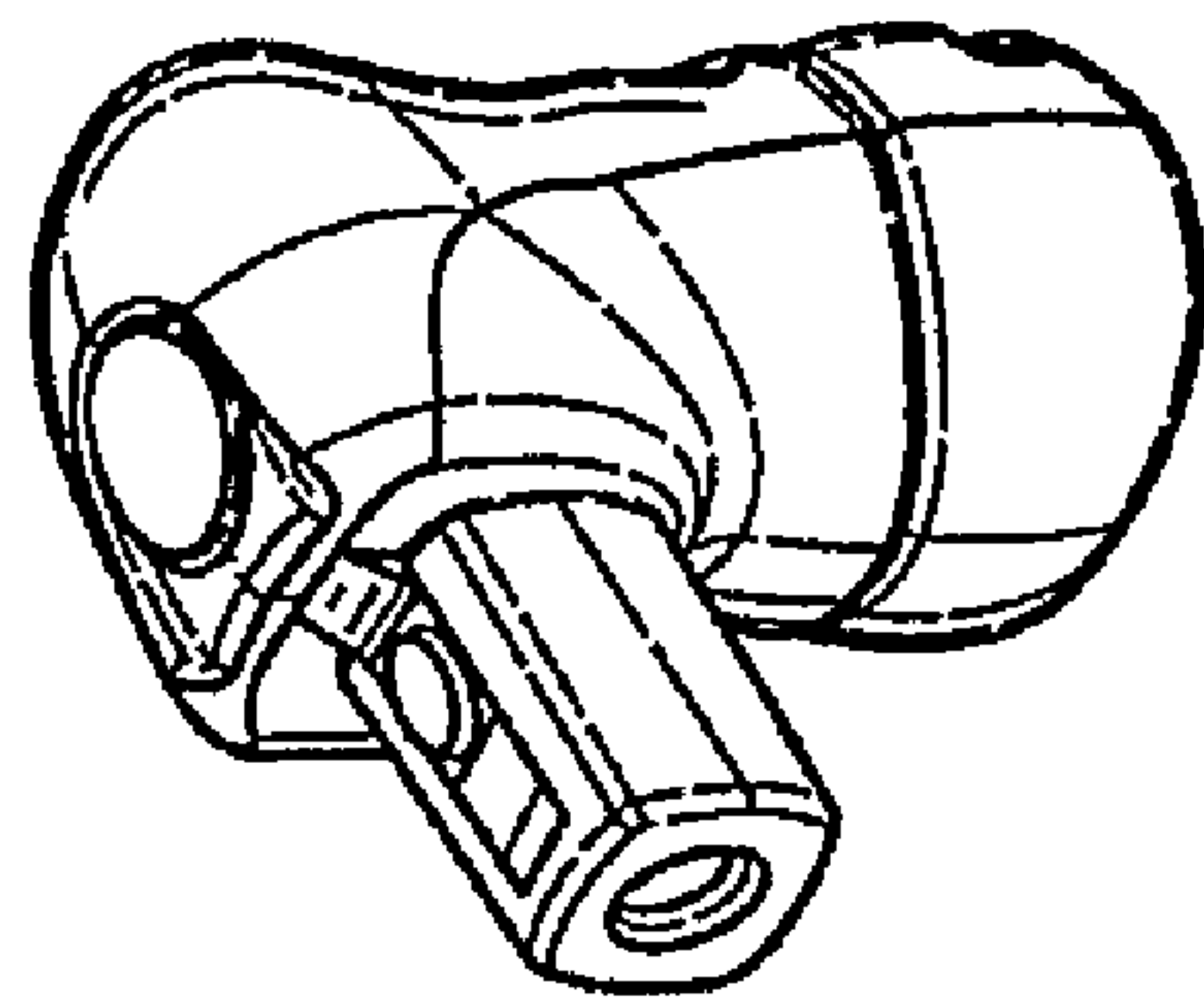


FIG. 1

U.S. Patent

Dec. 12, 2006

Sheet 2 of 2

D533,502 S

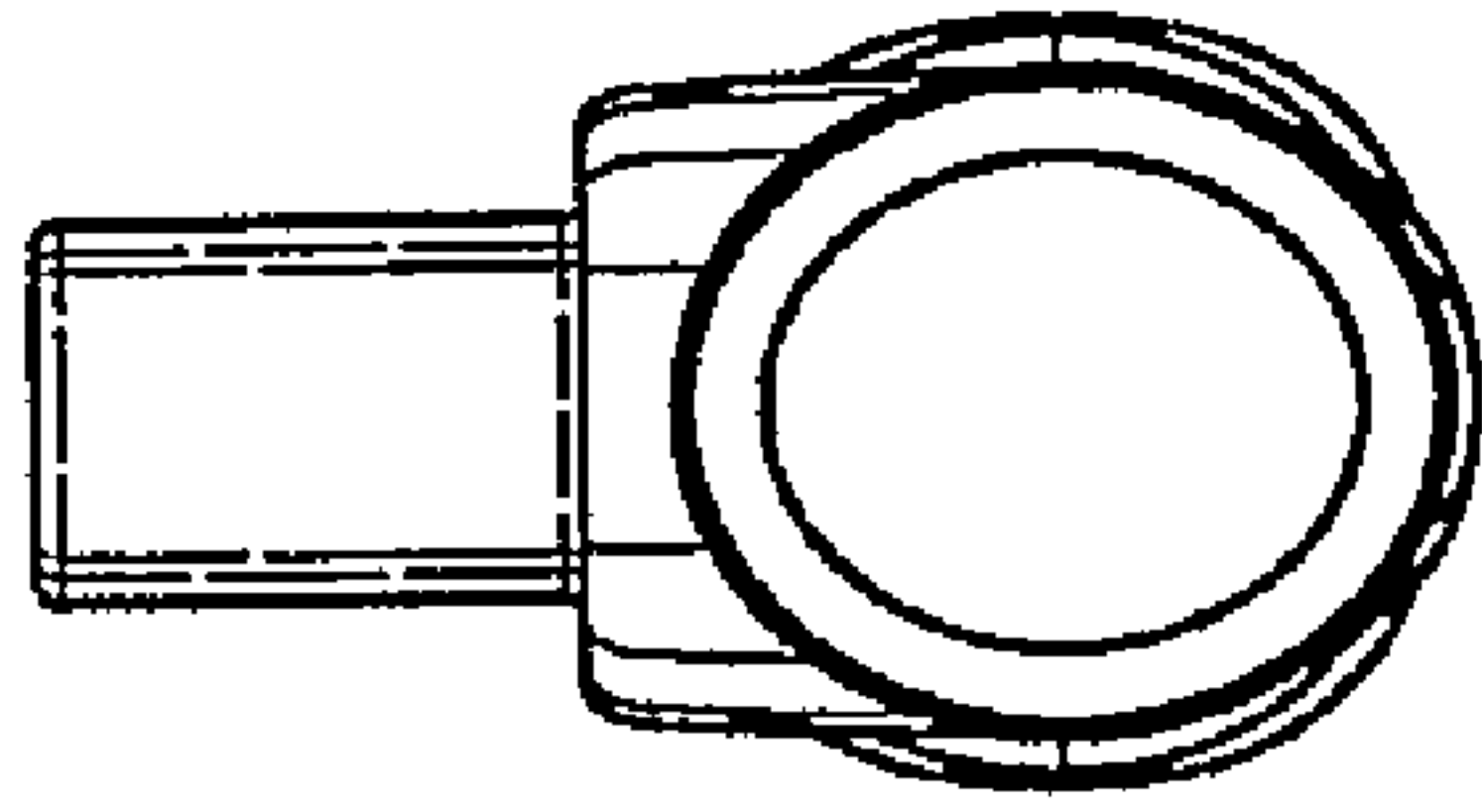


FIG. 7

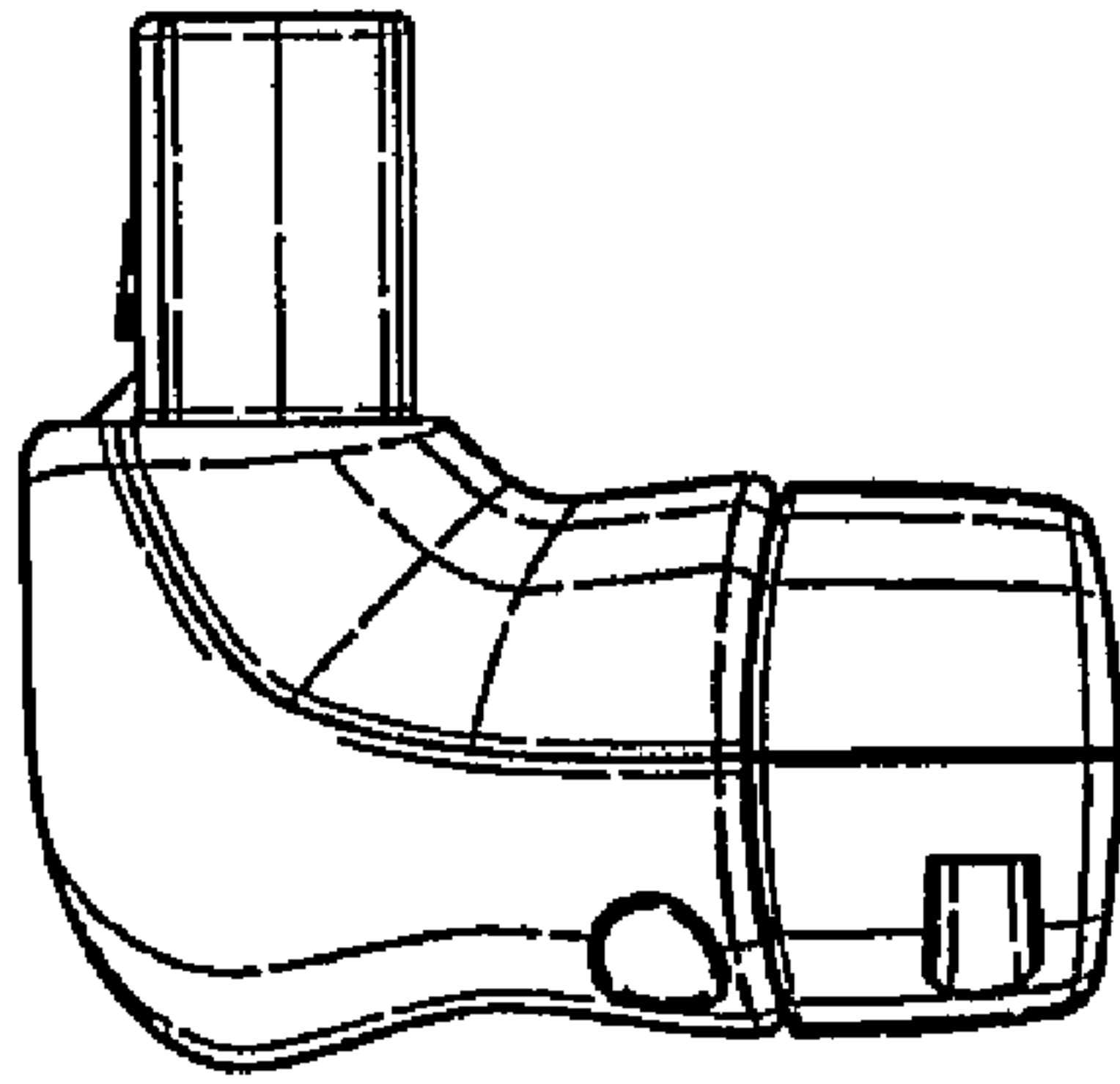


FIG. 6

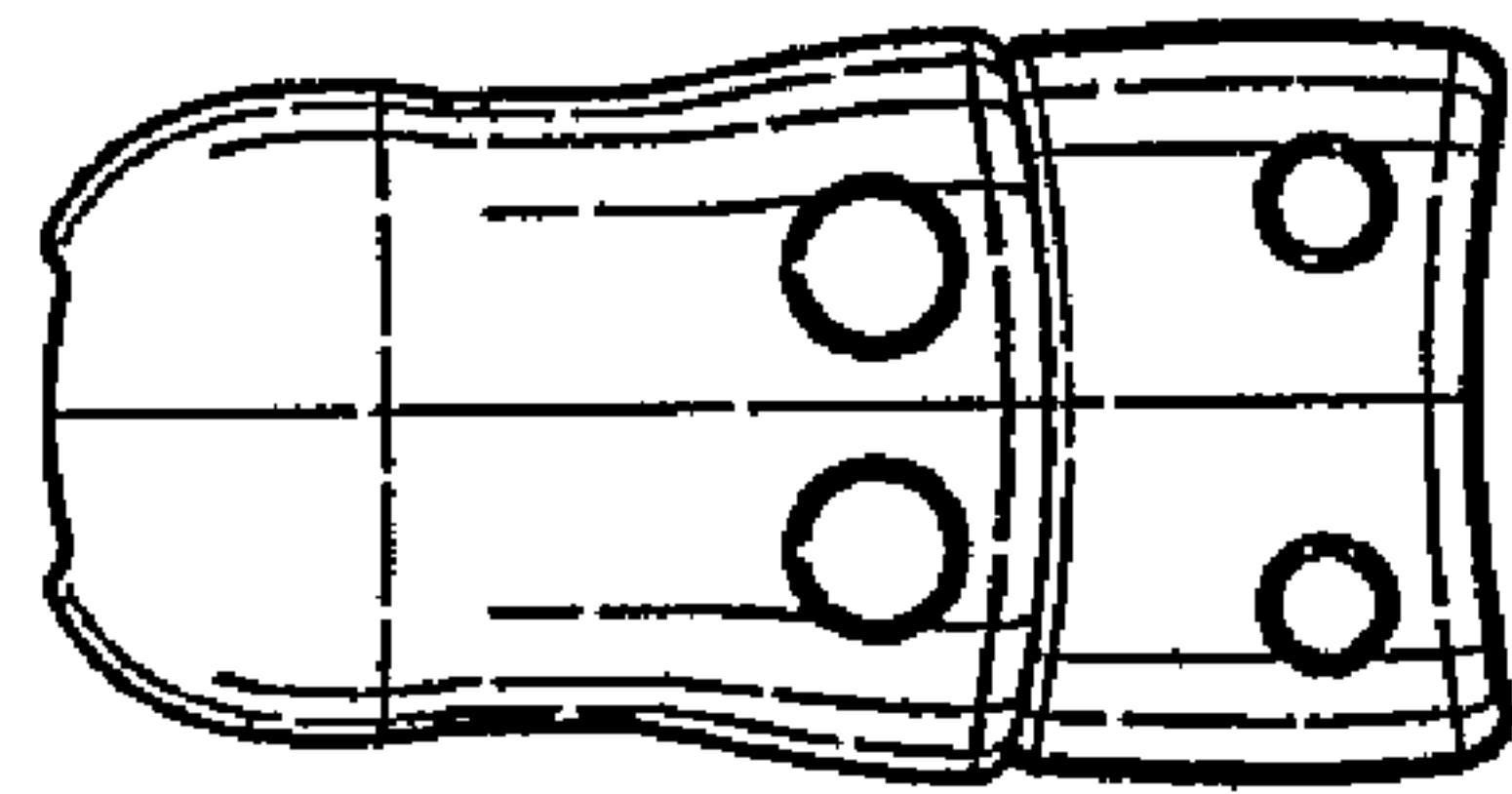


FIG. 5

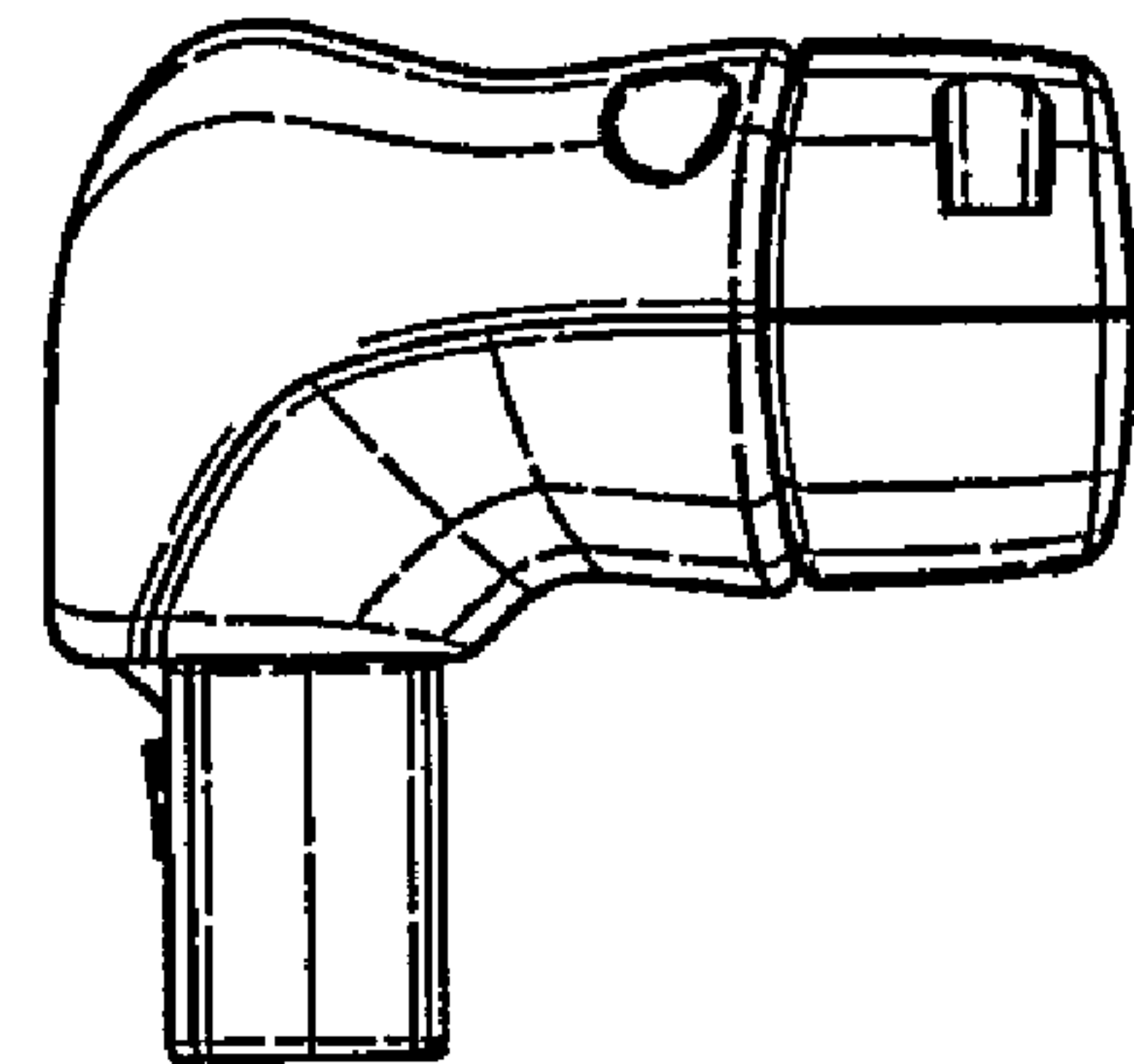


FIG. 4