



US00D533501S

(12) **United States Design Patent** (10) **Patent No.:** **US D533,501 S**  
**Wakefield et al.** (45) **Date of Patent:** **\*\* Dec. 12, 2006**

(54) **DUAL POLE, ANGLED POWER CONNECTOR** 4,762,388 A \* 8/1988 Tanaka et al. .... 385/58  
5,049,176 A 9/1991 Cook et al.  
5,223,013 A 6/1993 Cook et al.  
(75) Inventors: **Scott Wakefield**, Andover, MA (US); 5,267,874 A 12/1993 Koegel et al.  
**William Chura**, Medford, MA (US); 5,267,875 A 12/1993 Koegel et al.  
**Benjamin Hermance**, Worcester, MA (US); **Thomas Eagan**, Chelmsford, MA (US); **Chad Terry**, Lunenburg, MA (US); **John Aho**, Lunenburg, MA (US) 5,458,510 A 10/1995 Nager, Jr. et al.  
5,588,870 A 12/1996 Boteler et al.  
5,591,046 A 1/1997 Klein et al.  
5,774,980 A 7/1998 Klein et al.  
6,045,413 A \* 4/2000 Creux ..... 439/752  
6,071,145 A 6/2000 Toly  
6,123,573 A 9/2000 Savicki, Jr.  
6,193,543 B1 2/2001 Howard et al.  
D472,523 S \* 4/2003 Hansen ..... D13/146  
D495,659 S \* 9/2004 Shimaya et al. .... D13/147  
6,857,890 B1 \* 2/2005 Kammerer et al. .... 439/312  
6,899,572 B1 5/2005 Baker et al.  
6,921,292 B1 \* 7/2005 Miyazaki ..... 439/564

(73) Assignee: **Anderson Power Products**, Sterling, MA (US)

(\*\*) Term: **14 Years**

(21) Appl. No.: **29/213,326**

(22) Filed: **Sep. 16, 2004**

(51) **LOC (8) Cl.** ..... **13-03**

(52) **U.S. Cl.** ..... **D13/133**

(58) **Field of Classification Search** ..... D13/133, D13/146-147, 154, 184, 199; 439/160, 212-213, 439/361, 368-369, 370-372, 607-610  
See application file for complete search history.

(56) **References Cited**

U.S. PATENT DOCUMENTS

3,259,870 A 7/1966 Winkler  
3,605,050 A 9/1971 Goldman et al.  
3,648,219 A 3/1972 Goldman  
3,654,586 A 4/1972 Winkler  
3,676,770 A 7/1972 Sharaf et al.  
3,731,189 A 5/1973 Sharaf et al.  
3,794,957 A 2/1974 Winkler  
3,803,535 A 4/1974 Wilson  
3,808,522 A 4/1974 Sharaf  
3,860,315 A 1/1975 Tetreault et al.  
3,909,099 A 9/1975 Winkler  
4,108,527 A 8/1978 Douty et al.  
4,120,552 A 10/1978 Winkler et al.  
4,180,770 A 12/1979 Eby  
4,237,198 A 12/1980 Eby et al.  
4,248,942 A 2/1981 Eby et al.  
D271,196 S 11/1983 Tetreault  
4,422,706 A 12/1983 Neuhausser

(Continued)

*Primary Examiner*—Stella Reid  
*Assistant Examiner*—Daniel Bui

(74) *Attorney, Agent, or Firm*—Maine & Asmus

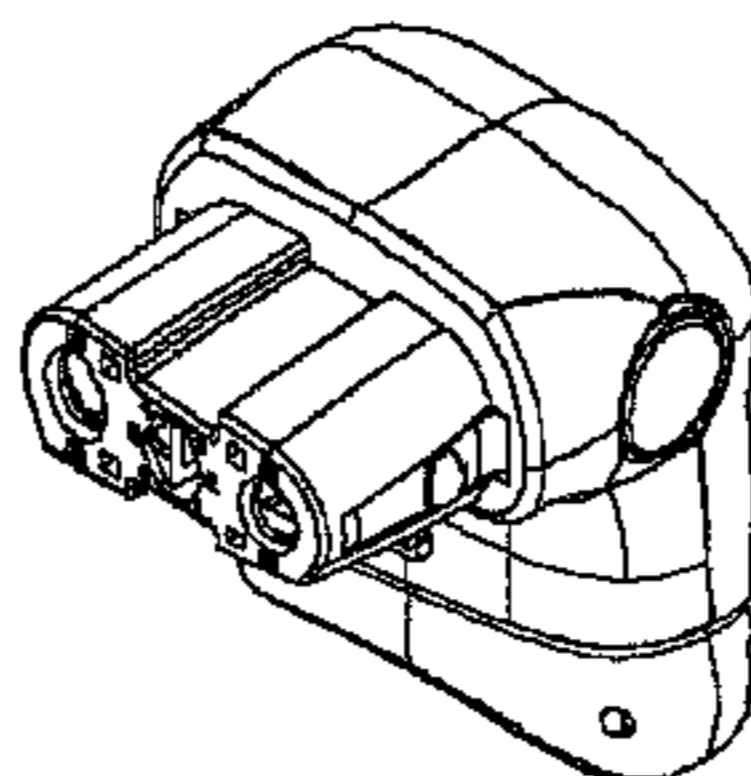
(57) **CLAIM**

The ornamental design of a dual pole, angled power connector, as shown and described.

**DESCRIPTION**

FIG. 1 is a perspective of a dual pole, angled power connector, showing our new design;  
FIG. 2 is a top plan view thereof;  
FIG. 3 is a front elevation view thereof;  
FIG. 4 is a right side elevation view thereof;  
FIG. 5 is a back elevation view thereof;  
FIG. 6 is a left side elevation view thereof; and,  
FIG. 7 is a bottom plan view thereof.  
The designations of the views below as top, bottom, right side, left side, front, and back are for ease of discussion only and are not intended to limit the dual pole, angled power connector to one particular orientation. The dual pole, angled power connector can be oriented in other directions which would alter these designations.

**1 Claim, 2 Drawing Sheets**



# US D533,501 S

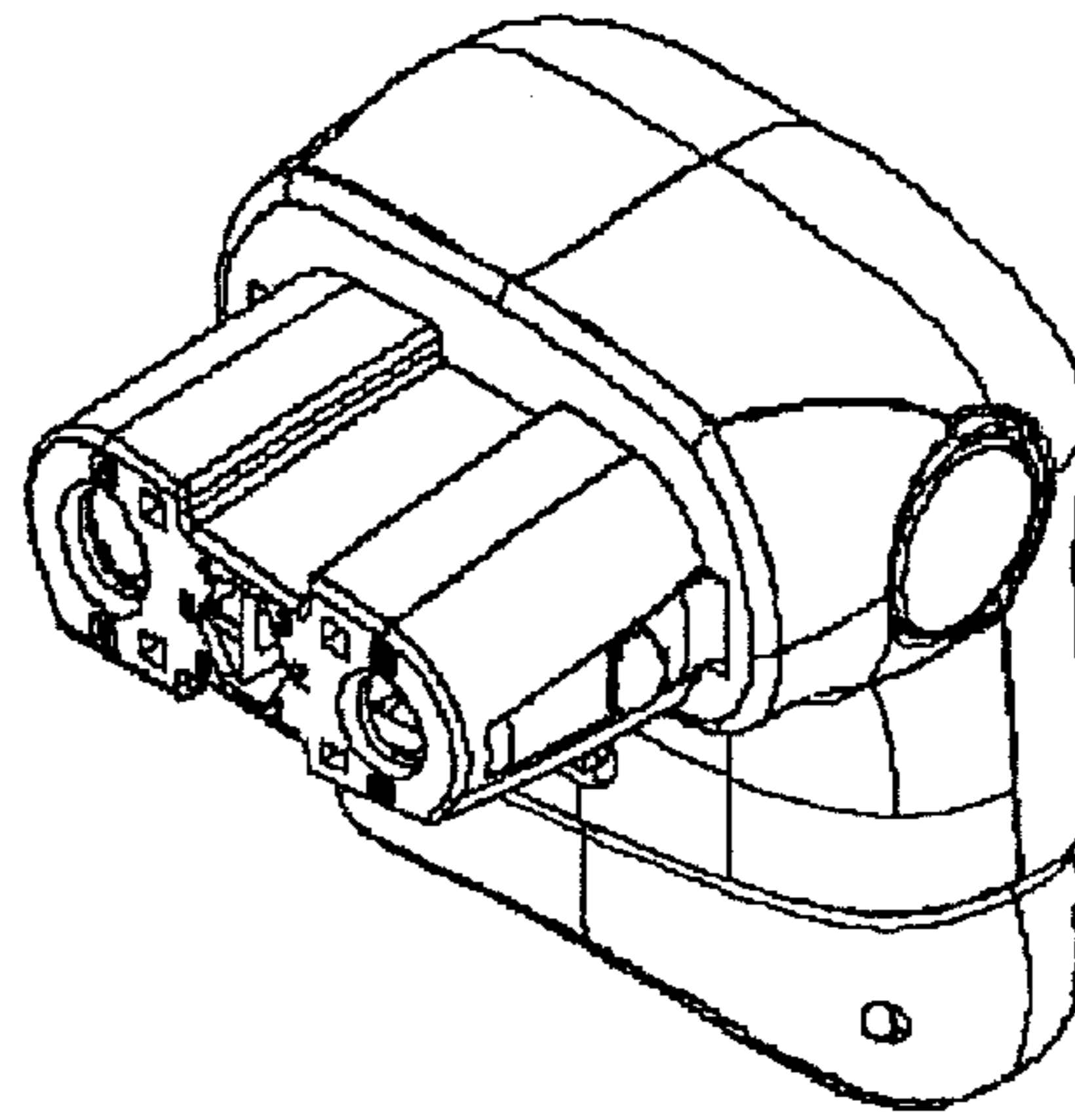
Page 2

---

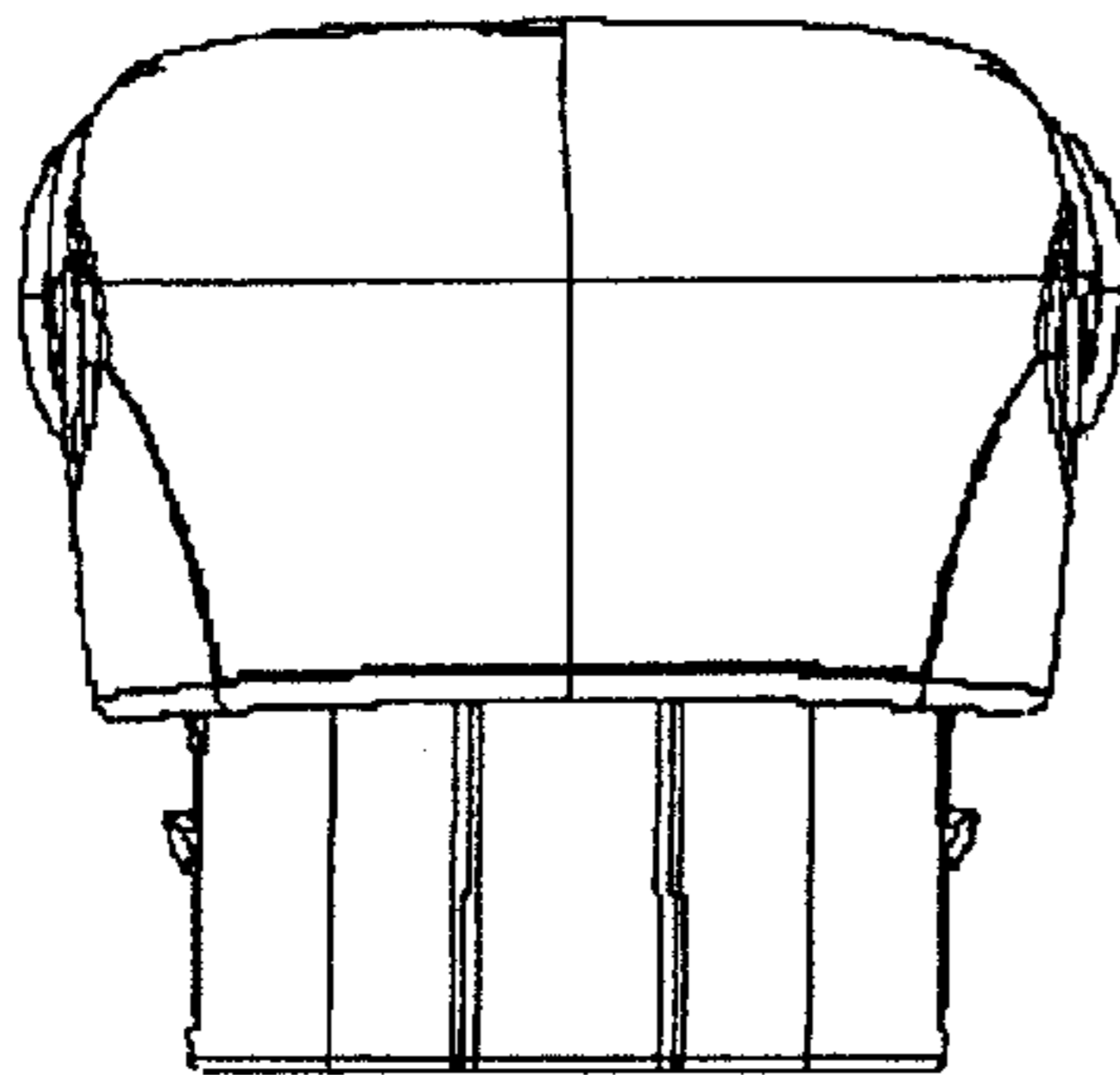
## U.S. PATENT DOCUMENTS

6,923,670 B1	8/2005	Holmes et al.	2004/0171309 A1	9/2004	Baker et al.
6,923,685 B1	8/2005	Holmes et al.	2004/0175981 A1	9/2004	Holmes et al.
6,955,569 B1	10/2005	Baker et al.	2004/0219843 A1	11/2004	Baker et al.
D512,687 S	12/2005	Baker et al.	2004/0224575 A1	11/2004	Baker et al.
2003/0216075 A1	11/2003	Baker et al.	2004/0235320 A1	11/2004	Holmes et al.
2003/0228802 A1	12/2003	Palagi et al.	2005/0032436 A1	2/2005	Mancini et al.
2004/0077205 A1	4/2004	Holmes et al.	2005/0119366 A1	6/2005	Moy et al.

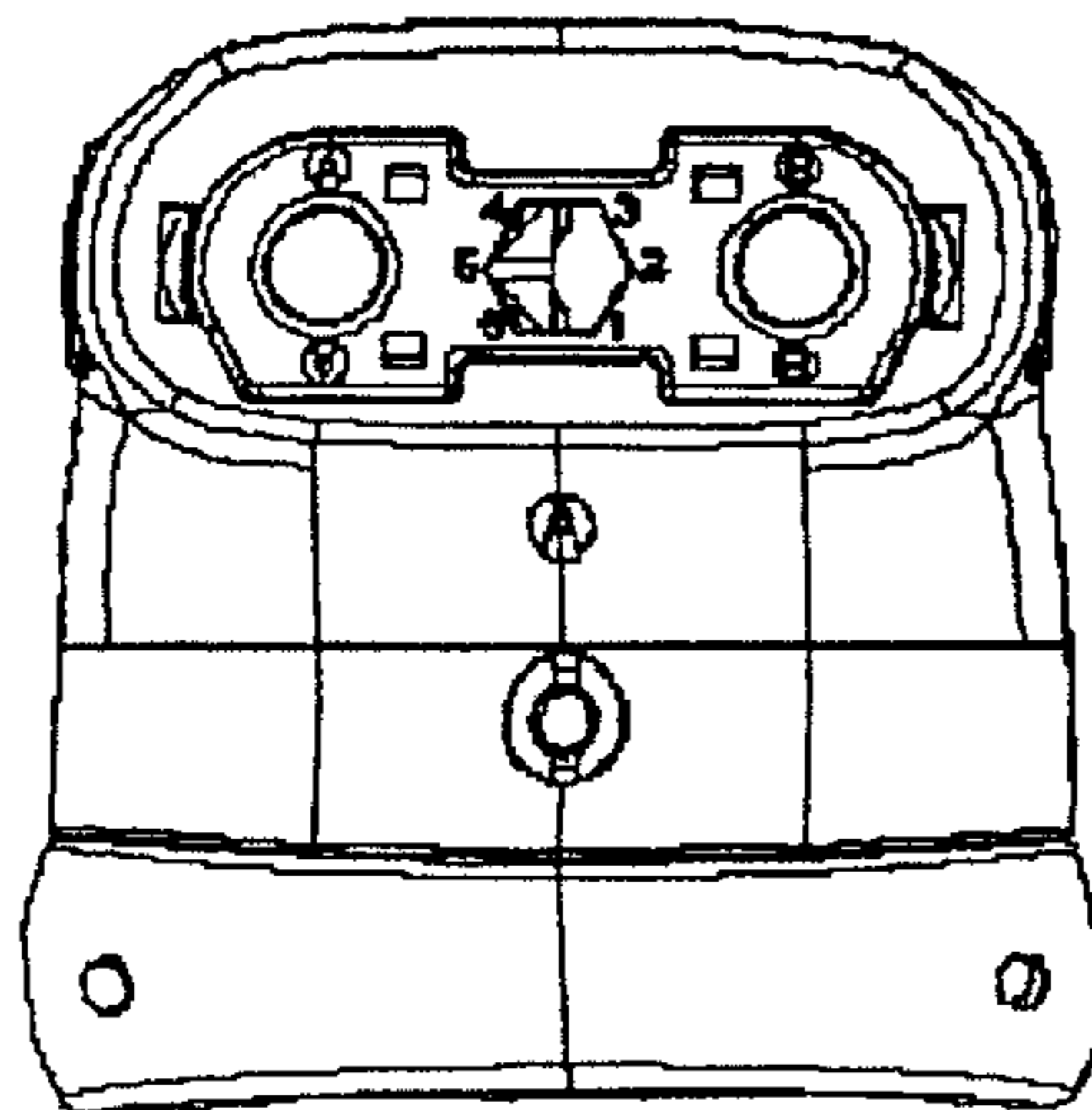
\* cited by examiner



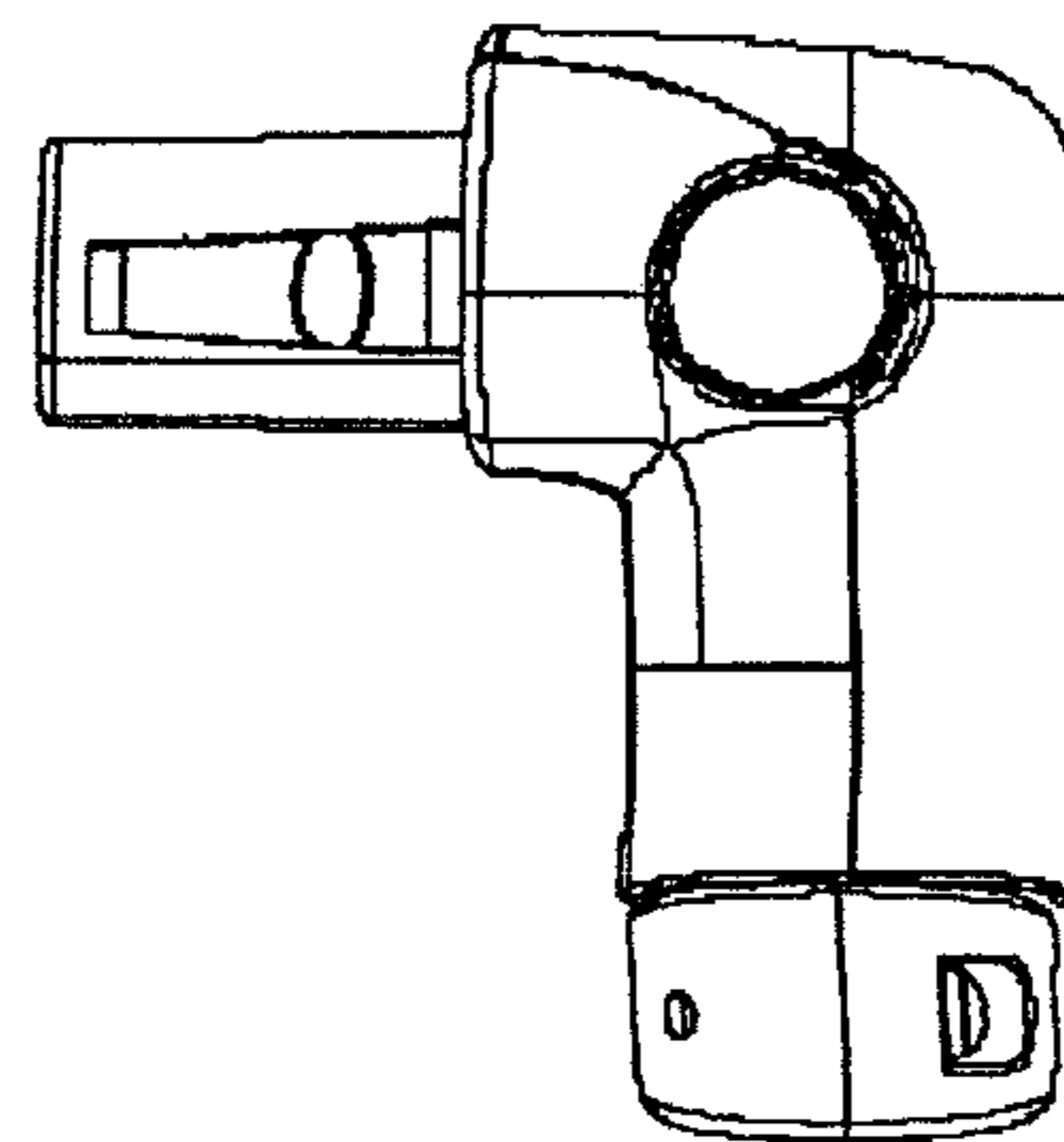
**FIG. 1**



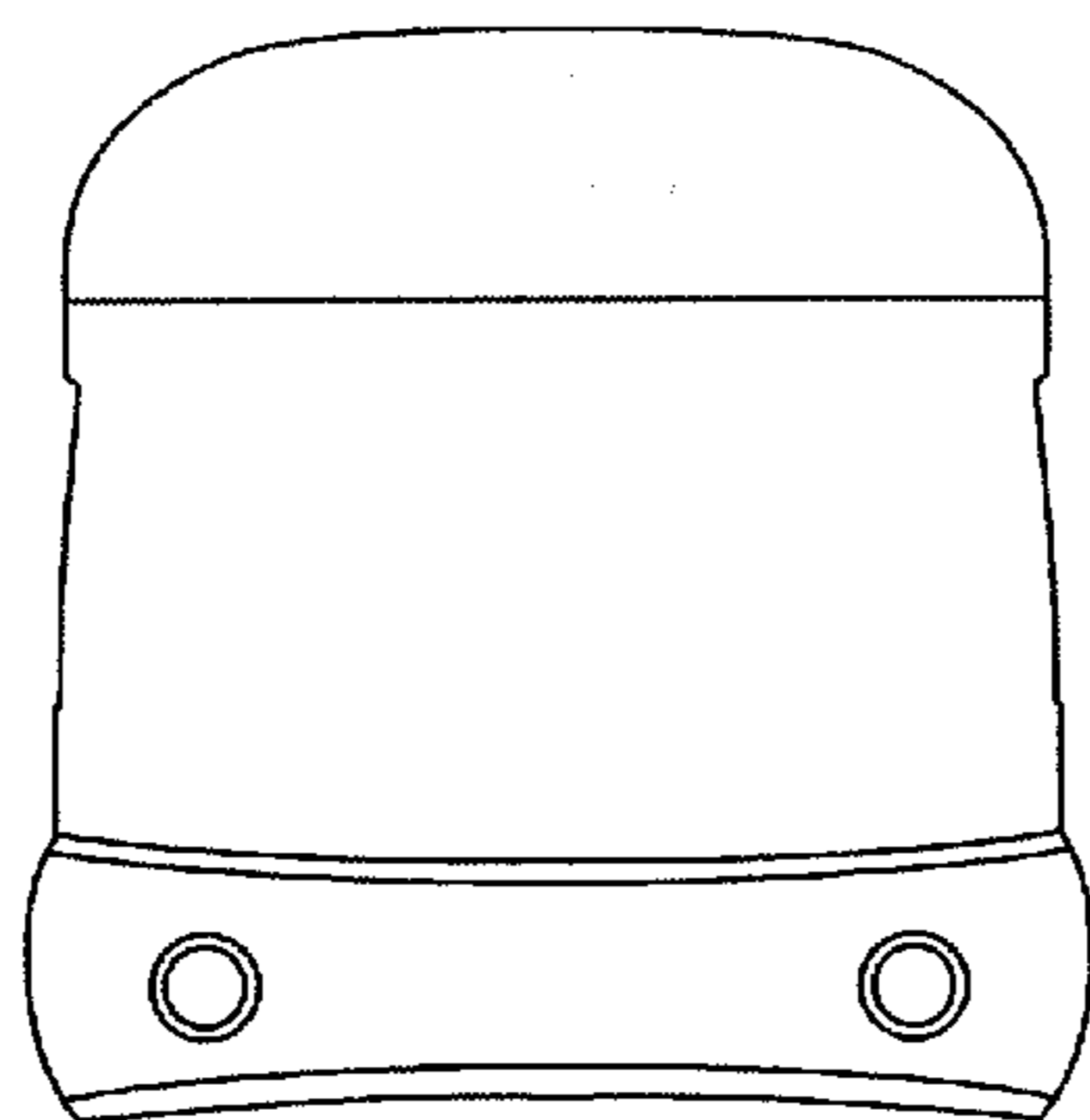
**FIG. 2**



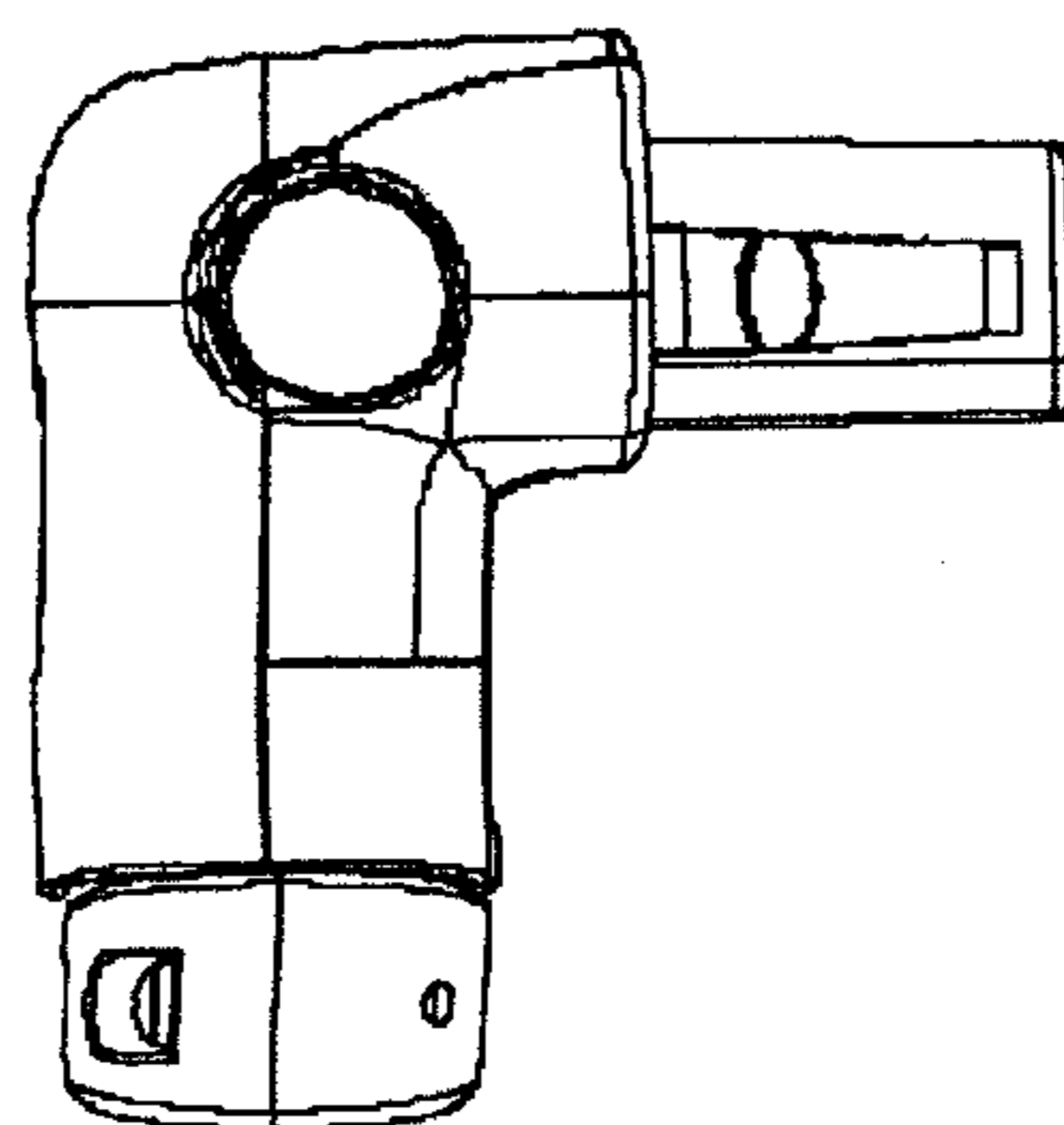
**FIG. 3**



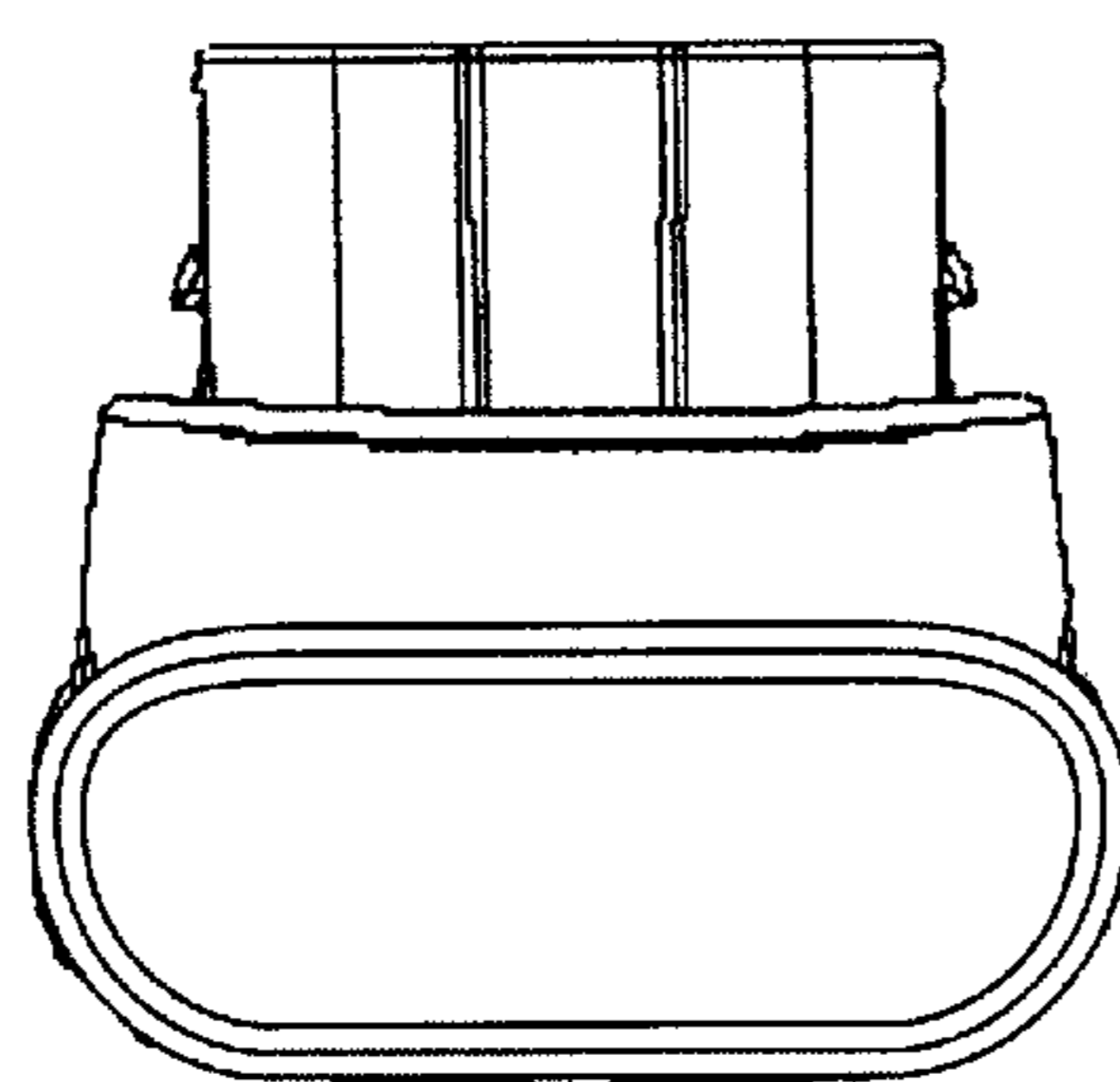
**FIG. 4**



**FIG. 5**



**FIG. 6**



**FIG. 7**

UNITED STATES PATENT AND TRADEMARK OFFICE  
**CERTIFICATE OF CORRECTION**

PATENT NO. : Des. 533,501 S  
APPLICATION NO. : 29/213326  
DATED : December 12, 2006  
INVENTOR(S) : Scott Wakefield et al.

Page 1 of 3

It is certified that error appears in the above-identified patent and that said Letters Patent is hereby corrected as shown below:

In The Drawings

Delete figures 1-7, insert following drawing sheets

Signed and Sealed this

Fourteenth Day of August, 2007

A handwritten signature in black ink on a light gray dotted background. The signature reads "Jon W. Dudas" in a cursive style.

JON W. DUDAS

*Director of the United States Patent and Trademark Office*

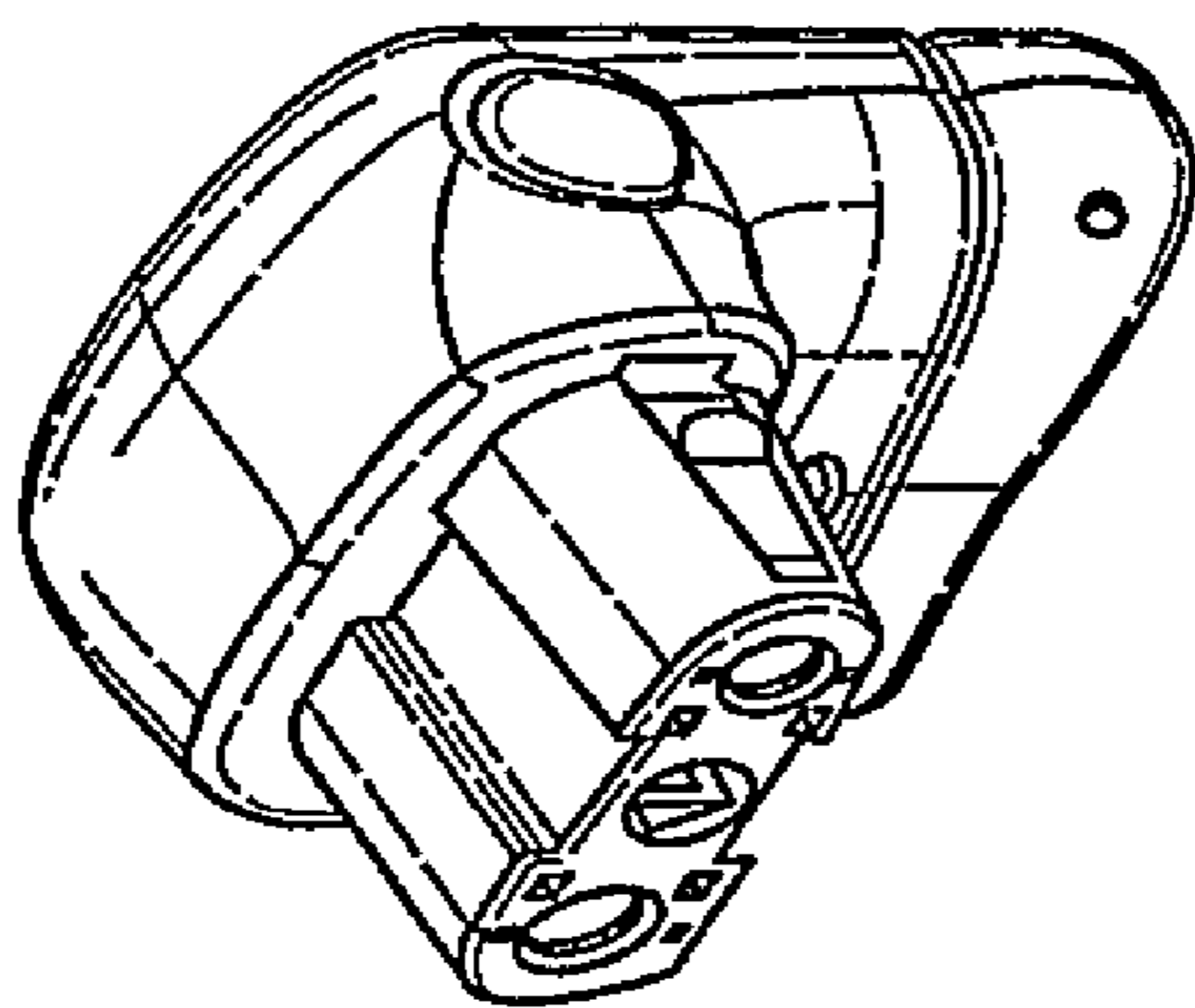


FIG. 1

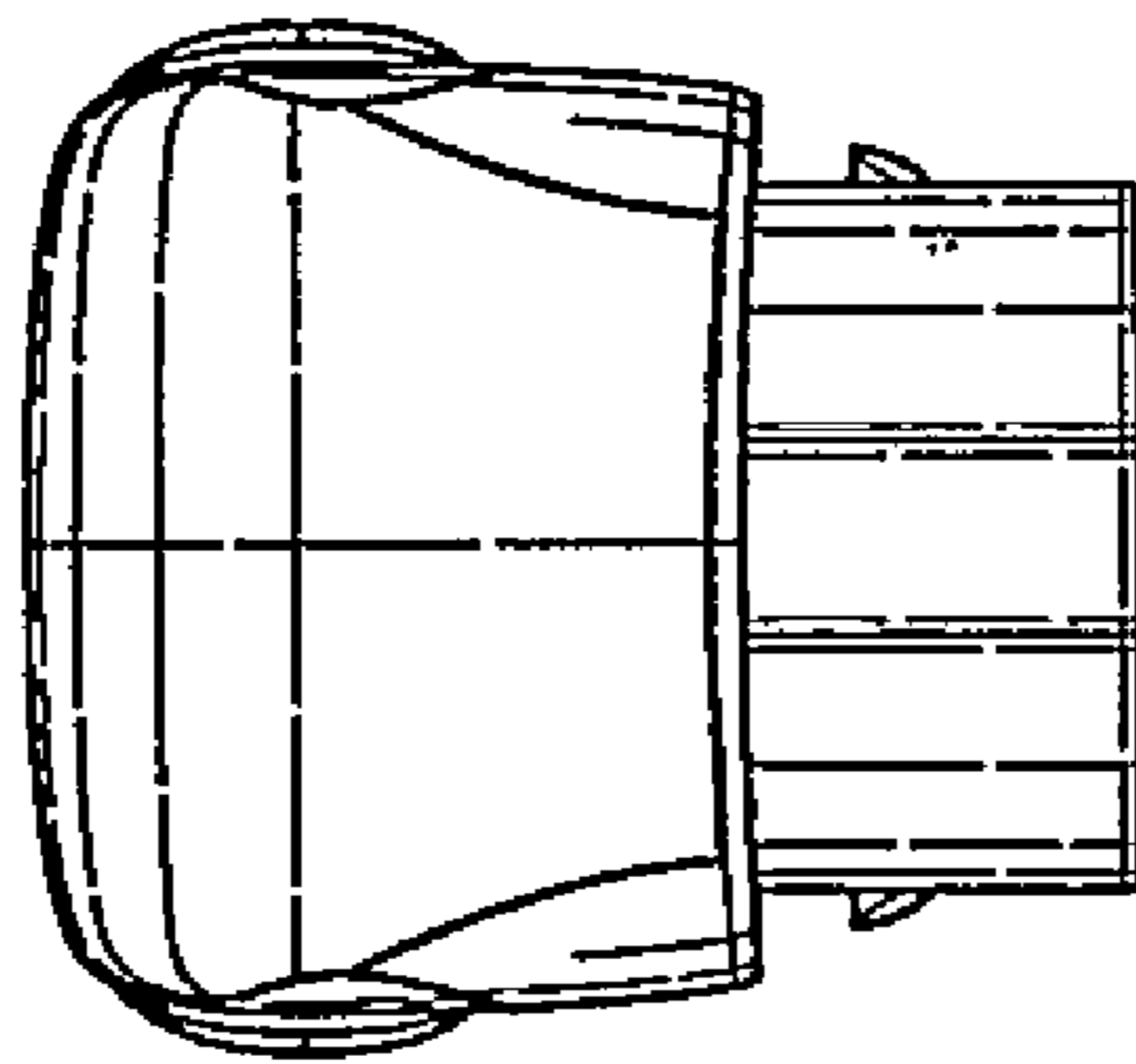


FIG. 2

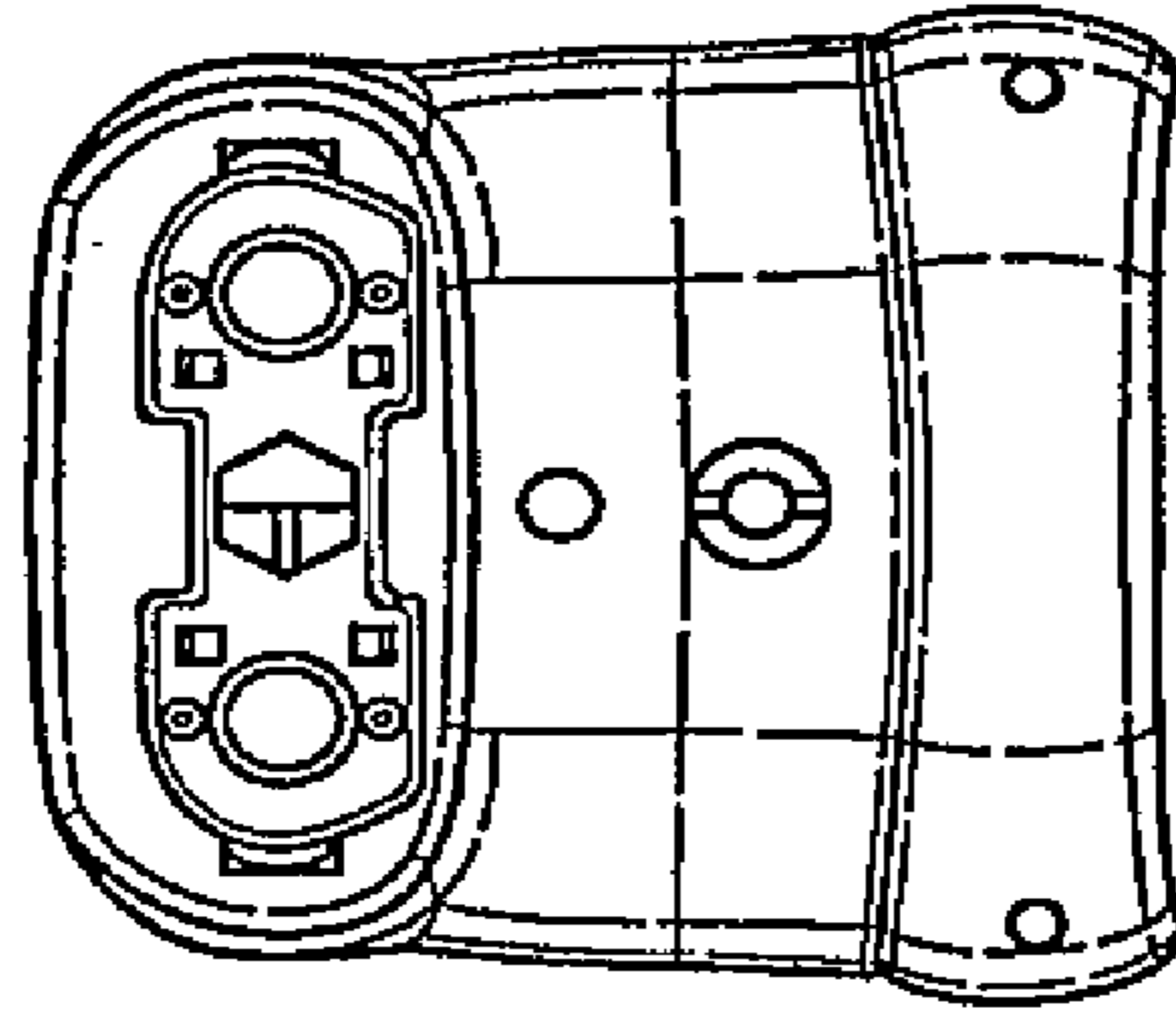


FIG. 3



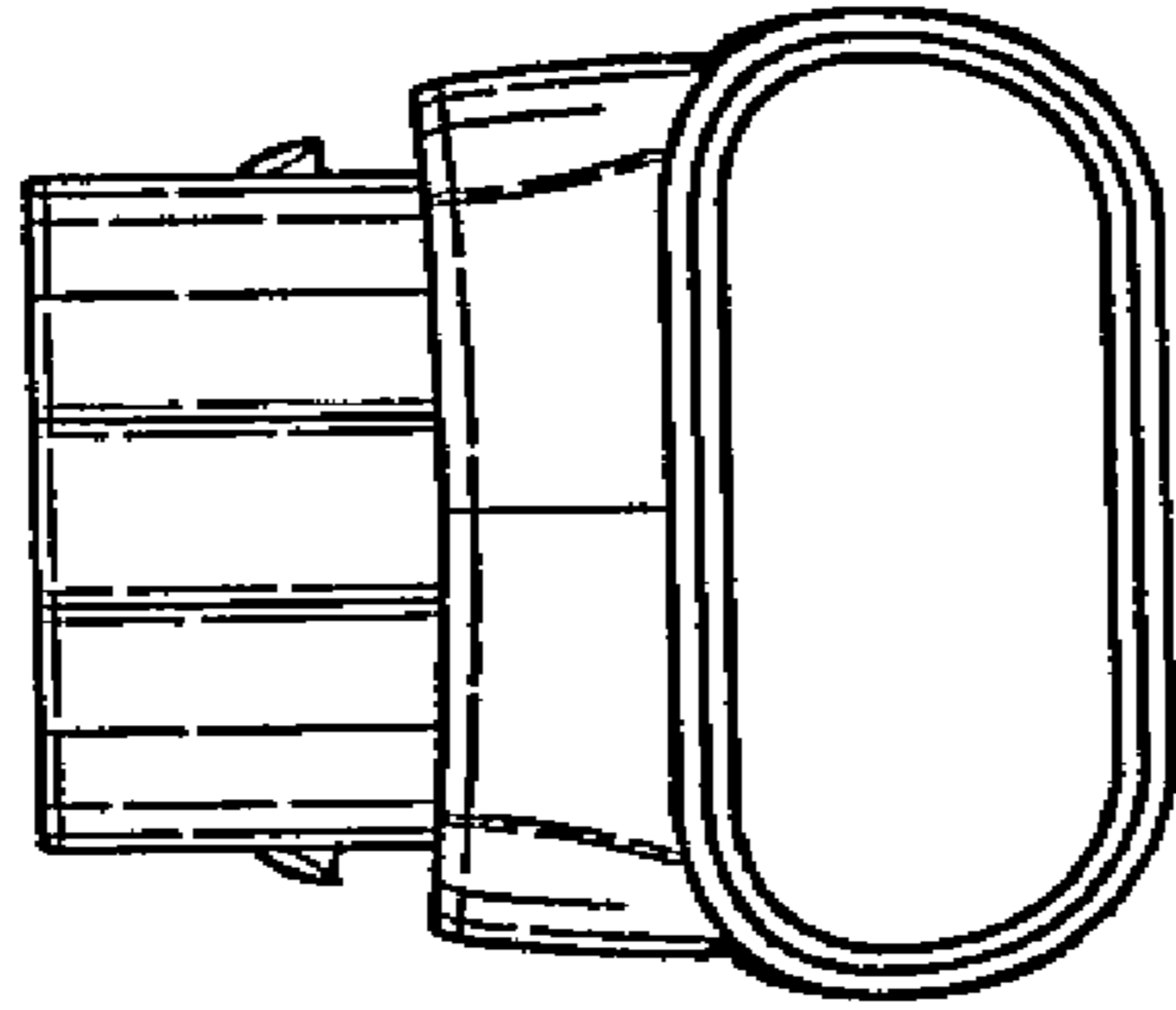


FIG. 7

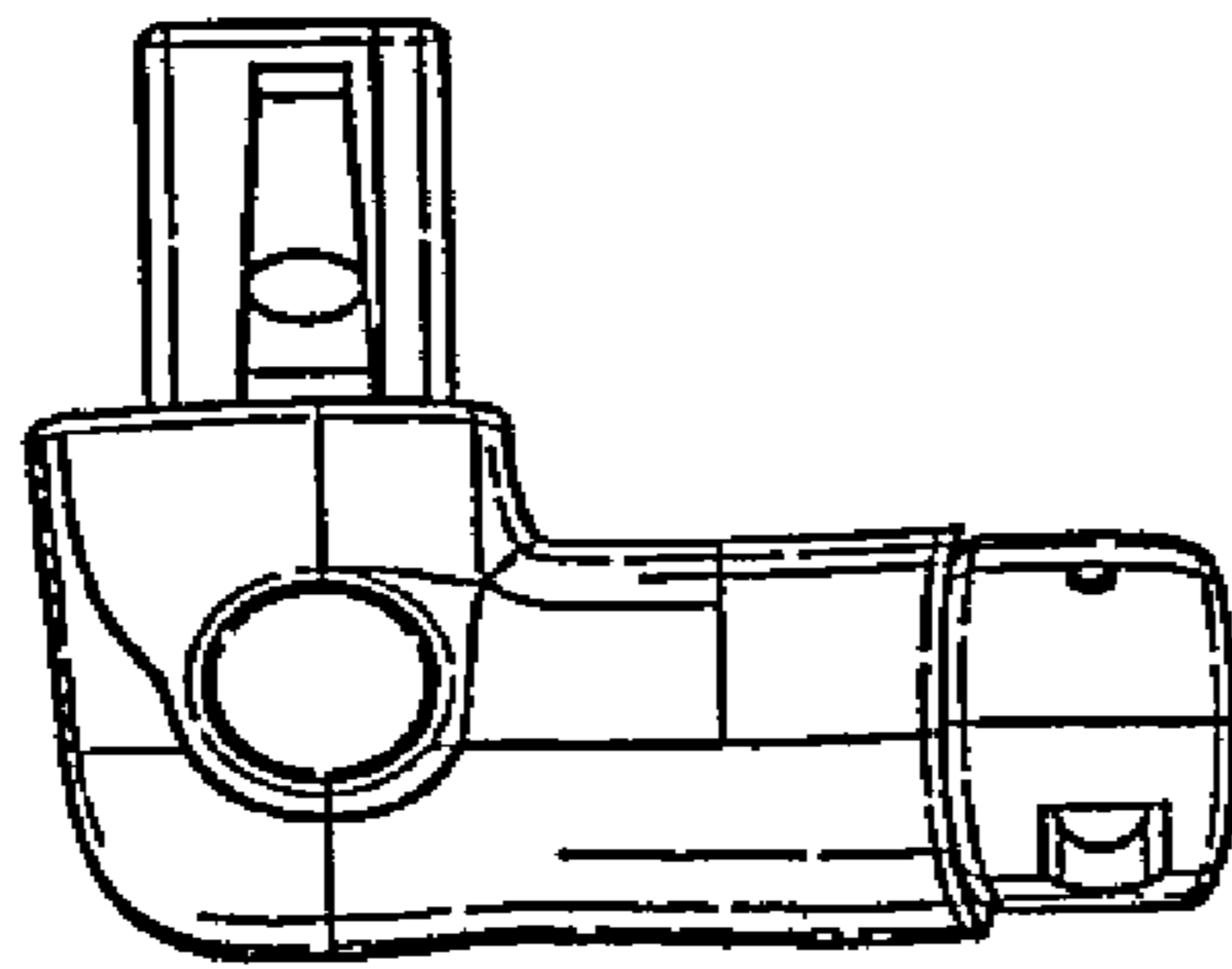


FIG. 6

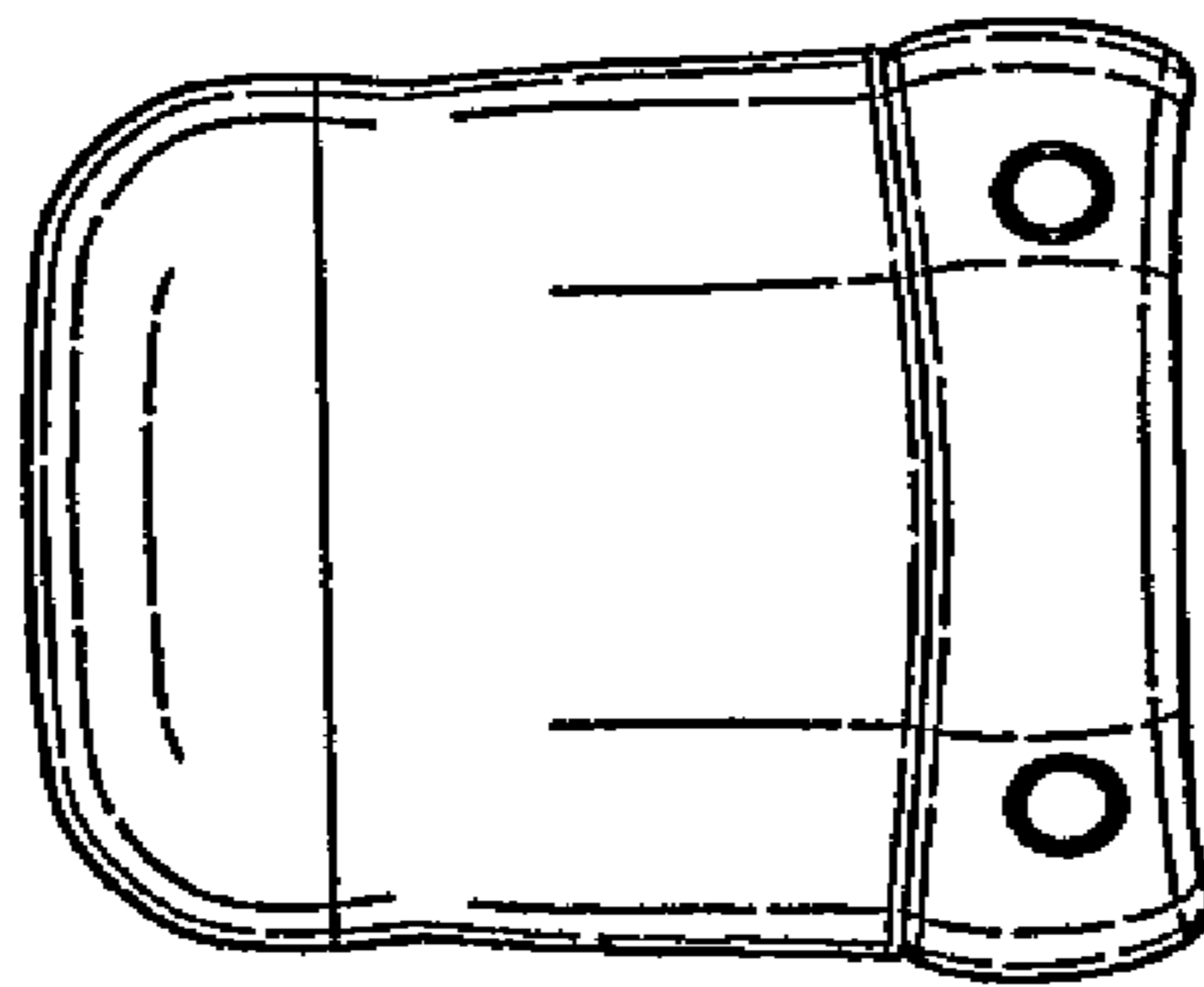


FIG. 5

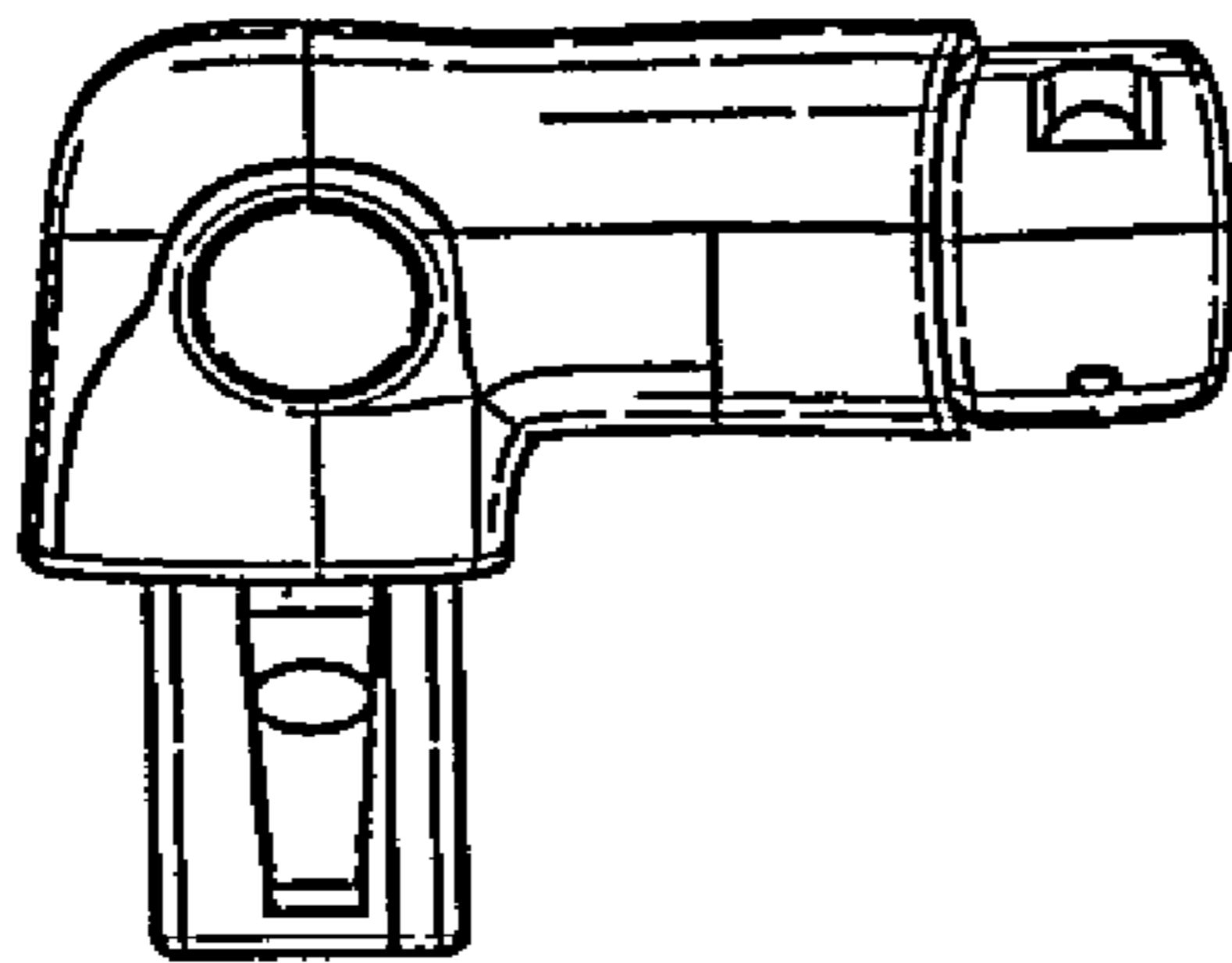


FIG. 4