



US00D533499S

(12) **United States Design Patent**
Suzuki

(10) **Patent No.:** **US D533,499 S**

(45) **Date of Patent:** **** Dec. 12, 2006**

(54) **BATTERY CHARGER FOR A CELLULAR PHONE**

(75) Inventor: **Takeshi Suzuki**, Tokyo (JP)

(73) Assignee: **Kabushiki Kaisha Toshiba** (JP)

(**) Term: **14 Years**

(21) Appl. No.: **29/235,788**

(22) Filed: **Aug. 8, 2005**

(30) **Foreign Application Priority Data**

May 25, 2005 (JP) 2005-015015

(51) **LOC (8) Cl.** **13-02**

(52) **U.S. Cl.** **D13/108**

(58) **Field of Classification Search** D13/107-110,
D13/118-119, 184; D14/251, 253, 432, 434;
320/107-115

See application file for complete search history.

(56) **References Cited**

U.S. PATENT DOCUMENTS

D345,728 S	*	4/1994	Tyneski et al.	D13/108
D349,097 S		7/1994	Watanabe		
D417,431 S	*	12/1999	Okura et al.	D13/108
D422,556 S	*	4/2000	Okura et al.	D13/107
D433,991 S		11/2000	Buchin et al.		
D434,372 S		11/2000	Buchin et al.		
D460,971 S	*	7/2002	Sica et al.	D14/434
D463,361 S	*	9/2002	Ruohonen	D13/108
D466,700 S	*	12/2002	Richmond et al.	D4/199
6,534,953 B1	*	3/2003	Shirakawa	320/114
D477,823 S	*	7/2003	Lavello, Sr.	D14/253
D501,205 S	*	1/2005	Quinn	D14/253

D509,790 S	*	9/2005	Sakai	D13/108
D511,745 S	*	11/2005	Lamason et al.	D13/108
D516,023 S	*	2/2006	Quinn	D13/108
D516,025 S	*	2/2006	Quinn	D13/108

FOREIGN PATENT DOCUMENTS

JP	930626	7/1995
JP	965084	10/1996
JP	1038193	5/1999
JP	1057029	12/1999
JP	1221772	11/2004

* cited by examiner

Primary Examiner—M. H. Tung

Assistant Examiner—Rosemary K. Tarcza

(57) **CLAIM**

The ornamental design for a battery charger for a cellular phone, as shown and described.

DESCRIPTION

FIG. 1 is a front, top and right side perspective view of a battery charger for a cellular phone, showing my new design;

FIG. 2 is a front elevational view thereof;

FIG. 3 is a rear elevational view thereof;

FIG. 4 is a top plan view thereof;

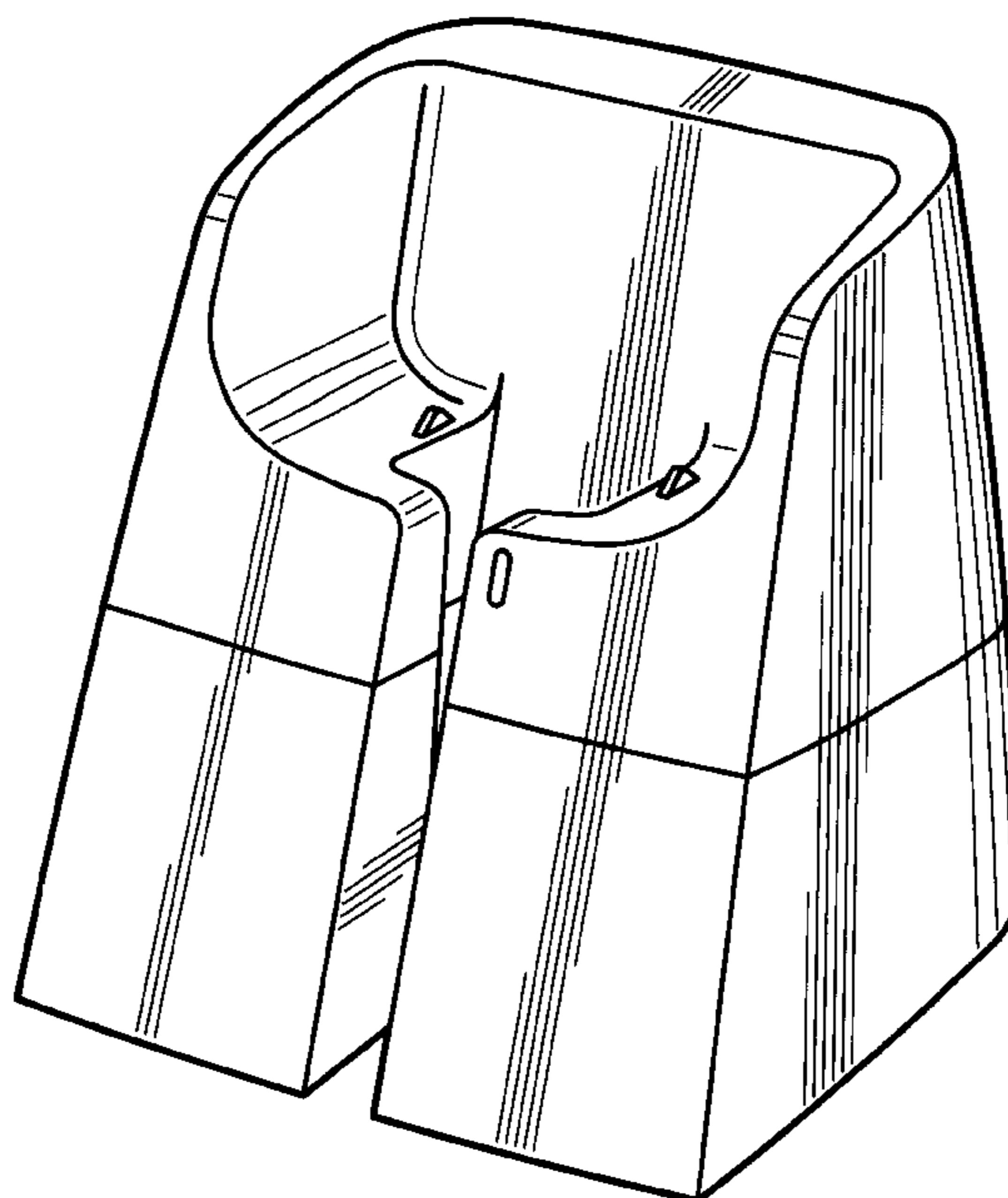
FIG. 5 is a bottom plan view thereof;

FIG. 6 is a right side elevational view thereof;

FIG. 7 is a left side elevational view thereof; and,

FIG. 8 is a right side elevational view thereof showing the state in which the upper case and the lower case are separated.

1 Claim, 5 Drawing Sheets



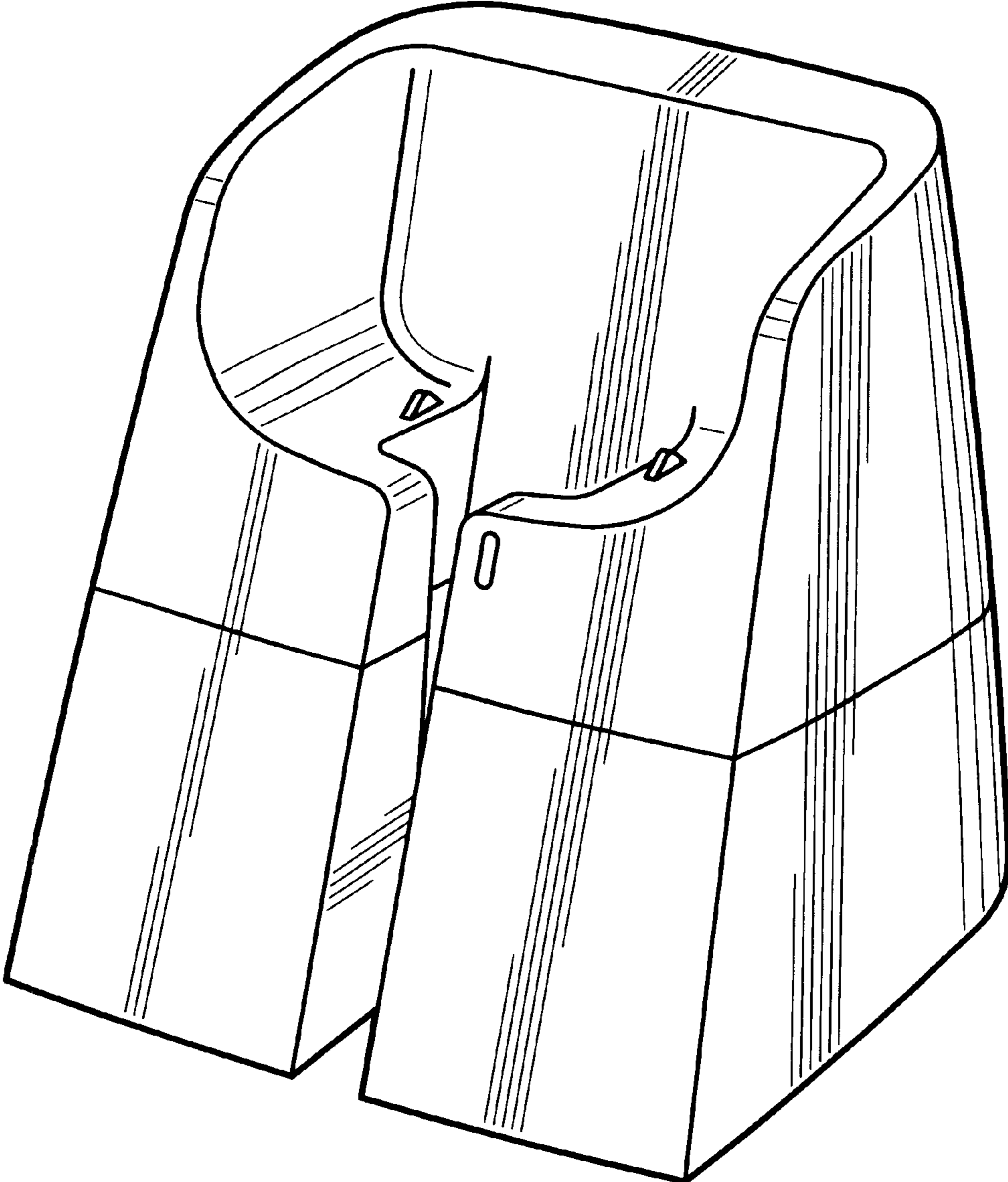


FIG.1

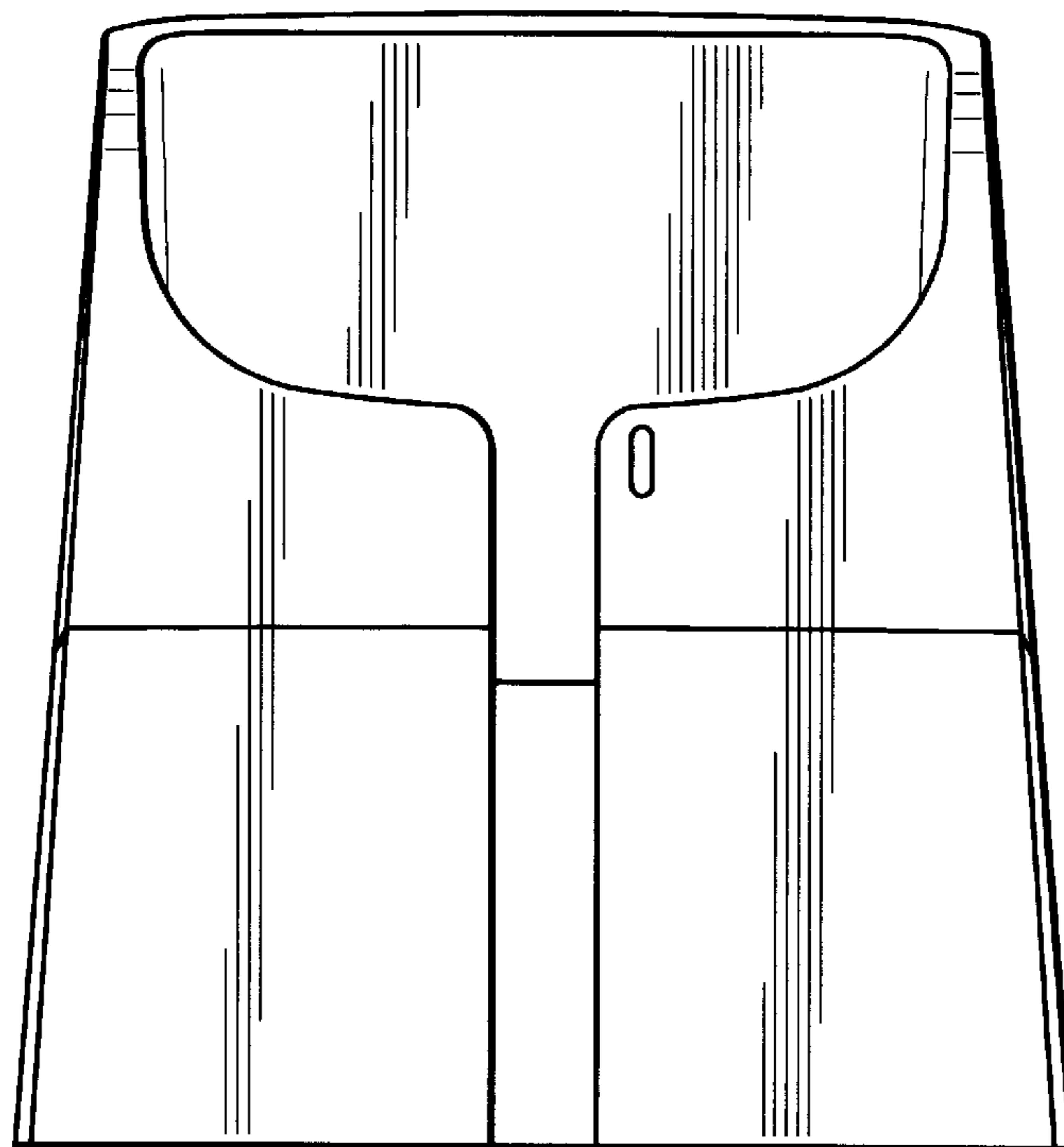


FIG. 2

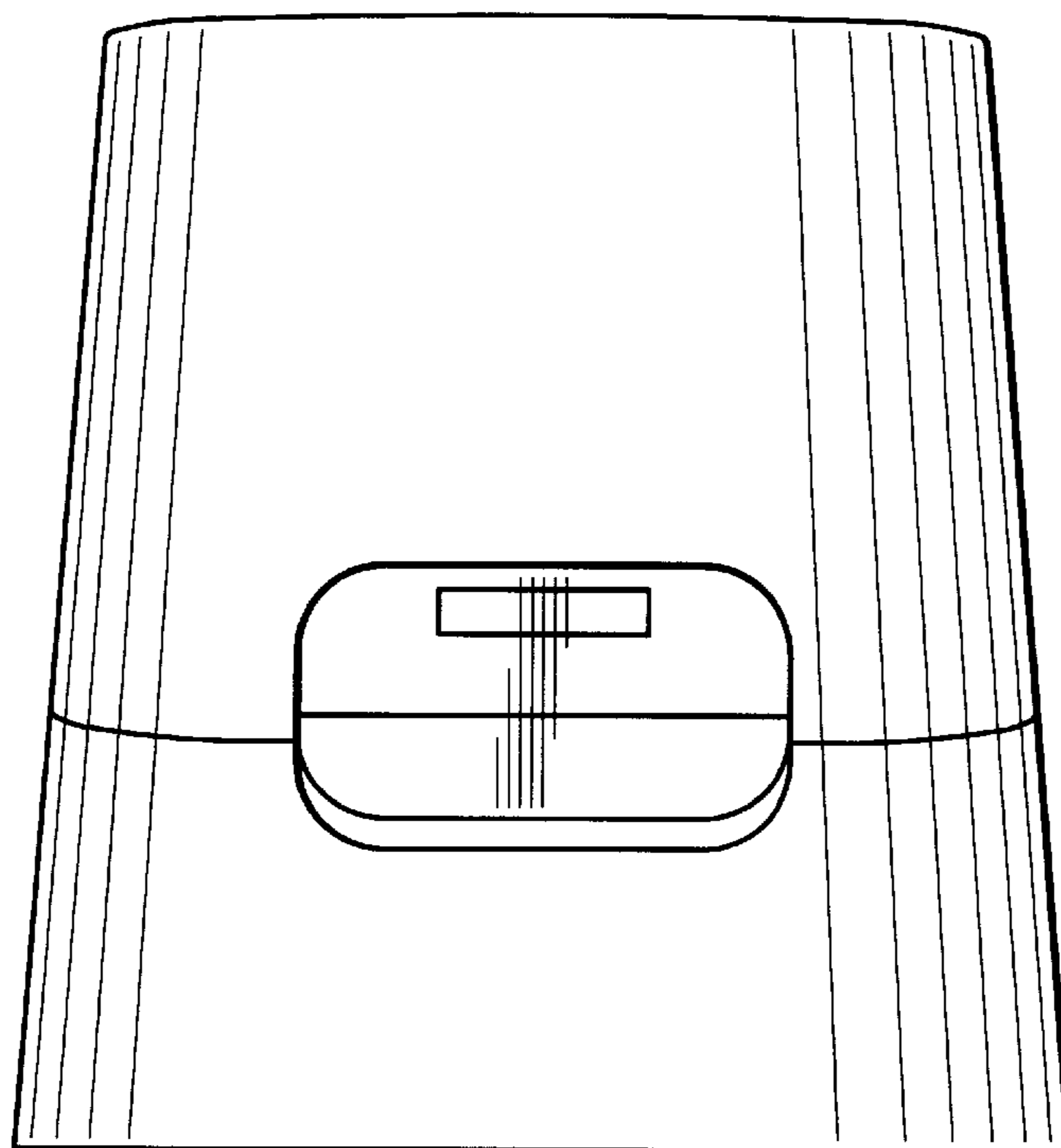


FIG. 3

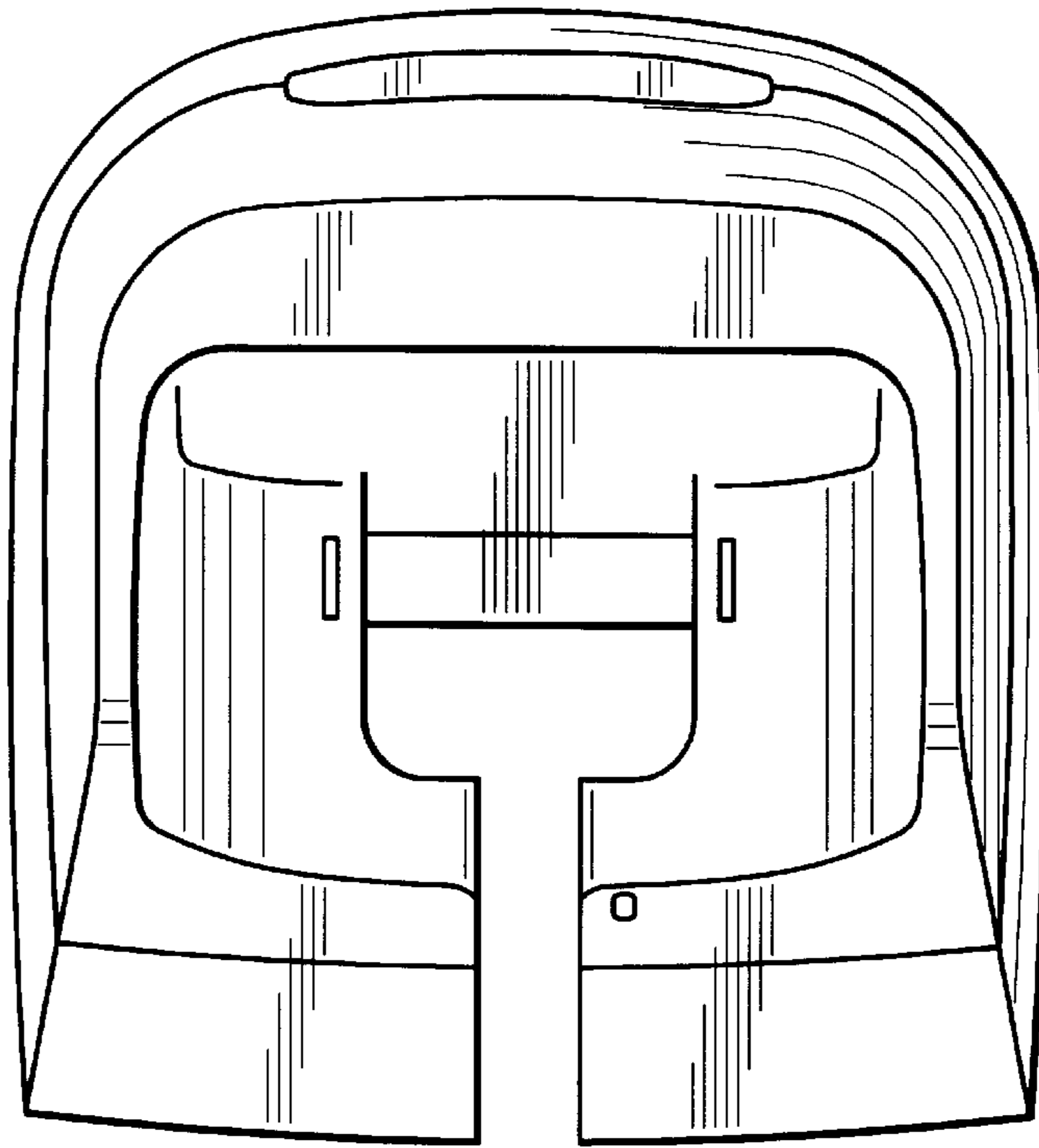


FIG. 4

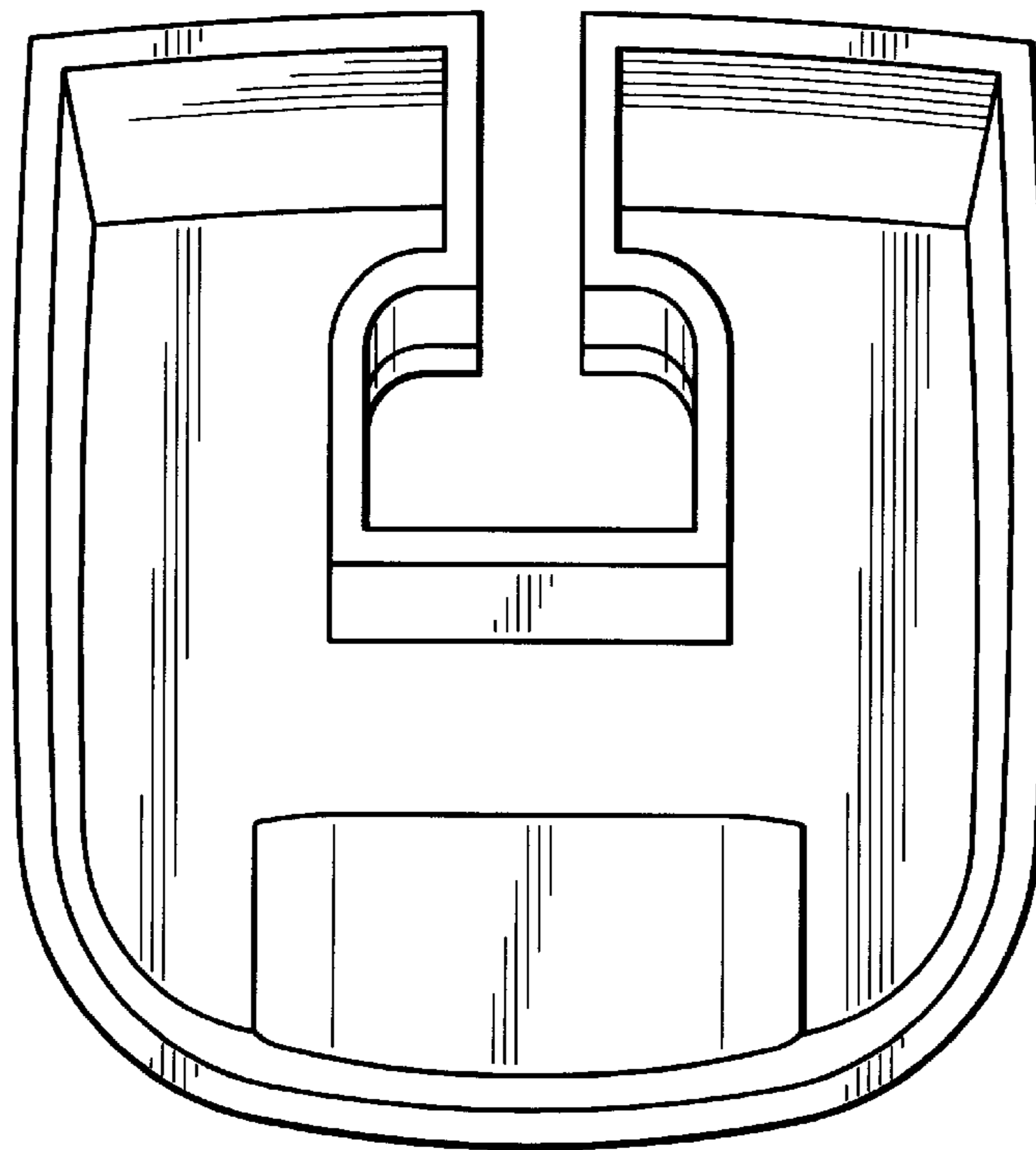


FIG. 5

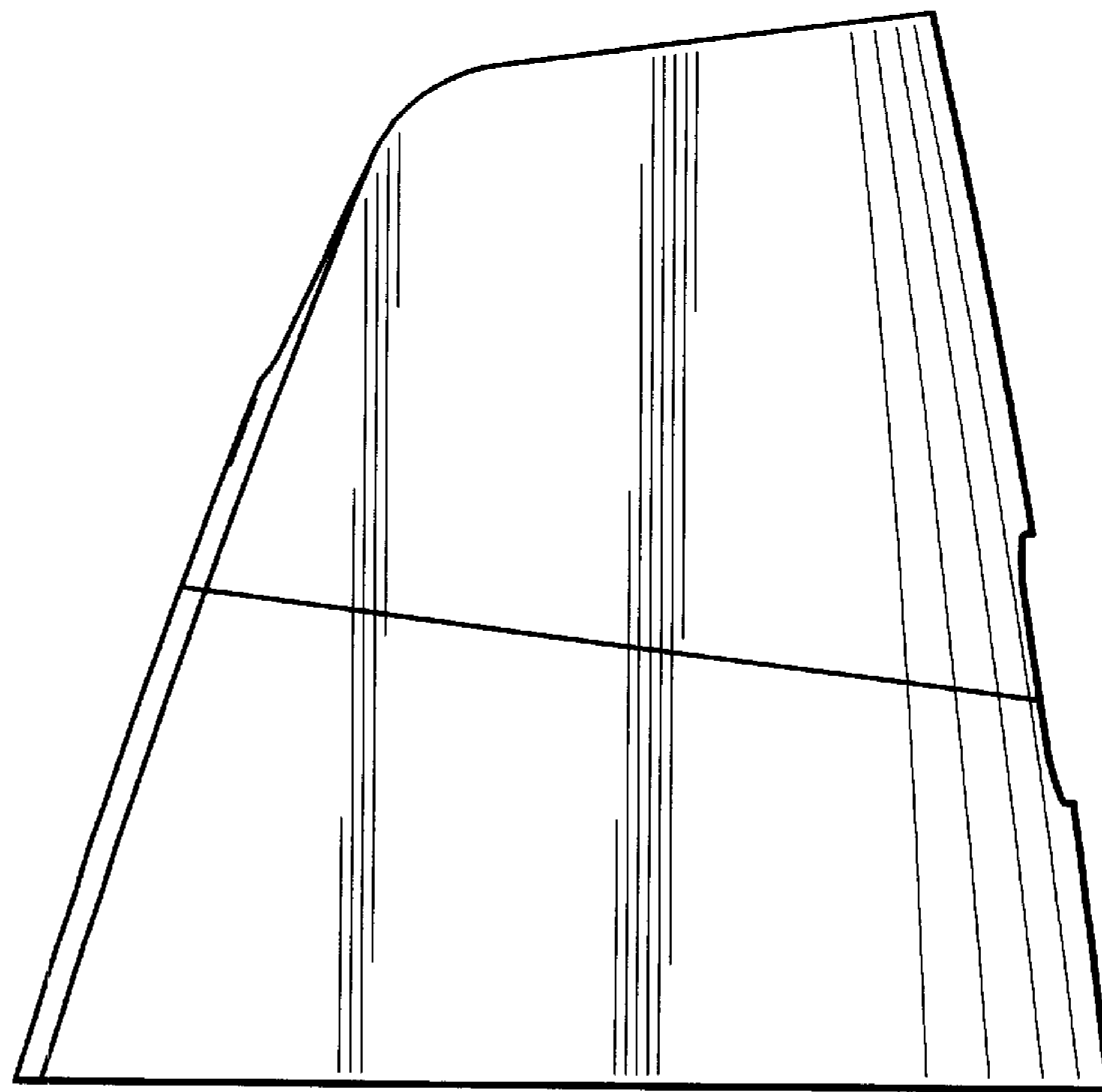


FIG. 6

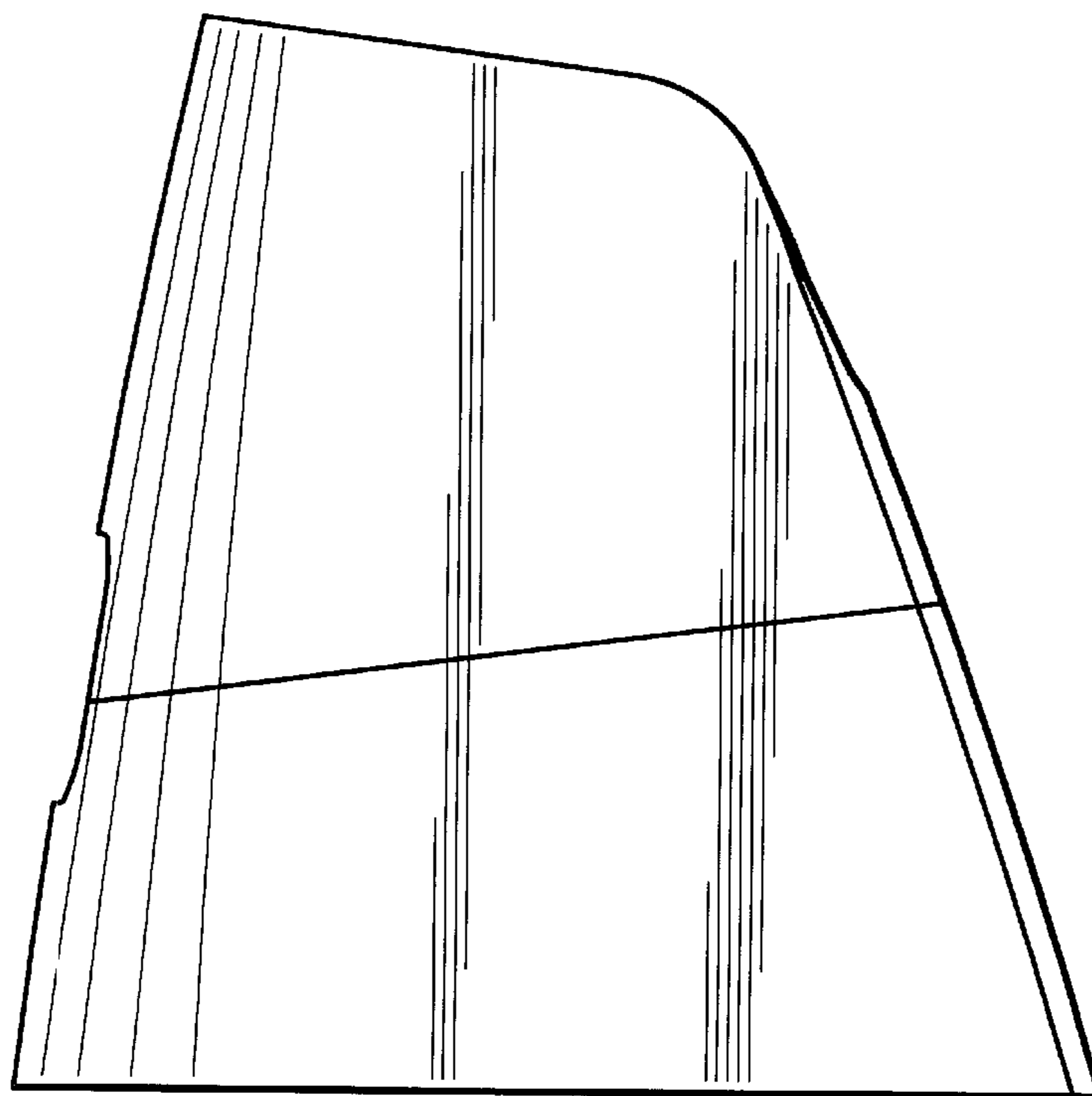


FIG. 7

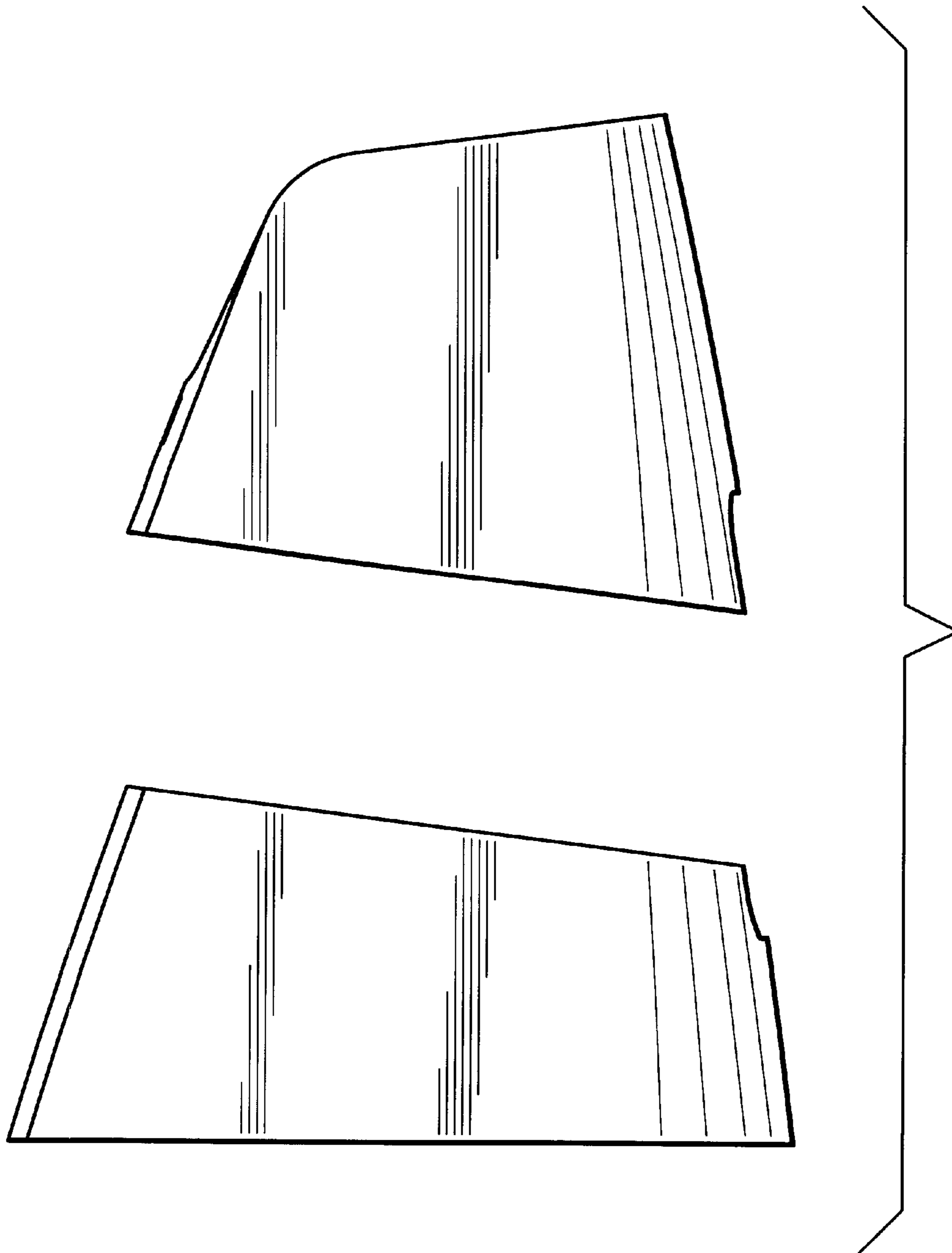


FIG.8