



US00D533496S

(12) **United States Design Patent**  
**Bogani et al.**

(10) **Patent No.:** **US D533,496 S**

(45) **Date of Patent:** **\*\* Dec. 12, 2006**

(54) **VEHICLE WHEEL RIM**

(75) Inventors: **Massimiliano Bogani**, Cassano  
Magnago (IT); **Stefano Ferrante**, Busto  
Arsizio (IT)

(73) Assignee: **Marchesini S.p.A.**, Jerago Con Orago  
(IT)

(\*\*) Term: **14 Years**

(21) Appl. No.: **29/255,988**

(22) Filed: **Mar. 15, 2006**

(30) **Foreign Application Priority Data**

Sep. 15, 2005 (IT) ..... BS2005O0043

(51) **LOC (8) Cl.** ..... **12-16**

(52) **U.S. Cl.** ..... **D12/209**

(58) **Field of Classification Search** ..... D12/204-213;  
301/37.101, 64.101, 65

See application file for complete search history.

(56) **References Cited**

**U.S. PATENT DOCUMENTS**

D409,551 S \* 5/1999 Otto ..... D12/211

D436,572 S \* 1/2001 Brown ..... D12/209

D440,933 S \* 4/2001 Vian ..... D12/209  
D441,707 S \* 5/2001 Hussaini et al. .... D12/209  
D490,355 S \* 5/2004 Francis ..... D12/209  
D497,340 S \* 10/2004 Anderson et al. .... D12/209  
D507,220 S \* 7/2005 Lucaora ..... D12/209  
D516,485 S \* 3/2006 Lucaora ..... D12/209  
D519,900 S \* 5/2006 Francis ..... D12/209

\* cited by examiner

*Primary Examiner*—Stacia Cadmus

(74) *Attorney, Agent, or Firm*—Shoemaker and Mattare

(57) **CLAIM**

The ornamental design for a vehicle wheel rim, as shown and described.

**DESCRIPTION**

FIG. 1 is a perspective view of a vehicle wheel rim, showing our new design from the front, above and one side;

FIG. 2 is a top plan view thereof;

FIG. 3 is a bottom plan view thereof;

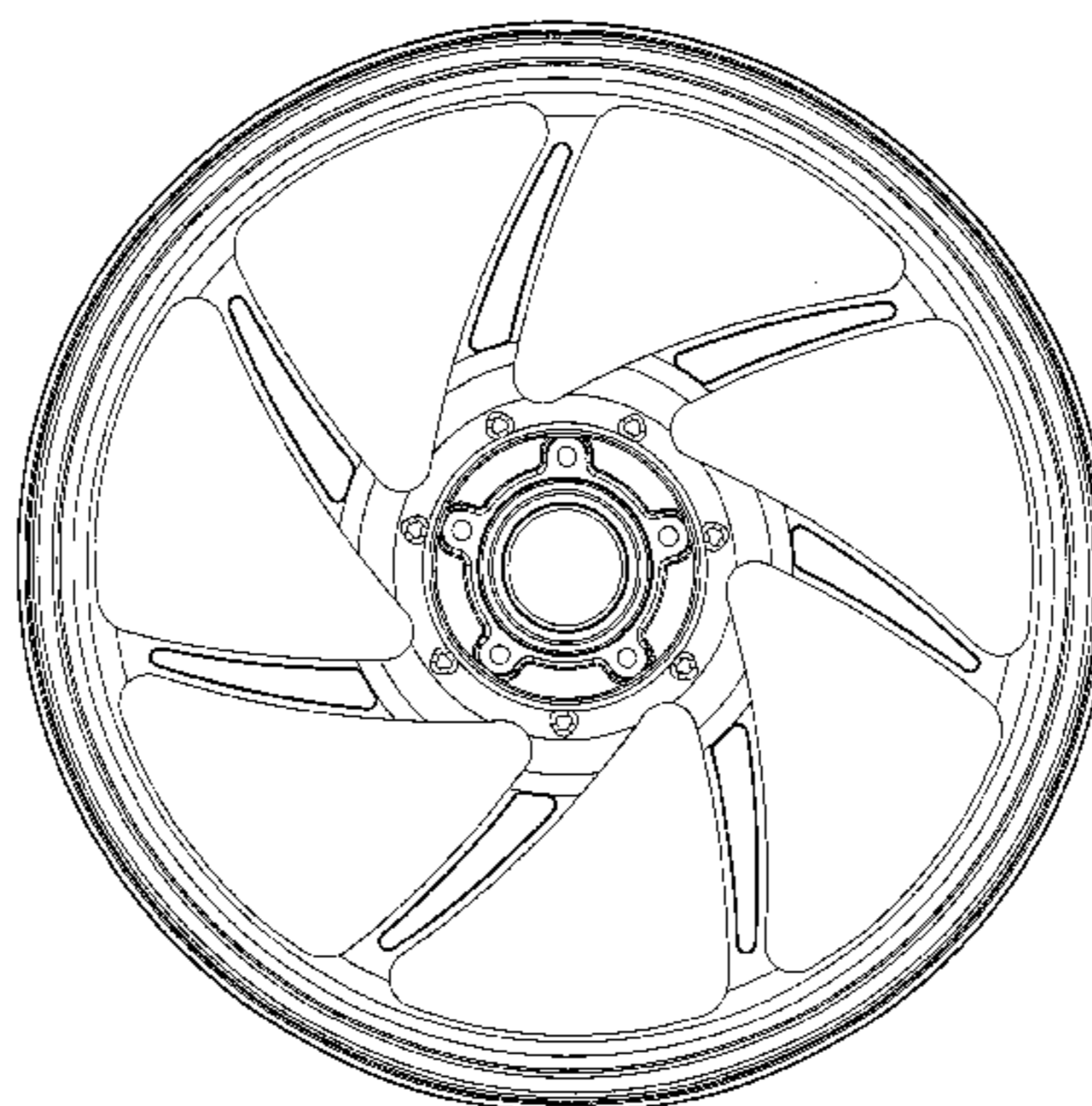
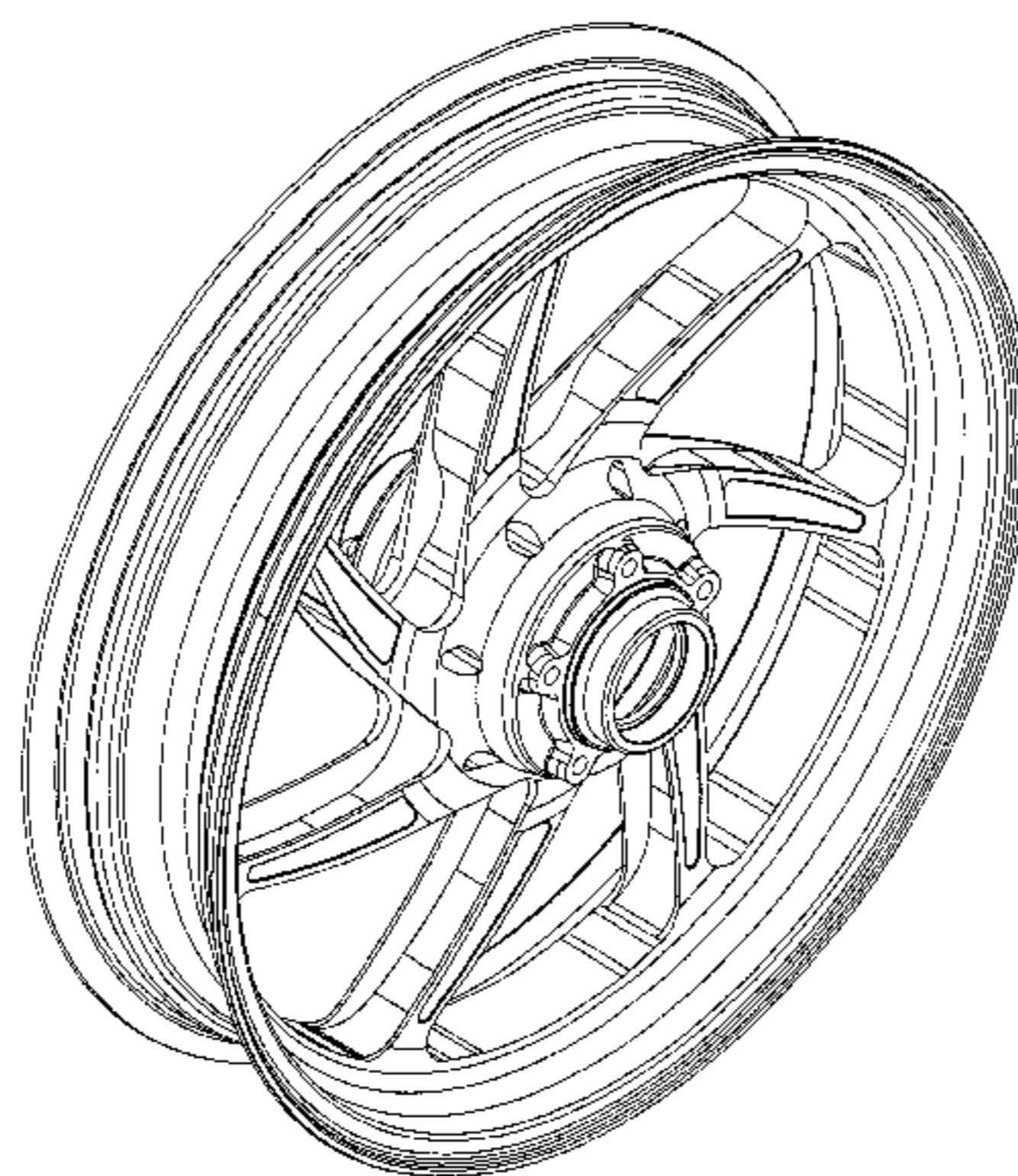
FIG. 4 is a front elevational view thereof;

FIG. 5 is a rear elevational view thereof;

FIG. 6 is a left side view thereof; and,

FIG. 7 is a right side view thereof.

**1 Claim, 7 Drawing Sheets**



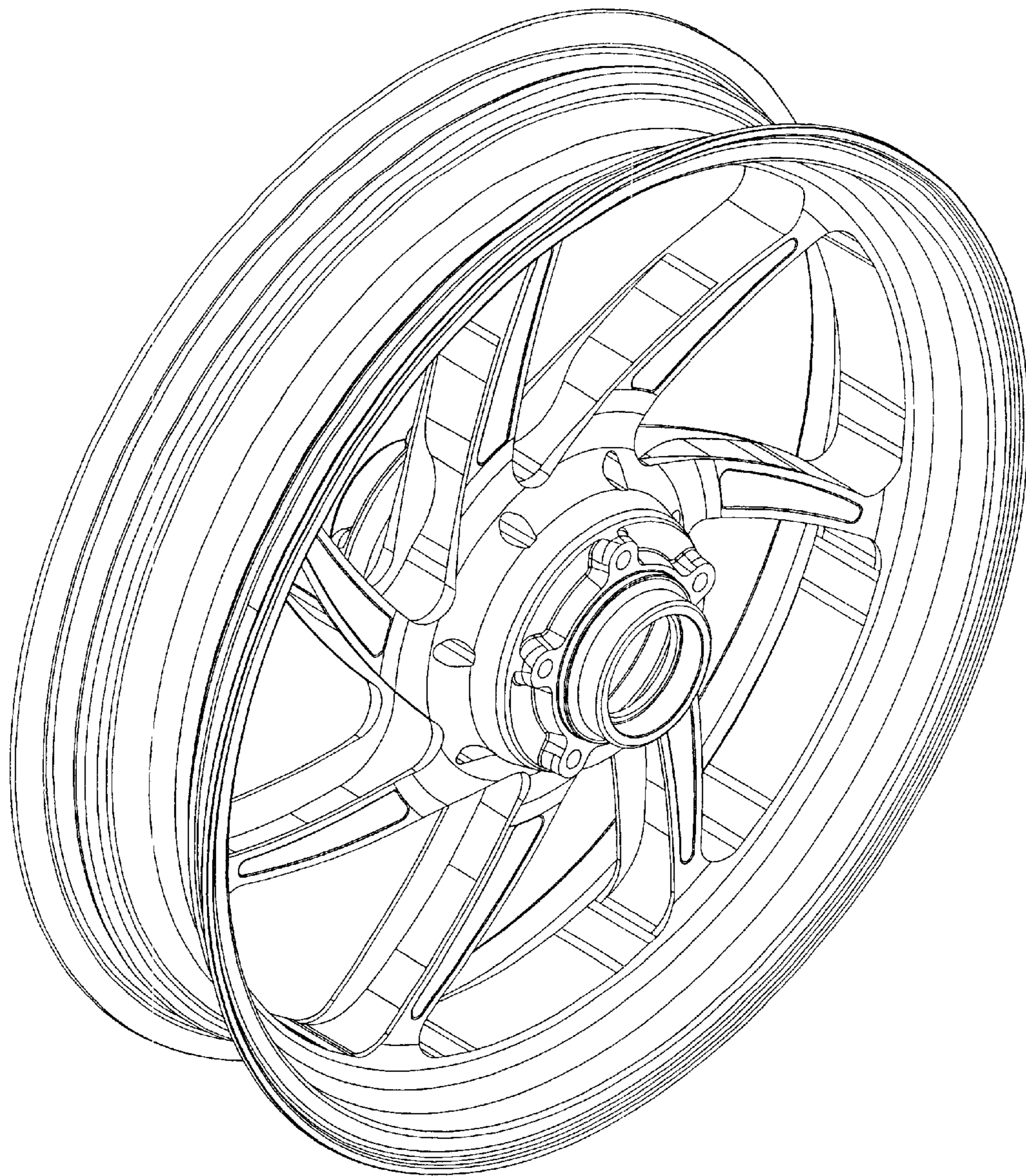


Fig. 1

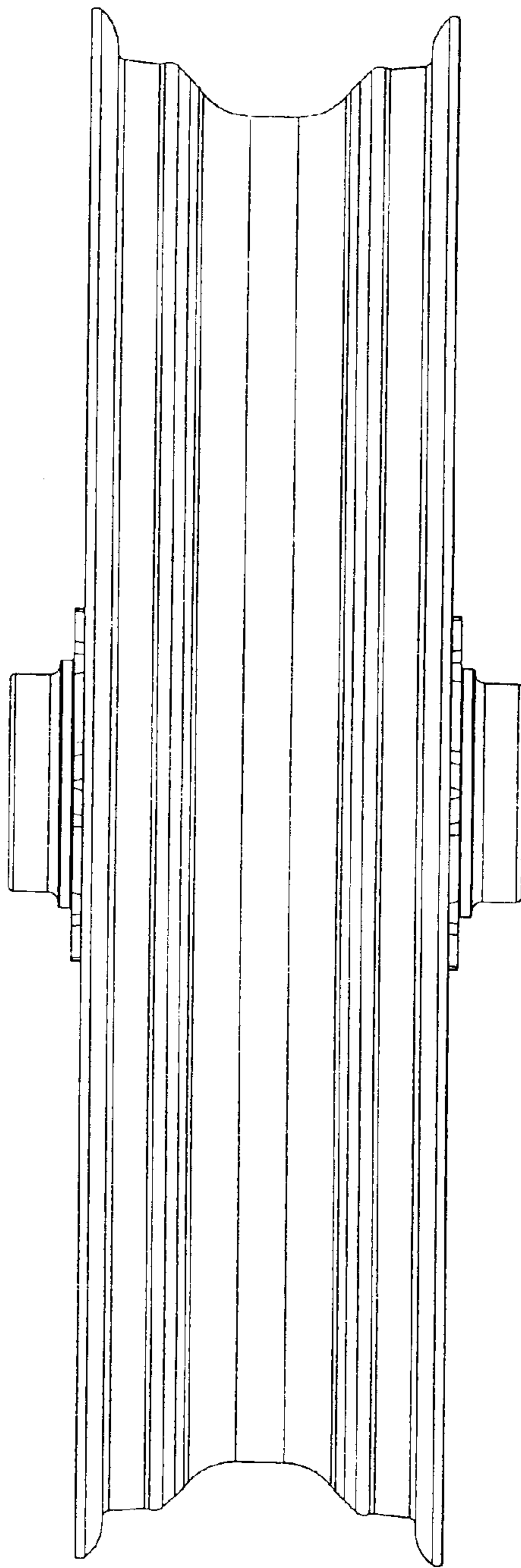


Fig. 2

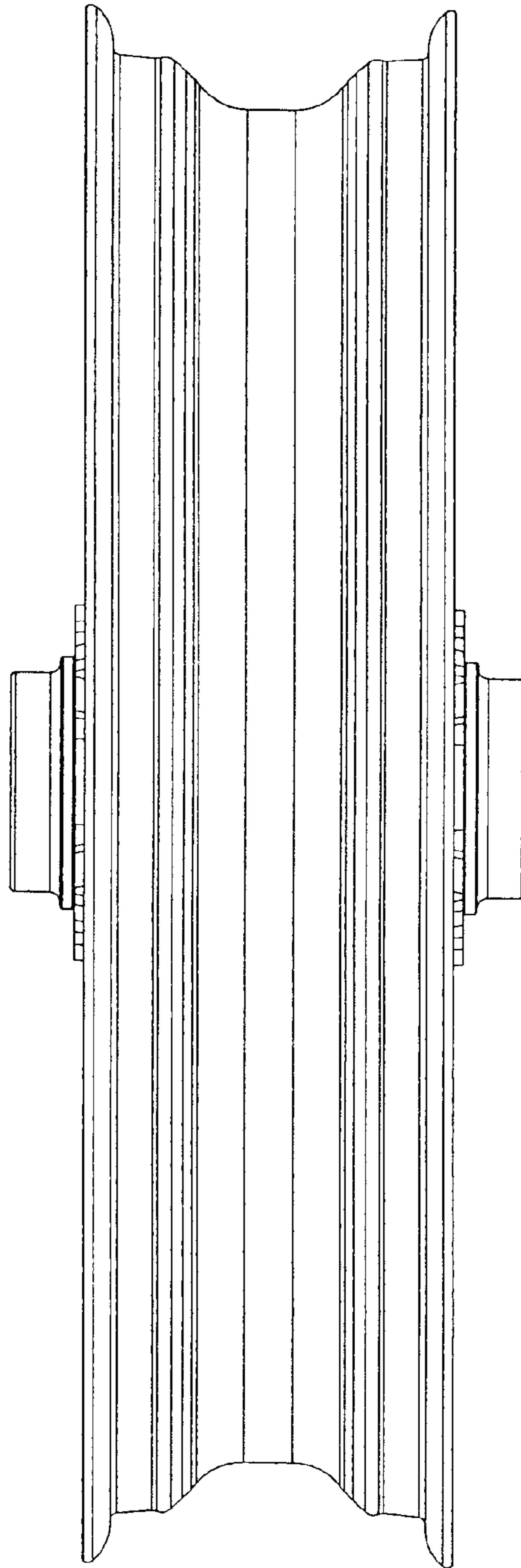


Fig. 3

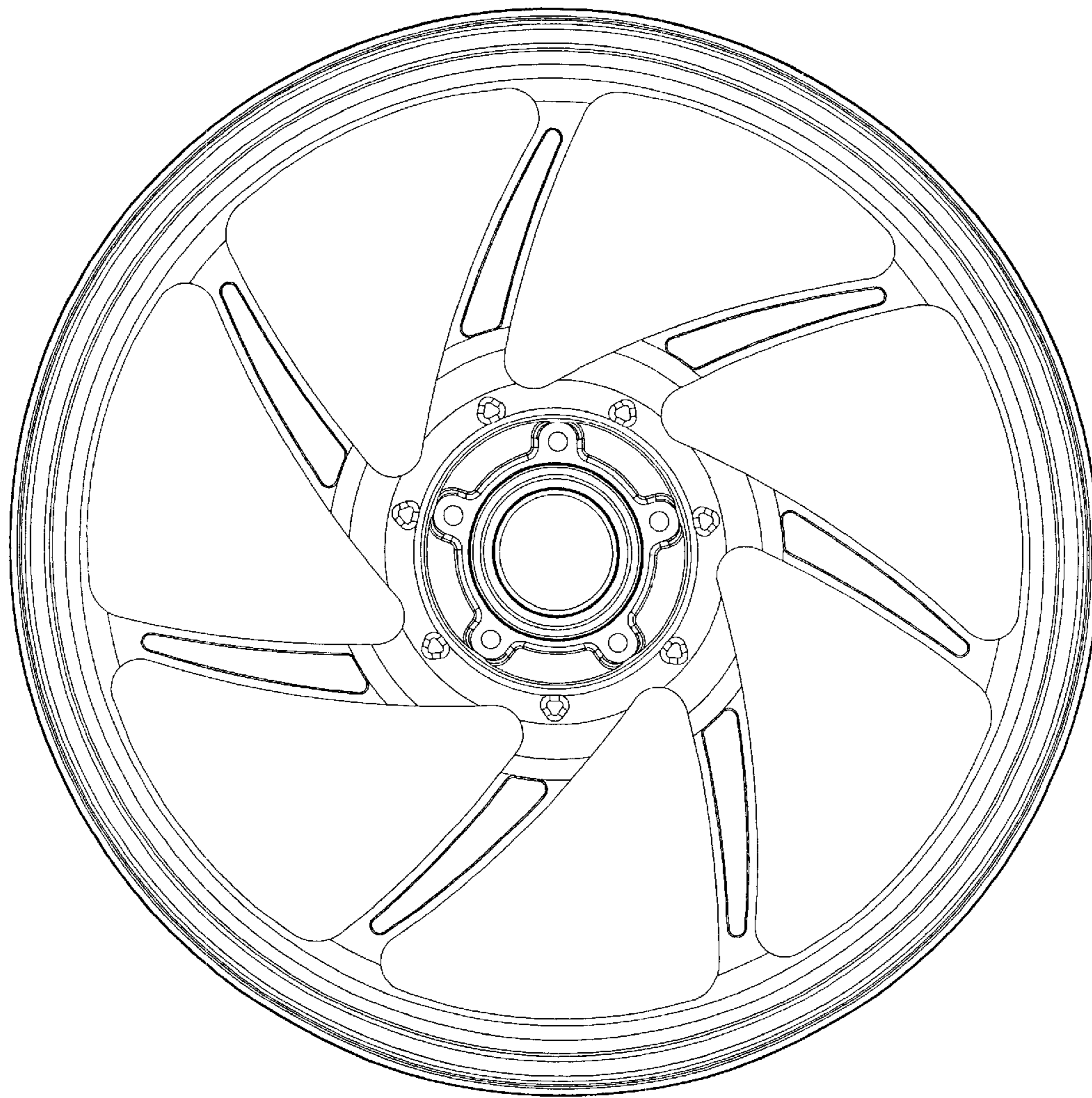


Fig. 4

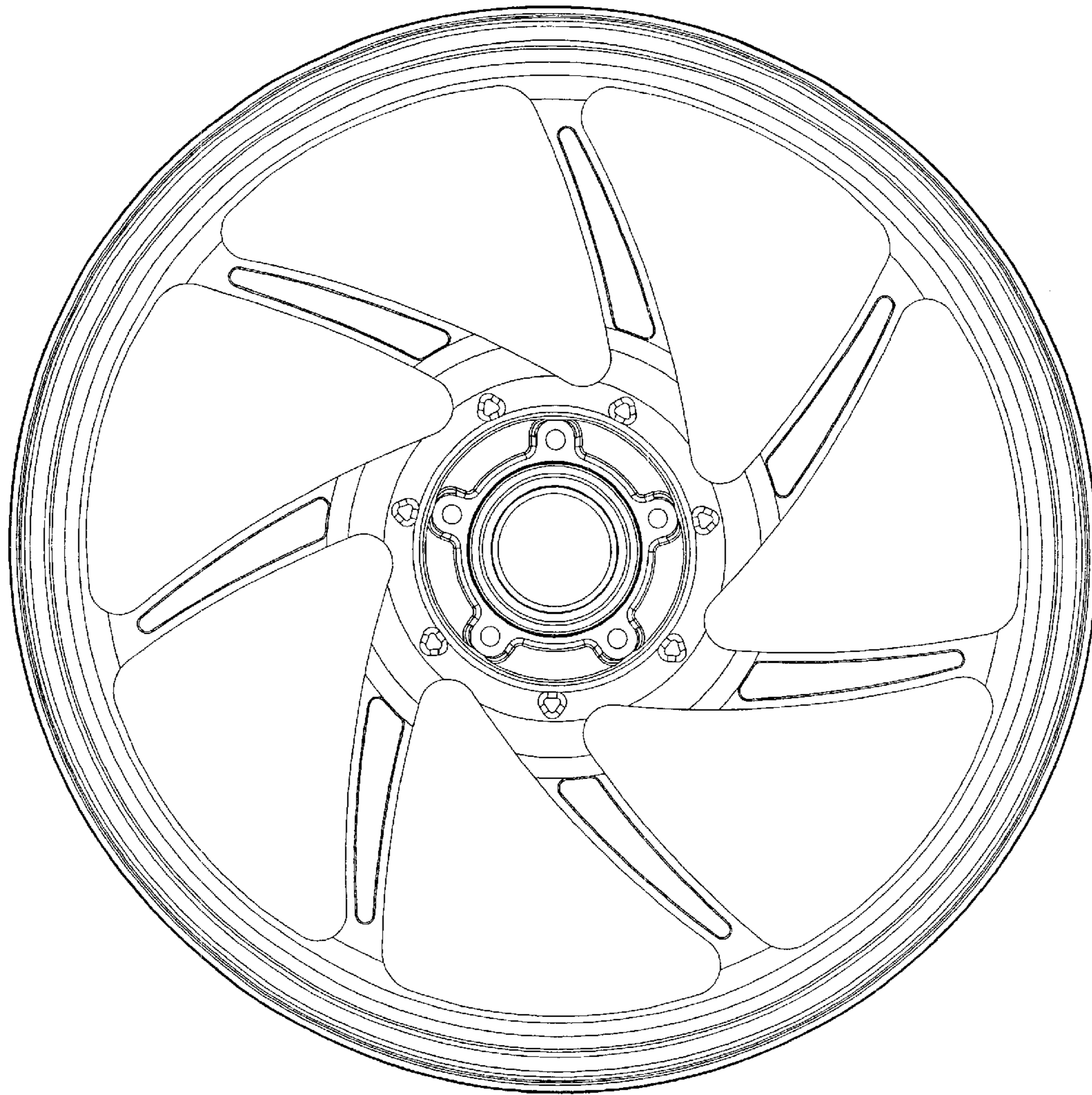


Fig. 5

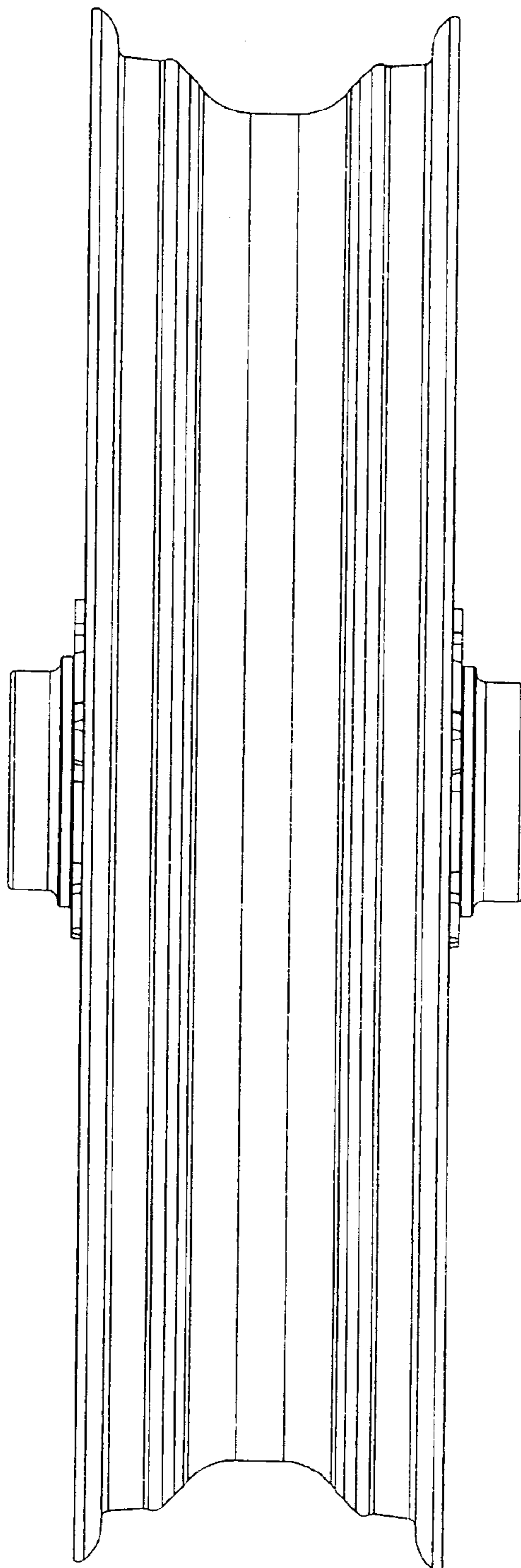


Fig. 6

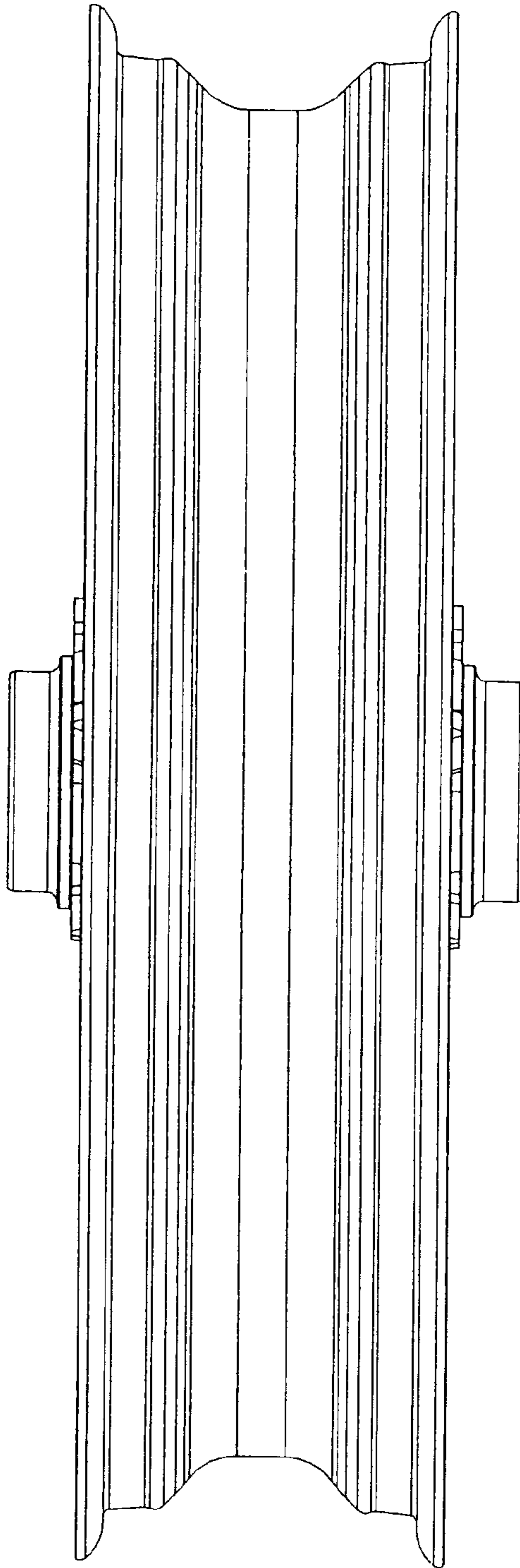


Fig. 7