

US00D533492S

(12) **United States Design Patent**  
**Maezono et al.**

(10) **Patent No.:** **US D533,492 S**

(45) **Date of Patent:** **\*\* Dec. 12, 2006**

(54) **INSTRUMENT PANEL FOR AUTOMOBILE**

(75) Inventors: **Tepei Maezono**, Wako (JP); **Nobuhiro Hayase**, Wako (JP)

(73) Assignee: **Honda Motor Co., Ltd.**, Tokyo (JP)

(\*\*) Term: **14 Years**

(21) Appl. No.: **29/256,205**

(22) Filed: **Mar. 20, 2006**

(30) **Foreign Application Priority Data**

Sep. 22, 2005 (JP) ..... 2005-27388

(51) **LOC (8) Cl.** ..... **12-16**

(52) **U.S. Cl.** ..... **D12/192**

(58) **Field of Classification Search** ..... D12/192;  
180/90; 280/750-752; D10/46, 102, 98, 122-127;  
D15/17, 28; 296/190.01-191, 70  
See application file for complete search history.

(56) **References Cited**

**U.S. PATENT DOCUMENTS**

- D419,936 S \* 2/2000 Sacco et al. .... D12/192
- D439,211 S \* 3/2001 Pfeiffer ..... D12/192
- D440,193 S \* 4/2001 Pfeiffer ..... D12/192
- D469,391 S \* 1/2003 Pfeiffer et al. .... D12/192

- D470,809 S \* 2/2003 Asahi et al. .... D12/192
- D492,631 S \* 7/2004 Pfeiffer et al. .... D12/192
- D492,632 S \* 7/2004 Pfeiffer ..... D12/192
- D493,757 S \* 8/2004 Pfeiffer ..... D12/192
- D494,907 S \* 8/2004 Pfeiffer ..... D12/192
- D501,811 S \* 2/2005 Fukuda et al. .... D12/192
- D504,369 S \* 4/2005 Pfeiffer ..... D12/192
- D512,006 S \* 11/2005 Sims ..... D12/192

\* cited by examiner

*Primary Examiner*—Stacia Cadmus

(74) *Attorney, Agent, or Firm*—Sughrue Mion, PLLC

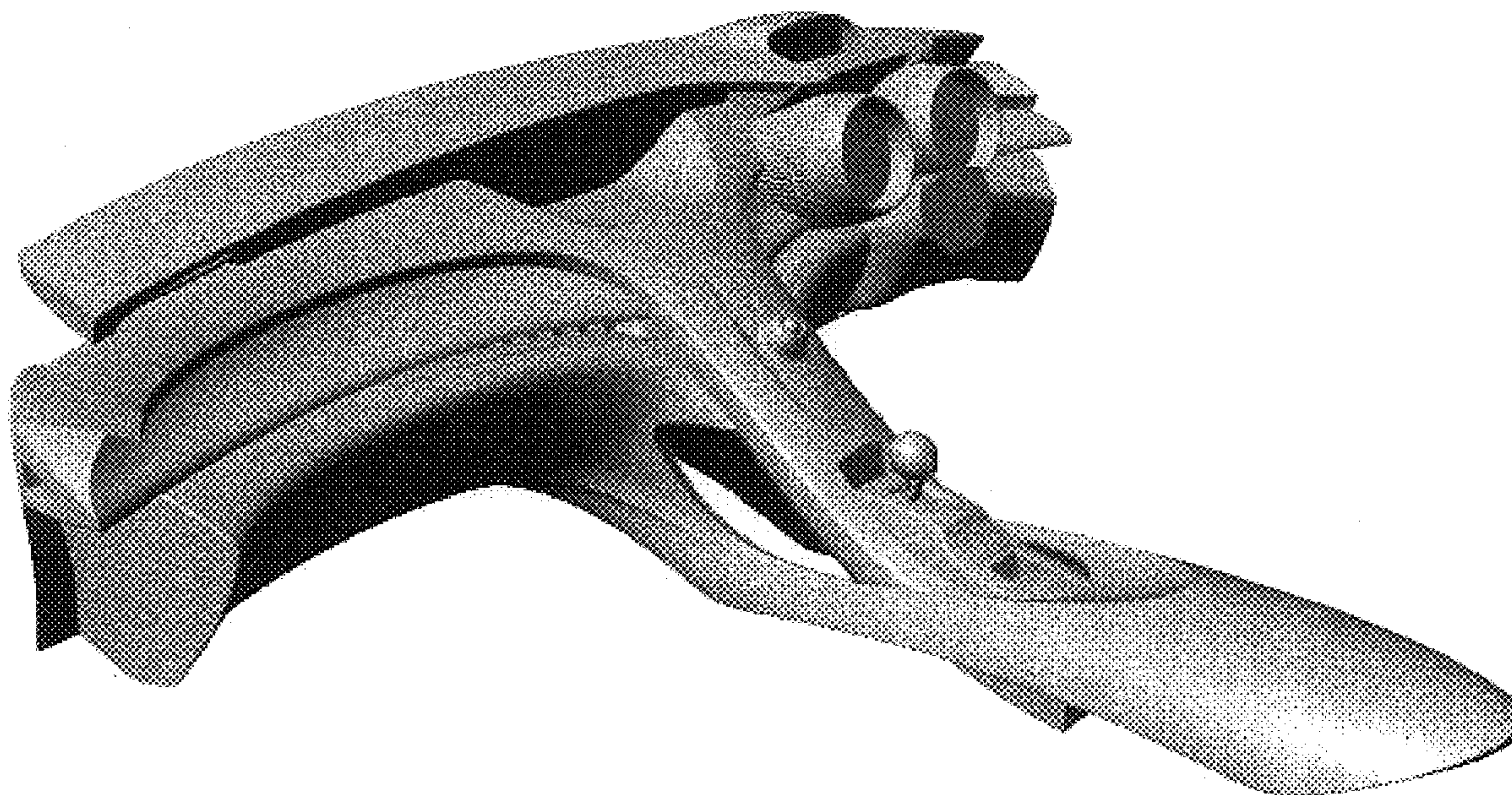
(57) **CLAIM**

The ornamental design for an instrument panel for automobile, as shown and described.

**DESCRIPTION**

FIG. 1 is a perspective view of the top, front and left side of an instrument panel for automobile showing our new design; FIG. 2 is a front elevational view thereof; FIG. 3 is rear elevational view thereof; FIG. 4 is atop plan view thereof; FIG. 5 is a bottom plan view thereof; FIG. 6 is a left side view thereof; and, FIG. 7 is a right side elevational view thereof.

**1 Claim, 7 Drawing Sheets**





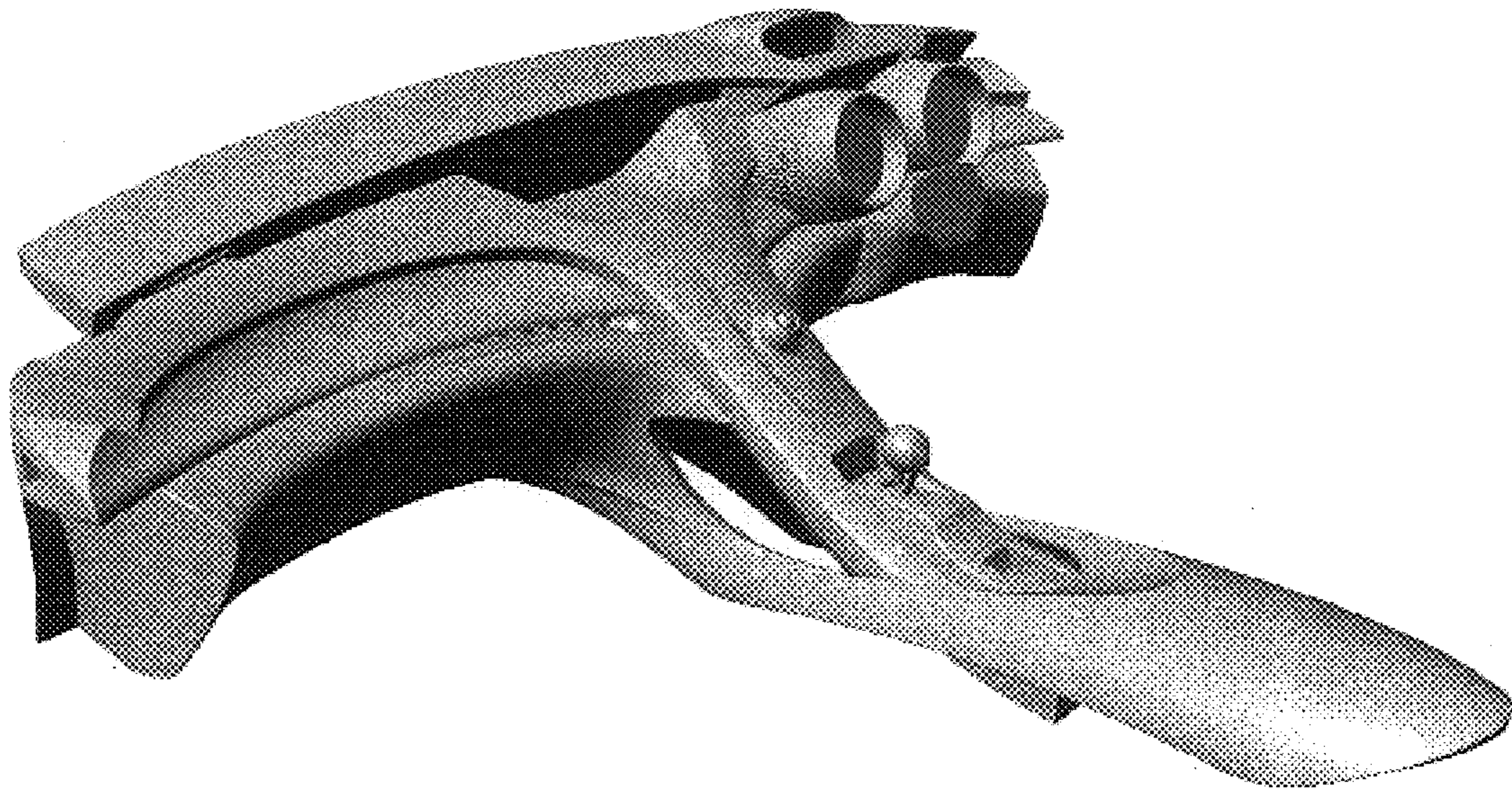


FIG.1

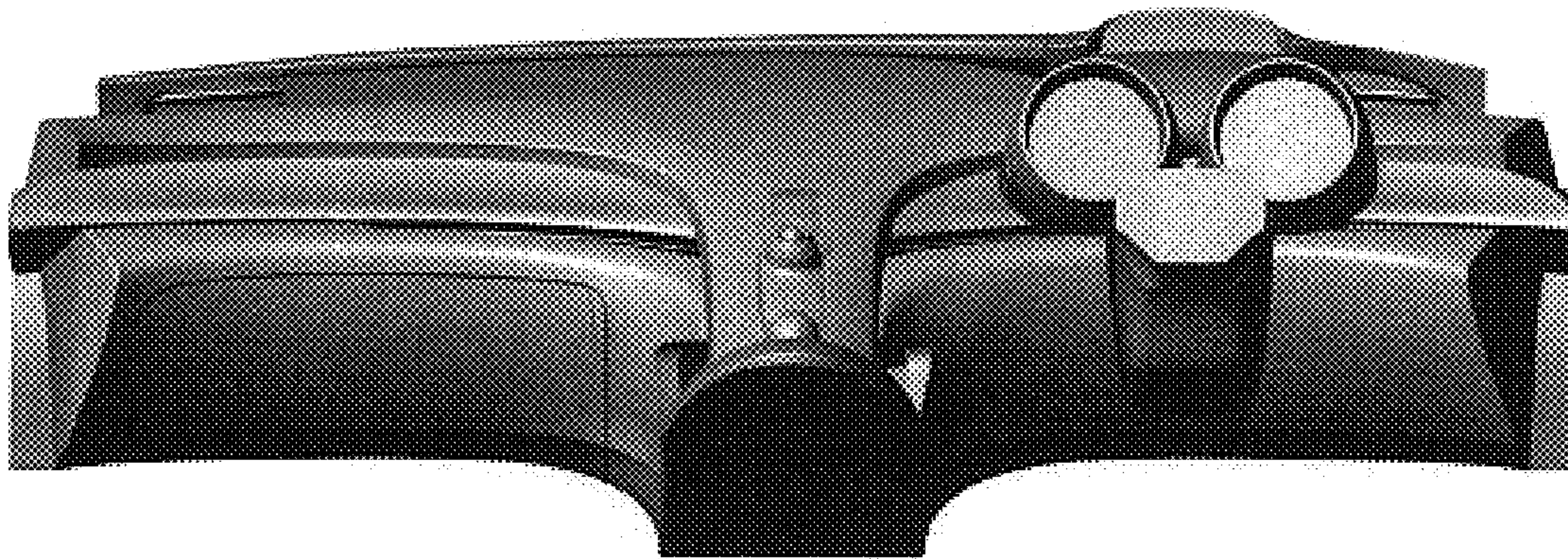


FIG.2



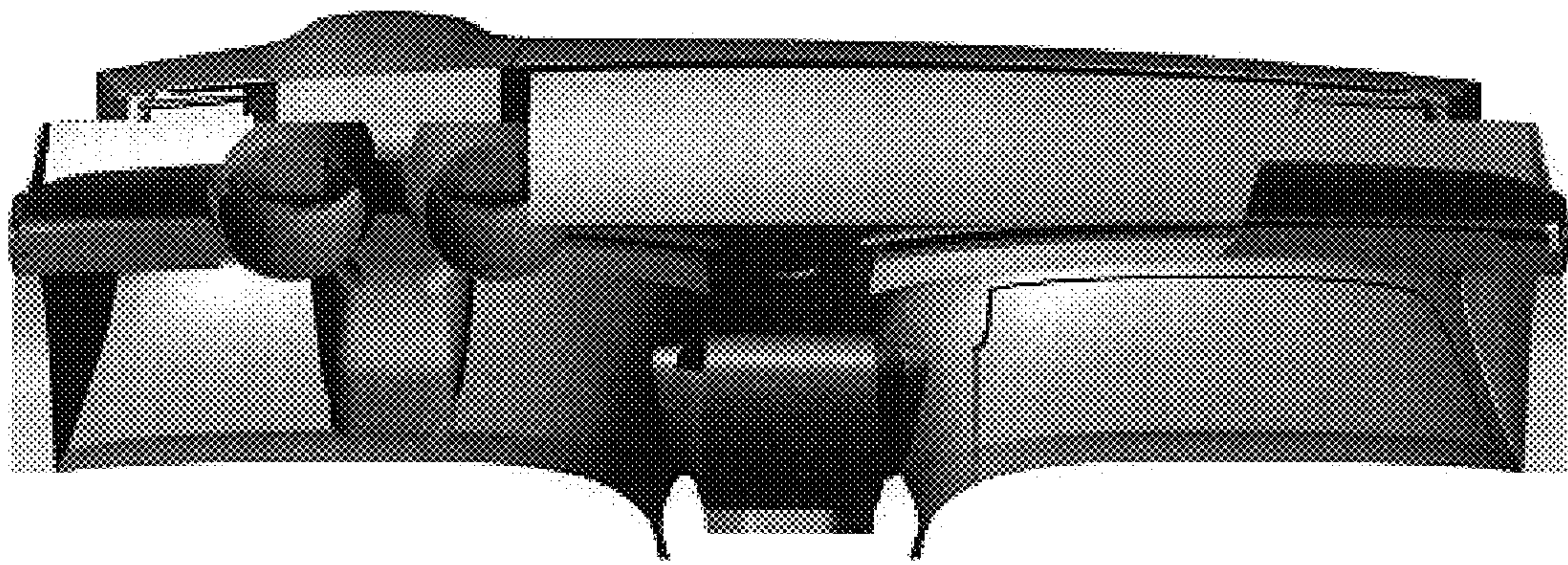


FIG.3



FIG. 4



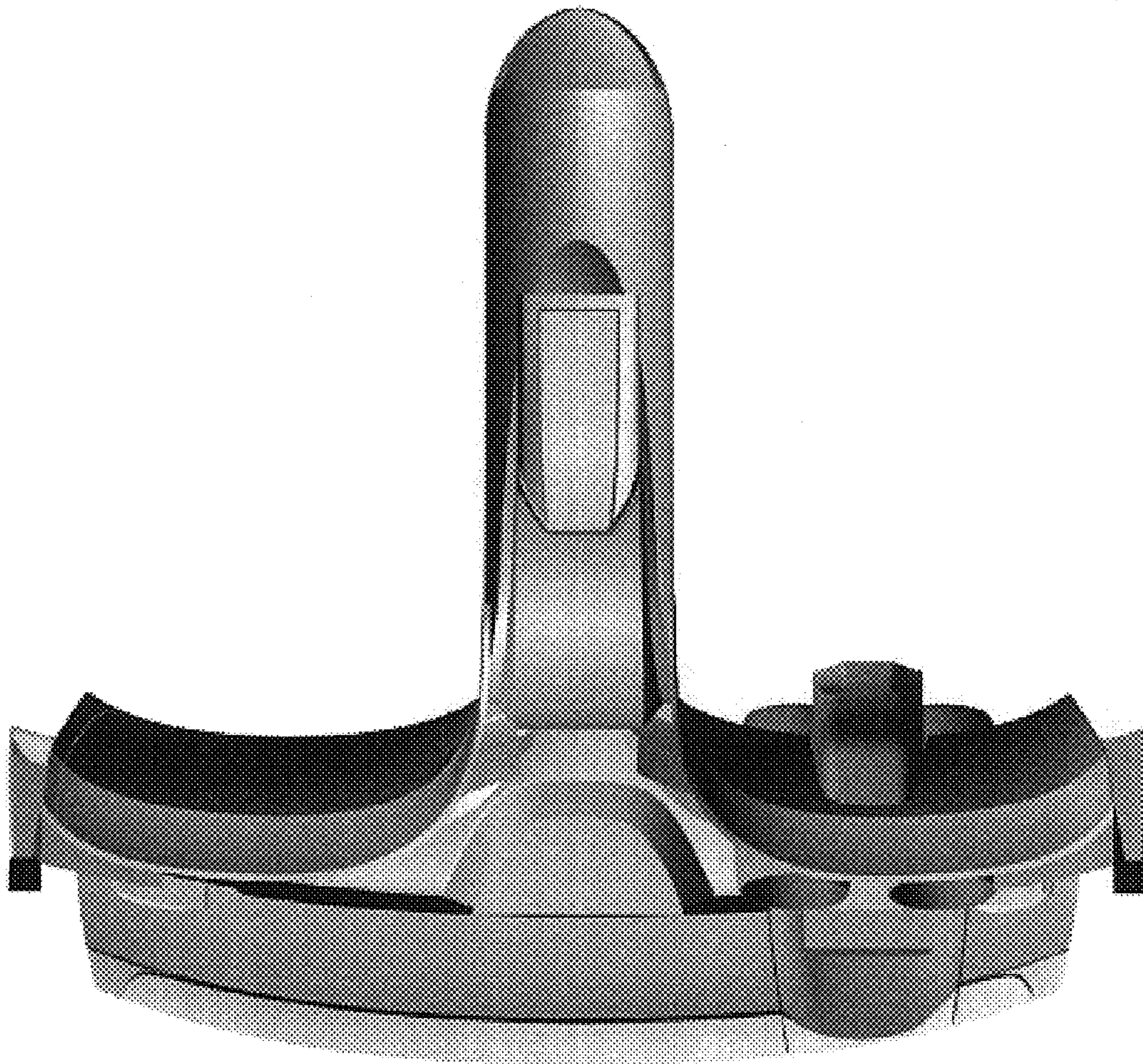
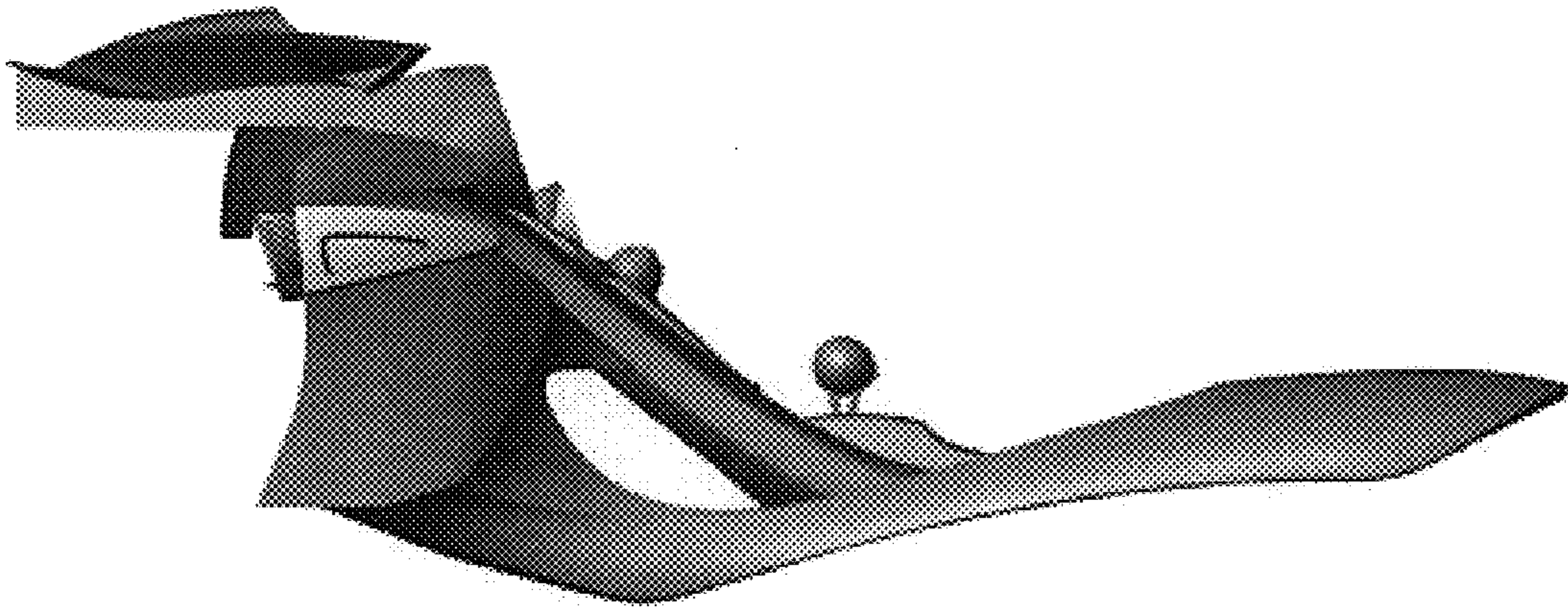


FIG.5



**FIG.6**



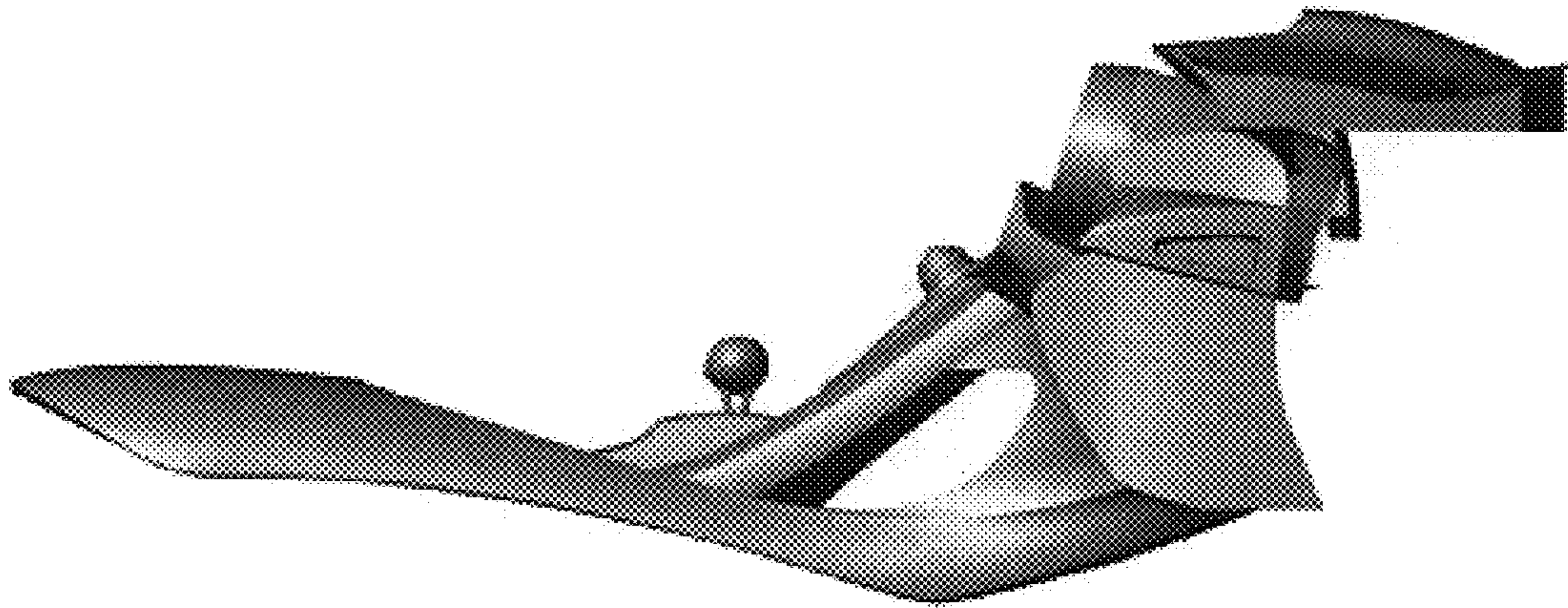


FIG.7