



US00D533491S

(12) **United States Design Patent**
Cottrell

(10) **Patent No.:** **US D533,491 S**

(45) **Date of Patent:** **** Dec. 12, 2006**

(54) **SUN VISOR EXTENSION DEVICE**

(76) Inventor: **Sandra Cottrell**, 2057 Lee Pl.,
Pomona, CO (US) 91766

(**) Term: **14 Years**

(21) Appl. No.: **29/241,623**

(22) Filed: **Oct. 31, 2005**

(51) **LOC (8) Cl.** **12-16**

(52) **U.S. Cl.** **D12/191**

(58) **Field of Classification Search** D12/191,
D12/400, 417; 296/97.1, 97.4-97.13; 160/DIG. 3,
160/370.21-370.23; 224/312

See application file for complete search history.

(56) **References Cited**

U.S. PATENT DOCUMENTS

D134,476 S	*	12/1942	Feltault	D12/417
2,432,674 A	*	12/1947	Office	296/97.5
4,169,552 A	*	10/1979	Lichtenstein et al.	296/97.8
5,112,096 A	*	5/1992	Keenan	296/97.6
5,340,071 A	*	8/1994	Fox, II	224/312
D381,006 S	*	7/1997	Tuday	D12/417
D392,927 S		3/1998	Luong		
D398,571 S	*	9/1998	Steinbach	D12/191
D400,483 S	*	11/1998	Lebron-Guzman	D12/191

5,882,059 A	*	3/1999	Romero	296/97.6
D424,491 S	*	5/2000	Trent et al.	D12/191
D431,805 S	*	10/2000	Baltazar	D12/191
6,176,539 B1	*	1/2001	Westerman	296/97.6
6,189,947 B1		2/2001	Annan		
6,705,661 B1	*	3/2004	Amirmoini	296/97.6

* cited by examiner

Primary Examiner—Stacia Cadmus

(74) *Attorney, Agent, or Firm*—Crossley Patent Law; Mark A. Crossley

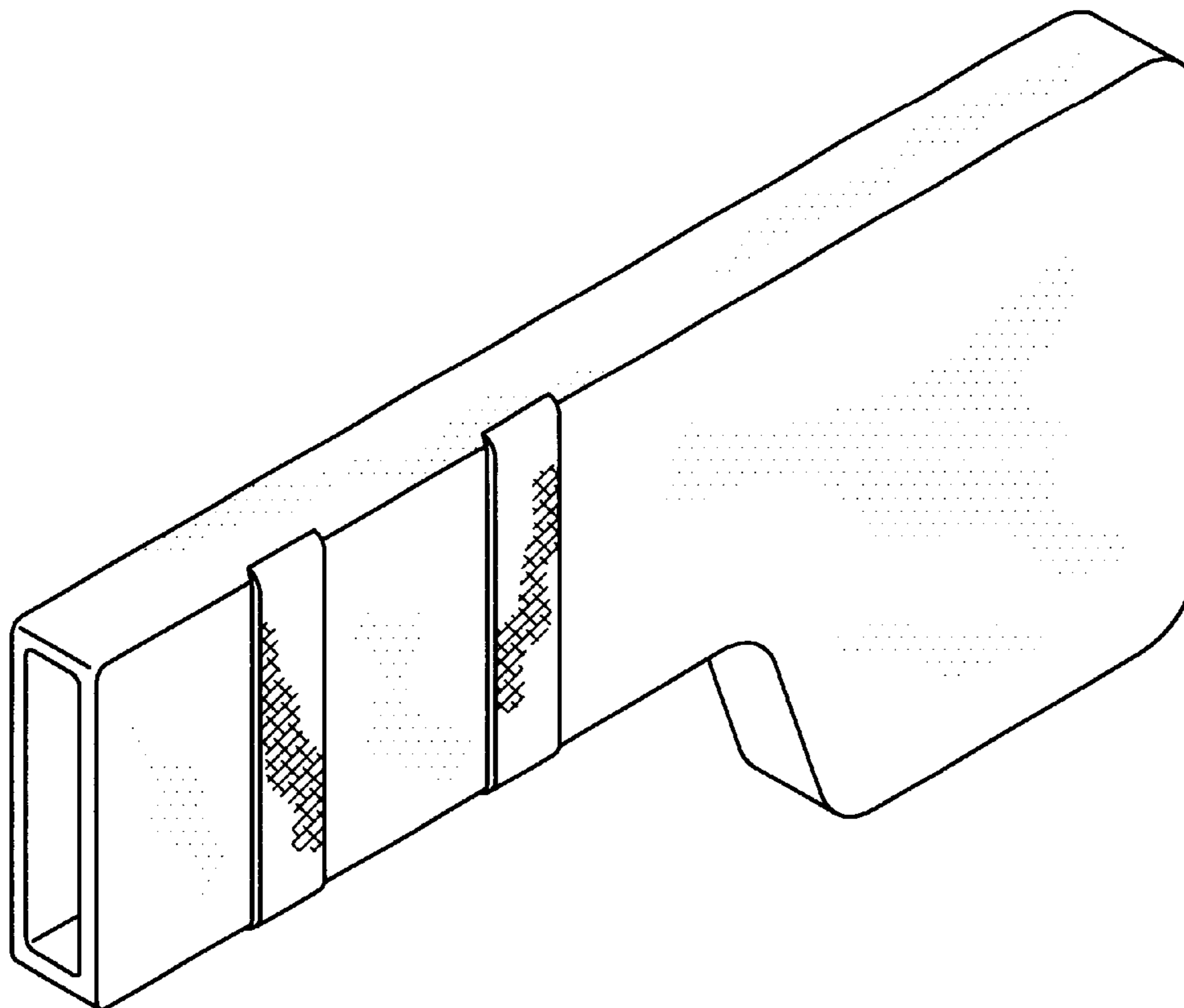
(57) **CLAIM**

The ornamental design for a sun visor extension device, as shown and described.

DESCRIPTION

FIG. 1 is a front elevation view of a sun visor extension device showing my new design; FIG. 2 is a rear elevation view; FIG. 3 is a left side elevation view; FIG. 4 is a right side elevation view; FIG. 5 is a top plan view; FIG. 6 is a bottom plan view; and, FIG. 7 is left side isometric view of a sun visor extension device showing my new design.

1 Claim, 4 Drawing Sheets



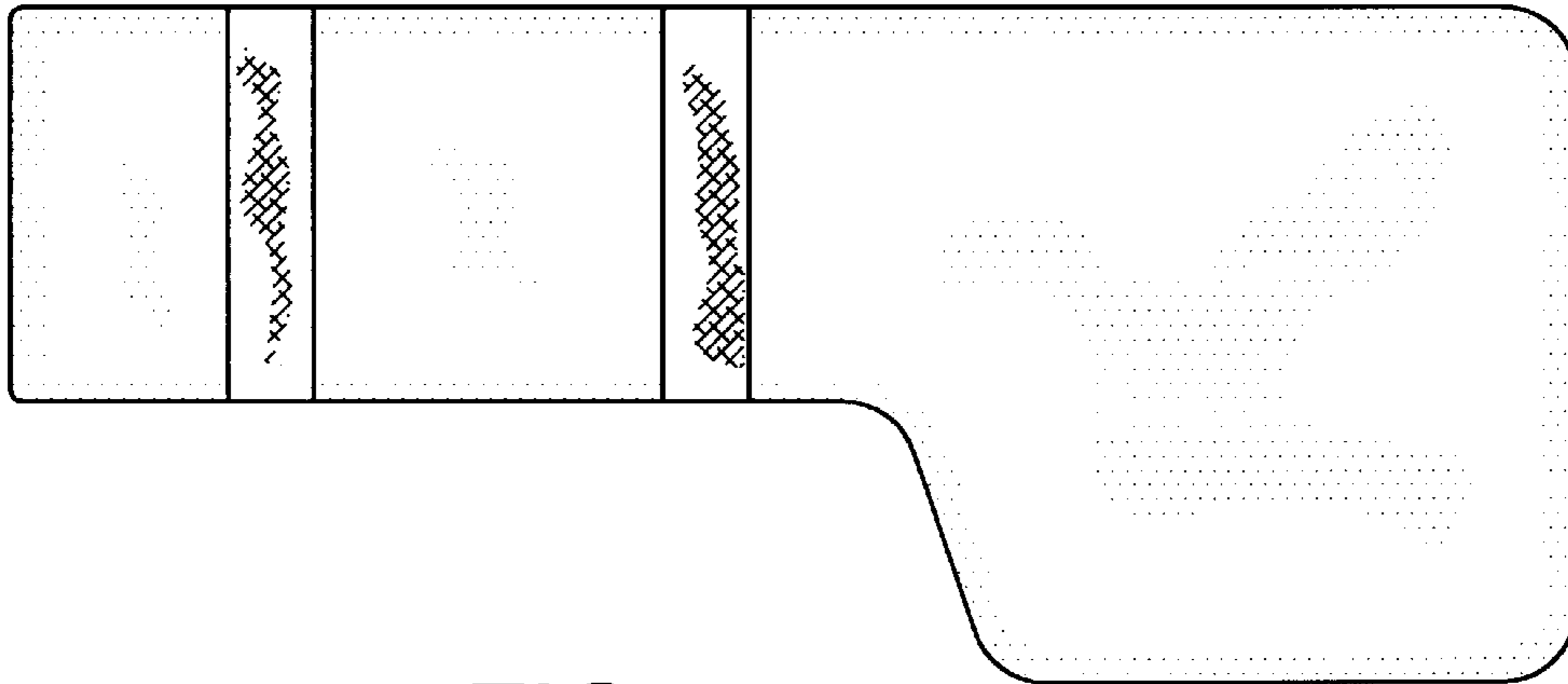


FIG. 1

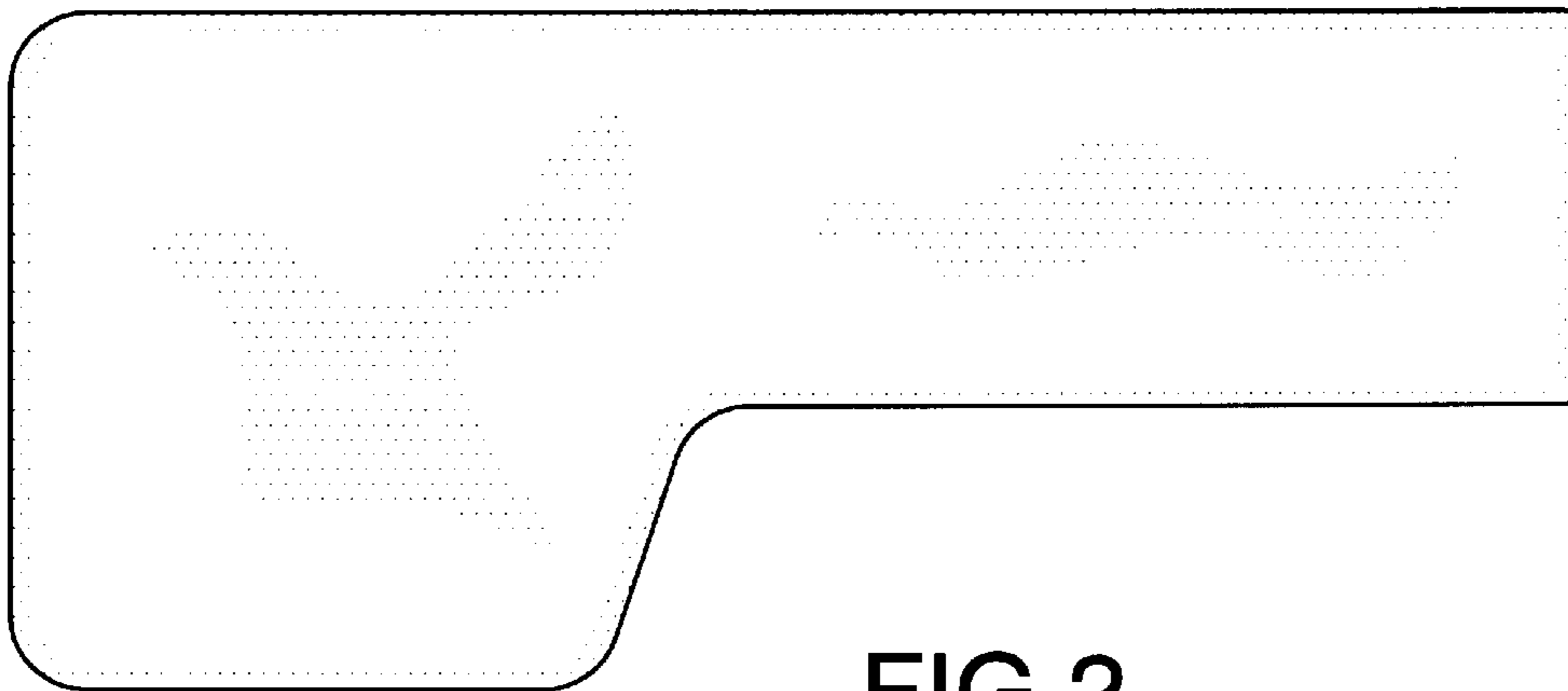


FIG. 2

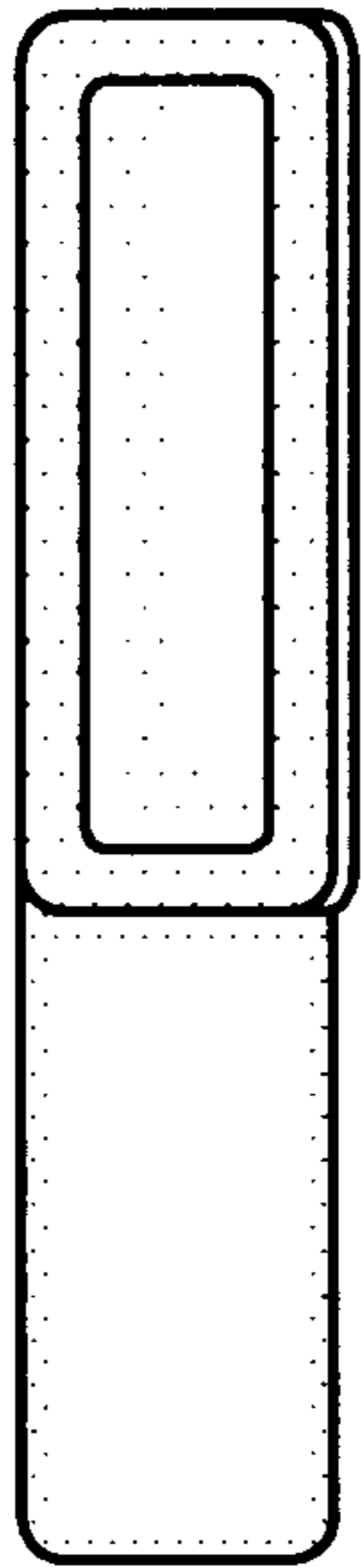


FIG.3

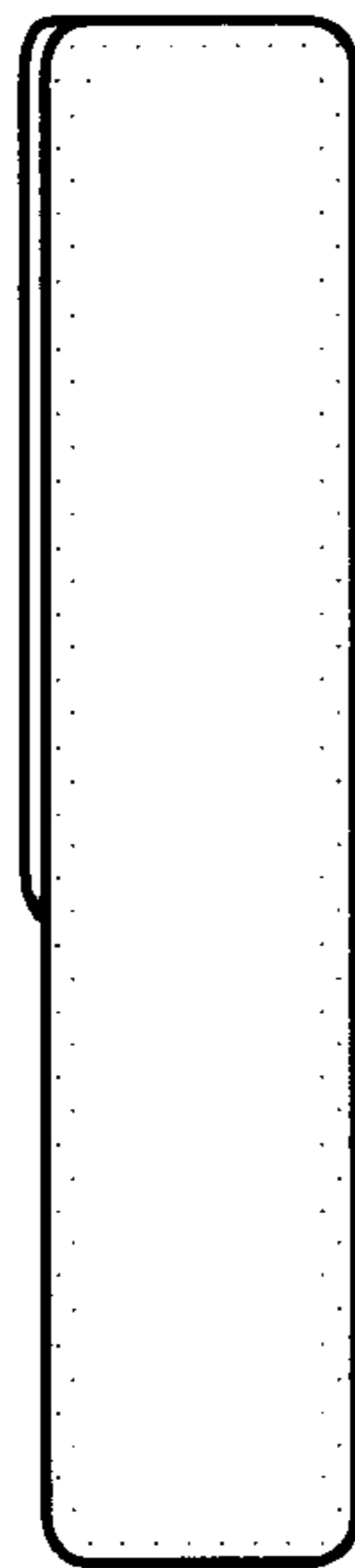


FIG.4

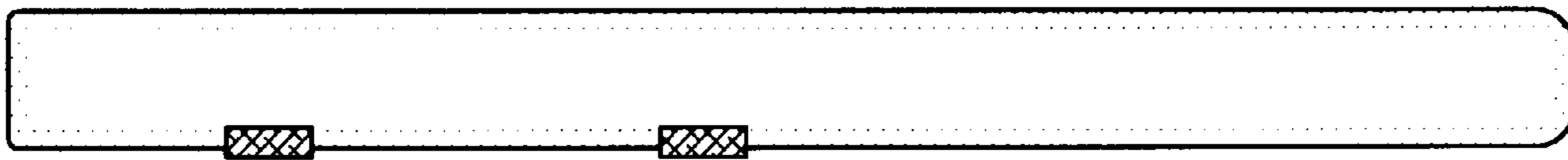


FIG. 5

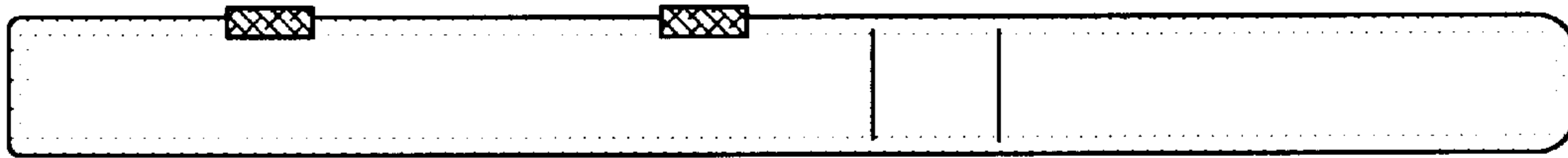


FIG. 6

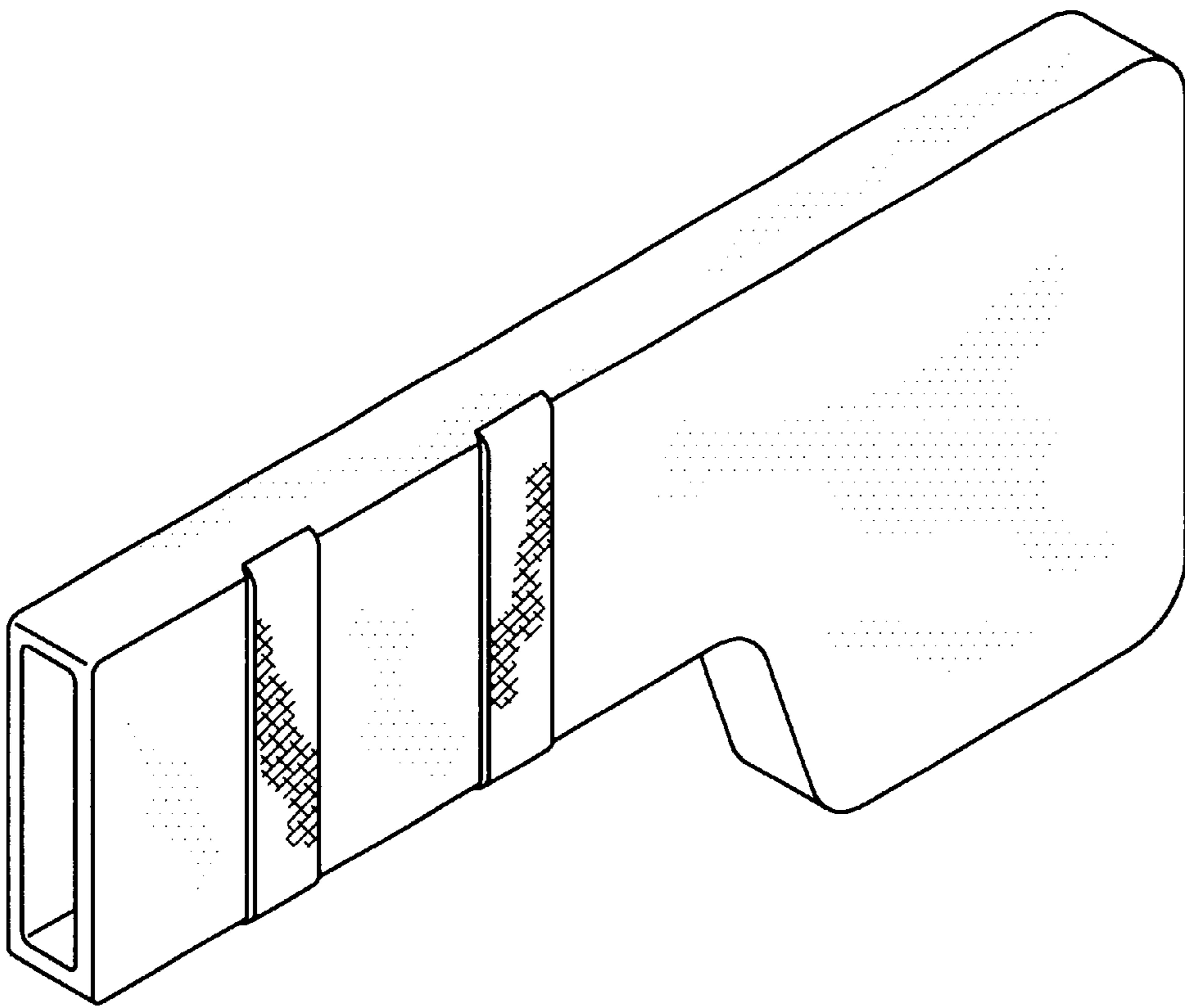


FIG.7