



US00D533490S

(12) **United States Design Patent**
Tsukasaki et al.

(10) **Patent No.:** **US D533,490 S**
(45) **Date of Patent:** **** Dec. 12, 2006**

(54) **FRONT COWL OF MOTORCYCLES**

(75) Inventors: **Tsubasa Tsukasaki**, Wako (JP); **Shinya Suzuki**, Wako (JP)

(73) Assignee: **Honda Motor Co., Ltd.**, Tokyo (JP)

(**) Term: **14 Years**

(21) Appl. No.: **29/232,775**

(22) Filed: **Jun. 24, 2005**

(30) **Foreign Application Priority Data**

Dec. 27, 2004 (JP) 2004-039739

(51) **LOC (8) Cl.** **12-16**

(52) **U.S. Cl.** **D12/182**

(58) **Field of Classification Search** D12/110,
D12/114, 126, 181, 182; 180/219; 280/152.1,
280/152.3, 281.1, 288.1-288.4, 304.3, 848,
280/852

See application file for complete search history.

(56) **References Cited**

U.S. PATENT DOCUMENTS

D283,021 S * 3/1986 Abe et al. D12/182

FOREIGN PATENT DOCUMENTS

JP 1063659 3/2000
JP 1071597 5/2000

* cited by examiner

Primary Examiner—Alan P. Douglas

Assistant Examiner—Linda Brooks

(74) *Attorney, Agent, or Firm*—Arent Fox PLLC

(57) **CLAIM**

The ornamental design for a front cowl of motorcycles, as shown and described.

DESCRIPTION

FIG. 1 is a front view of a front cowl of motorcycles showing my new design.

FIG. 2 is a rear view thereof.

FIG. 3 is a plan view thereof.

FIG. 4 is a bottom view thereof.

FIG. 5 is a right side view thereof.

FIG. 6 is a left side view thereof.

FIG. 7 is a perspective view thereof as seen from the right front side.

FIG. 8 is a perspective view thereof as seen from the left front side.

FIG. 9 is a perspective view thereof as seen from the right rear side; and,

FIG. 10 is a perspective view thereof as seen from the left rear side.

The broken lines immediately adjacent the shaded areas represent the boundaries of the claimed design and form no part thereof, while the other broken lines show environment and form no part of the claimed design.

The rear portion including the thicknesses and surfaces of the subject design are not part of the claimed subject matter.

1 Claim, 5 Drawing Sheets

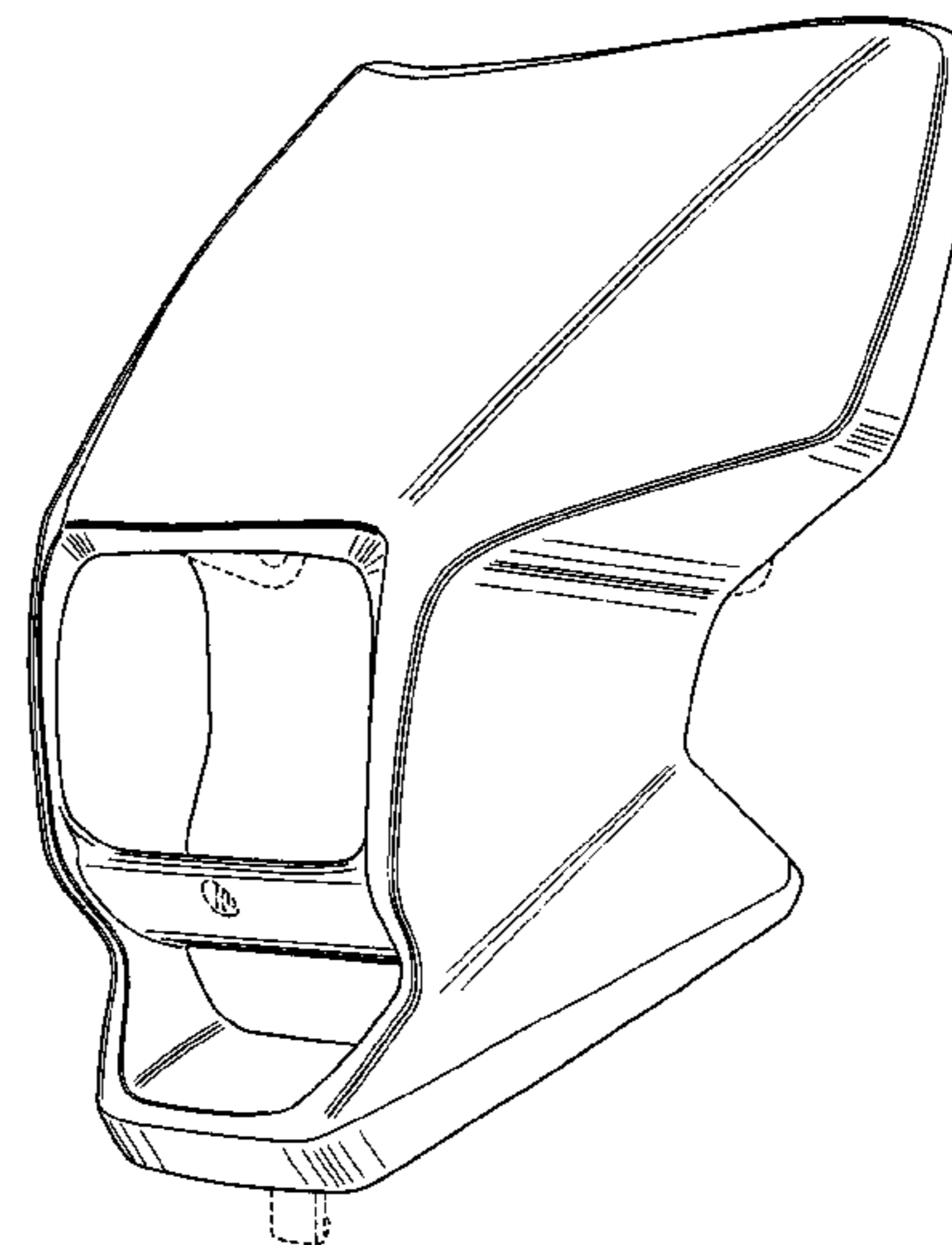
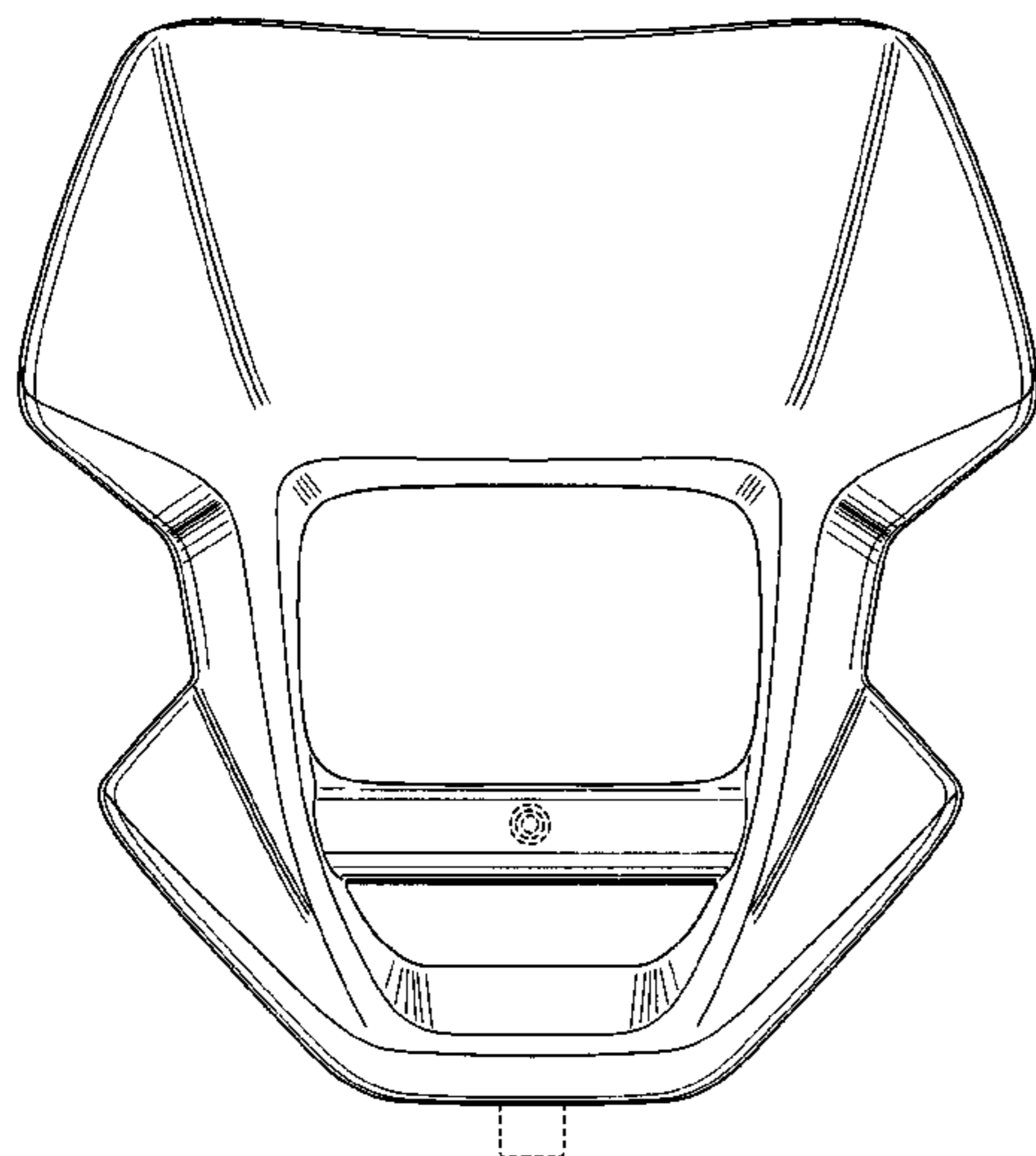


FIG.1

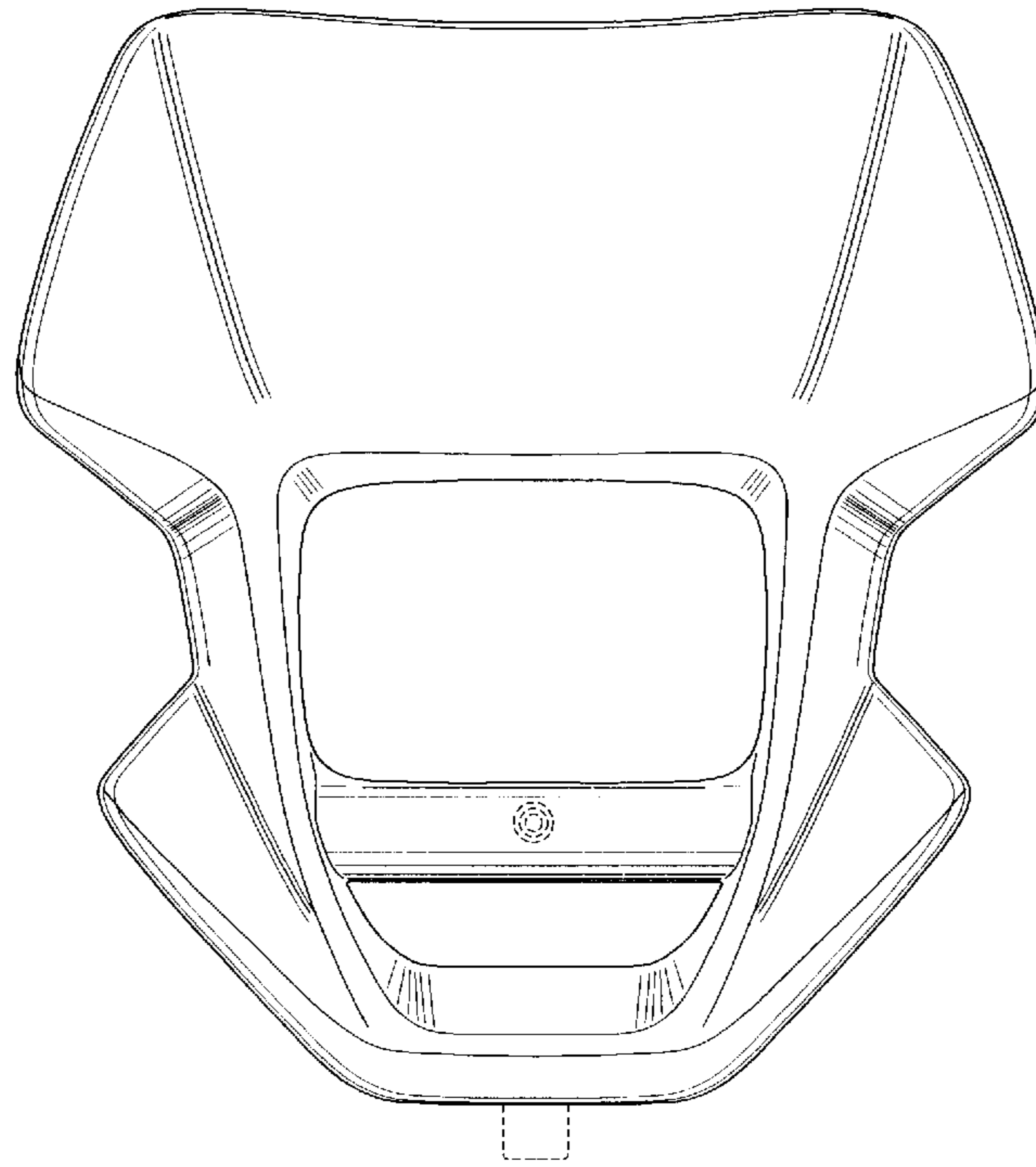


FIG.2

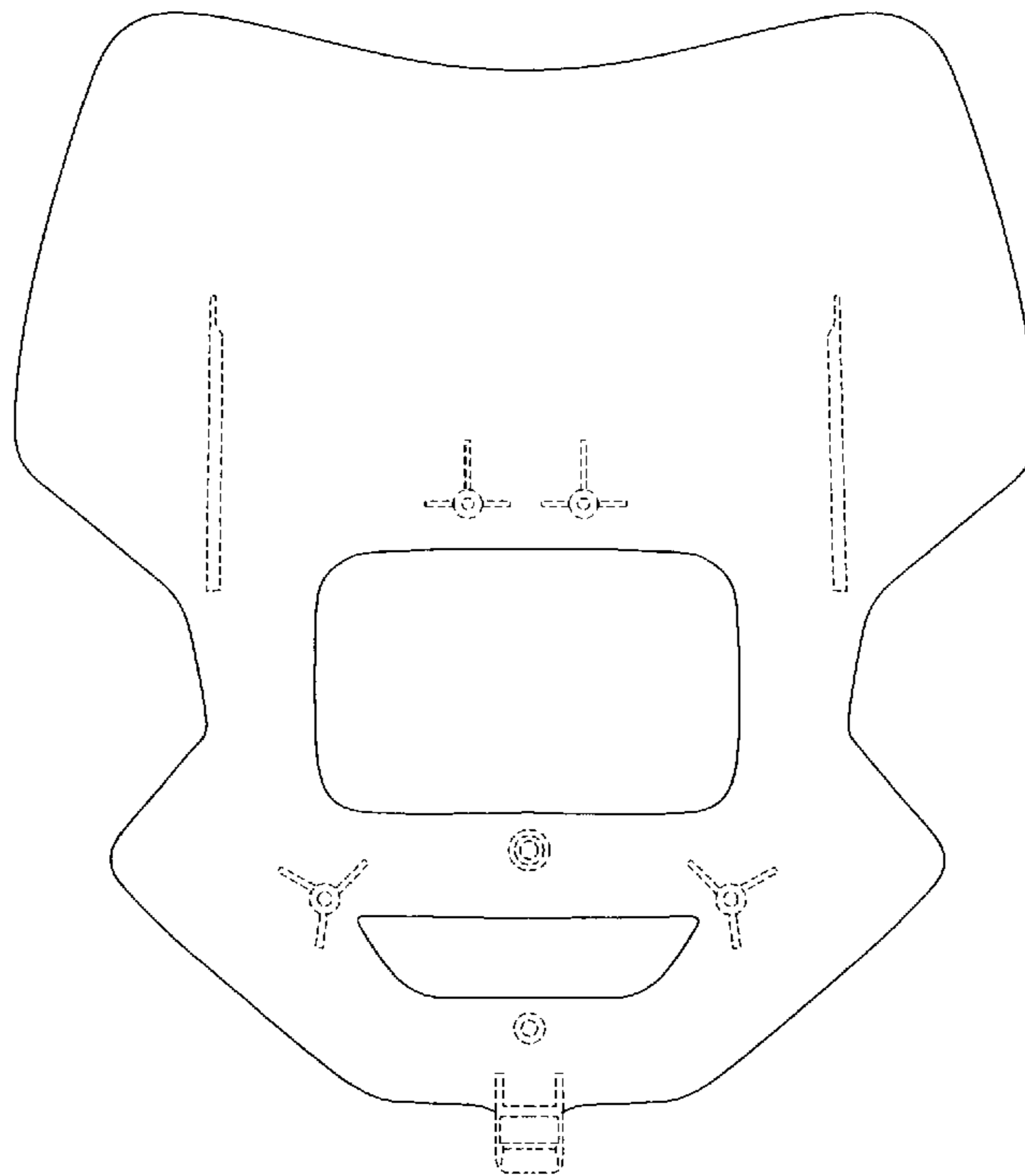


FIG.3

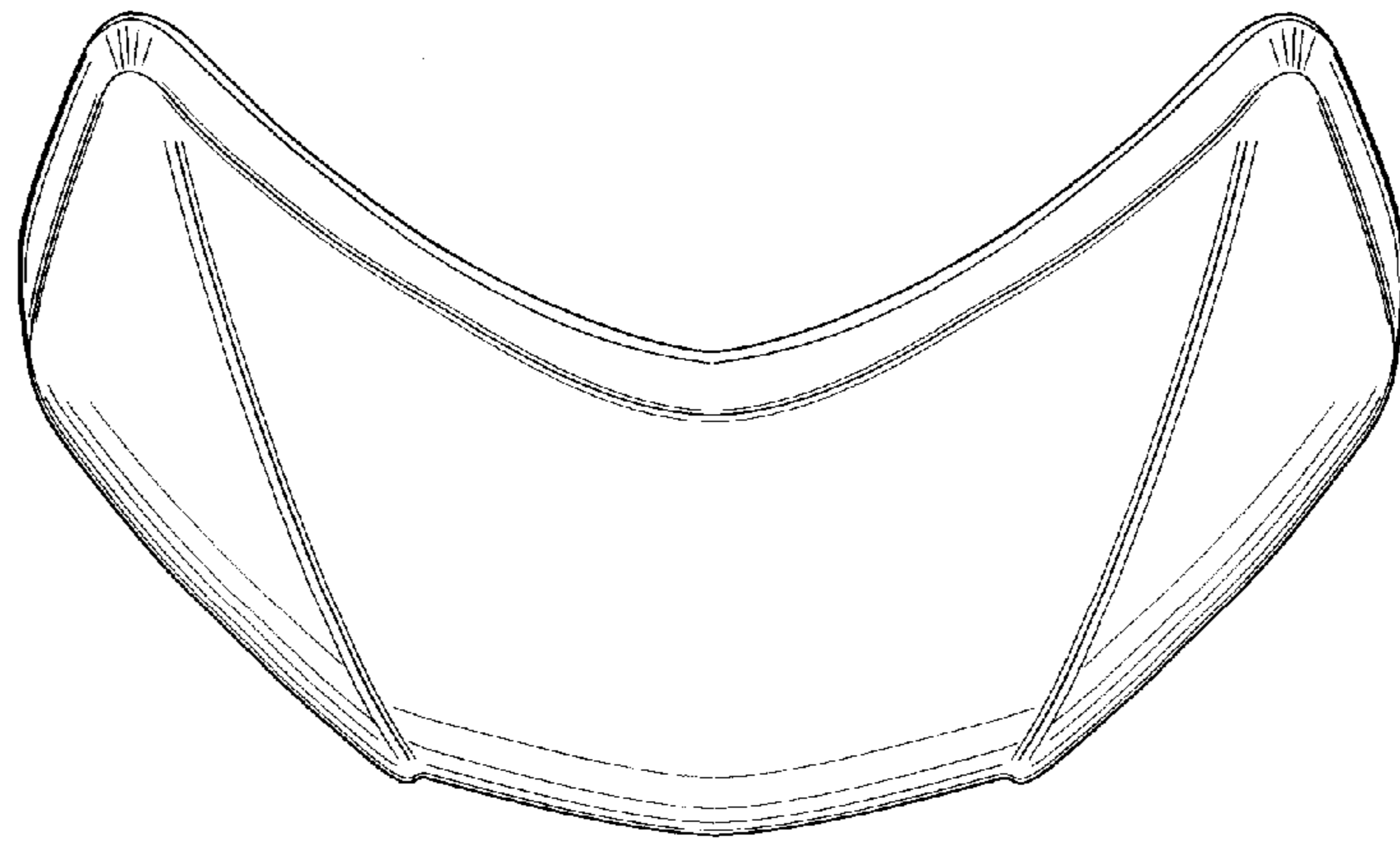


FIG.4

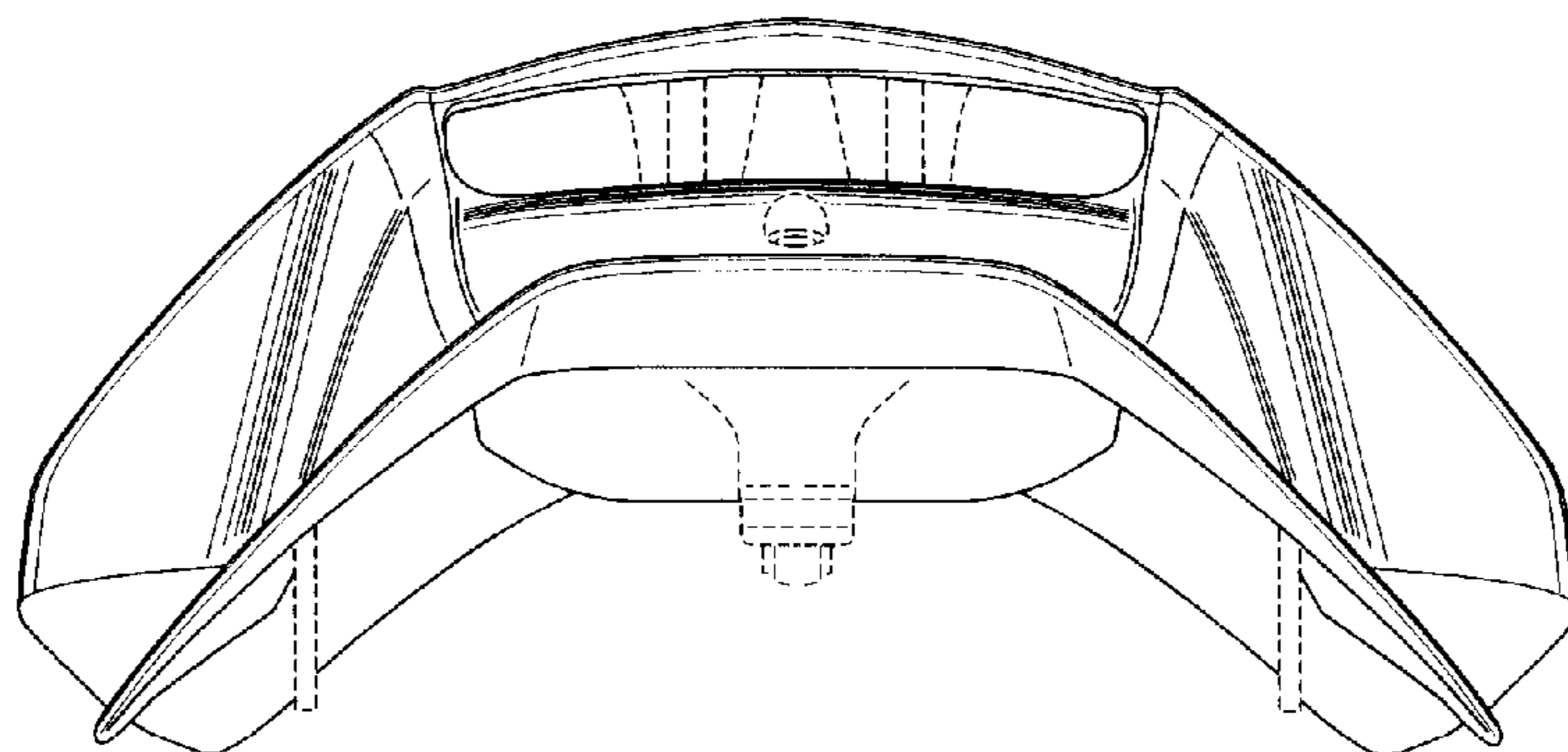


FIG.5

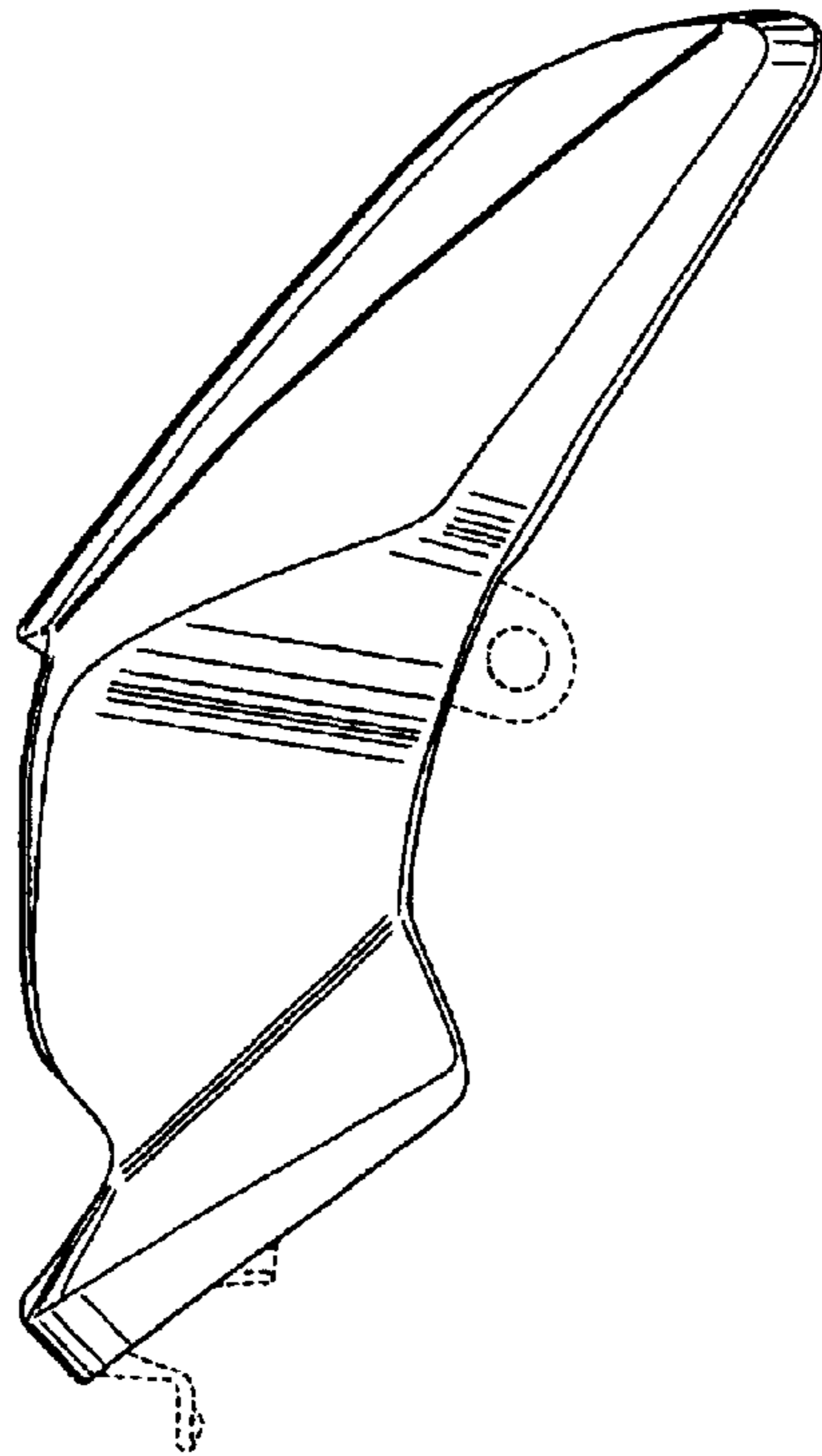


FIG.6

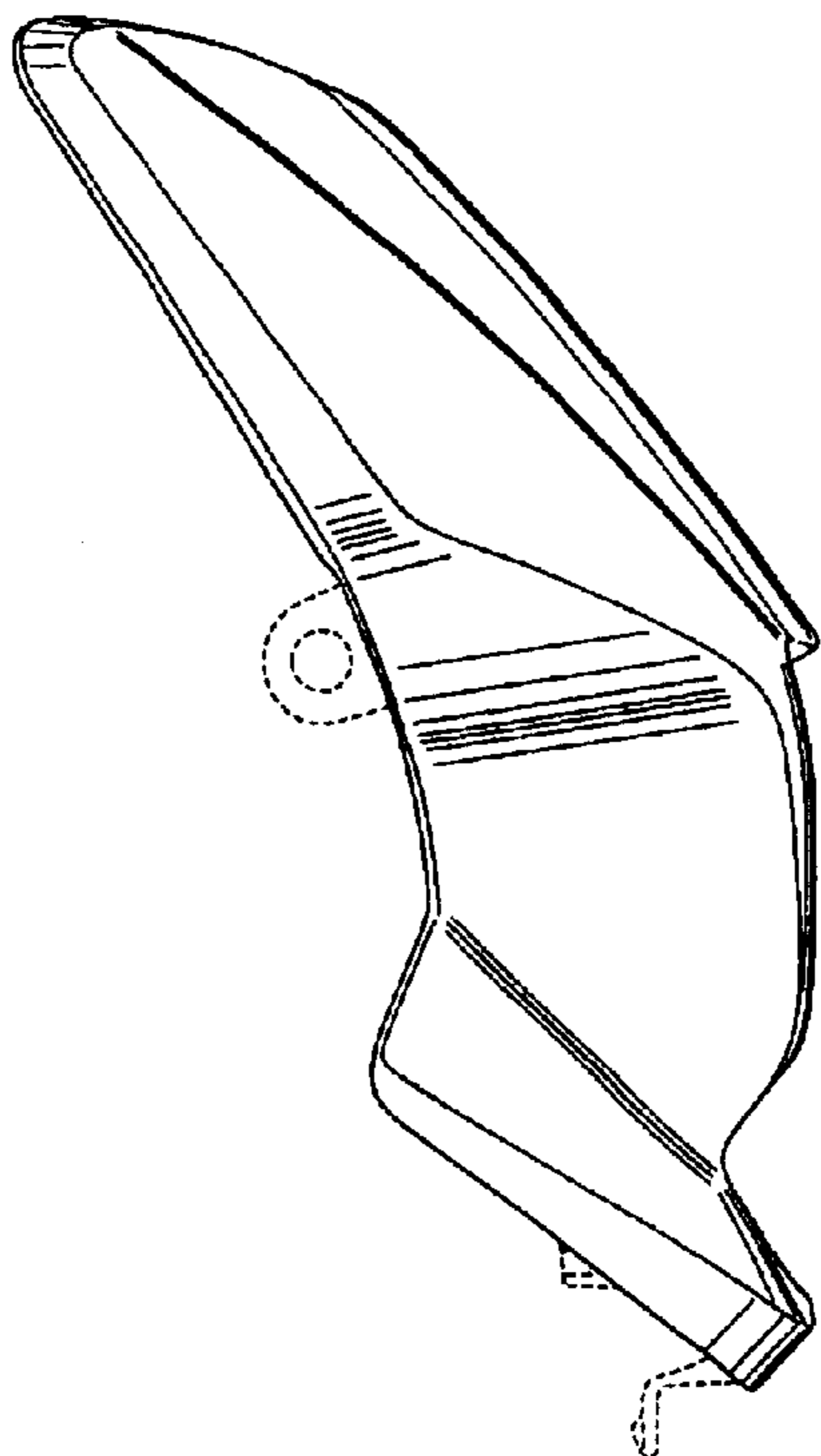


FIG.7

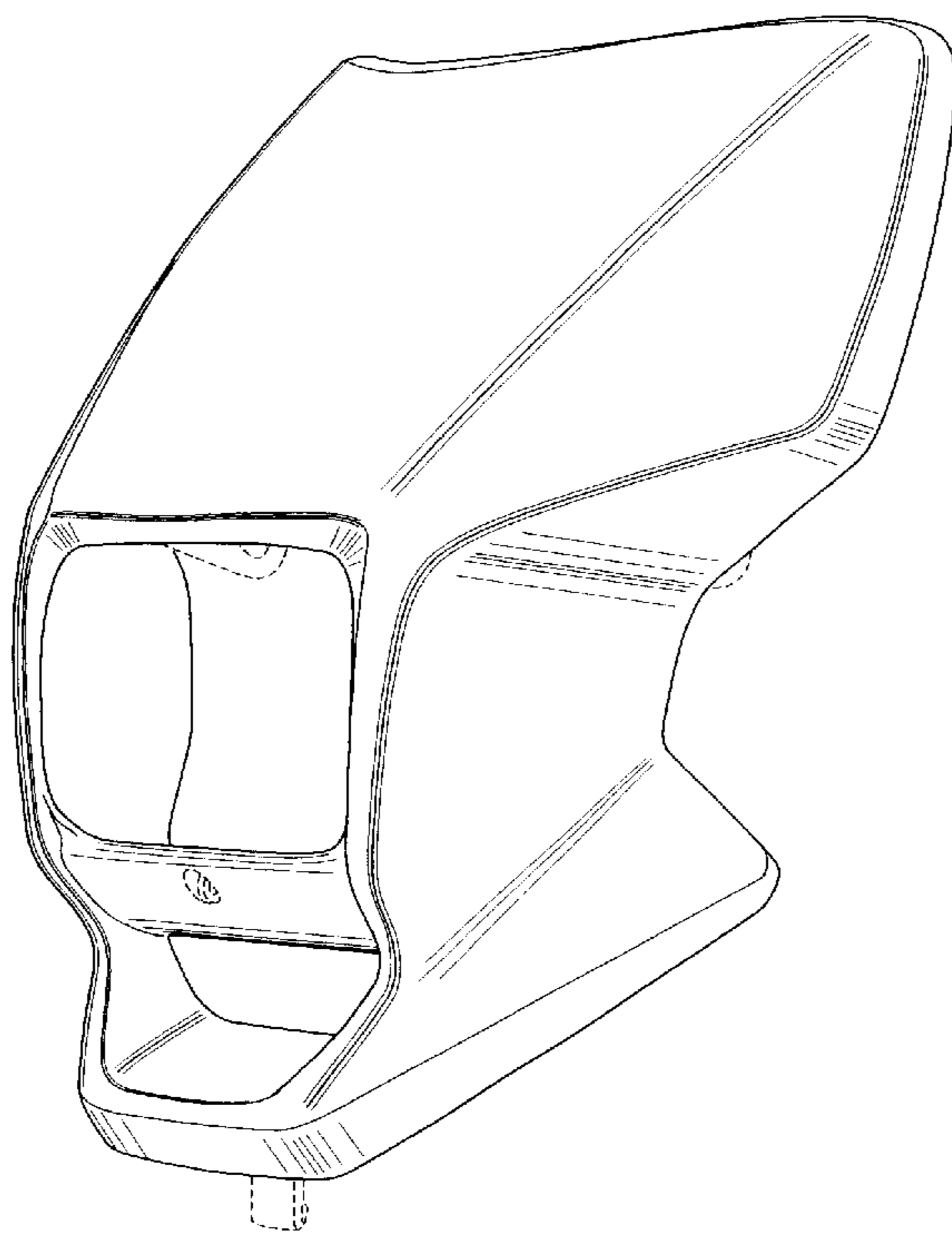


FIG.8

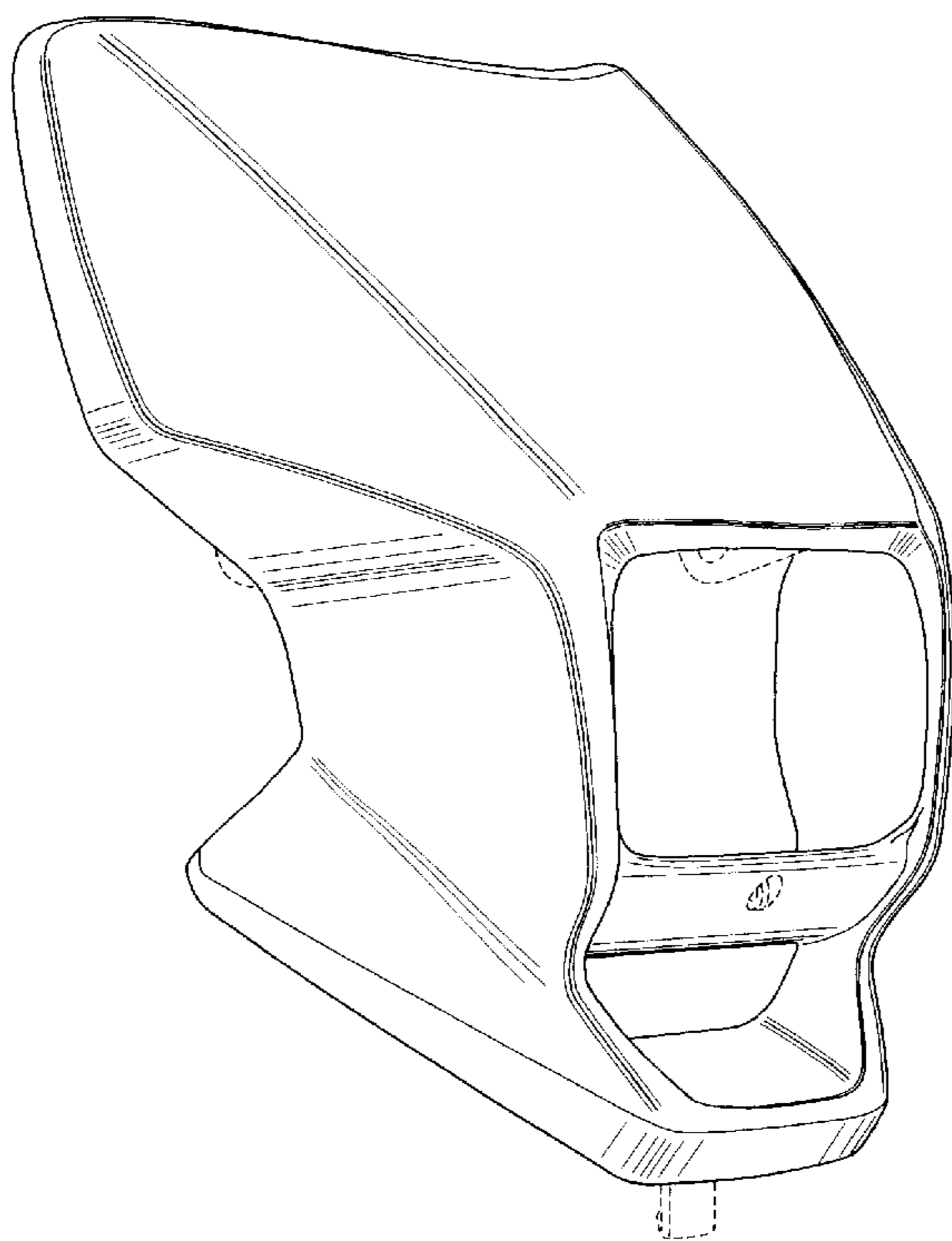


FIG.9

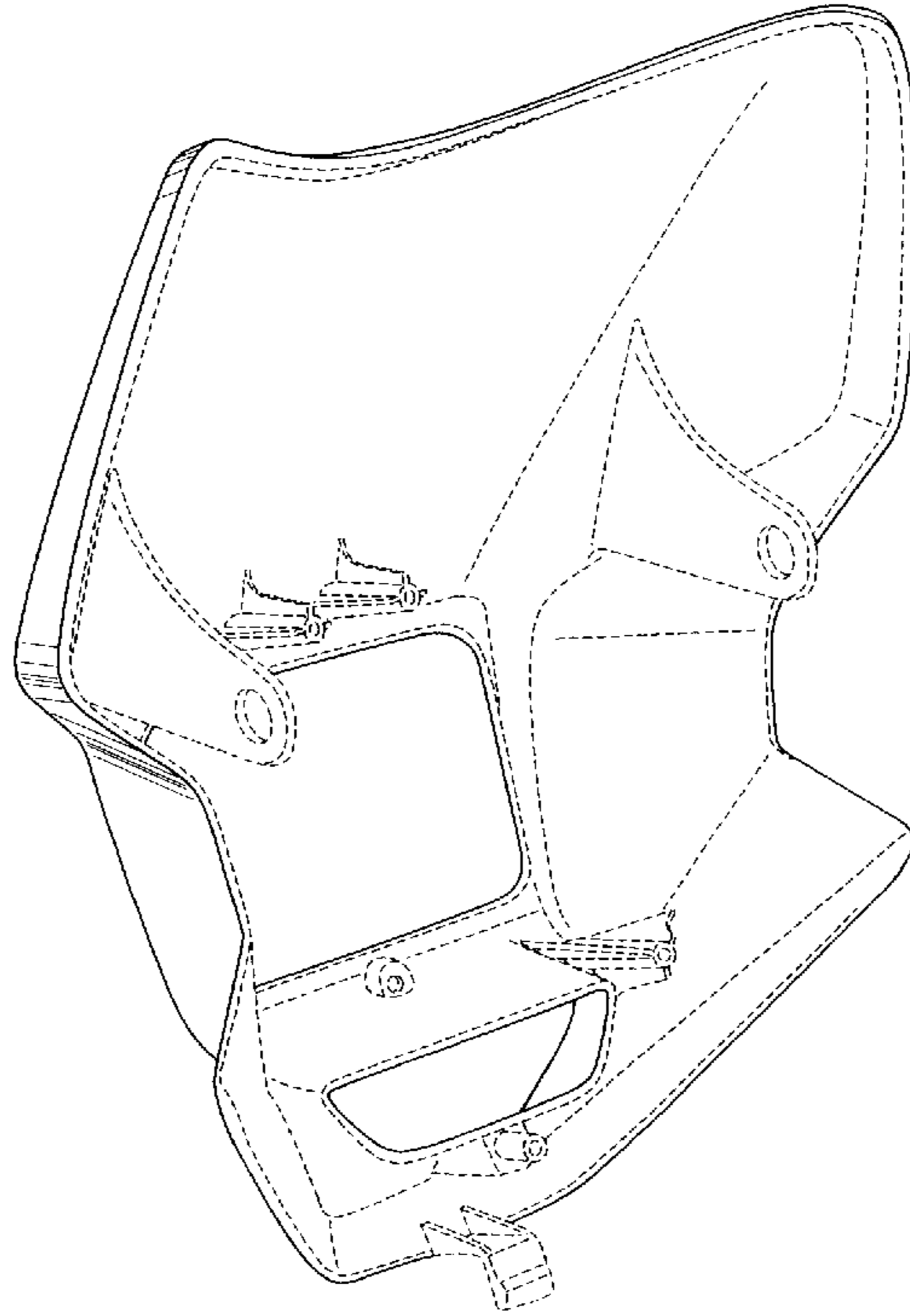


FIG.10

