



US00D533489S

(12) **United States Design Patent**
Tokumoto

(10) **Patent No.:** **US D533,489 S**

(45) **Date of Patent:** **** Dec. 12, 2006**

(54) **BICYCLE GRIP SHIFT CONTROL DEVICE**

(75) Inventor: **Naoya Tokumoto**, Sakai (JP)

(73) Assignee: **Shimano Inc.**, Osaka (JP)

(**) Term: **14 Years**

(21) Appl. No.: **29/236,892**

(22) Filed: **Aug. 24, 2005**

(30) **Foreign Application Priority Data**

Mar. 8, 2005 (JP) 2005-006658

(51) **LOC (8) Cl.** **12-16**

(52) **U.S. Cl.** **D12/179**

(58) **Field of Classification Search** D12/111,
D12/179, 114, 177, 178; 74/488, 489, 551.8,
74/551.9, 473.13

See application file for complete search history.

(56) **References Cited**

PUBLICATIONS

Colorado Cyclist Early Fall 2000, SRAM Grip Shift ESP 9.0 Shifter and SRAM Grip Shift Attack Shifter on p. 15.*
Shimano Inc.; 2003 Bicycle Components Trade Sales & Support Manual; Catalog; SL-RS41 and SL-RS41A.

* cited by examiner

Primary Examiner—Alan P. Douglas

Assistant Examiner—Linda Brooks

(74) *Attorney, Agent, or Firm*—Global IP Counselors, LLP

(57) **CLAIM**

The ornamental design for a bicycle grip shift control device, as shown and described.

DESCRIPTION

FIG. 1 is a perspective view of the bicycle grip shift control device in accordance with my new design;

FIG. 2 is a first side elevational view of the bicycle grip shift control device in accordance with my new design of FIG. 1;

FIG. 3 is a second side elevational view of the bicycle grip shift control device in accordance with my new design of FIGS. 1 and 2;

FIG. 4 is a first axial end elevational view of the bicycle grip shift control device in accordance with my new design of FIGS. 1–3;

FIG. 5 is a second axial end elevational view of the bicycle grip shift control device in accordance with my design of FIGS. 1–4;

FIG. 6 is a top plan view of the bicycle grip shift control device in accordance with my design of FIGS. 1–5; and,

FIG. 7 is a bottom plan view of the bicycle grip shift control device in accordance with my new design of FIGS. 1–6.

1 Claim, 7 Drawing Sheets

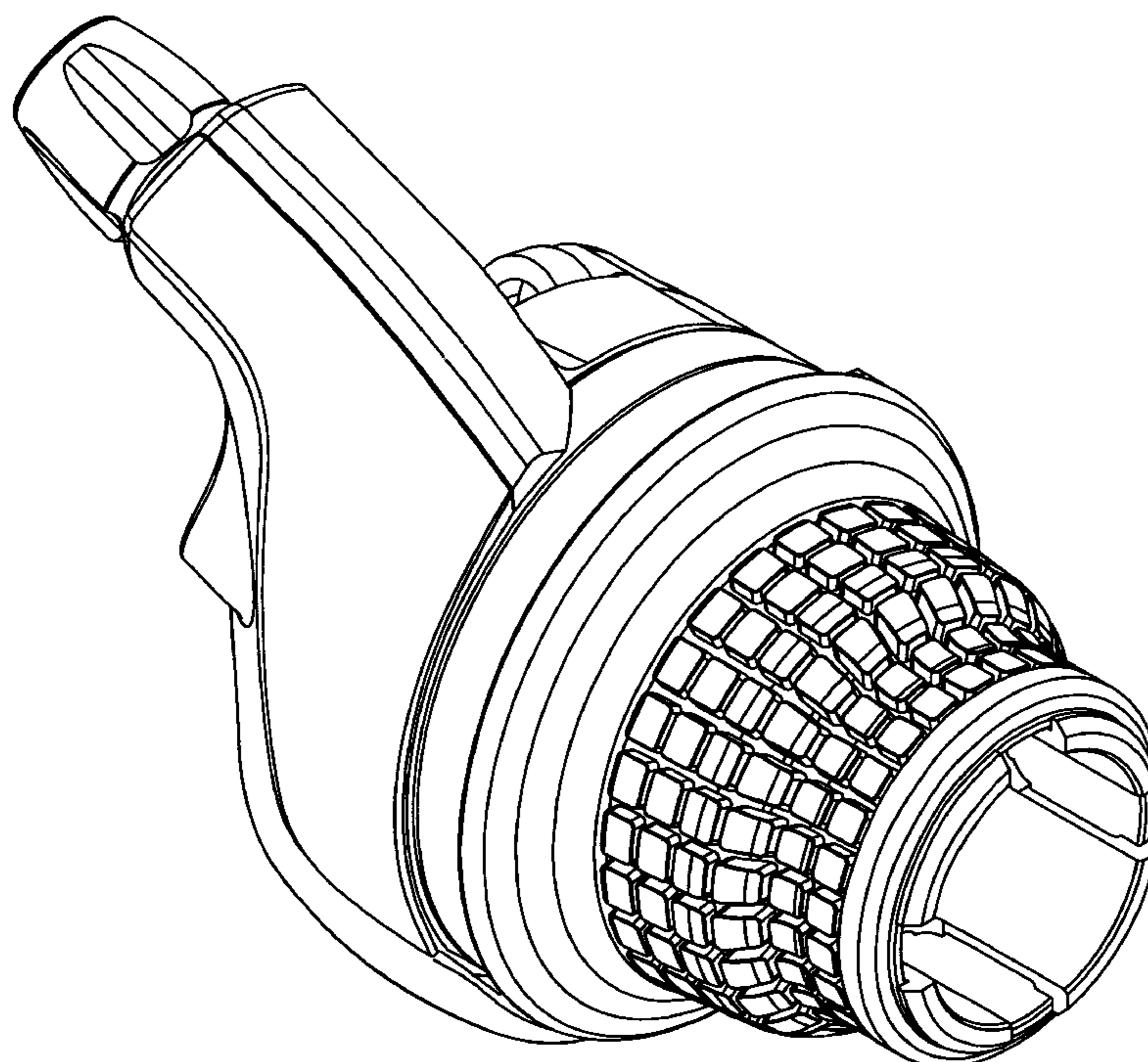
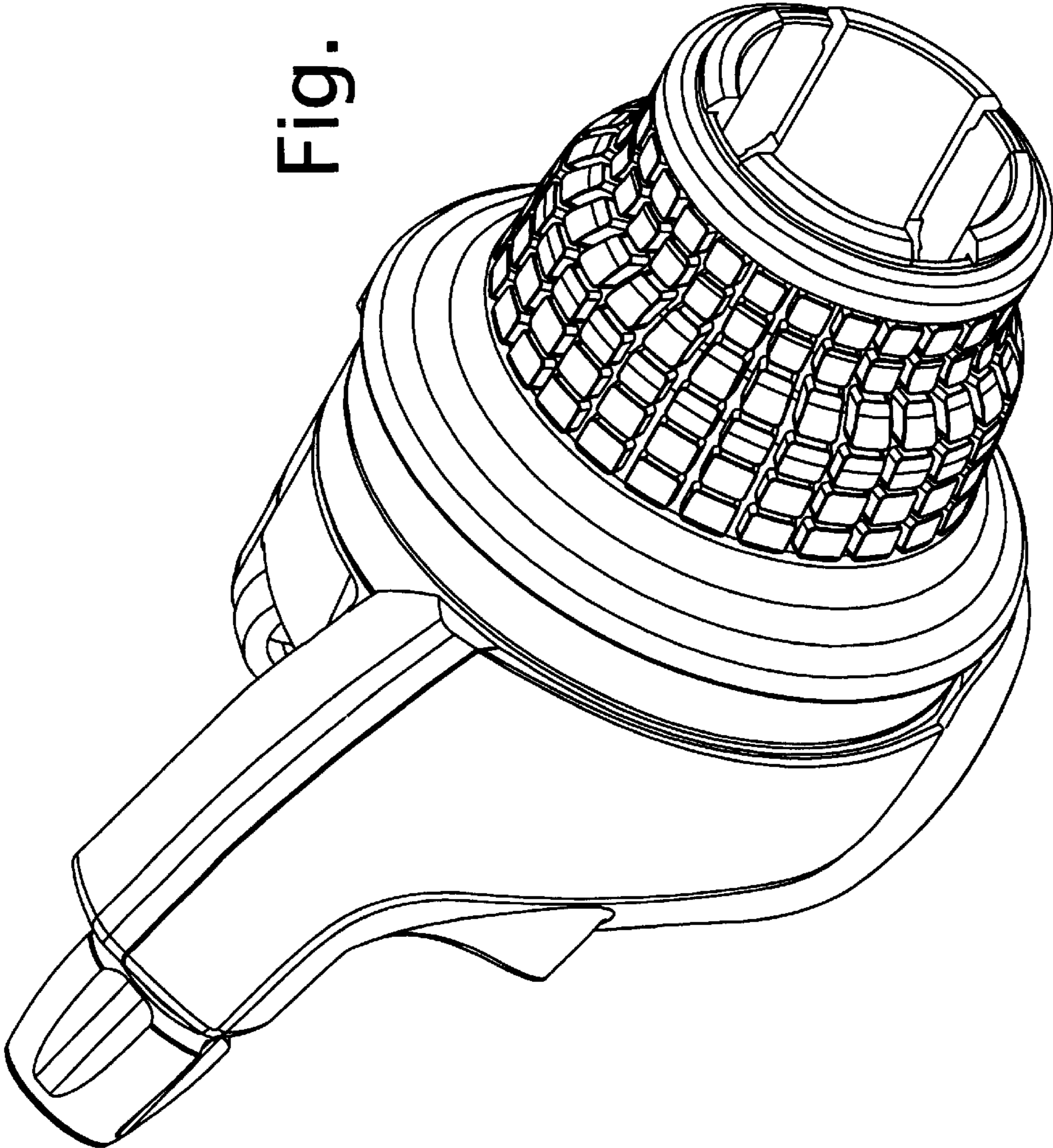


Fig. 1



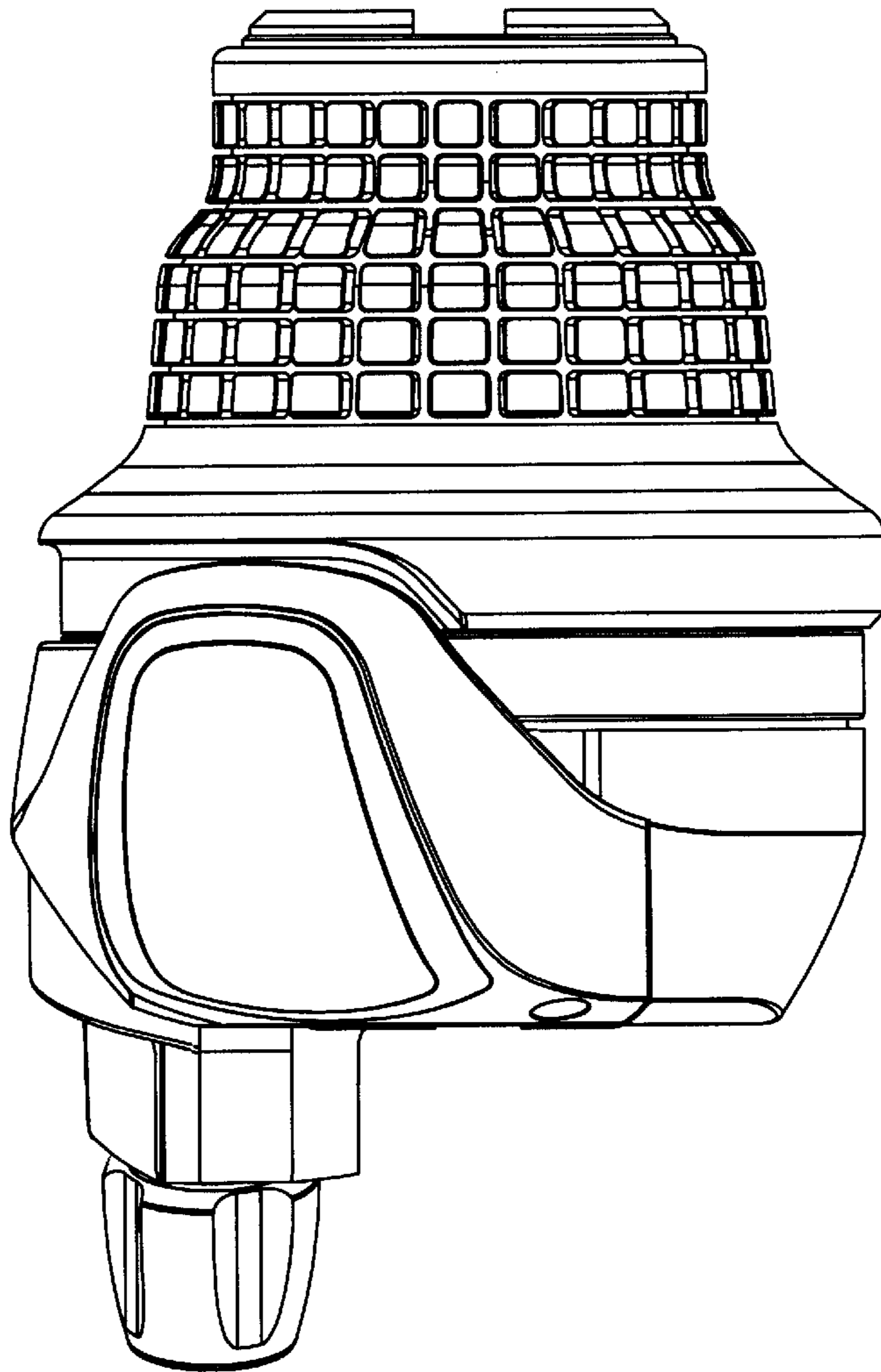


Fig. 2

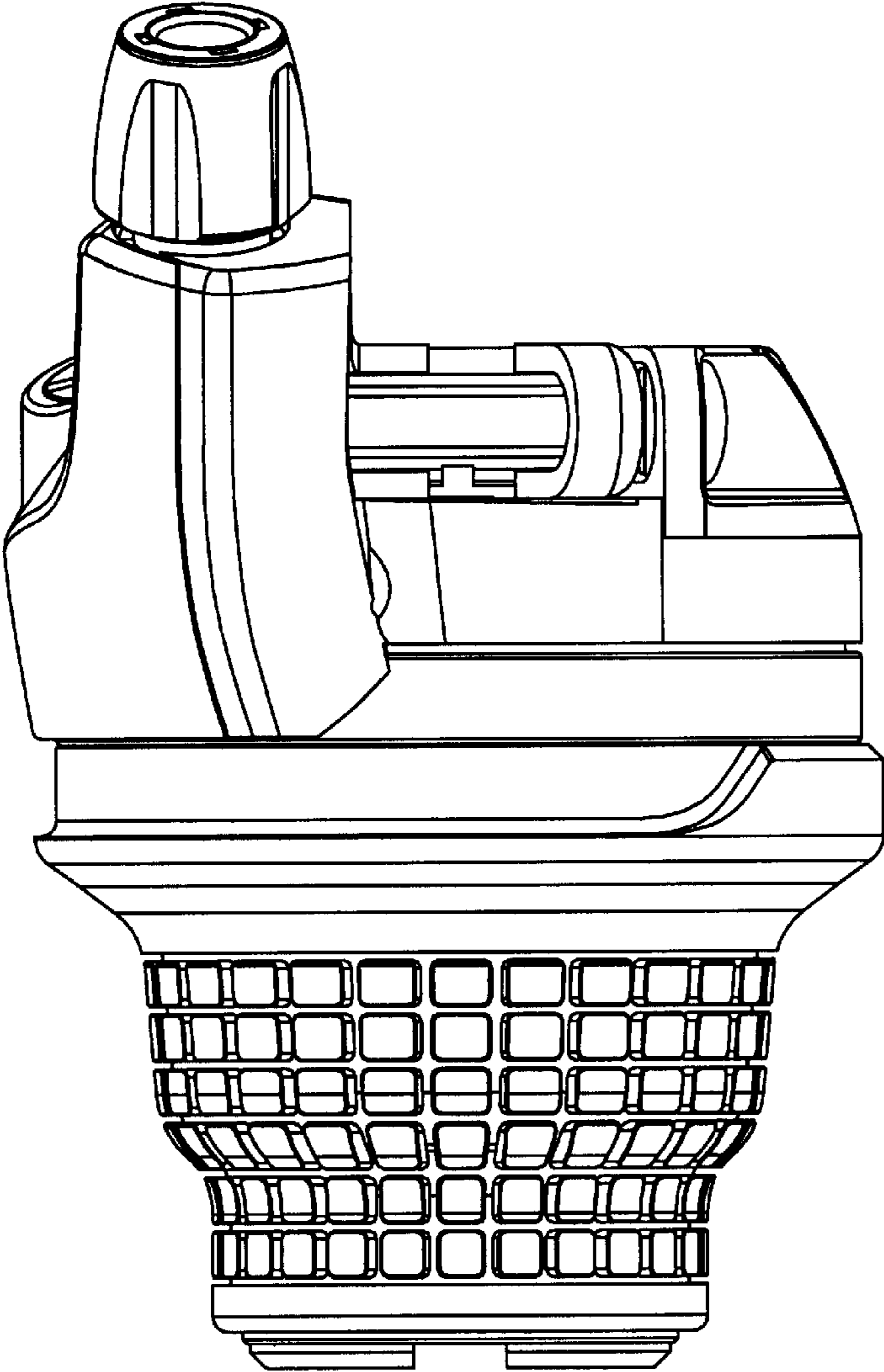


Fig. 3

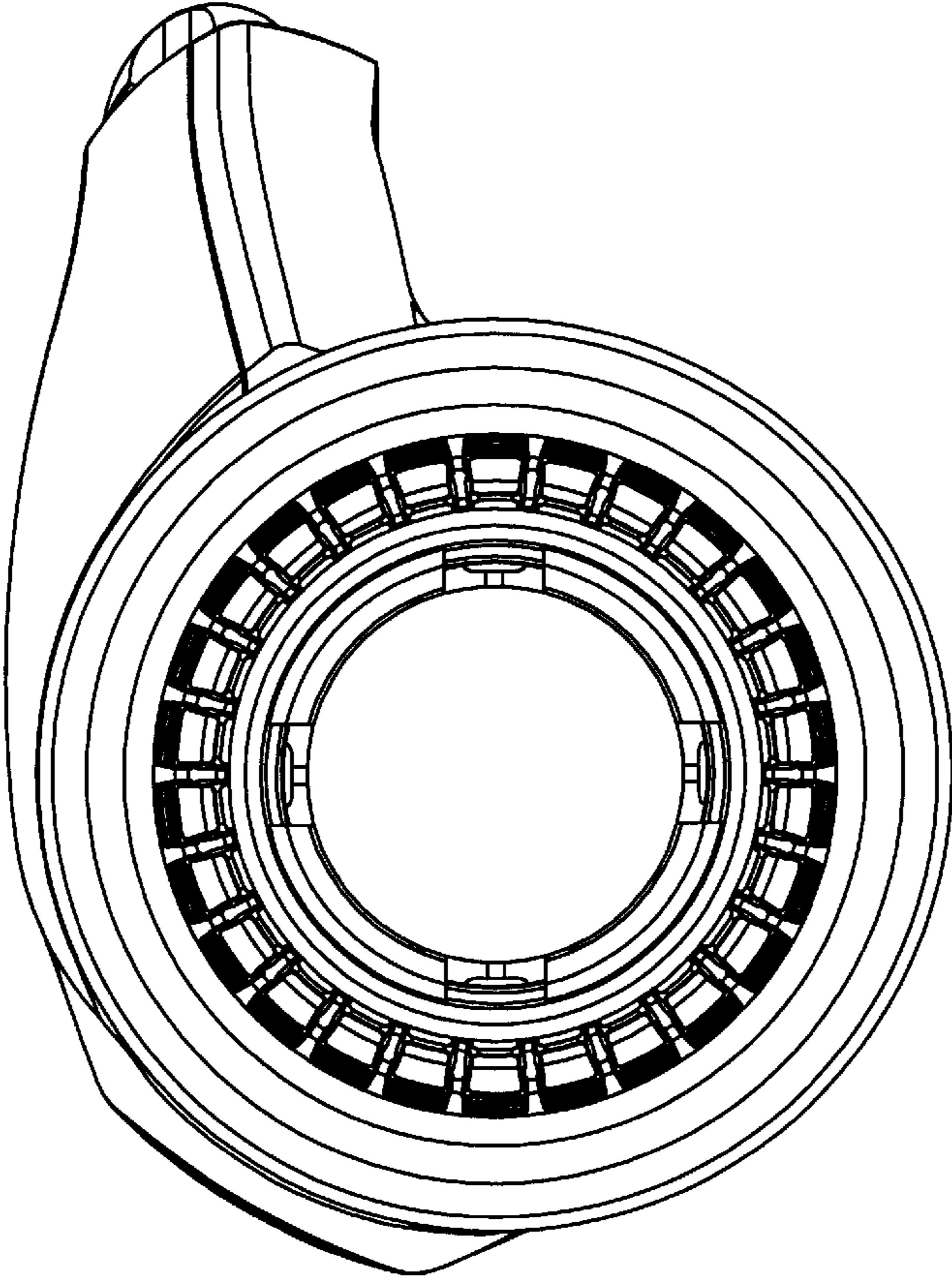


Fig. 4

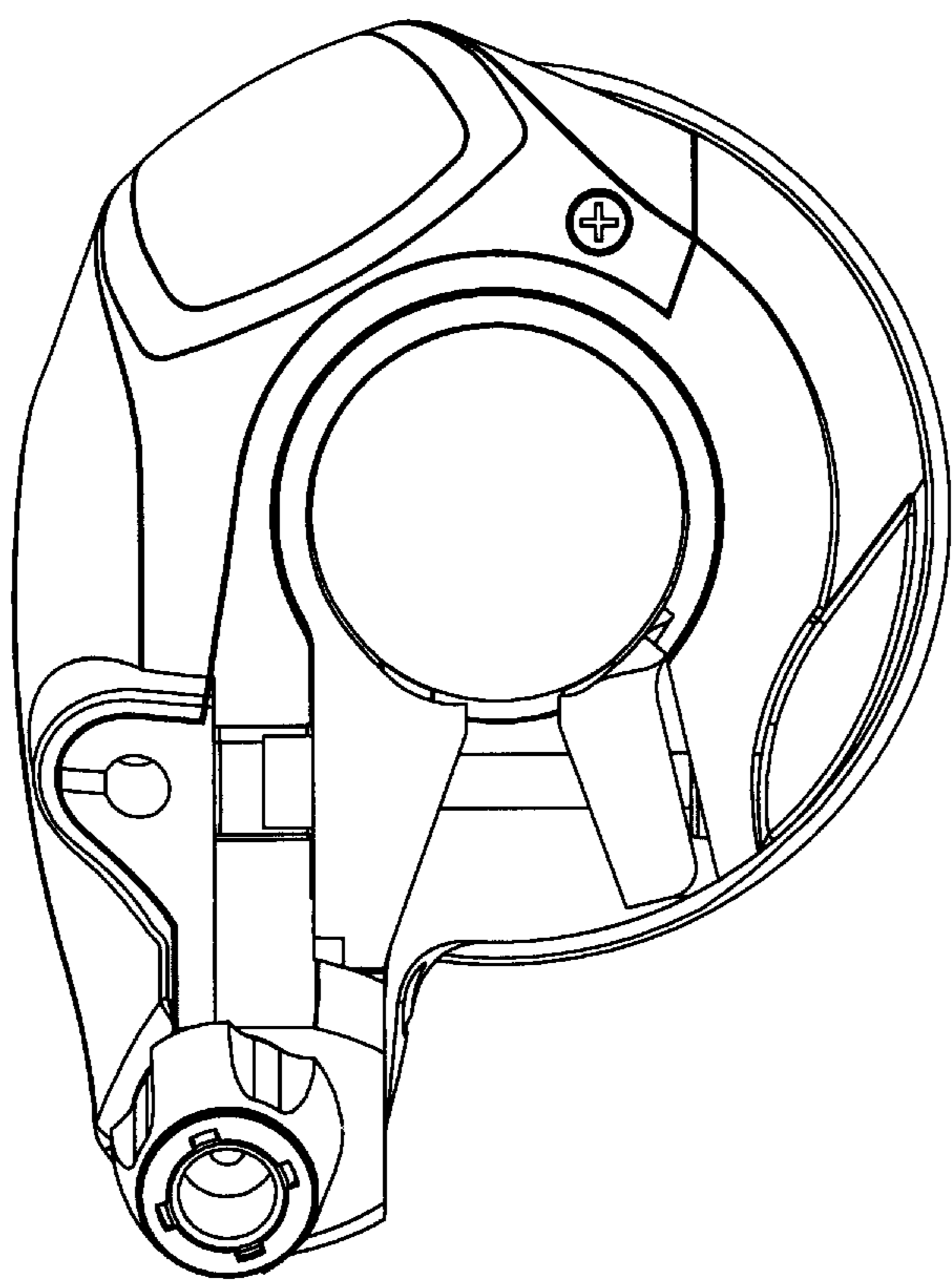


Fig. 5

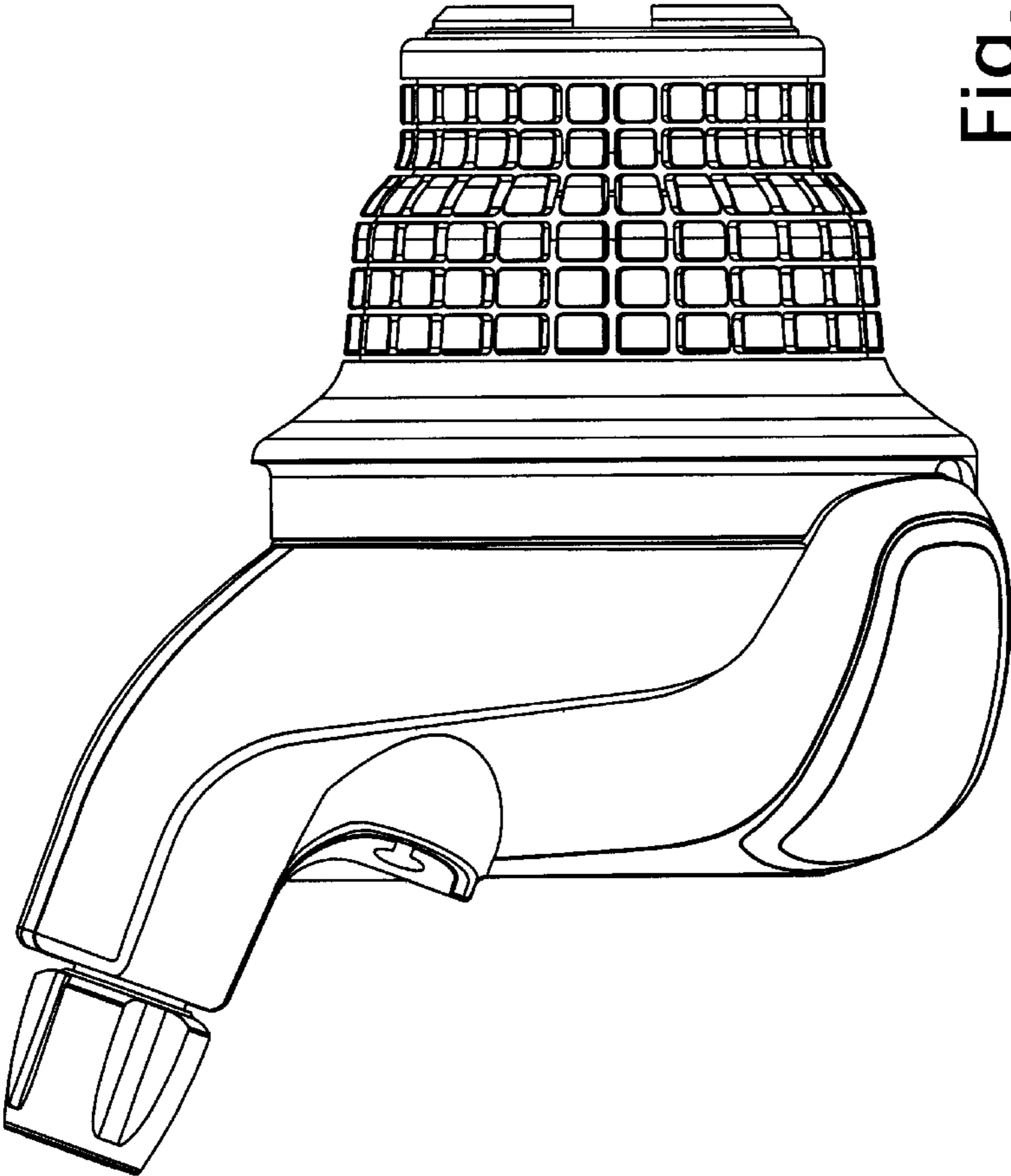


Fig. 6

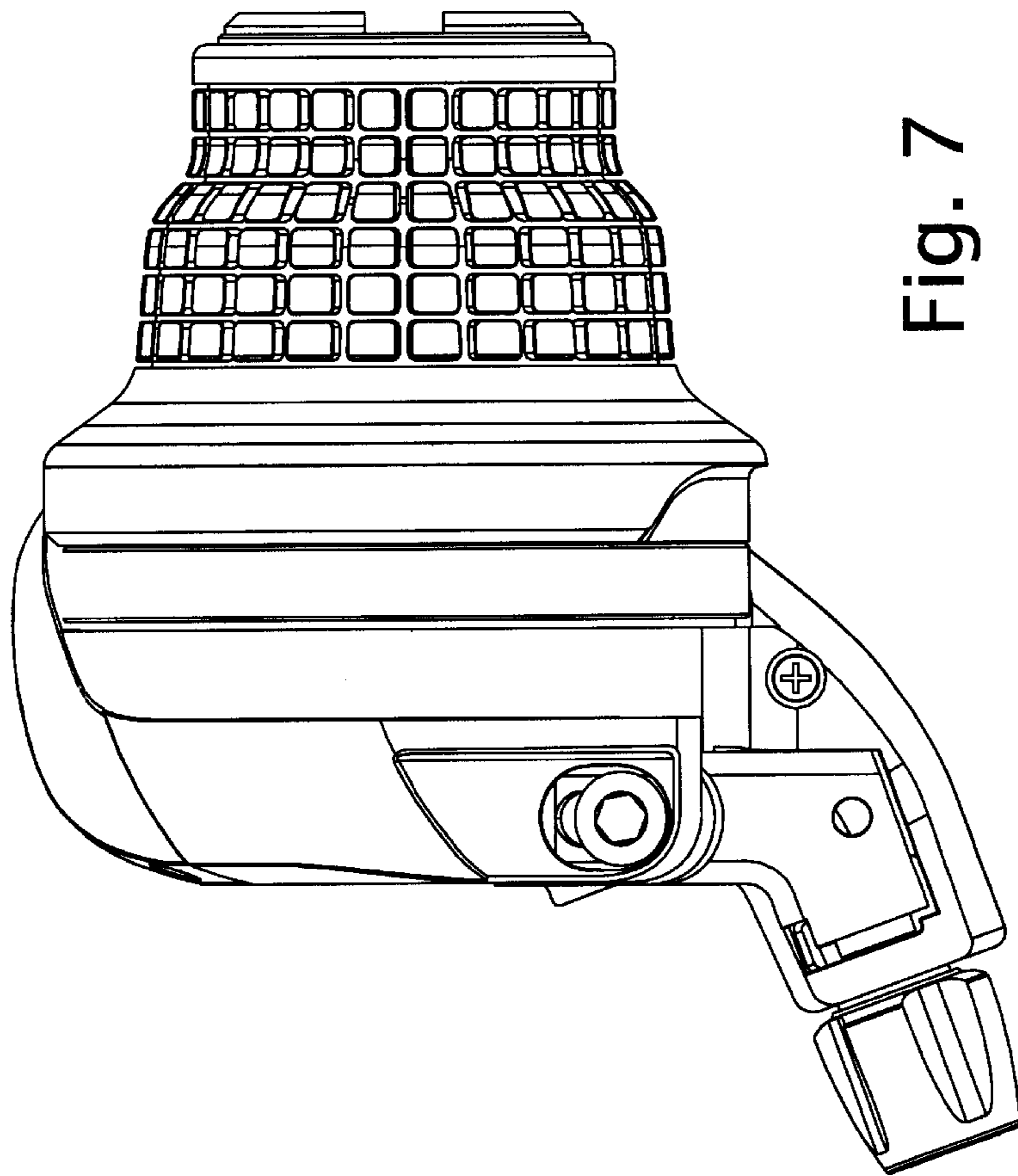


Fig. 7