

US00D533484S

(12) **United States Design Patent**
Behmer et al.

(10) **Patent No.:** **US D533,484 S**

(45) **Date of Patent:** **** Dec. 12, 2006**

(54) **AUTOMOBILE GRILLE**

(75) Inventors: **Darrell Behmer**, Novi, MI (US); **Doyle Letson**, Novi, MI (US); **Richard Gresens**, Grosse Pointe Farms, MI (US)

(73) Assignee: **Ford Global Technologies, LLC**, Dearborn, MI (US)

(**) Term: **14 Years**

(21) Appl. No.: **29/218,257**

(22) Filed: **Nov. 30, 2004**

(51) **LOC (8) Cl.** **12-16**

(52) **U.S. Cl.** **D12/163**

(58) **Field of Classification Search** D12/163,
D12/171, 90-92, 216, 169, 196; 180/68.1,
180/68.6; 296/194

See application file for complete search history.

(56) **References Cited**

U.S. PATENT DOCUMENTS

D452,837 S * 1/2002 Kitamura et al. D12/163

D479,166 S * 9/2003 Tanaka et al. D12/163
D491,117 S * 6/2004 Hayashi D12/163
D494,513 S * 8/2004 Ito D12/163
D498,443 S * 11/2004 Koyama et al. D12/169

* cited by examiner

Primary Examiner—Melody N. Brown

(74) *Attorney, Agent, or Firm*—Damian Porcari; Brooks Kushman P.C.

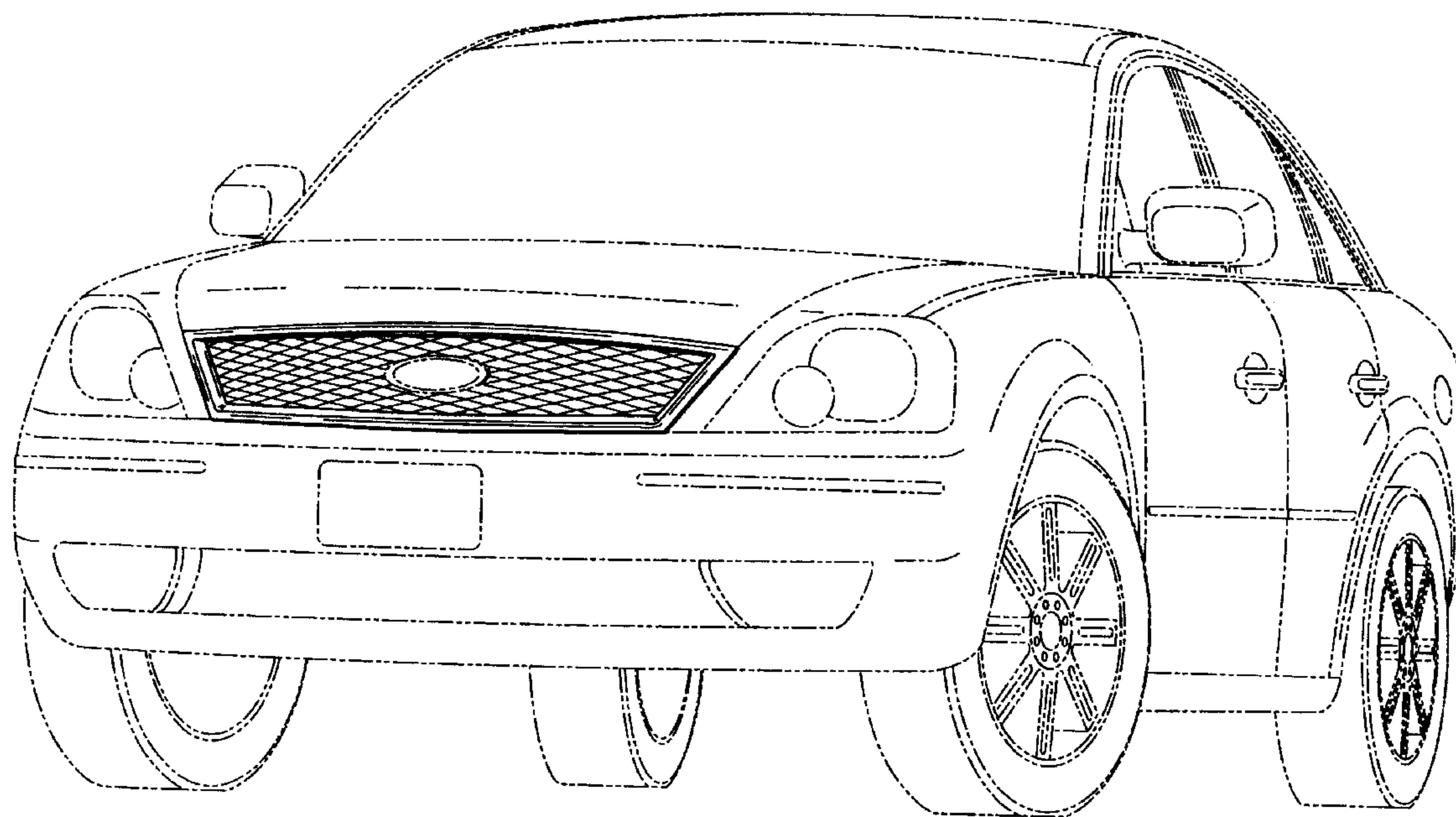
(57) **CLAIM**

The ornamental design for an automobile grille, as shown and described.

DESCRIPTION

FIG. 1 is a perspective view of the automobile grille thereof; FIG. 2 is a front view thereof; FIG. 3 is a top plan view thereof; and, FIG. 4 is a left side elevational view, the right side being a mirror image thereof of the present invention. The broken lines are for illustrative purposes only and form no part of the claimed design.

1 Claim, 3 Drawing Sheets



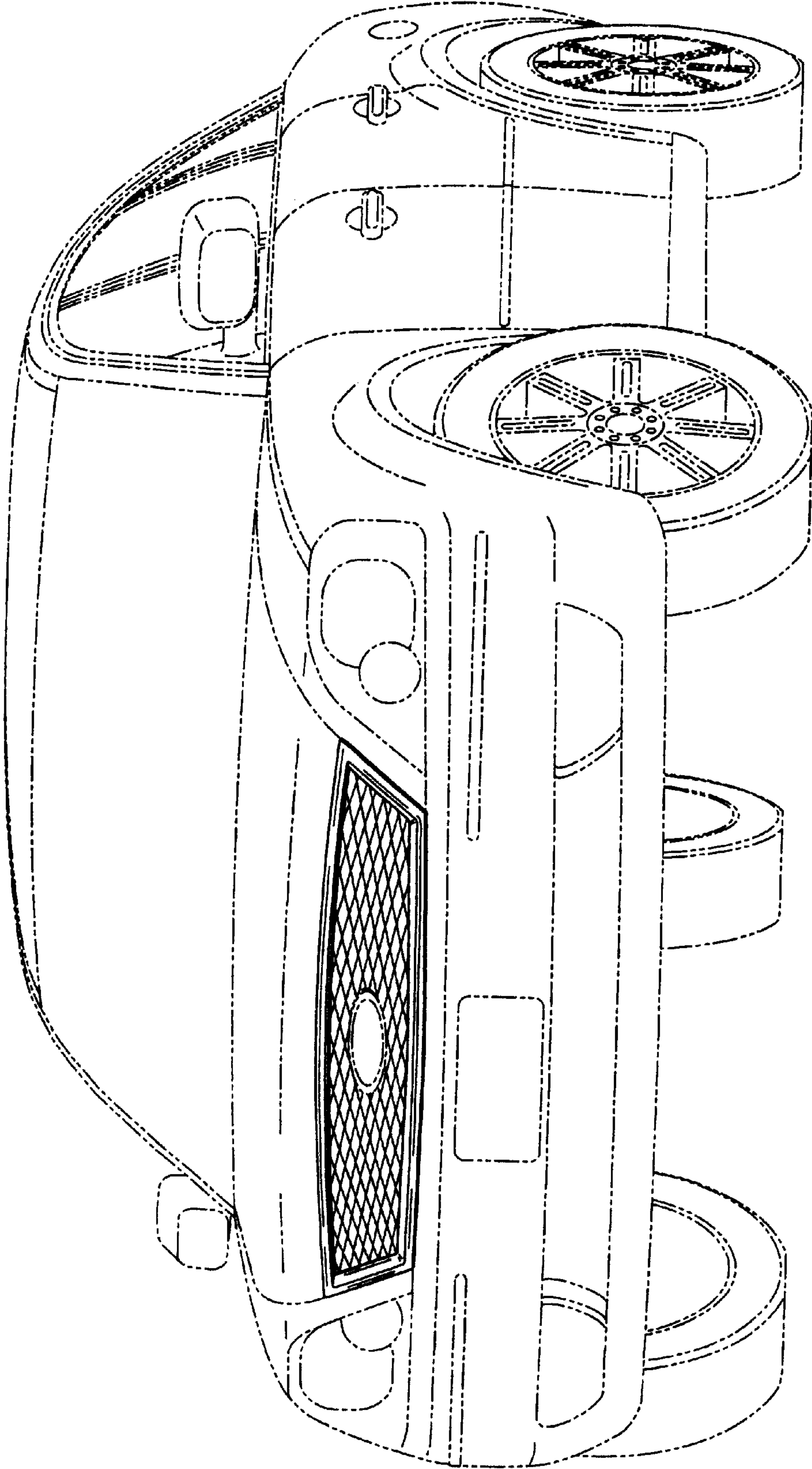


Fig. 1

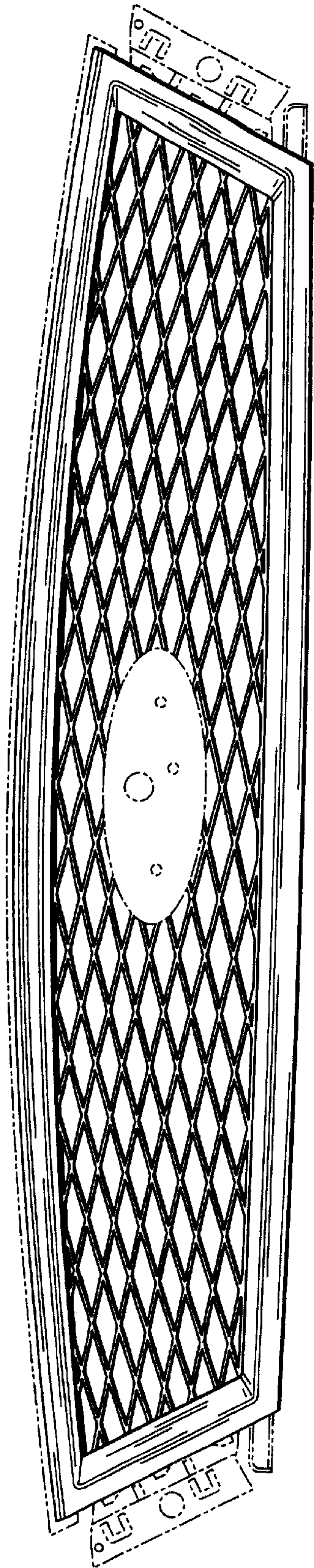


Fig. 2

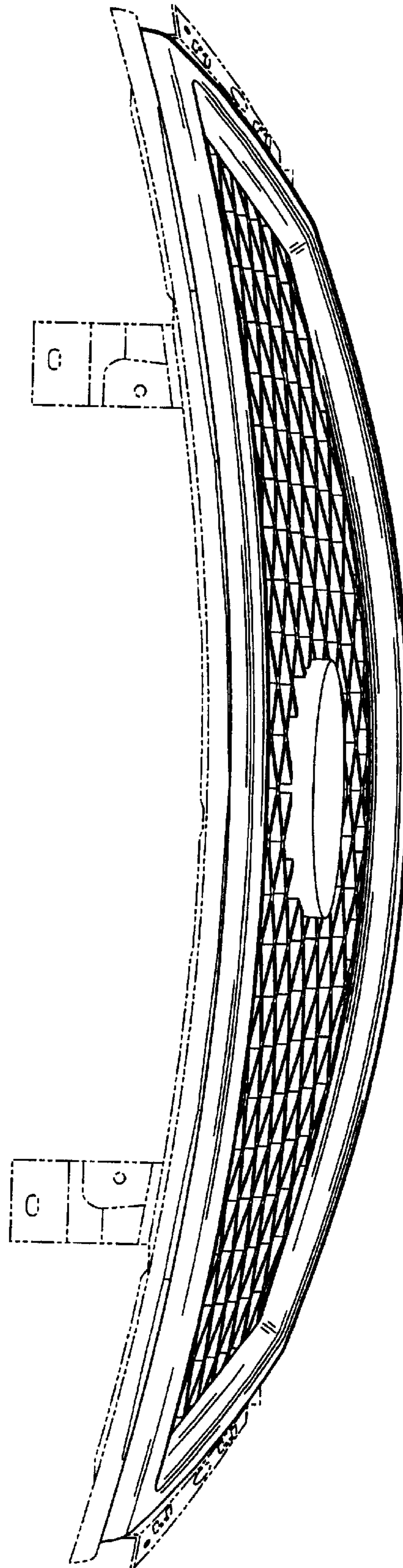


Fig. 4

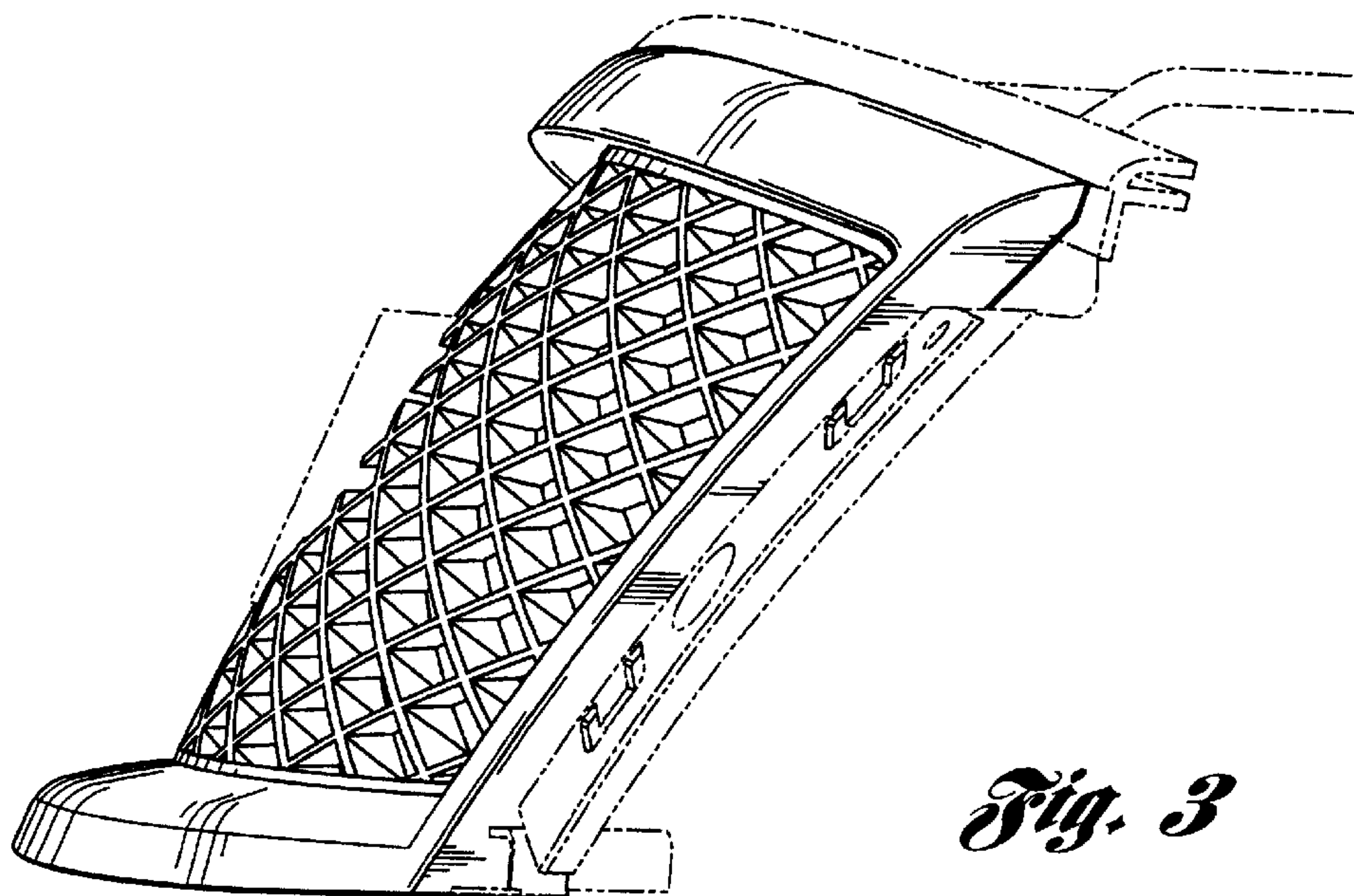


Fig. 3